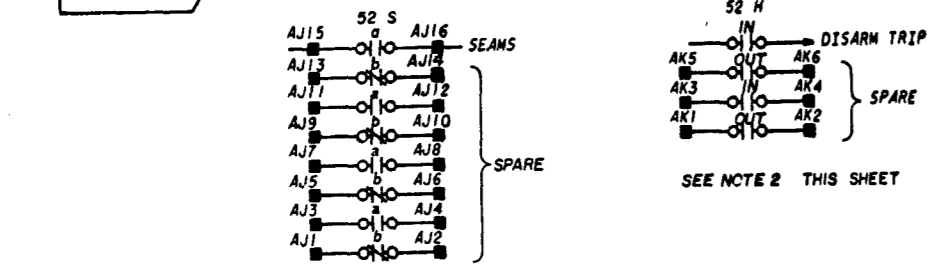
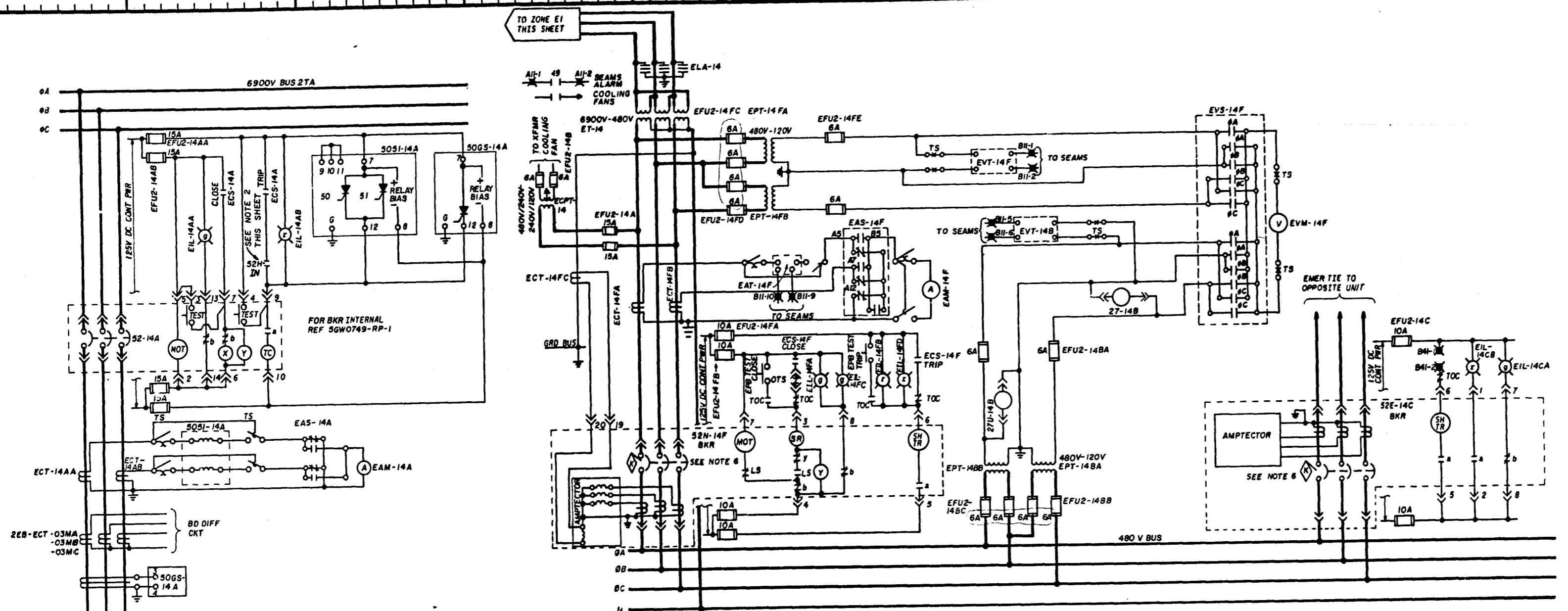


NOTES:  
1. FOR SYMBOLS AND ADDITIONAL NOTES SEE SHEET 01.  
2. 52H CONTACTS ARE SHOWN IN THEIR OPEN POSITION AND THEIR DESIGNATION IS SUFFIXED WITH IN OR -OUT TO INDICATE THEY ARE CLOSED WHEN THE BREAKER IS RACKED IN OR RACKED OUT RESPECTIVELY.

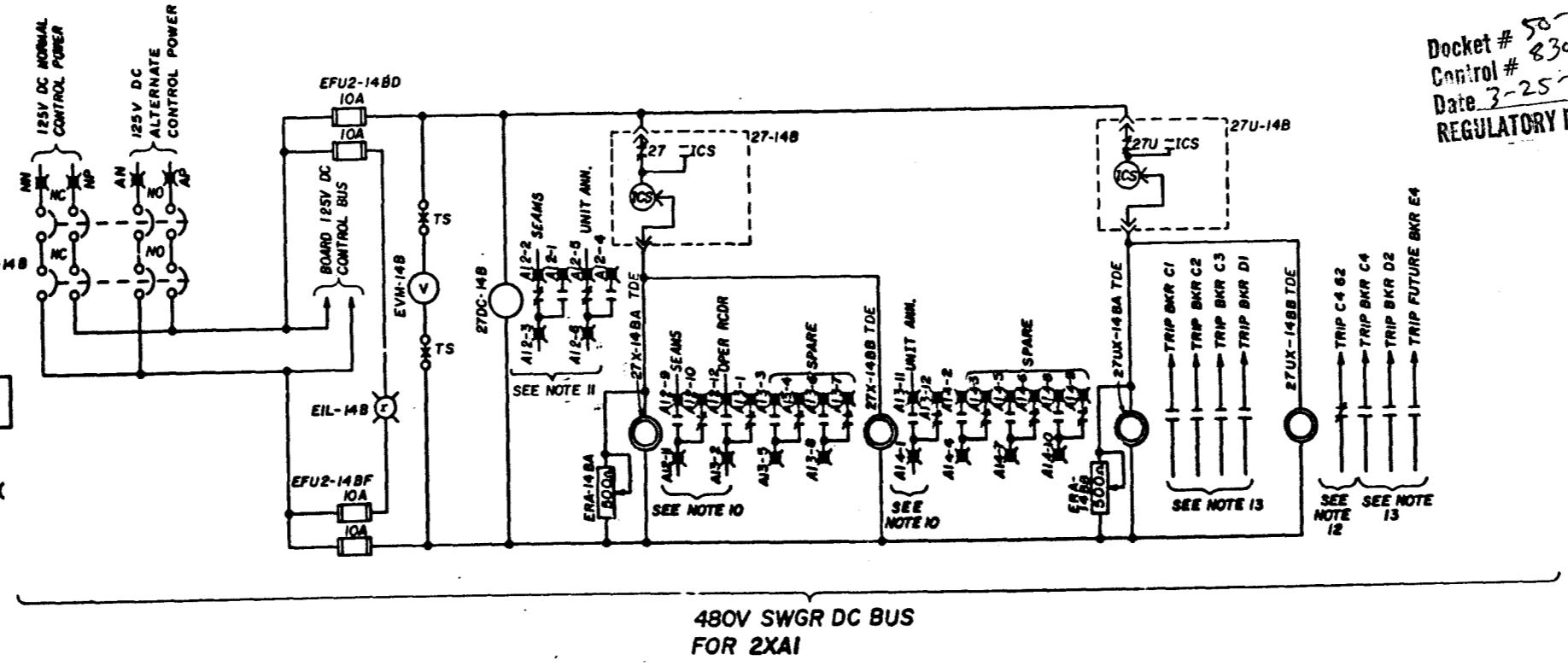
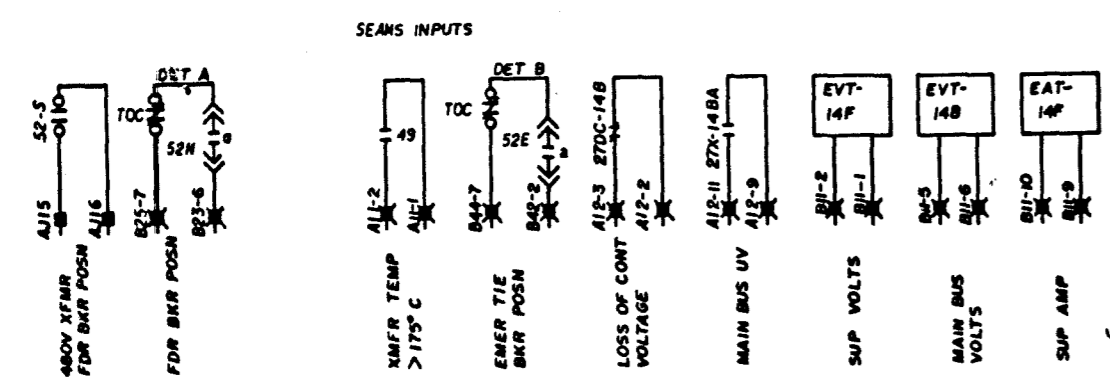
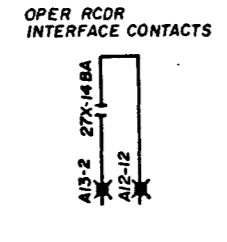
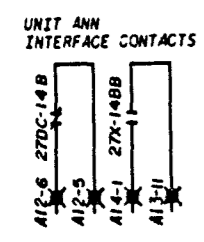
SYMBOLS:  
X - LOW VOLTAGE SWITCHGEAR TERMINAL  
■ - MEDIUM VOLTAGE SWITCHGEAR TERMINAL



6900V-480V TRANSFORMER FEEDER FOR 2XA1

480V SWGR SUPPLY BKR 52N FOR 2XA1

480V SWGR EMER TIE BKR 52E FOR 2XA1



Docket # 50-438  
Control # 8304050536  
Date 3-25-83 of Document  
REGULATORY DOCKET FILE



21133	32-21	2001	2001	2001	2001	2001	2001	2001	2001	2001	2001
REPLACED 3 AMP FUSES WITH 5 AMP FUSES											
MINOR CHANGES											
ISS	ECN NO.	DATE	ISSUED BY	DESIGNED BY	CHECKED BY	APPROVED BY	DATE	ISSUED BY	DESIGNED BY	CHECKED BY	APPROVED BY
ISS	1	2-21-79	W.D. Aldridge	W.D. Aldridge	W.D. Aldridge	W.D. Aldridge	2-21-79	W.D. Aldridge	W.D. Aldridge	W.D. Aldridge	W.D. Aldridge
SCALE: EXCEPT AS NOTED											
GENERAL UNIT 2											
SYSTEM SCHEMATIC 480V NORMAL AC AUXILIARY POWER DISTRIBUTION SYSTEM											
BELLEFONTE NUCLEAR PLANT TENNESSEE VALLEY AUTHORITY DIVISION OF ENGINEERING DESIGN											
SUBMITTED: W.D. Aldridge RECOMMENDED: [Signature] APPROVED: [Signature]											
INSPECTED AND APPROVED FOR ISSUE: [Signature]											
KNOXVILLE 3-22-79 88 E 86W2740-ED-13											

INSPECTED AND APPROVED FOR ISSUE

KNOXVILLE 3-22-79 88 E 86W2740-ED-13