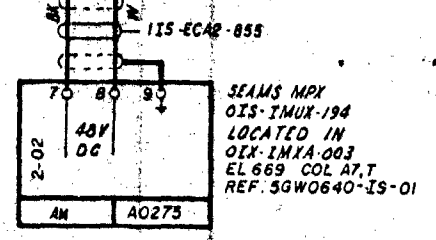
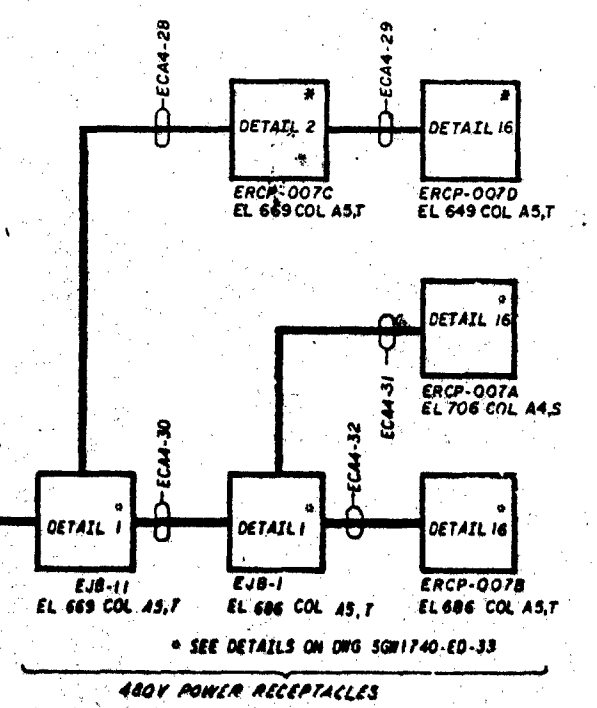
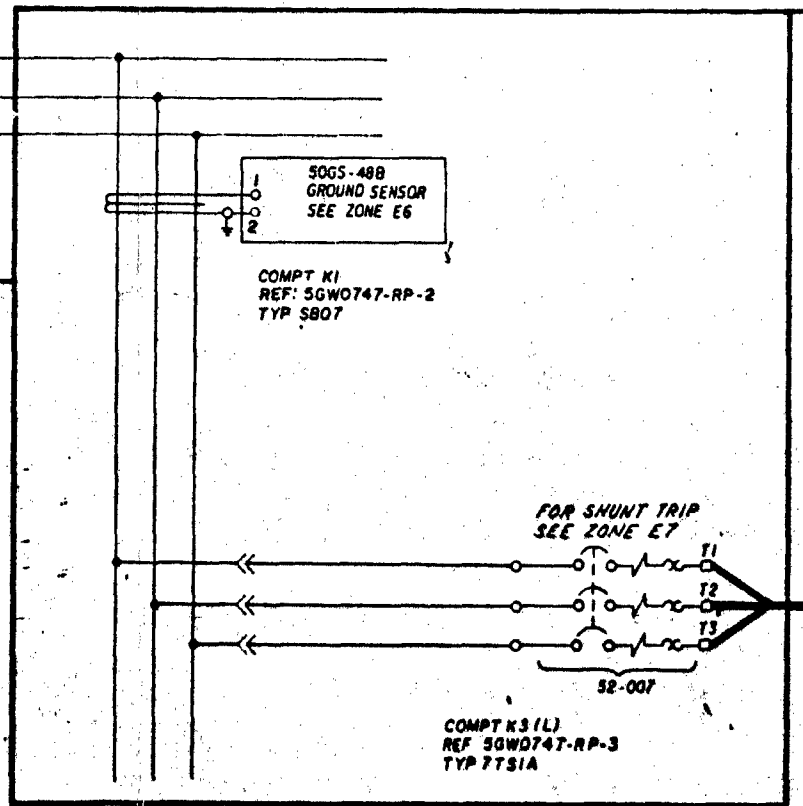
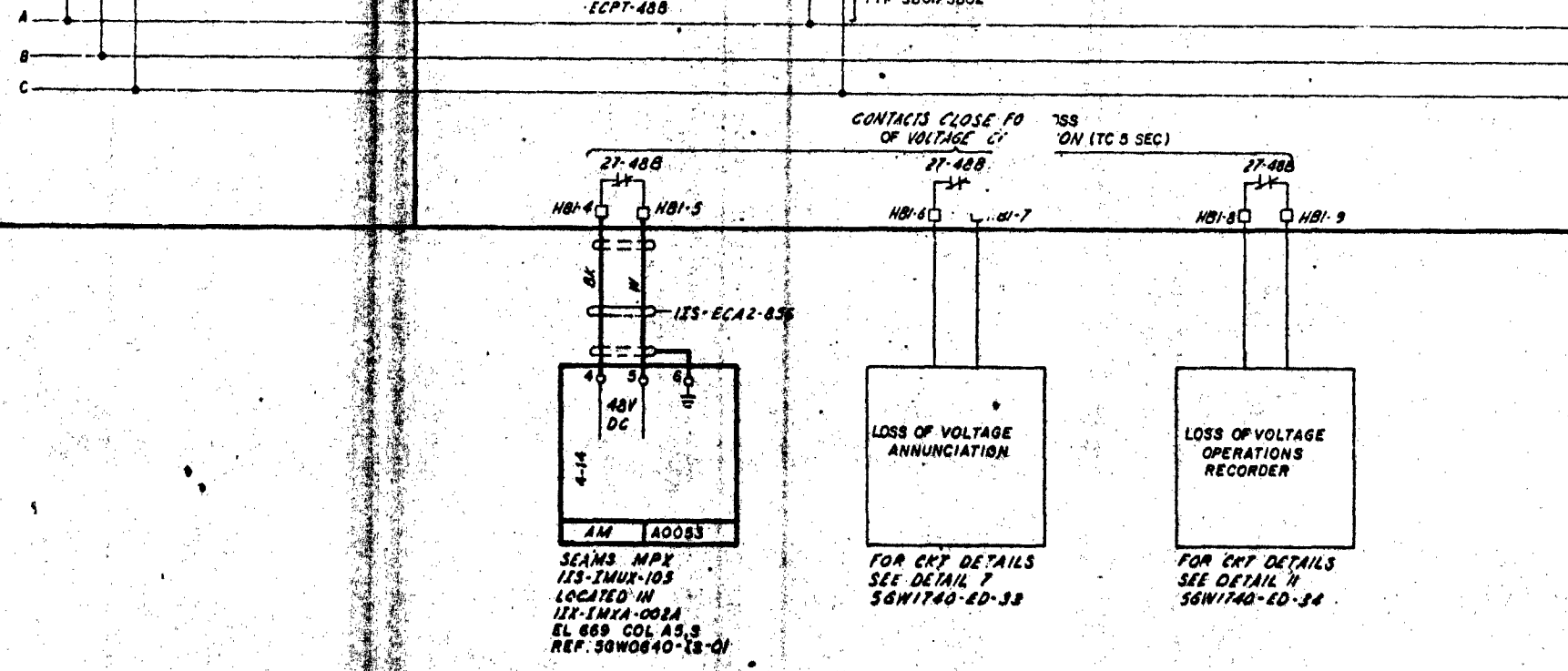
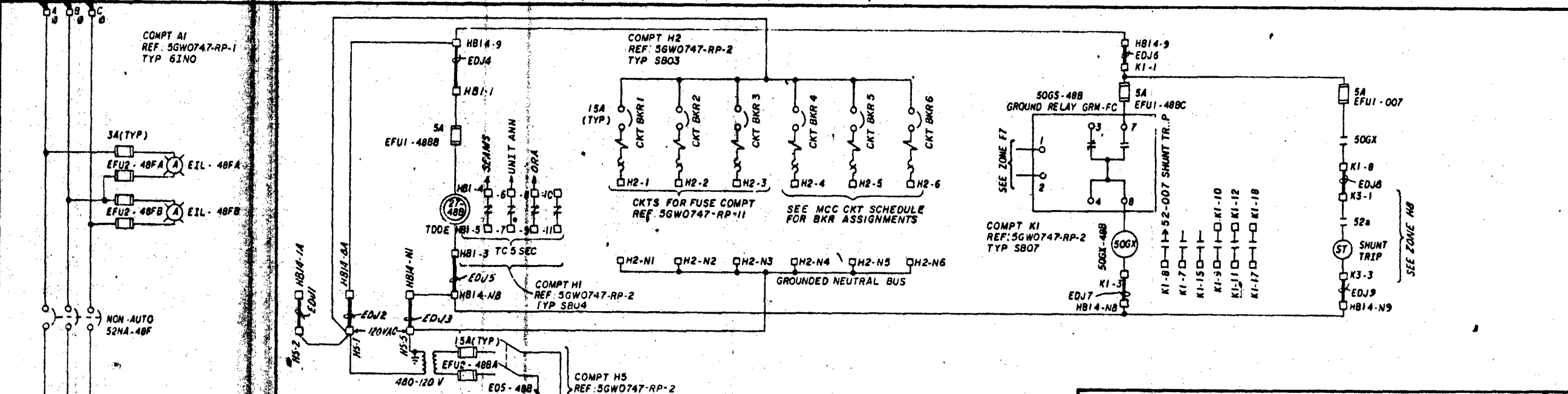


480V LV SWGR 1XA2
ELVS-18
EL 669 COL A7,V



480V MCC 1A3
EMCC-48
EL 669 COL A5,U



NOTES:
1. FOR GENERAL NOTES AND SYMBOLS SEE DWG 56W1740-ED-01.

50-438
8304050536
3-25-83
REGULATORY PROJECT FILE

PRC
APERTURE
CARD

REV	NO	DATE	DESCRIPTION	BY	CHKD	APP'D
1	51	4-26-79	CHANGED UNDERVOLTAGE TO LOSS OF VOLTAGE, ADDED REF DWG 5-1 IND. B ADDED TIME SETTING TO T.D. RELY.			
<p>SCALE: EXCEPT AS NOTED</p> <p>GENERAL UNIT 1</p> <p>SYSTEM SCHEMATIC 480V NORMAL AC AUX POWER DISTRIBUTION SYSTEM</p> <p>BELLEVILLE NUCLEAR PLANT TENNESSEE VALLEY AUTHORITY DIVISION OF ENGINEERING DESIGN</p> <p>SUBMITTED: [Signature] RECOMMENDED: [Signature] APPROVED: [Signature]</p> <p>INSPECTED AND APPROVED FOR ISSUE</p> <p>KNOXVILLE 4-16-78 56W1740-ED-18</p>						