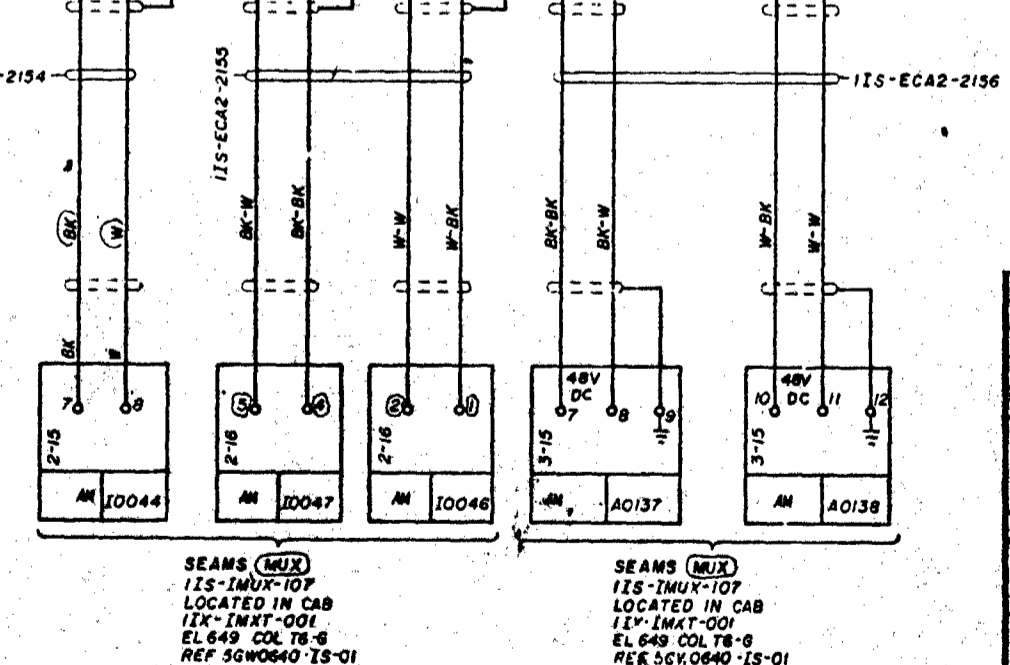
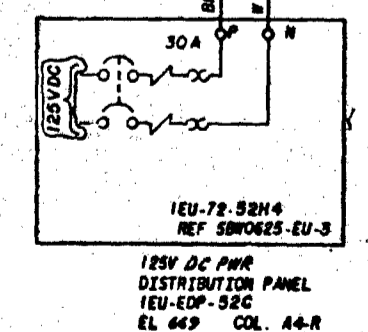
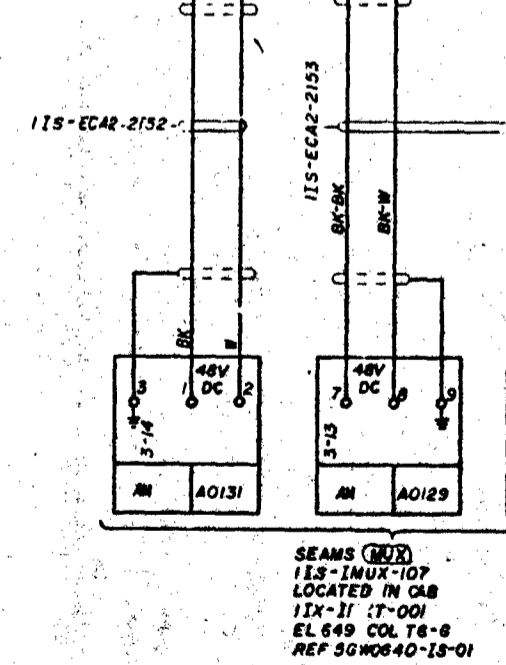
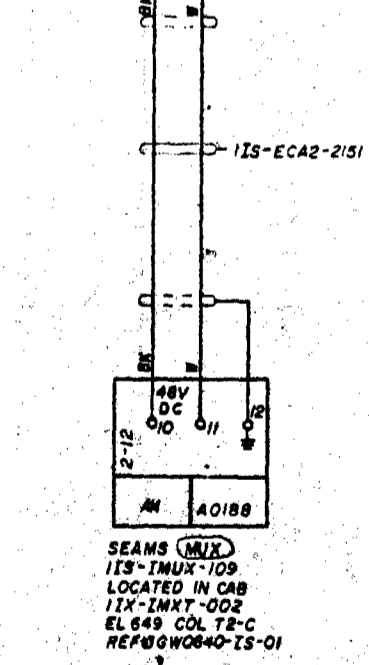
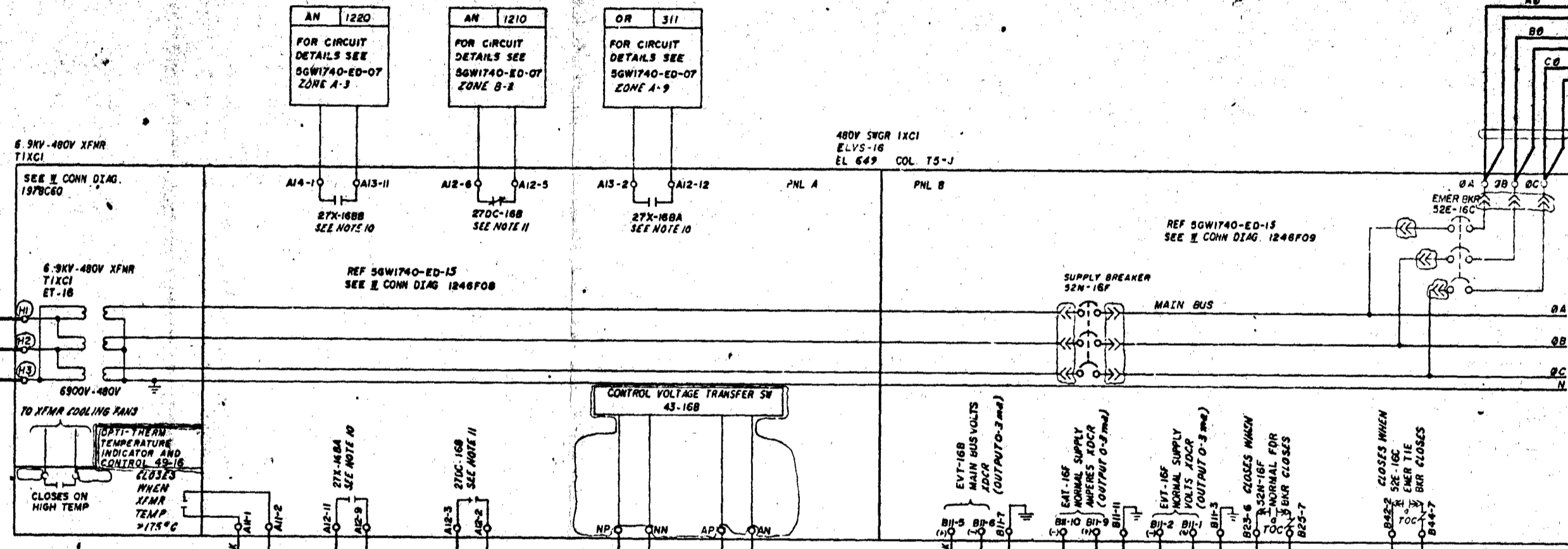
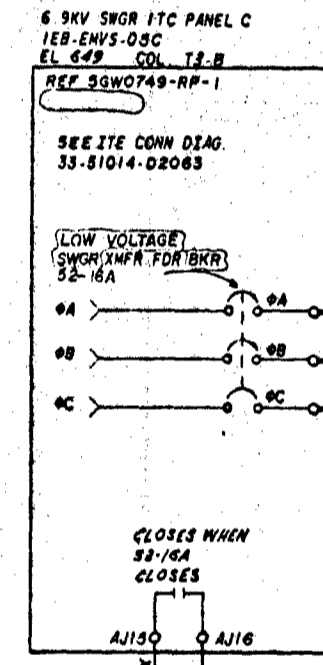


NOTES:
1 FOR NOTES AND SYMBOLS SEE SHEET 01

480 SWGR 2XC1
2ED-ELYS-149A
EL 649 COL 78-J
REF 56W2740-ED-09
ZONE C-10
EMER SWR
2ED-52E-16C



PRC APERTURE CARD

Revision table with columns for revision number, date, and description.

GENERAL UNIT 1 SYSTEM SCHEMATIC 480V NORMAL AC AUXILIARY POWER DISTRIBUTION SYSTEM BELLEFONTE NUCLEAR PLANT TENNESSEE VALLEY AUTHORITY

APPROVED FOR ISSUE: [Signatures] KNOXVILLE 1-11-78 88 E1 SGM1740-ED-09

LOW VOLTAGE SWGR 1XC1

50-430
820450 574
3-25-83
REGULATORY DOCKET FILE