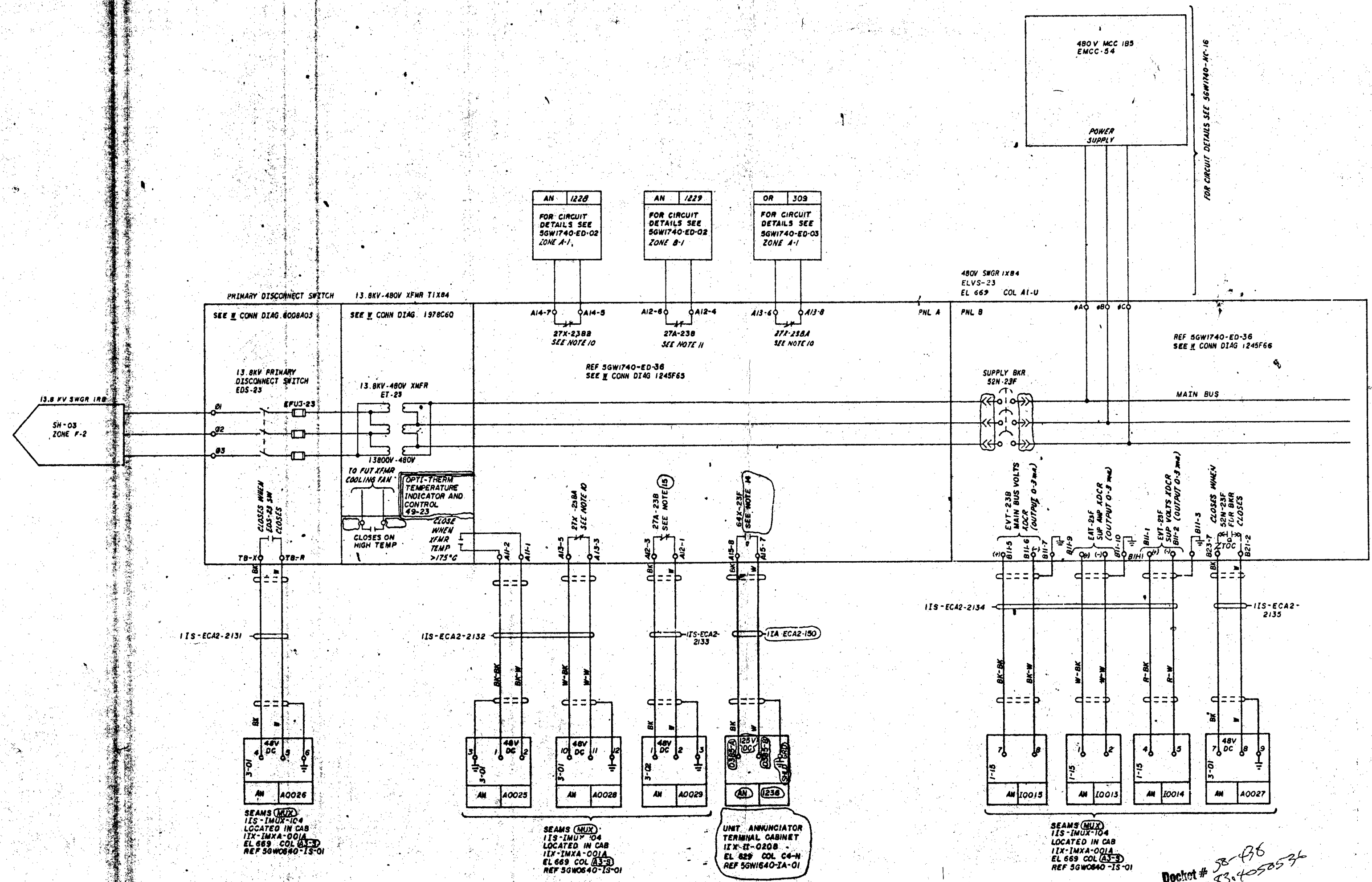


NOTES:  
1. FOR NOTES AND SYMBOLS SEE SHEET 01



PRC  
APERTURE  
CARD

REV	DATE	BY	CHKD	APP'D
1	7-13-78	J. R. [Signature]	[Signature]	[Signature]
MINOR CHANGES:				
ADDED SEAMS CABLE NUMBERS AND TERMINATION INFORMATION, OPERATIONS RECORDER POINT NO. AND GENERAL REVISION PER ECR 51				
SCALE: EXCEPT AS NOTED				
GENERAL UNIT 1				
SYSTEM SCHEMATIC 480V NORMAL AC AUXILIARY POWER DISTRIBUTION SYSTEM				
BELLEFONTE NUCLEAR PLANT TENNESSEE VALLEY AUTHORITY DIVISION OF ENGINEERING DESIGN				
APPROVED	RECOMMENDED	APPROVED		
[Signature]	[Signature]	[Signature]		
INSPECTED AND APPROVED FOR ISSUE				
KNOXVILLE 11-11-78 88 E SGM1740-ED-06				

Docket # 38-836  
Control # 38-4058536  
Date 3-25-83 of Document  
REGULATORY DOCKET FILE

PRESSURIZER HEATER SWGR 1XB4