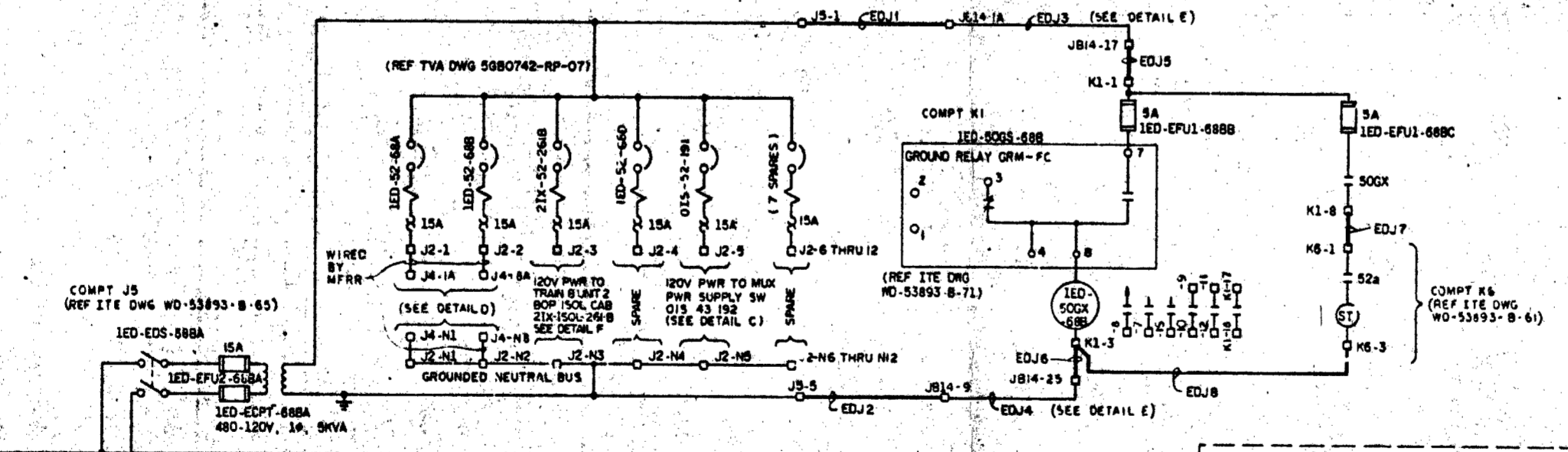
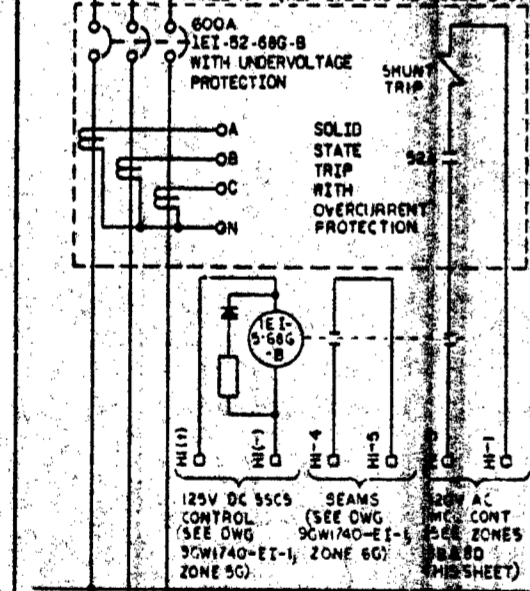
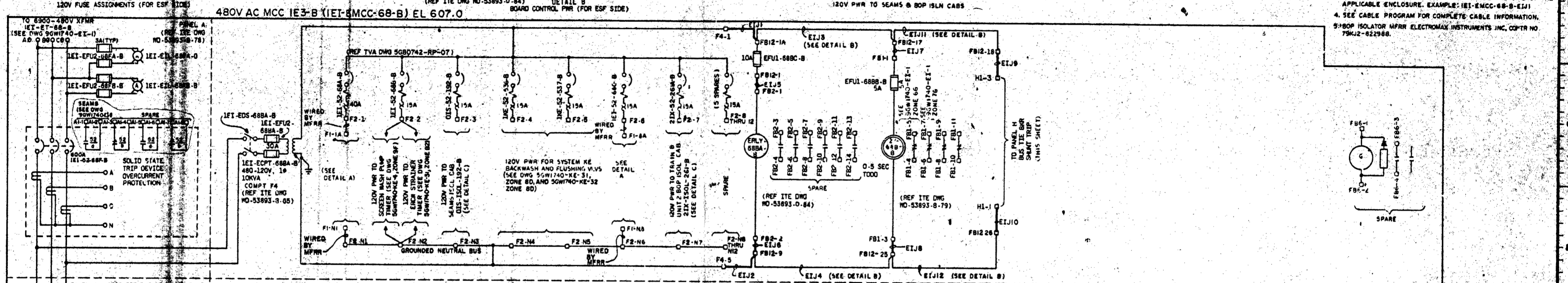
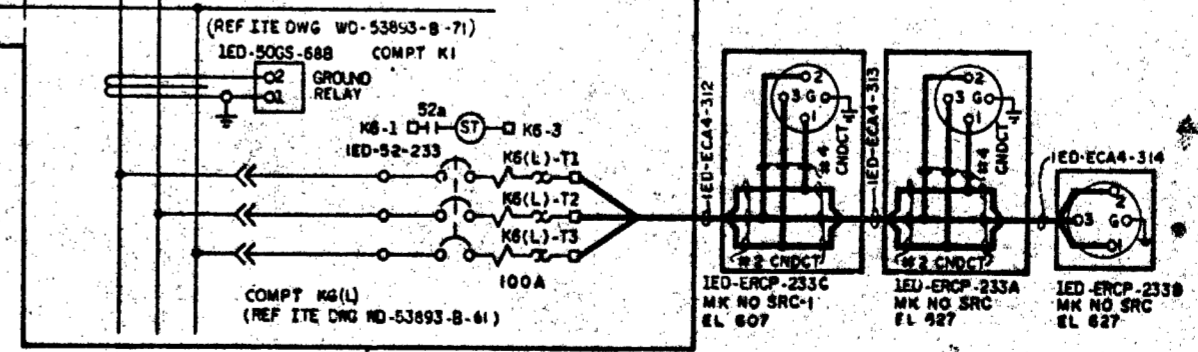
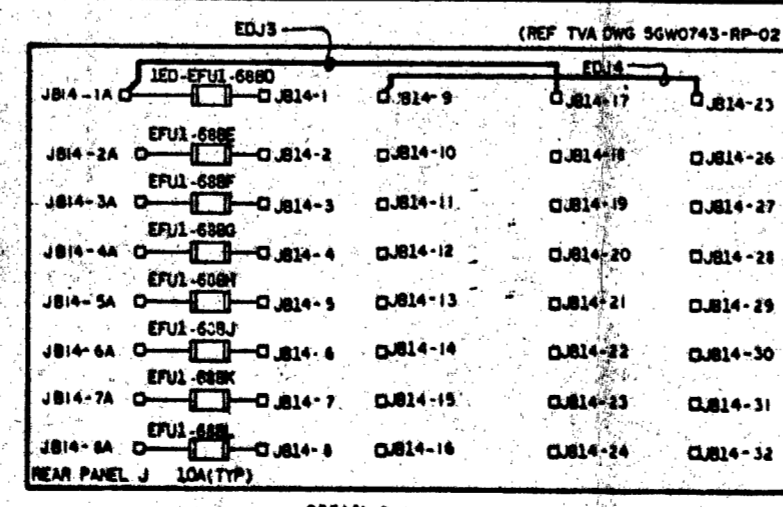
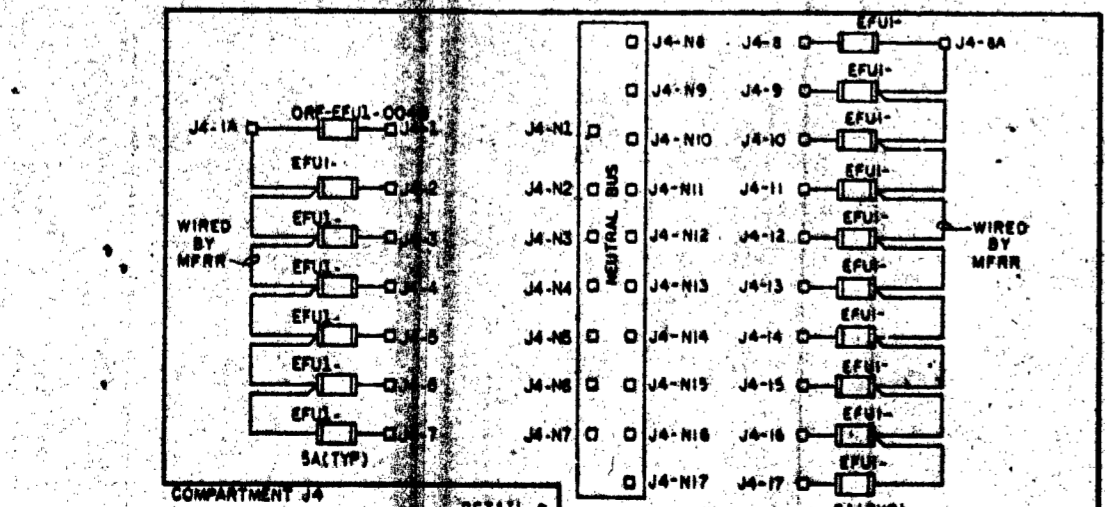


NOTES:
1. 480V MCC MFRR W/RE IMPERIAL CORP, CONTR NO 78K5-86242
2. MOTOR CONTROL CENTER TERMINAL BLOCK DESIGNATIONS ARE SHOWN AS FOLLOWS:
FOR COMPT TERMINAL BLOCKS (MOUNTED INSIDE COMPARTMENTS OF PANELS F & J AND REAR OF COMPARTMENTS LOCATED IN ALL OTHER PANELS)
FOR COMMON RELAY MOUNTING PANELS (REAR OF PANELS F & J ONLY)
3. SYSTEM JUMPERS TO BE FIELD WIRED ARE SHOWN PREFIXED WITH SYSTEM DESIGNATIONS ET OR ED AND INDICATED BY A HEAVY LINE. COMPLETE JUMPER DESIGNATION WILL INCLUDE THE UNID OF THE APPLICABLE ENCLOSURE. EXAMPLE: IEI-EMCC-68-B-E1J1
4. SEE CABLE PROGRAM FOR COMPLETE CABLE INFORMATION.
5. BOP ISOLATOR MFRR ELECTROMAX INSTRUMENTS INC, CONTR NO 79KJ2-922988.



Docket # 50-438
Control # 830 4050536
Date 3-25-83
of Document
REGULATORY DOCKET FILE

PRC APERTURE CARD



REFERENCE DRAWINGS:
9KW1733-E1-1, 2---480V MCC IE3-B SINGLE LINE

SYMBOLS:
□ MOTOR CONTROL CENTER COMPT. TERMINAL
○ DEVICE TERMINAL

131343 17 11 1988
ECL 1343-ADDED CONTACT FOR MAIN FOR BIPOLAR CONTACT TO ITEMS 2 & 3 (2192-31)
ECL 572-REV FUSES & USED SPARE RELAYS FOR SYSTEM KE. SI-MINOR REVISIONS.
REV BRKS AND TERMINALS PER ECL-33A VARIOUS MINOR CHGS PER ECL-31 EXCHANGED CABLES ON IEI-ERCP-223A @ B. CHANGED IEI-ERCP-223B FROM MK NO SRC-1 TO SRC PER FCRIE-583-31 REV FUSES PER ECL-442
DATE 12-28-83
DRAWN BY J. E. BUCKNER
CHECKED BY J. E. BUCKNER
SCALE: EXCEPT AS NOTED
INTAKE FLIPPING STATION UNIT 1
SYSTEM SCHEMATIC
480V CLASS 1E AC AUX POWER DISTRIBUTION SYSTEM FOR MCC IE3-B
BELLEFONTE NUCLEAR PLANT
TENNESSEE VALLEY AUTHORITY
DIVISION OF ENGINEERING DESIGN
SUBMITTED BY Robert J. Havel
RECOMMENDED BY John E. Havel
INSPECTED AND APPROVED FOR ISSUE
KNOXVILLE 8-1-77 88 E 98W1740-E1-3 83