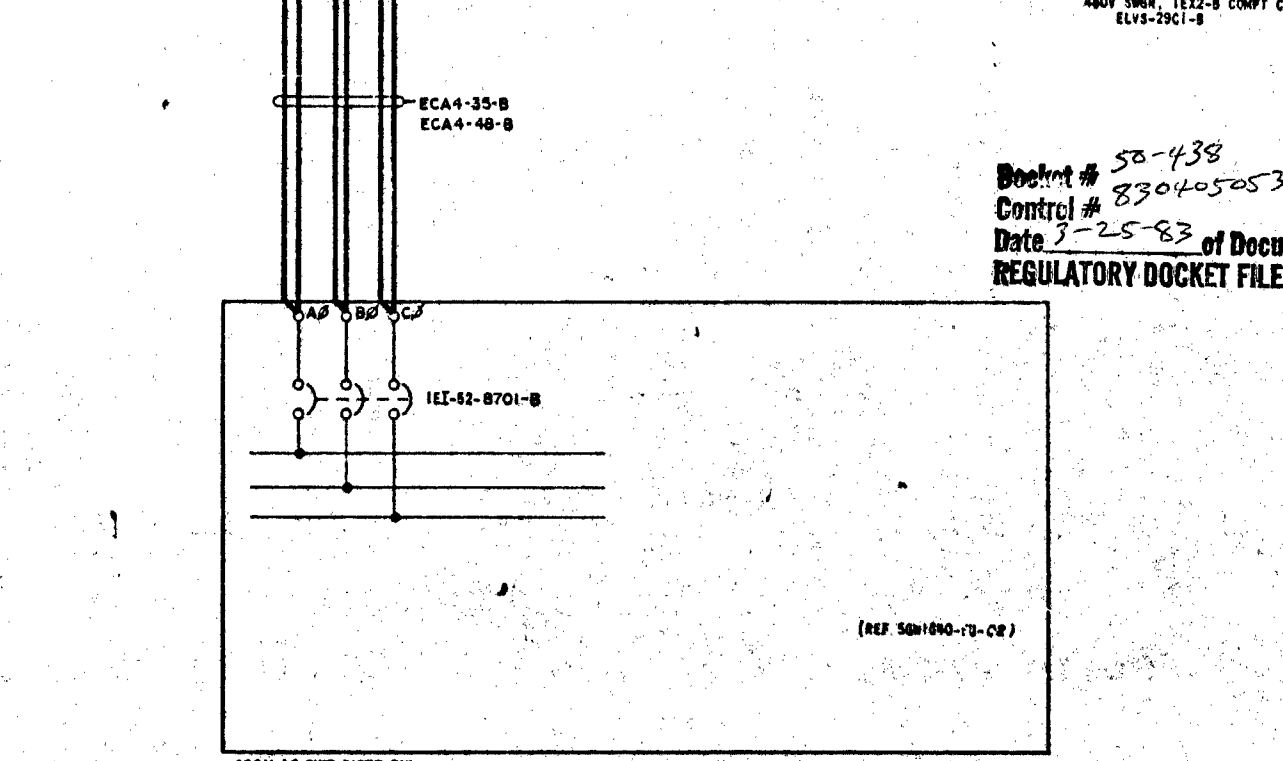
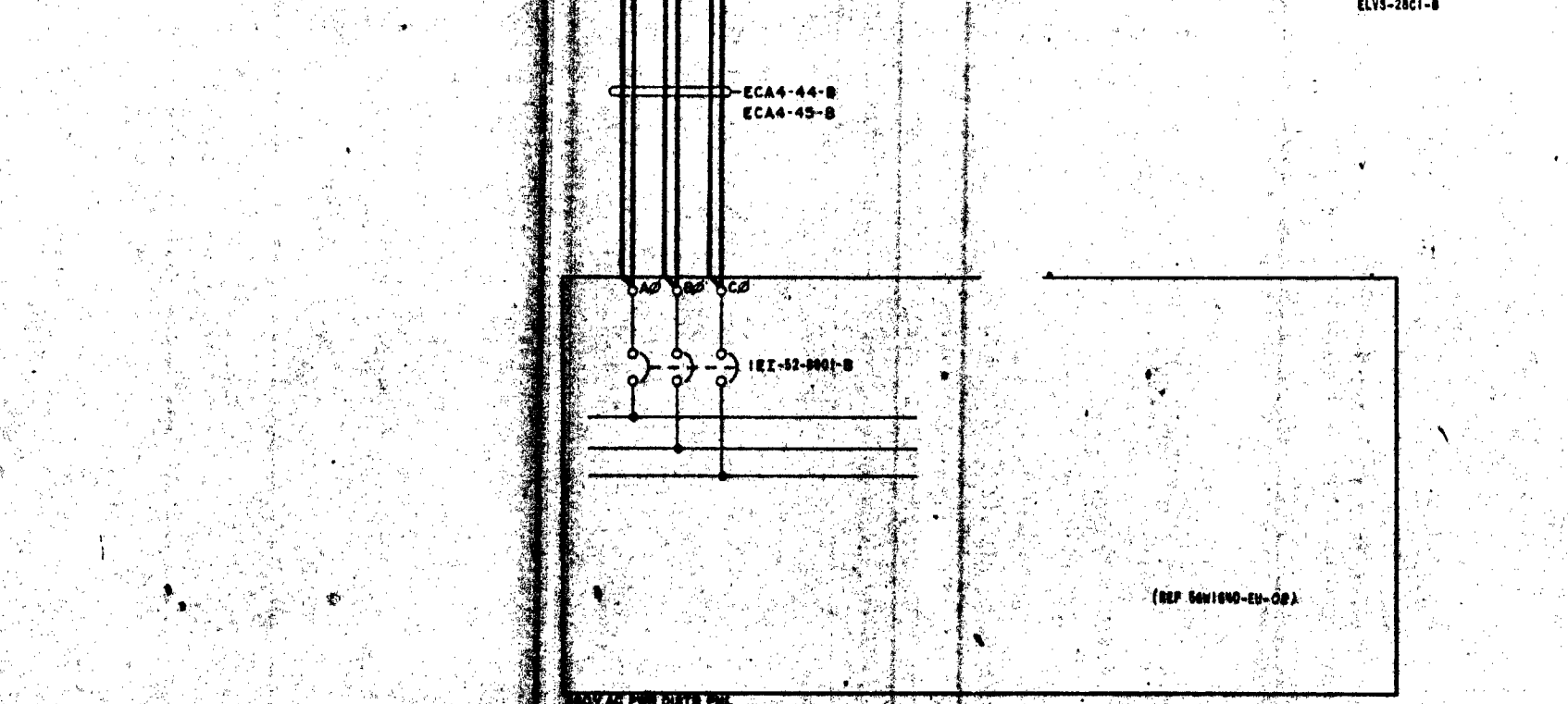
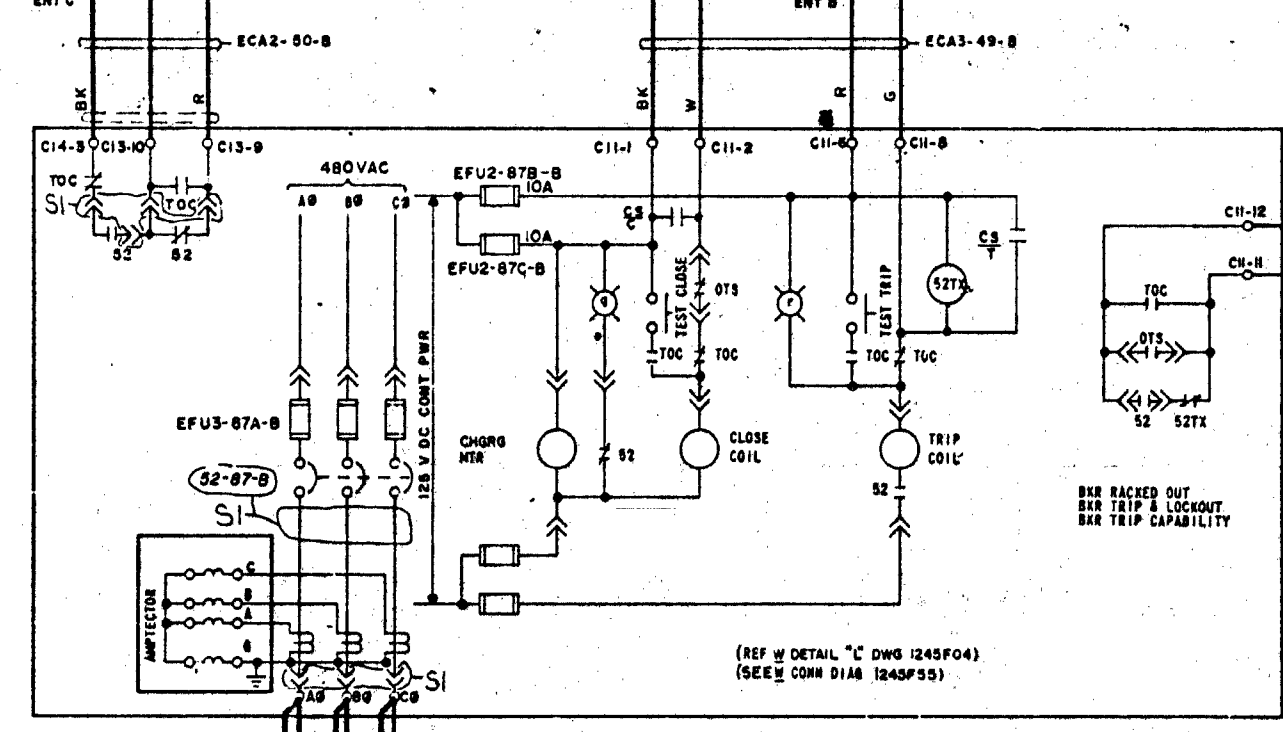
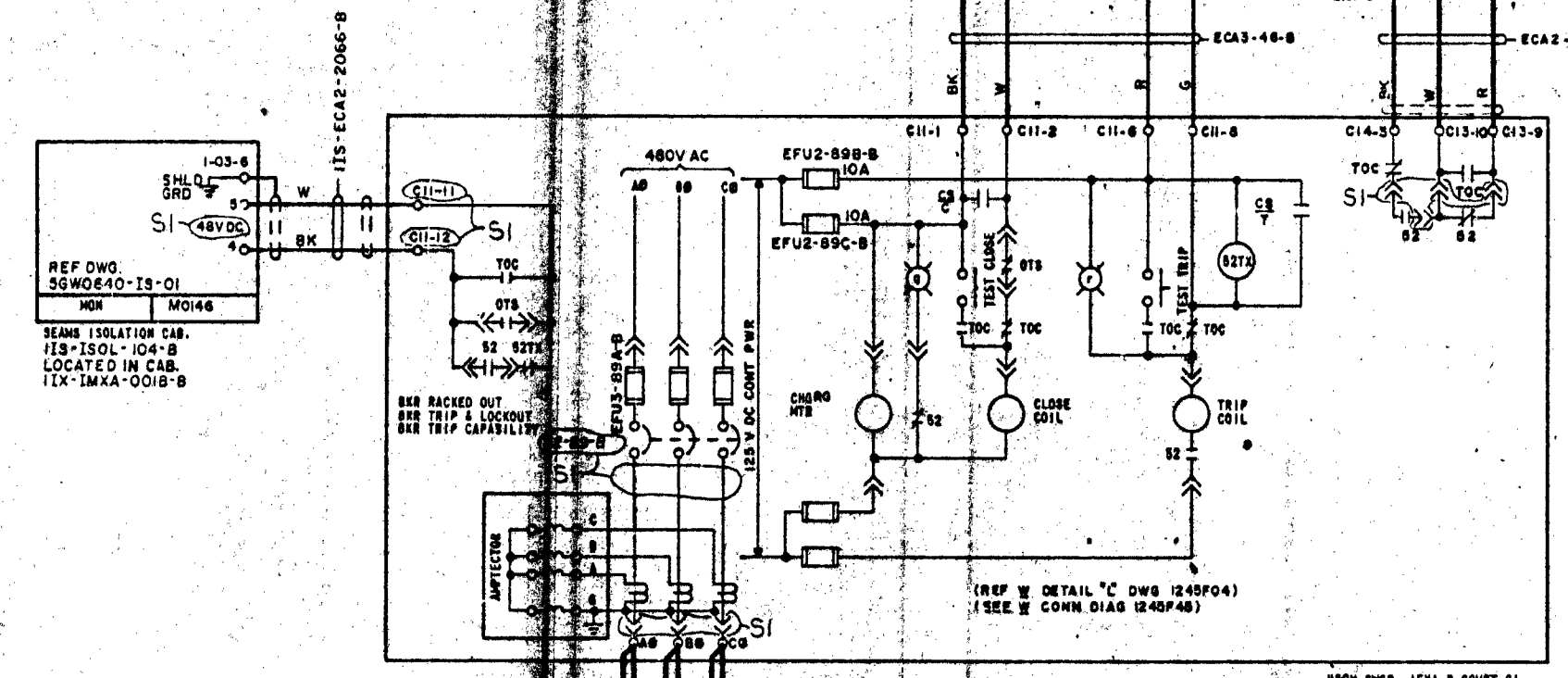
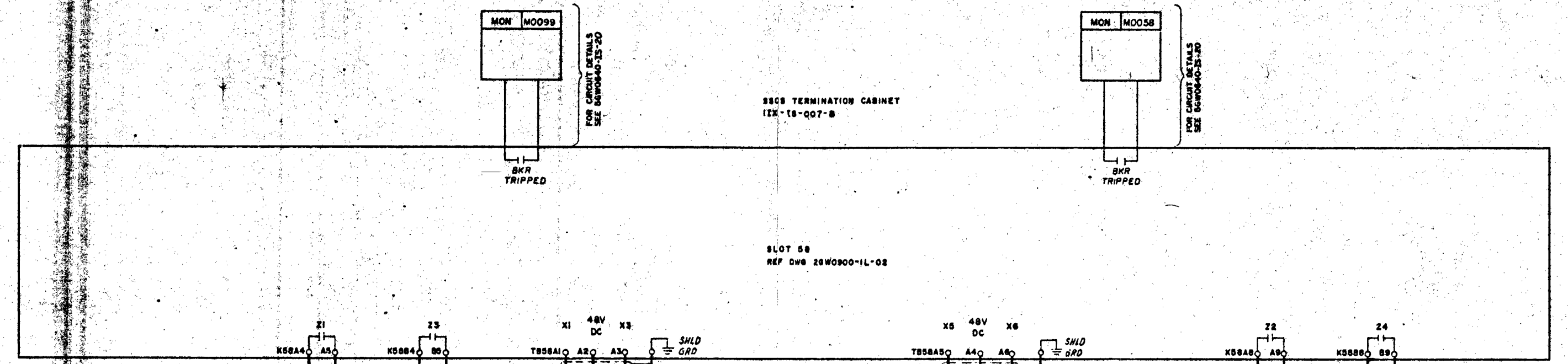


NOTES:
1. FOR GENERAL NOTES SEE SHEET 1.



Doc # 50-438
Control # 8301050536
Date 7-25-83 of Document
REGULATORY DOCKET FILE

PRC
APERTURE
CARD

REV.	DATE	DESCRIPTION	BY	CHKD.
1	11-9-77	ADDED SEAMS ISOLATOR TERMINAL NUMBERS AND REMOVED COL. B, MINOR REVISIONS PER SI	J. J. J.	J. J. J.
2	11-9-77	ADDED MONITORING SYSTEM CABLES - TERMINATION INFORMATION, & MINOR REVISIONS PER ECF SI	J. J. J.	J. J. J.

SCALE: EXCEPT AS NOTED

GENERAL UNIT 1

SYSTEM SCHEMATIC
480V CLASS 1E AC
AUXILIARY POWER SYSTEM

BELLEFONTE NUCLEAR PLANT
TENNESSEE VALLEY AUTHORITY
DIVISION OF ENGINEERING DESIGN

SUBMITTED: [Signature]
RECOMMENDED: [Signature]
APPROVED: [Signature]

INSPECTED AND APPROVED FOR ISSUE
KNOXVILLE 11-9-77 88 E 5GMI740-E1-07