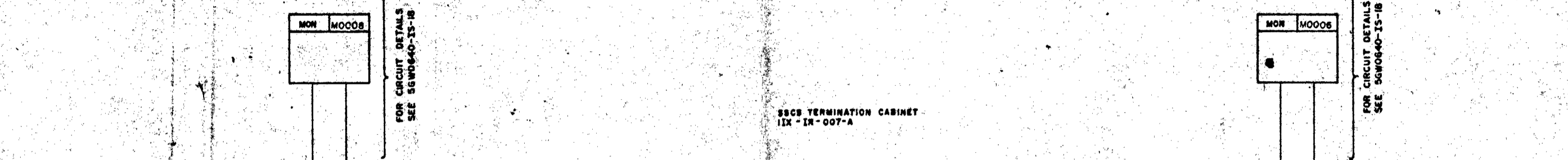
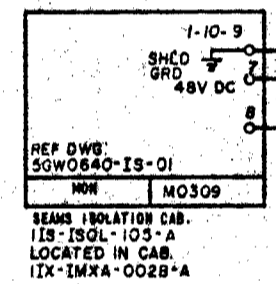
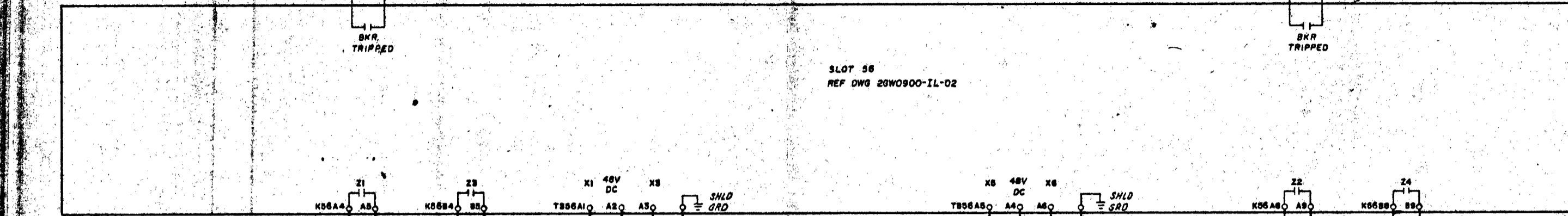


NOTES:
1. FOR GENERAL NOTES SEE SHEET 01.

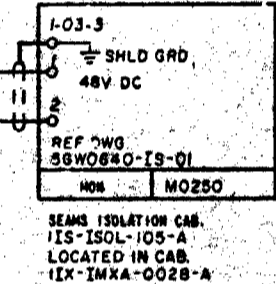


SSCB TERMINATION CABINET
IX-IX-007-A

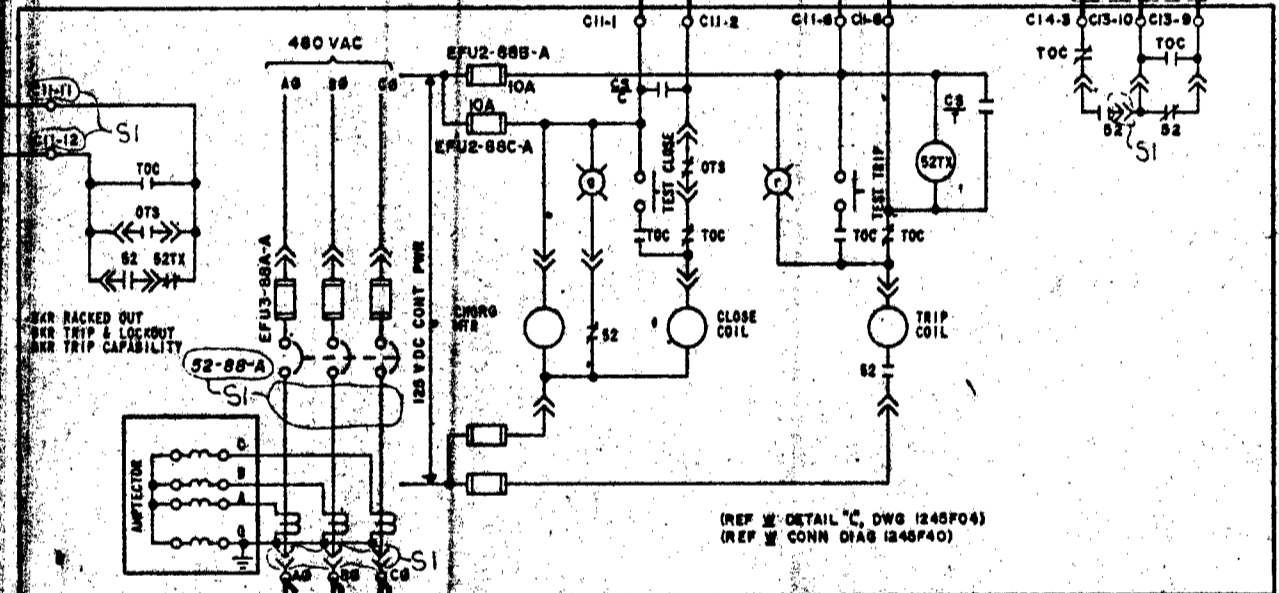
SLOT 58
REF DWG 20W0900-IL-02



REF DWG: 50W0840-IS-01
MON MO309
SEAMS ISOLATION CAB.
1S-150L-105-A
LOCATED IN CAB.
IX-IMXA-002B-A

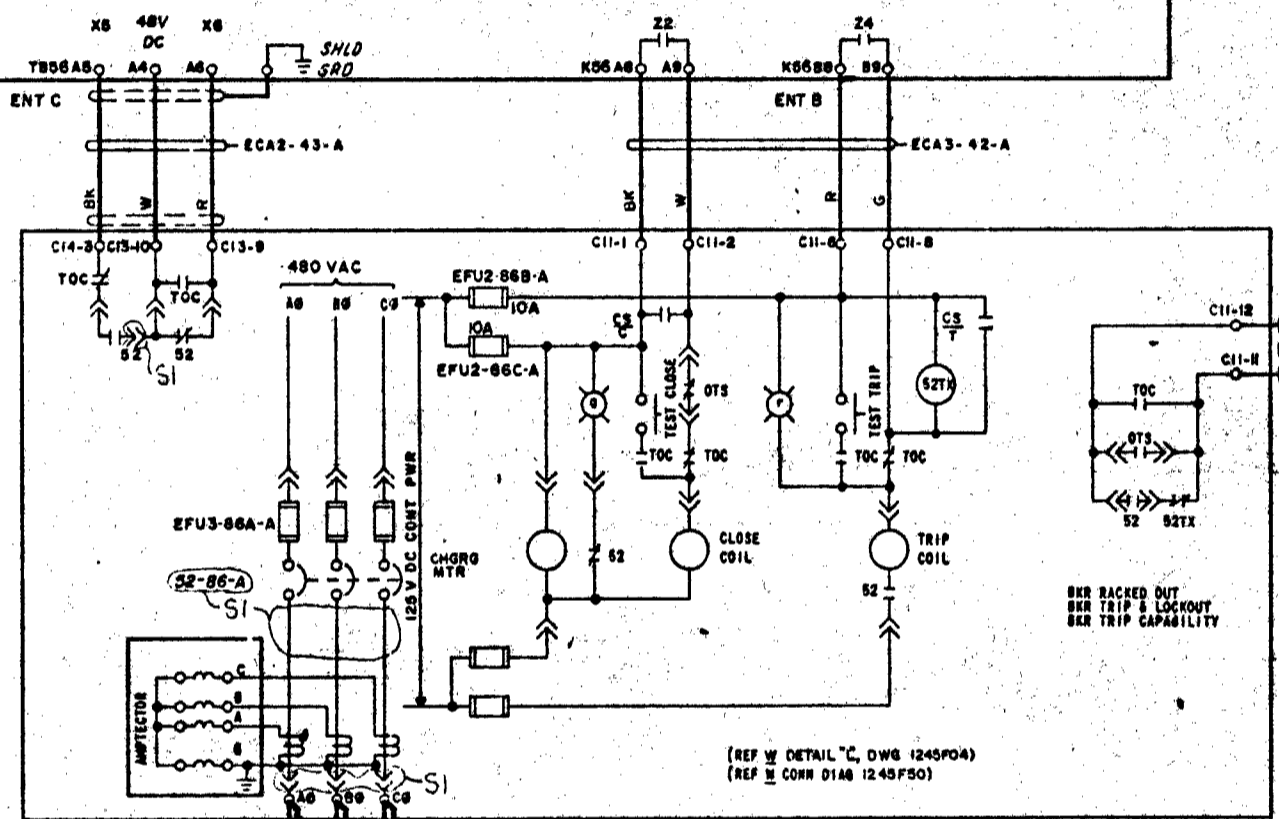


REF DWG: 50W0840-IS-01
MON MO250
SEAMS ISOLATION CAB.
1S-150L-105-A
LOCATED IN CAB.
IX-IMXA-002B-A



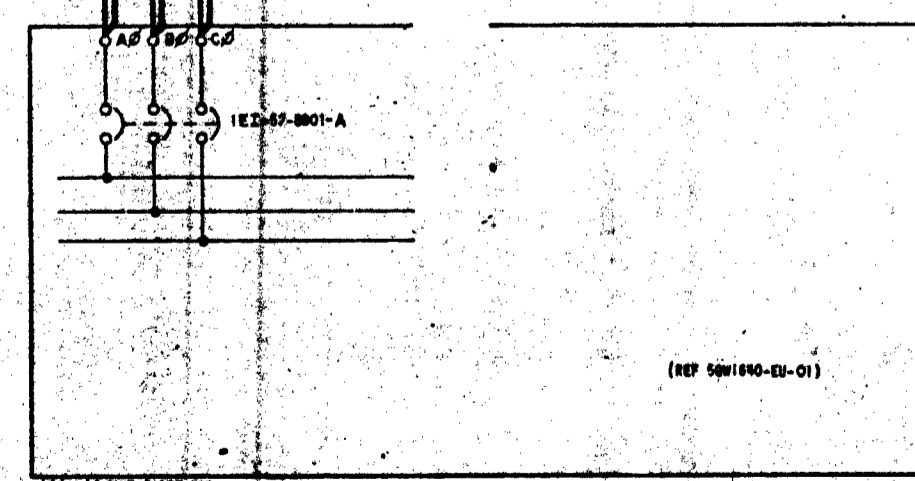
(REF W DETAIL 'C', DWG 1245F04)
(REF W CONN DIAG 1245F40)

480V SWB, 1E11-A COMPT C1
ELY3-34C1-A

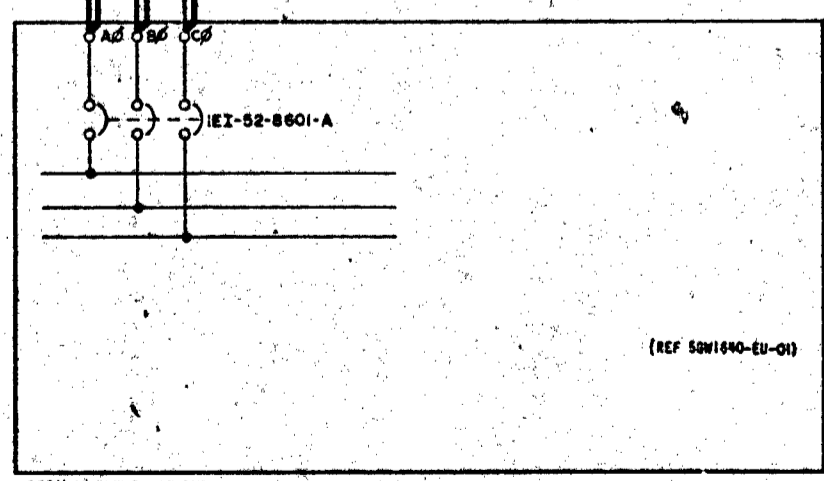


(REF W DETAIL 'C', DWG 1245F04)
(REF W CONN DIAG 1245F50)

480V SWB, 1E12-A COMPT C1
ELY3-25C1-A



120V AC / 125V DC VITAL
CONTROL POWER CHANNEL IF



120V AC / 125V DC VITAL
CONTROL POWER CHANNEL ID

Docket # 50-438
Control # 830405236
Date 3-25-83
of Document
REGULATORY DOCKET FILE



DESIGNED BY	W.L. ...	CHECKED BY	...
DRAWN BY	...	DATE	...
SCALE:	EXCEPT AS NOTED		
GENERAL UNIT:	SYSTEM SCHEMATIC		
480V CLASS 1E AC			
AUXILIARY POWER SYSTEM			
BELLEFONTE NUCLEAR PLANT TENNESSEE VALLEY AUTHORITY			
DIVISION OF ENGINEERING DESIGN			
SUBMITTED	APPROVED	DATE	...
INSPECTED AND APPROVED FOR ISSUE	...		
KNOXVILLE 11-1-77 R81E 5GM1740-E1-06			