

DRW. NO.	TITLE
20W0720-AP	PLANT A-C AUXILIARY POWER SYSTEM SINGLE LINE
20W0720-ED	480V MCC SKE
20W0720-1	SCHEMATICS SERIES
50W0720-UP	TYP. MCC SCHEMATICS

- NOTES:
- 480V MCC PROVIDED ON CONTRACT NO. 76K5-96242
 - THE FOLLOWING UNIQUE SKHEME SHALL BE USED TO IDENTIFY THE MCC SWITCHGEAR AND DEVICE DESIGNATION.
- SEPARATION DESIGNATION (WHERE APPLICABLE)
- SPECIFIC COMPONENT IDENTIFIER (LISTED ON THIS DRAWING WITH DEVICE SYMBOL)
- COMPONENT FUNCTION DESIGNATION (LISTED ON THIS DRAWING WITH DEVICE SYMBOL)
- SYSTEM DESIGNATION
- GENERATING UNIT DESIGNATION

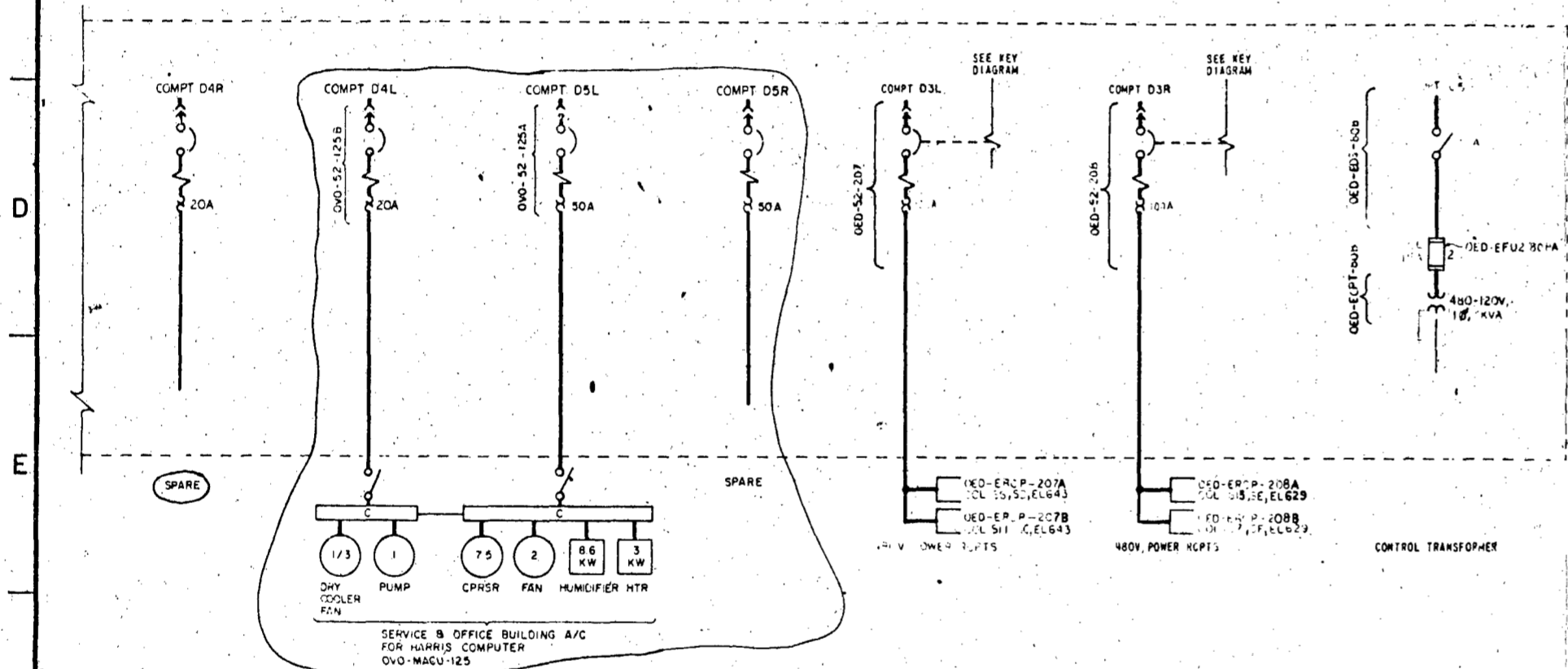
- ALL MOLDED CASE CIRCUIT BREAKERS ARE 3-POLE, 50KV WITH AN INTERRUPTING RATING OF NOT LESS THAN 25,000 SYMMETRICAL RMS AMP. AT 480V. ALL CIRCUIT BREAKERS ARE 100A FRAME EXCEPT AS NOTED. FUNCTIONAL BREAKERS SHOWN WITH SHUNT TRIP THE SHUNT COIL TRIP VOLTAGE SHALL BE 50% OF THE RATED VOLTAGE OF THE COIL.
- ALL COMBINATION MOTOR STARTERS WILL INCLUDE CIRCUIT BREAKERS WITH 100% TRIP MAGNETIC TRIP SETTINGS AND OTHER CIRCUIT BREAKERS HAVE TRIP MAGNETIC TRIP.
- ALL MOTOR STARTERS SHALL BE PROVIDED WITH 3 ELECTRICALLY ISOLATE AUXILIARY CONTACTS.
- ALL 480V COMPARTMENT CONTROL TRANSFORMER SHALL BE 480-120V 150 VA WITH 200V SECONDARY LINE VOLTAGE UNLESS OTHERWISE NOTED. ALL ARE 15 AMP EXCEPT AS NOTED.
- A RED A/C INDICATING LIGHT TO BE PROVIDED IN COMPARTMENTS SHOWN AND PARALLEL WITH THE STARTER COIL.
- GROUND FAULT PROTECTION FOR INDIVIDUAL LOADS SHOULD BE SET TO PICKUP AT APPROXIMATELY 10 AMP PER AMPERE CURRENT WITH NO INTENTIONAL TIME DELAY.
- UNLESS OTHERWISE SHOWN ALL COMPONENTS EXTERNAL TO THE MOTOR CONTROL CENTER ARE ASSIGNED UNIQUE IDENTIFICATION NUMBERS AS SHOWN IN PARENTHESIS UNDER SYMBOLS WHERE "XXX" INDICATES DIGITS THAT ARE THE SAME AS THOSE SHOWN FOR THE LOAD.

- SYMBOLS:
- --- MOTOR OPERATED DAMPER
 - --- CONTROL SUPPLIED BY MFR
 - ⊕ --- RED LIGHT (XXX-EIL-XXX)
 - ⊕ --- AMBER LIGHT
 - ⊕ --- MAG. TRIP ONLY BKR
 - X --- CONTINUOUS CURRENT RATING
 - Y --- TRIP SETTING
 - ⊕ --- DISCONNECT SWITCH (XXX-EDS-XXX)
 - ⊕ --- HAND INDICATING SWITCH (XXX-EHS-XXX)
 - ⊕ --- LOCATED ON CONTROL PNL IN CREW ROOM
 - ⊕ --- LOCATED IN ROOM OR AREA SERVED
 - ⊕ --- LOCATED NEAR FAN OR EQUIPMENT CONTROLLED
 - ⊕ --- THERMOSTAT (XXX-ETH-XXX)

POOR ORIGINAL

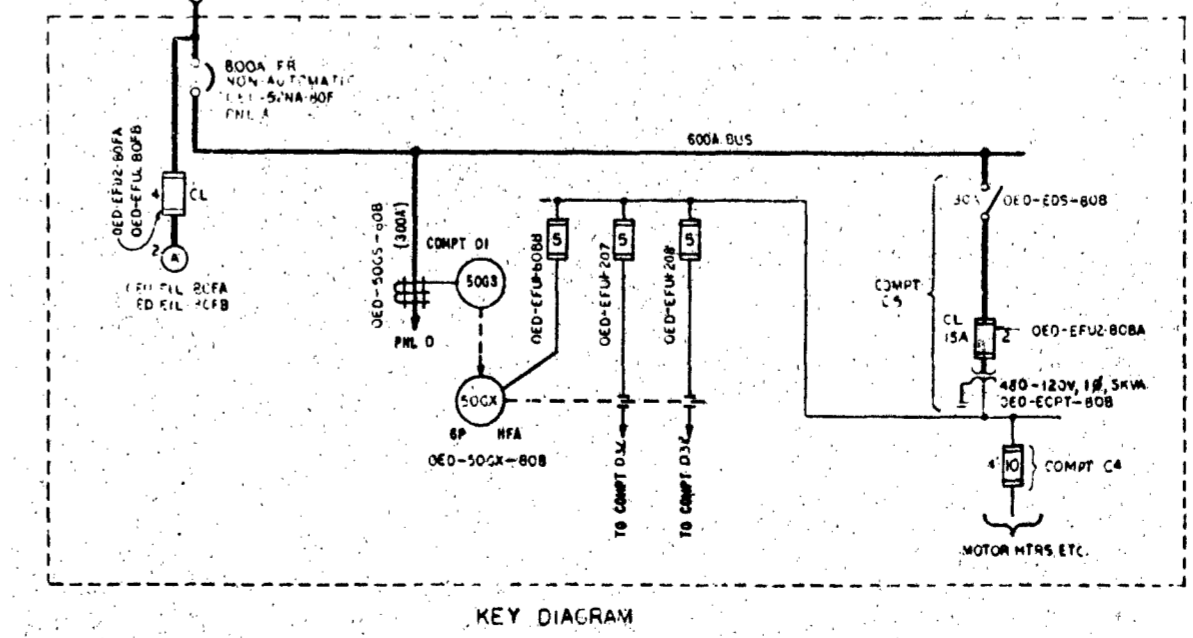
Docket # *83-438*
Control # *830405-536*
Date *2-25-83* of Document:
REGULATORY DOCKET FILE

PRC
APERTURE
CARD



A	B	C	D
B00A FEEDER BKR	BKR BKR B1L B1R	225A BKR	GROUND FAULT EQUIP
	BKR BKR B2L B2R		
1-FVNR	FUTURE	BKR BKR D3L D3R	
B3		BKR BKR D4L D4R	
1-FVNR SPARE		BKR BKR D5L D5R	
B4	FUSES		
225A BKR		BKR BKR D6L D6R	
		DISC SW. CONT XFMR	FUTURE
A1	B3	C3	D6

PANEL LAYOUT FOR MCC SKO



REV. NO.	ECN NO.	DATE	DESCRIPTION	BY	APP. BY
1	1289	12-10-74	ADD 300A BLDG A/C UNIT FOR HARRIS COMPUTER		
2	1722	12-10-74	ADD 480V MCC SKE		
3	1722	12-10-74	ADD GATEHOUSE A/C UNIT		
4	1834	12-10-74	ADD AIR CONDITIONER TO PRIME COMPUTER FACILITY		
5	1834	12-10-74	ADD AIR CONDITIONER TO PRIME COMPUTER FACILITY		
6	1834	12-10-74	ADD AIR CONDITIONER TO PRIME COMPUTER FACILITY		
7	1834	12-10-74	ADD AIR CONDITIONER TO PRIME COMPUTER FACILITY		
8	1834	12-10-74	ADD AIR CONDITIONER TO PRIME COMPUTER FACILITY		
9	1834	12-10-74	ADD AIR CONDITIONER TO PRIME COMPUTER FACILITY		
10	1834	12-10-74	ADD AIR CONDITIONER TO PRIME COMPUTER FACILITY		
11	1834	12-10-74	ADD AIR CONDITIONER TO PRIME COMPUTER FACILITY		
12	1834	12-10-74	ADD AIR CONDITIONER TO PRIME COMPUTER FACILITY		
13	1834	12-10-74	ADD AIR CONDITIONER TO PRIME COMPUTER FACILITY		
14	1834	12-10-74	ADD AIR CONDITIONER TO PRIME COMPUTER FACILITY		
15	1834	12-10-74	ADD AIR CONDITIONER TO PRIME COMPUTER FACILITY		
16	1834	12-10-74	ADD AIR CONDITIONER TO PRIME COMPUTER FACILITY		
17	1834	12-10-74	ADD AIR CONDITIONER TO PRIME COMPUTER FACILITY		
18	1834	12-10-74	ADD AIR CONDITIONER TO PRIME COMPUTER FACILITY		
19	1834	12-10-74	ADD AIR CONDITIONER TO PRIME COMPUTER FACILITY		
20	1834	12-10-74	ADD AIR CONDITIONER TO PRIME COMPUTER FACILITY		
21	1834	12-10-74	ADD AIR CONDITIONER TO PRIME COMPUTER FACILITY		
22	1834	12-10-74	ADD AIR CONDITIONER TO PRIME COMPUTER FACILITY		
23	1834	12-10-74	ADD AIR CONDITIONER TO PRIME COMPUTER FACILITY		
24	1834	12-10-74	ADD AIR CONDITIONER TO PRIME COMPUTER FACILITY		
25	1834	12-10-74	ADD AIR CONDITIONER TO PRIME COMPUTER FACILITY		
26	1834	12-10-74	ADD AIR CONDITIONER TO PRIME COMPUTER FACILITY		
27	1834	12-10-74	ADD AIR CONDITIONER TO PRIME COMPUTER FACILITY		
28	1834	12-10-74	ADD AIR CONDITIONER TO PRIME COMPUTER FACILITY		
29	1834	12-10-74	ADD AIR CONDITIONER TO PRIME COMPUTER FACILITY		
30	1834	12-10-74	ADD AIR CONDITIONER TO PRIME COMPUTER FACILITY		

SERVICE & OFFICE BUILDING UNITS 1 & 2

SINGLE LINE
480V MCC SXO
0ED-EMCC-80

BELLEFONTE NUCLEAR PLANT
TENNESSEE VALLEY AUTHORITY
DIVISION OF ENGINEERING DESIGN

INSPECTED AND APPROVED FOR ISSUE
DESIGN PROJECT MANAGER

SUBMITTED
RECOMMENDED
APPROVED

NOV 12 1974

95M0732-ED-1 R7