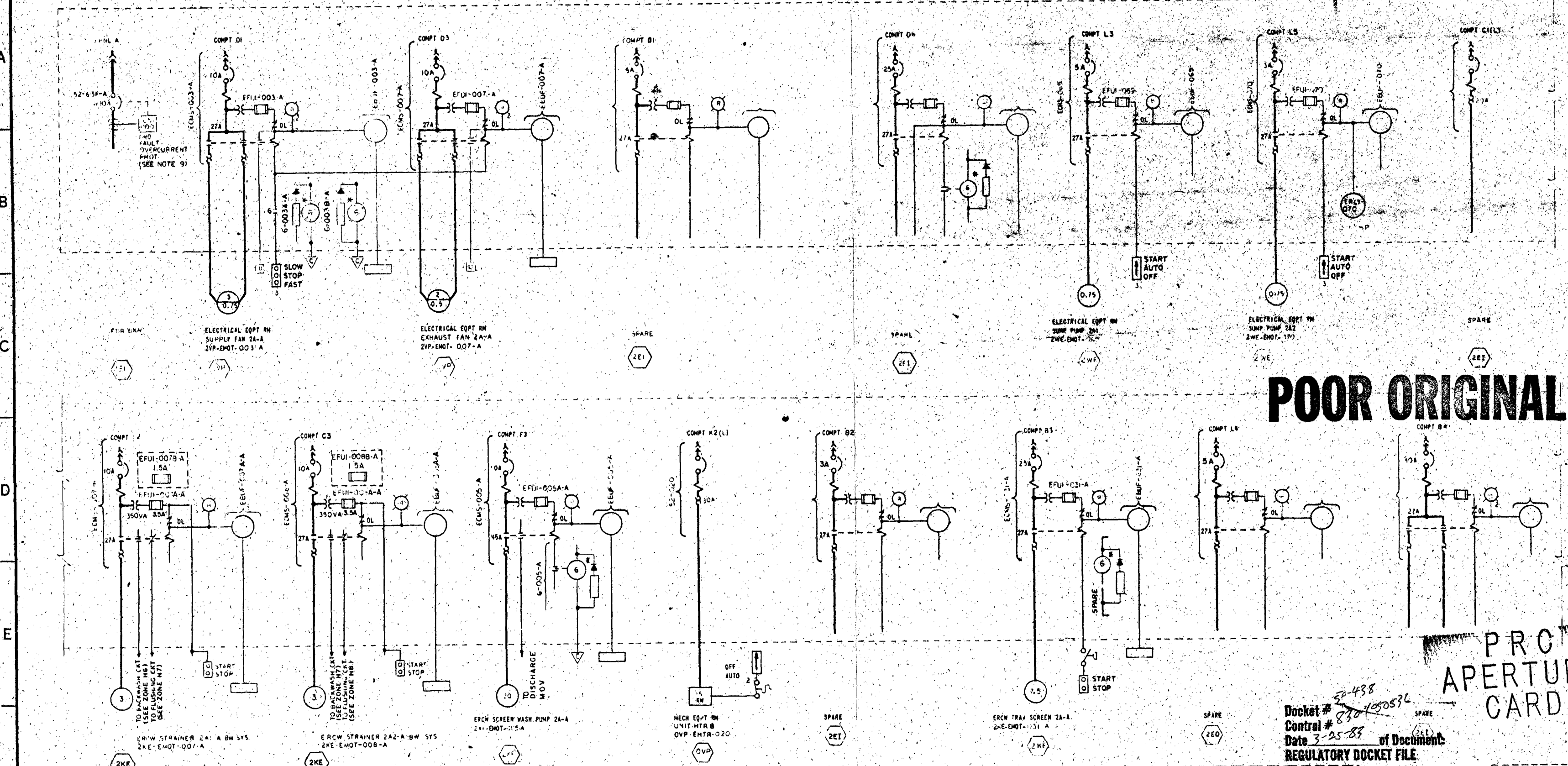


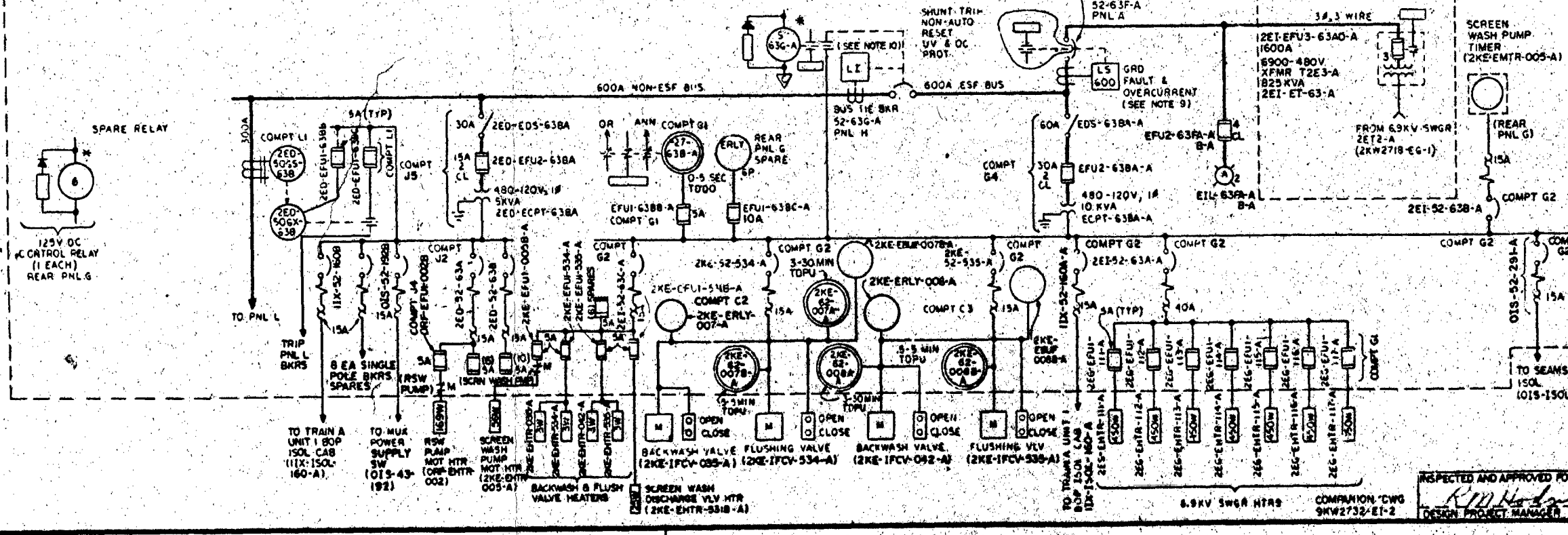
REFERENCE DRAWINGS		
DWG. NO.	PLANT A-C UNIT PWR SYS SINGLE LINE	TITLE
270270-SP-1	480V SWGR 2F3-A SINGLE LINE	
270270-SP-2	480V SWGR 2F3-A SINGLE LINE	
270270-SP-3	480V SWGR 2F3-A SINGLE LINE	
270270-SP-4	480V SWGR 2F3-A SINGLE LINE	
270270-SP-5	480V SWGR 2F3-A SINGLE LINE	
270270-SP-6	480V SWGR 2F3-A SINGLE LINE	
270270-SP-7	480V SWGR 2F3-A SINGLE LINE	
270270-SP-8	480V SWGR 2F3-A SINGLE LINE	
270270-SP-9	480V SWGR 2F3-A SINGLE LINE	
270270-SP-10	480V SWGR 2F3-A SINGLE LINE	
270270-SP-11	480V SWGR 2F3-A SINGLE LINE	
270270-SP-12	480V SWGR 2F3-A SINGLE LINE	

- NOTES:
- 480V MCC PROVIDED ON CONTRACT NO 76K5-8624Z.
 - FROM DEVICE ASSOCIATED WITH THE MCC BUS AND THE SUPPLY AT PNL 15 PART OF THE 480V CLASSIE AT THE 480V SUPPLY WITH UNIT AND SYSTEM IDENTIFICATION. THE 480V SUPPLY WITH UNIT AND SYSTEM IDENTIFICATION SHOWN ON THE DRAWING WITH EXCEPT AS NOTED ALL OTHER ENDS WITH THEIR ASSOCIATED DEVICES ARE PART OF THE 480V SUPPLY WITH UNIT AND SYSTEM IDENTIFICATION. THE 480V SUPPLY WITH UNIT AND SYSTEM IDENTIFICATION SHOWN IN THE HEADLINE SYMBOL EXCEPT AS NOTED IS NOT PART OF THE 480V SUPPLY WITH UNIT AND SYSTEM IDENTIFICATION. THE 480V SUPPLY WITH UNIT AND SYSTEM IDENTIFICATION SHOWN IN THE HEADLINE SYMBOL EXCEPT AS NOTED IS NOT PART OF THE 480V SUPPLY WITH UNIT AND SYSTEM IDENTIFICATION.
 - ALL 3-POLE FUSE CIRCUIT BREAKERS ARE TO BE 480V WITH AN INTERLUPTING RATING NOT LESS THAN 25,000 AMPERE HOURS AT 480V AC CIRCUIT BREAKING CAPABILITY AS NOTED. CIRCUIT BREAKERS TO BE PROVIDED WITH SHUNT TRIP AND 50% OF THE RATED VOLTAGE AT THE COIL.
 - ALL 3-POLE BREAKERS WILL UTILIZE 3-POLE BREAKERS WITH ADJUSTABLE MAGNETIC TRIPPING THINGS ALL THREE BREAKERS HAVE THE SAME MAGNETIC TRIP.
 - ALL 3-POLE COMPARTMENT CONTROL TRANSFORMERS ARE TO BE PROVIDED WITH 2:1 RATIO SECONDARY CONTROL FUSE CIRCUITS EXCEPT WHERE NOTED. FUSES ARE TO BE PROVIDED AS NOTED.
 - ALL 3-POLE INDICATOR LIGHTS TO BE PROVIDED IN THE COMPARTMENTS SHOWN PARALLEL WITH THE STARTER COIL.
 - NO 3-POLE TO BE PROVIDED WITH 3-POLE INDICATOR LIGHTS SHALL BE PROVIDED WITH SHUNT TRIP AND 50% OF THE RATED VOLTAGE AT THE COIL.
 - THIS DRAWING IS SUBJECT TO ALL REQUIREMENTS FOR THE 480V SUPPLY WITH UNIT AND SYSTEM IDENTIFICATION.
 - TVA FIELD TO SET MAIN FOR BKR AMPERE TAP AT 600A. SET LONG TIME PICKUP AT 4.5 AMPERE TAP AND IN MD DELAY. SET INSTANTANEOUS PICKUP AT 4.5 AMPERE TAP AND IN MD DELAY. SET INSTANTANEOUS PICKUP AT 4.5 AMPERE TAP AND IN MD DELAY. SET INSTANTANEOUS PICKUP AT 4.5 AMPERE TAP AND IN MD DELAY.
 - TVA FIELD TO SET BUS TIE BKR AMPERE TAP AT 600A. SET LONG TIME PICKUP AT 4.5 AMPERE TAP AND IN MD DELAY. SET INSTANTANEOUS PICKUP AT 4.5 AMPERE TAP AND IN MD DELAY. SET INSTANTANEOUS PICKUP AT 4.5 AMPERE TAP AND IN MD DELAY.

POOR ORIGINAL



Panel	Component	Rating/Type
B1	1-FVNR SPARE	
B2	1-FVNR SPARE	
B3	1-FVNR SPARE	
B4	1-FVNR SPARE	
B5	1-FVNR SPARE	
B6	1-FVNR SPARE	
B7	1-FVNR SPARE	
B8	1-FVNR SPARE	
B9	1-FVNR SPARE	
B10	1-FVNR SPARE	
B11	1-FVNR SPARE	
B12	1-FVNR SPARE	
B13	1-FVNR SPARE	
B14	1-FVNR SPARE	
B15	1-FVNR SPARE	
B16	1-FVNR SPARE	
B17	1-FVNR SPARE	
B18	1-FVNR SPARE	
B19	1-FVNR SPARE	
B20	1-FVNR SPARE	
B21	1-FVNR SPARE	
B22	1-FVNR SPARE	
B23	1-FVNR SPARE	
B24	1-FVNR SPARE	
B25	1-FVNR SPARE	
B26	1-FVNR SPARE	
B27	1-FVNR SPARE	
B28	1-FVNR SPARE	
B29	1-FVNR SPARE	
B30	1-FVNR SPARE	
B31	1-FVNR SPARE	
B32	1-FVNR SPARE	
B33	1-FVNR SPARE	
B34	1-FVNR SPARE	
B35	1-FVNR SPARE	
B36	1-FVNR SPARE	
B37	1-FVNR SPARE	
B38	1-FVNR SPARE	
B39	1-FVNR SPARE	
B40	1-FVNR SPARE	
B41	1-FVNR SPARE	
B42	1-FVNR SPARE	
B43	1-FVNR SPARE	
B44	1-FVNR SPARE	
B45	1-FVNR SPARE	
B46	1-FVNR SPARE	
B47	1-FVNR SPARE	
B48	1-FVNR SPARE	
B49	1-FVNR SPARE	
B50	1-FVNR SPARE	
B51	1-FVNR SPARE	
B52	1-FVNR SPARE	
B53	1-FVNR SPARE	
B54	1-FVNR SPARE	
B55	1-FVNR SPARE	
B56	1-FVNR SPARE	
B57	1-FVNR SPARE	
B58	1-FVNR SPARE	
B59	1-FVNR SPARE	
B60	1-FVNR SPARE	
B61	1-FVNR SPARE	
B62	1-FVNR SPARE	
B63	1-FVNR SPARE	
B64	1-FVNR SPARE	
B65	1-FVNR SPARE	
B66	1-FVNR SPARE	
B67	1-FVNR SPARE	
B68	1-FVNR SPARE	
B69	1-FVNR SPARE	
B70	1-FVNR SPARE	
B71	1-FVNR SPARE	
B72	1-FVNR SPARE	
B73	1-FVNR SPARE	
B74	1-FVNR SPARE	
B75	1-FVNR SPARE	
B76	1-FVNR SPARE	
B77	1-FVNR SPARE	
B78	1-FVNR SPARE	
B79	1-FVNR SPARE	
B80	1-FVNR SPARE	
B81	1-FVNR SPARE	
B82	1-FVNR SPARE	
B83	1-FVNR SPARE	
B84	1-FVNR SPARE	
B85	1-FVNR SPARE	
B86	1-FVNR SPARE	
B87	1-FVNR SPARE	
B88	1-FVNR SPARE	
B89	1-FVNR SPARE	
B90	1-FVNR SPARE	
B91	1-FVNR SPARE	
B92	1-FVNR SPARE	
B93	1-FVNR SPARE	
B94	1-FVNR SPARE	
B95	1-FVNR SPARE	
B96	1-FVNR SPARE	
B97	1-FVNR SPARE	
B98	1-FVNR SPARE	
B99	1-FVNR SPARE	
B100	1-FVNR SPARE	



PRC APERTURE CARD

Docket # 58438
Control # 82045053L
Date 3-25-88
of Document
REGULATORY DOCKET FILE

- CONTINUED ON UNIT 2732-EI-2
- INDICATING LIGHT R=RED, A=AMBER
 - AUX RELAY & RESPIC NETWORK IS USED FOR INTERFACE WITH SSCS. RELAY COIL IS 120V DC, RESISTOR IS 2K, DIODE IS RATED 75MA, 300V PEAK INVERSE VOLTAGE.
 - THIS FUNCTION TO BE MONITORED BY ONE OR MORE ANNUNCIATION OR ALARM SYSTEMS
 - INTERFACE WITH STATUS ENVIRONMENTAL ALARM MONITORING SYSTEM (SEAMS)
 - INTERFACE WITH REMOTE CONTROL SYSTEM
 - MAN OPERATED CAMPER
 - ELEC OPERATED VALVE

NO.	ECN NO.	DATE	DESCRIPTION	CHKD BY	APP'D BY
1	1		ISSUE FOR CONSTRUCTION		
2	2		REVISED FOR CONSTRUCTION		
3	3		REVISED FOR CONSTRUCTION		
4	4		REVISED FOR CONSTRUCTION		
5	5		REVISED FOR CONSTRUCTION		
6	6		REVISED FOR CONSTRUCTION		
7	7		REVISED FOR CONSTRUCTION		
8	8		REVISED FOR CONSTRUCTION		
9	9		REVISED FOR CONSTRUCTION		
10	10		REVISED FOR CONSTRUCTION		
11	11		REVISED FOR CONSTRUCTION		
12	12		REVISED FOR CONSTRUCTION		
13	13		REVISED FOR CONSTRUCTION		
14	14		REVISED FOR CONSTRUCTION		
15	15		REVISED FOR CONSTRUCTION		
16	16		REVISED FOR CONSTRUCTION		
17	17		REVISED FOR CONSTRUCTION		
18	18		REVISED FOR CONSTRUCTION		
19	19		REVISED FOR CONSTRUCTION		
20	20		REVISED FOR CONSTRUCTION		
21	21		REVISED FOR CONSTRUCTION		
22	22		REVISED FOR CONSTRUCTION		
23	23		REVISED FOR CONSTRUCTION		
24	24		REVISED FOR CONSTRUCTION		
25	25		REVISED FOR CONSTRUCTION		
26	26		REVISED FOR CONSTRUCTION		
27	27		REVISED FOR CONSTRUCTION		
28	28		REVISED FOR CONSTRUCTION		
29	29		REVISED FOR CONSTRUCTION		
30	30		REVISED FOR CONSTRUCTION		
31	31		REVISED FOR CONSTRUCTION		
32	32		REVISED FOR CONSTRUCTION		
33	33		REVISED FOR CONSTRUCTION		
34	34		REVISED FOR CONSTRUCTION		
35	35		REVISED FOR CONSTRUCTION		
36	36		REVISED FOR CONSTRUCTION		
37	37		REVISED FOR CONSTRUCTION		
38	38		REVISED FOR CONSTRUCTION		
39	39		REVISED FOR CONSTRUCTION		
40	40		REVISED FOR CONSTRUCTION		
41	41		REVISED FOR CONSTRUCTION		
42	42		REVISED FOR CONSTRUCTION		
43	43		REVISED FOR CONSTRUCTION		
44	44		REVISED FOR CONSTRUCTION		
45	45		REVISED FOR CONSTRUCTION		
46	46		REVISED FOR CONSTRUCTION		
47	47		REVISED FOR CONSTRUCTION		
48	48		REVISED FOR CONSTRUCTION		
49	49		REVISED FOR CONSTRUCTION		
50	50		REVISED FOR CONSTRUCTION		
51	51		REVISED FOR CONSTRUCTION		
52	52		REVISED FOR CONSTRUCTION		
53	53		REVISED FOR CONSTRUCTION		
54	54		REVISED FOR CONSTRUCTION		
55	55		REVISED FOR CONSTRUCTION		
56	56		REVISED FOR CONSTRUCTION		
57	57		REVISED FOR CONSTRUCTION		
58	58		REVISED FOR CONSTRUCTION		
59	59		REVISED FOR CONSTRUCTION		
60	60		REVISED FOR CONSTRUCTION		
61	61		REVISED FOR CONSTRUCTION		
62	62		REVISED FOR CONSTRUCTION		
63	63		REVISED FOR CONSTRUCTION		
64	64		REVISED FOR CONSTRUCTION		
65	65		REVISED FOR CONSTRUCTION		
66	66		REVISED FOR CONSTRUCTION		
67	67		REVISED FOR CONSTRUCTION		
68	68		REVISED FOR CONSTRUCTION		
69	69		REVISED FOR CONSTRUCTION		
70	70		REVISED FOR CONSTRUCTION		
71	71		REVISED FOR CONSTRUCTION		
72	72		REVISED FOR CONSTRUCTION		
73	73		REVISED FOR CONSTRUCTION		
74	74		REVISED FOR CONSTRUCTION		
75	75		REVISED FOR CONSTRUCTION		
76	76		REVISED FOR CONSTRUCTION		
77	77		REVISED FOR CONSTRUCTION		
78	78		REVISED FOR CONSTRUCTION		
79	79		REVISED FOR CONSTRUCTION		
80	80		REVISED FOR CONSTRUCTION		
81	81		REVISED FOR CONSTRUCTION		
82	82		REVISED FOR CONSTRUCTION		
83	83		REVISED FOR CONSTRUCTION		
84	84		REVISED FOR CONSTRUCTION		
85	85		REVISED FOR CONSTRUCTION		
86	86		REVISED FOR CONSTRUCTION		
87	87		REVISED FOR CONSTRUCTION		
88	88		REVISED FOR CONSTRUCTION		
89	89		REVISED FOR CONSTRUCTION		
90	90		REVISED FOR CONSTRUCTION		
91	91		REVISED FOR CONSTRUCTION		
92	92		REVISED FOR CONSTRUCTION		
93	93		REVISED FOR CONSTRUCTION		
94	94		REVISED FOR CONSTRUCTION		
95	95		REVISED FOR CONSTRUCTION		
96	96		REVISED FOR CONSTRUCTION		
97	97		REVISED FOR CONSTRUCTION		
98	98		REVISED FOR CONSTRUCTION		
99	99		REVISED FOR CONSTRUCTION		
100	100		REVISED FOR CONSTRUCTION		

INTAKE PUMP STATION		
UNIT 2		
SINGLE LINE		
480V MCC 2F3-A		
2E1-EMCC-63-A		
Bellefonte Nuclear Plant		
Tennessee Valley Authority		
Division of Engineering Design		
SUBMITTED	RECOMMENDED	APPROVED
[Signature]	[Signature]	[Signature]
NOV 12 1988	NOV 12 1988	NOV 12 1988
KNOXVILLE 12/20/88 88 E 9KMW2732-EI-1 R3		