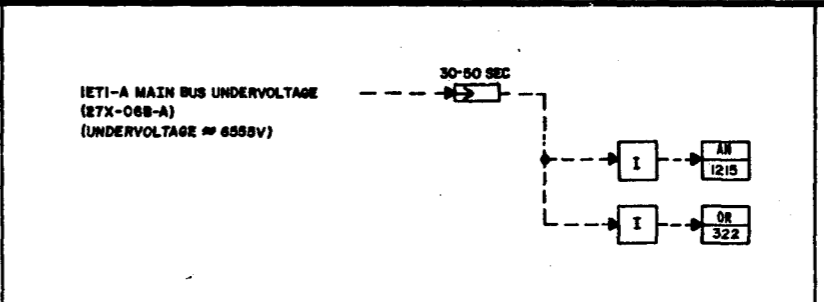
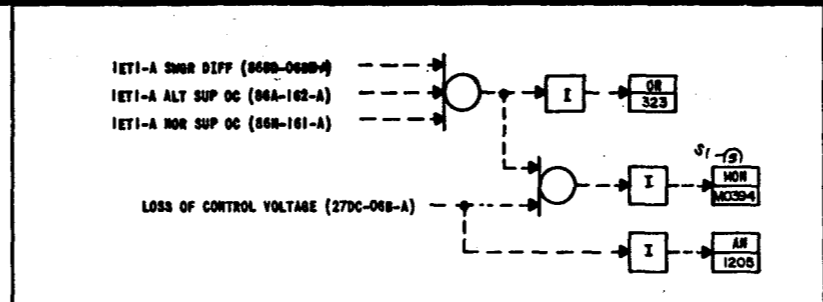
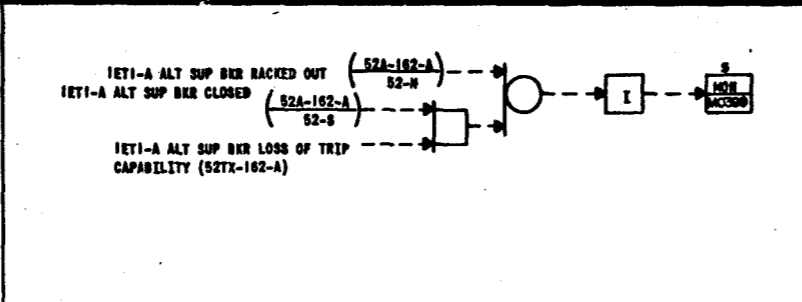
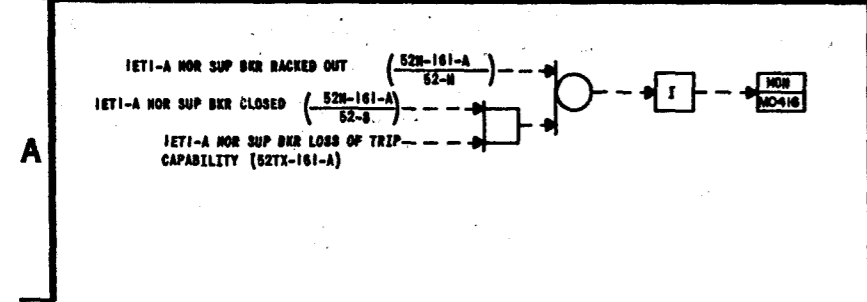


1 2 3 4 5 6 7 8 9 10 11 12



NOTES: 1. FOR GENERAL NOTES AND REFERENCE DRAWINGS SEE 2AW0900-EG-01.

Table with columns: LOOP NO., SEAMS PT NO., SEAMS PT NO. 52TX. Rows include IETI-A, 2ETI-A, IETI-B, 2ETI-B.

Table with columns: LOOP NO., SEAMS PT NO., SEAMS PT NO. 52TX. Rows include IETI-A, 2ETI-A, IETI-B, 2ETI-B.

Table with columns: LOOP NO., SEAMS PT NO., SEAMS PT NO. 270C. Rows include IETI-A, 2ETI-A, IETI-B, 2ETI-B.

Table with columns: LOOP NO., SEAMS PT NO., SEAMS PT NO. 270C. Rows include IETI-A, 2ETI-A, IETI-B, 2ETI-B.

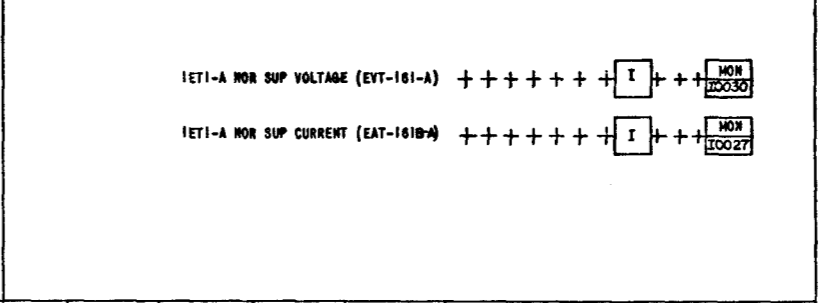
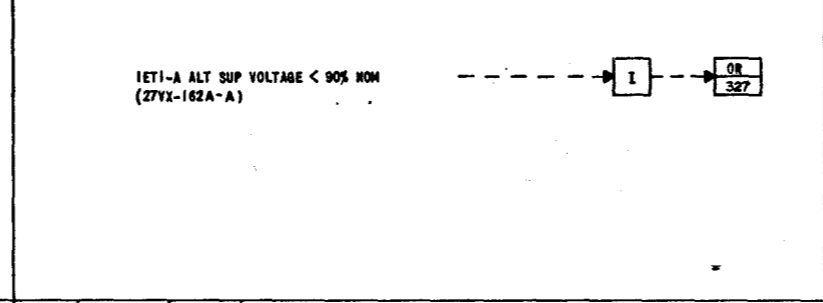
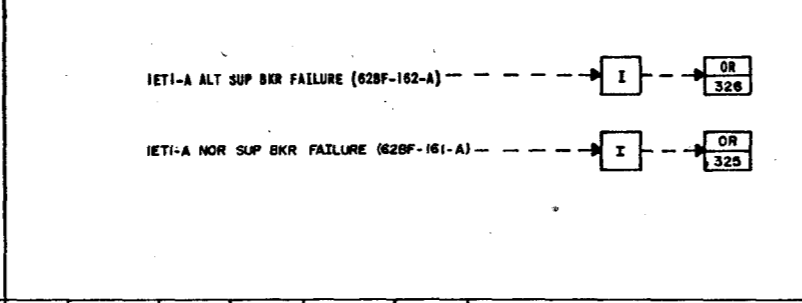
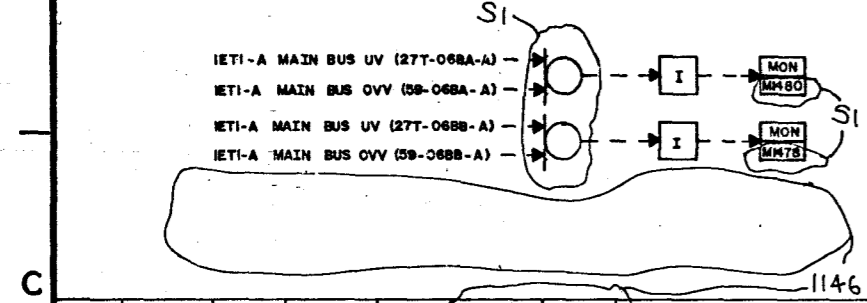


Table with columns: LOOP NO., SEAMS PT NO., SEAMS PT NO. 52TX. Rows include IETI-A, 2ETI-A, IETI-B, 2ETI-B.

Table with columns: LOOP NO., SEAMS PT NO., SEAMS PT NO. 52TX. Rows include IETI-A, 2ETI-A, IETI-B, 2ETI-B.

Table with columns: LOOP NO., SEAMS PT NO., SEAMS PT NO. 52TX. Rows include IETI-A, 2ETI-A, IETI-B, 2ETI-B.

Table with columns: LOOP NO., SEAMS PT NO., SEAMS PT NO. 52TX. Rows include IETI-A, 2ETI-A, IETI-B, 2ETI-B.

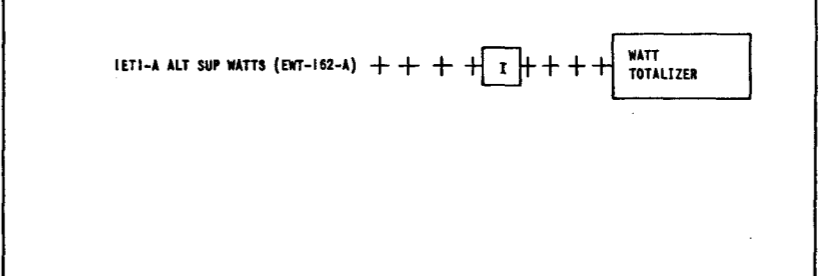
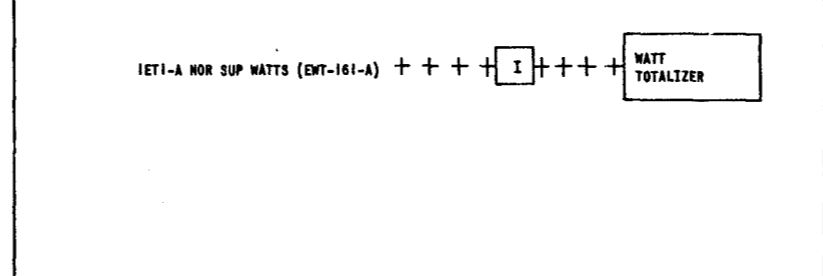
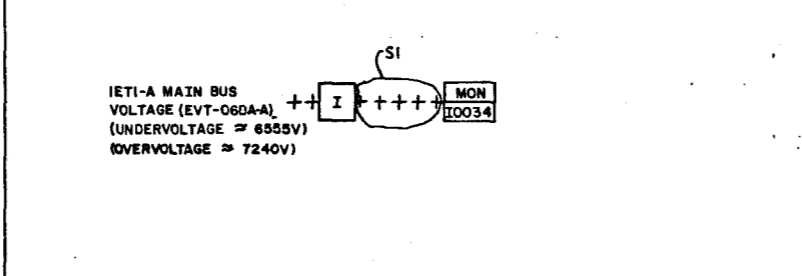
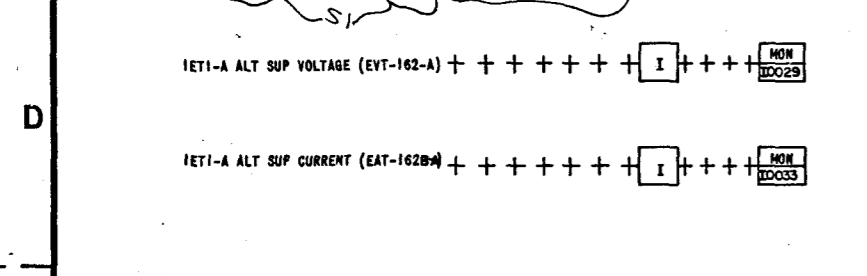


Table with columns: LOOP NO., SEAMS PT NO., SEAMS PT NO. 52TX. Rows include IETI-A, 2ETI-A, IETI-B, 2ETI-B.

Table with columns: LOOP NO., SEAMS PT NO., SEAMS PT NO. 52TX. Rows include IETI-A, 2ETI-A, IETI-B, 2ETI-B.

Table with columns: LOOP NO., SEAMS PT NO., SEAMS PT NO. 52TX. Rows include IETI-A, 2ETI-A, IETI-B, 2ETI-B.

Table with columns: LOOP NO., SEAMS PT NO., SEAMS PT NO. 52TX. Rows include IETI-A, 2ETI-A, IETI-B, 2ETI-B.

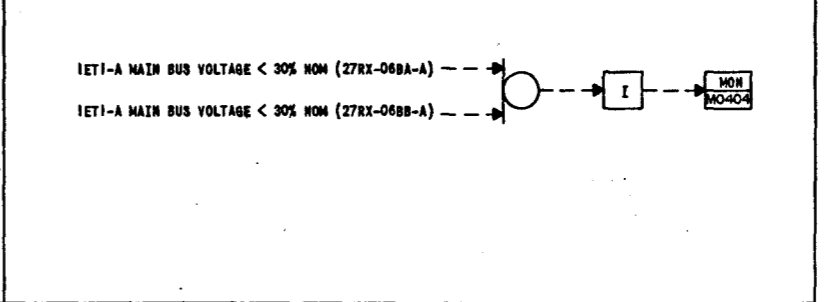
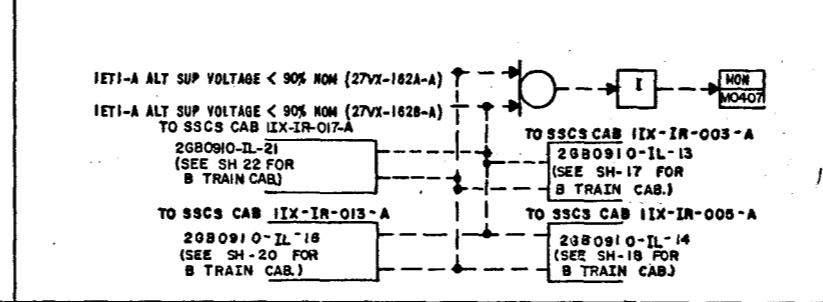
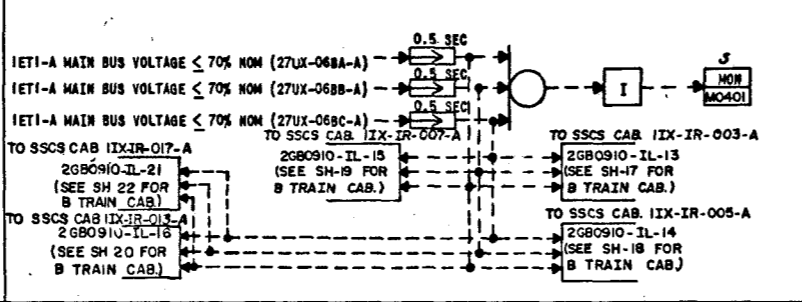
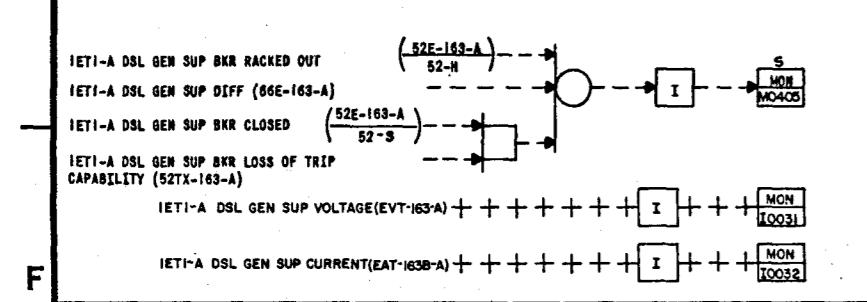


Table with columns: LOOP NO., SEAMS PT NO., SEAMS PT NO. 52TX. Rows include IETI-A, 2ETI-A, IETI-B, 2ETI-B.

Table with columns: LOOP NO., SEAMS PT NO., SEAMS PT NO. 52TX. Rows include IETI-A, 2ETI-A, IETI-B, 2ETI-B.

Table with columns: LOOP NO., SEAMS PT NO., SEAMS PT NO. 52TX. Rows include IETI-A, 2ETI-A, IETI-B, 2ETI-B.

Table with columns: LOOP NO., SEAMS PT NO., SEAMS PT NO. 52TX. Rows include IETI-A, 2ETI-A, IETI-B, 2ETI-B.

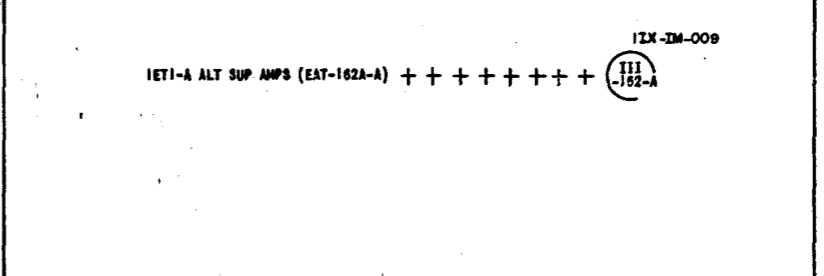
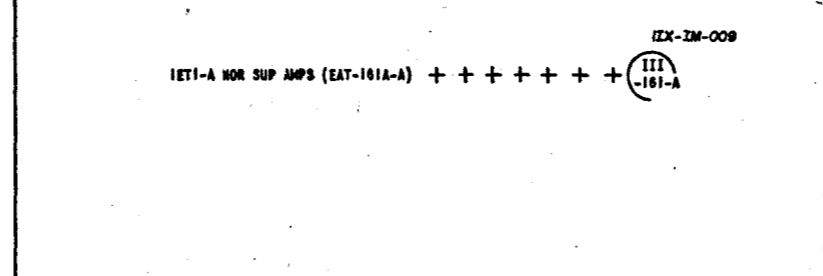
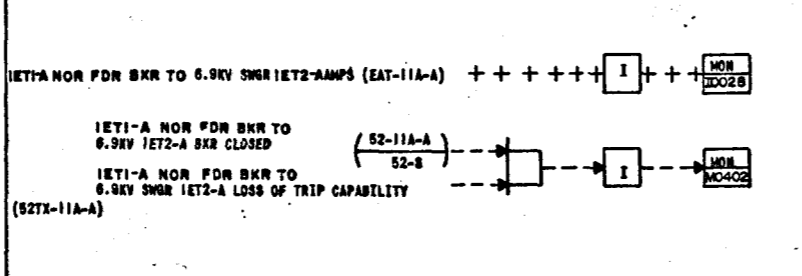
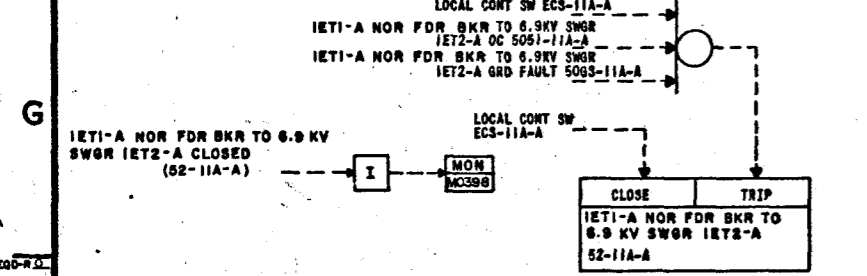


Table with columns: LOOP NO., SEAMS PT NO., SEAMS PT NO. 52TX. Rows include IETI-A, 2ETI-A, IETI-B, 2ETI-B.

Table with columns: LOOP NO., SEAMS PT NO., SEAMS PT NO. 52TX. Rows include IETI-A, 2ETI-A, IETI-B, 2ETI-B.

Table with columns: LOOP NO., SEAMS PT NO., SEAMS PT NO. 52TX. Rows include IETI-A, 2ETI-A, IETI-B, 2ETI-B.

Table with columns: LOOP NO., SEAMS PT NO., SEAMS PT NO. 52TX. Rows include IETI-A, 2ETI-A, IETI-B, 2ETI-B.

Docket # 30-438 Control # 3102080064 Date 2/20/02 of Document REGULATORY DOCKET FILE

SYMBOLS: I - ISOLATOR, OR - OPERATIONS RECORDER

APERTURE CARD

Revision table, project information, and approval signatures for POWERHOUSE UNITS 1 & 2 CONTROL LOGIC & SSCS INTERFACE 6.9KV CLASS IE AC AUX POWER DISTRIBUTION SYSTEM.

PRINTS REQUIRED BY PROJ. DATE SIZE