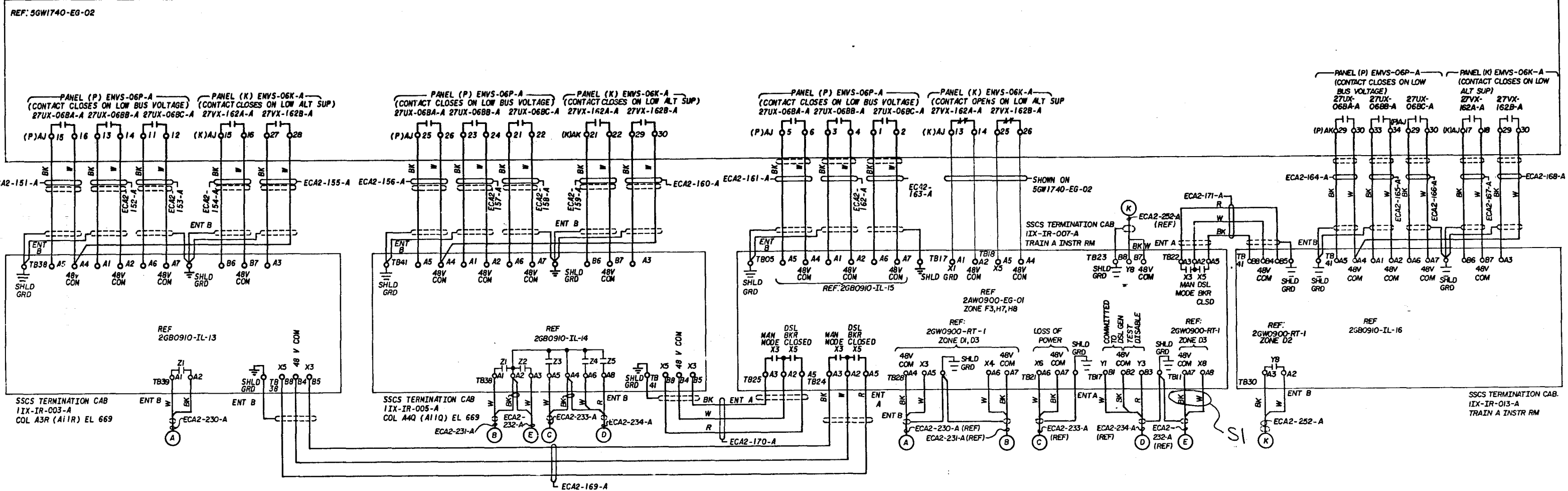


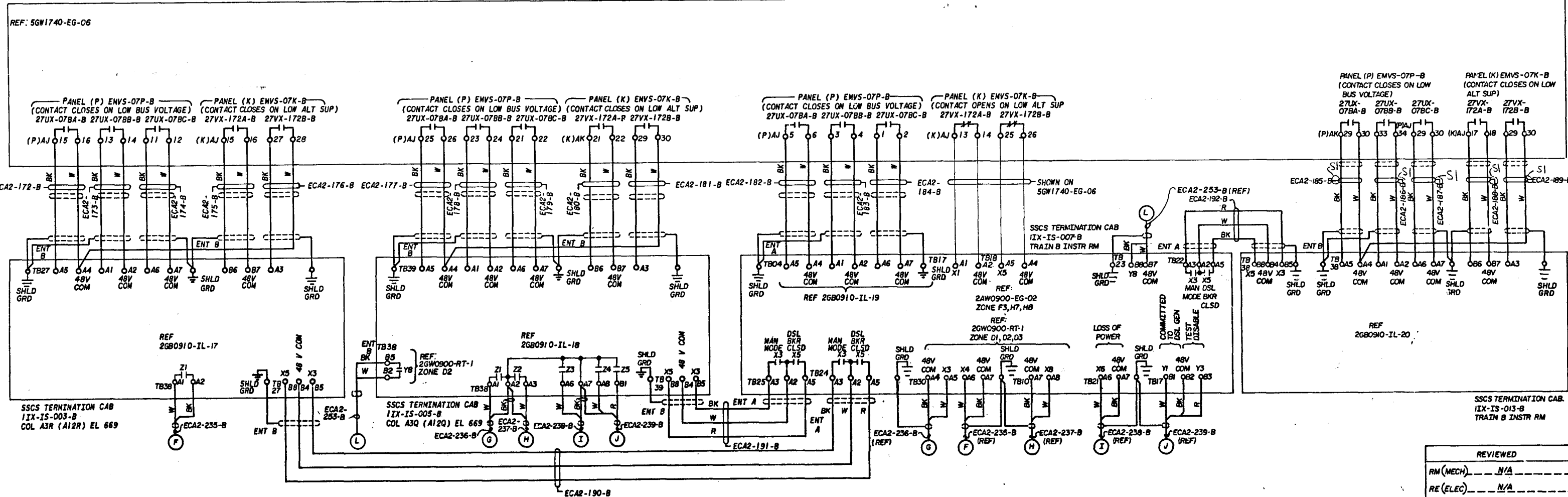
6.9 KV SWITCHGEAR IET1-A
IEG-EMVS-06-A
COL A45 EL 649



- NOTES:
1. ALL INPUTS TO SSCS CABINETS SHOWN ON THIS SHEET ARE RELATED TO THE SEQUENCER.
 2. FOR GENERAL NOTES SEE SHEET 1.

APERTURE CARD

6.9 KV SWITCHGEAR IET1-B
IEG-EMVS-07-B
COL A25 EL 649



Docket # ~~52020~~
Contract # 52020
Date ~~3/22/78~~ of Document
REGULATORY DOCKET FILE

REV NO.	1	DATE	10-10-79	BY	W. J. ...	CHKD	...
REVERSED WIRE COLOR. ADD: LEADERS TO CABLE NO'S.							
REVISED SLOT ASSIGNMENTS, UPDATE TO CURRENT FCLO STATUS.							
SCALE EXCEPT AS NOTED							

GENERAL UNITS 1 & 2

SCHEMATIC DIAGRAM SOLID STATE CONTROL SYSTEM

REVIEWED	RM (MECH)	N/A
RE (ELEC)	N/A	
RC (CIVIL)	N/A	
INSPECTED AND APPROVED FOR ISSUE	M. W. ... DATE: 4-25-78	
BELLEFONTE NUCLEAR PLANT TENNESSEE VALLEY AUTHORITY DIVISION OF ENGINEERING DESIGN		
KNOXVILLE 4-25-78 88 E 5GNO640-IL-07 R2		

PANT	H	J
SIZE	P	0