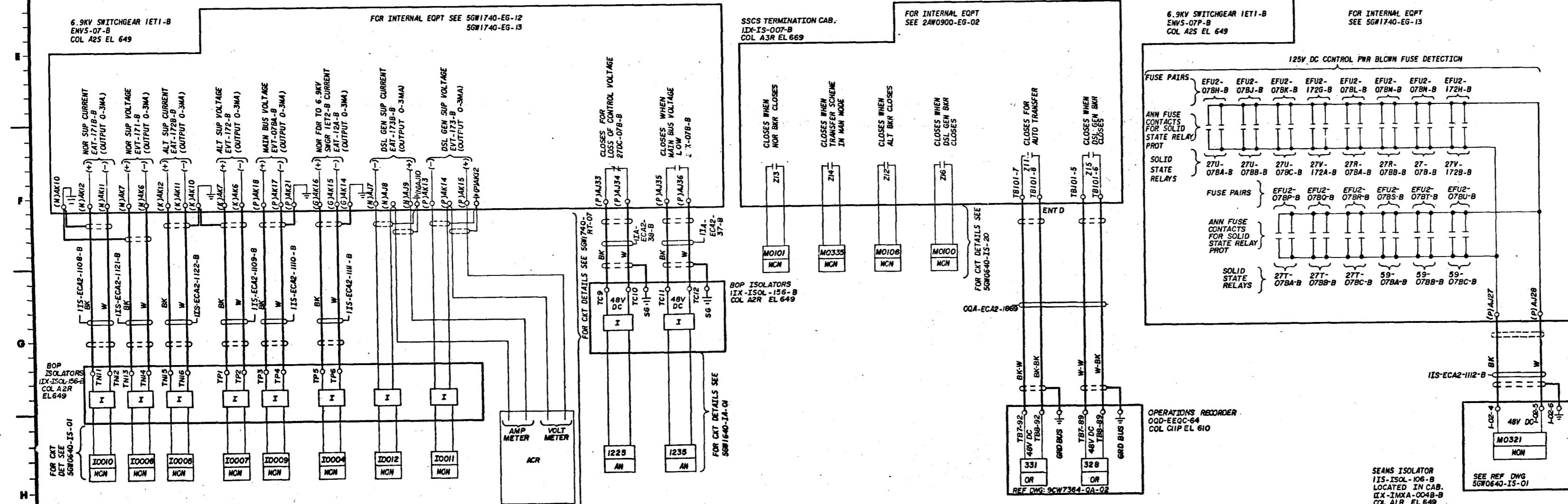


6.9KV SWITCHGEAR IETI-B, IEG-EMVS-07-B, MONITORING



6.9KV SWITCHGEAR IETI-B, IEG-EMVS-07-B, MONITORING

APERTURE CARD

Docket # 30-438
Control # 9202080064
Date 9/20/22 of Document
REGULATORY DOCKET FILE

REV	DATE	DESCRIPTION	BY	CHKD	APPD
5	11-46-81	5-73-11
4	7-73	DELETED SEAMS MONITORING POINTS.
3	7-73	CHANGED 82BF CONTACT TO EARLY CONTACT, & ADDED 52S AUX CONTACT.
2	5-18-79	INCORPORATED THE NEW & MODIFIED DESIGN REQUIREMENTS FOR BUS TRANSFERS & VOLTAGE ANN POINTS.
1	1-31-77	ADDED SEAMS AND BOP ISOLATOR TERMINAL POINTS, BOP ISOLATOR SIGNAL PATHS & REF DWG NO. MINOR CHANGES.

ADDED MONITORING PT NO., OPERATIONS RCOR NOTATION AND TERMINAL PT, CABLE COLOR CODES AND MINOR REVISIONS PER 91.

SCALE EXCEPT AS NOTED

GENERAL UNIT 1

SYSTEM SCHEMATIC

6.9KV CLASS 1E AC AUX PWR DISTRIBUTION SYSTEM

BELLEFONTE NUCLEAR PLANT
TENNESSEE VALLEY AUTHORITY
DIVISION OF ENGINEERING DESIGN

SUBMITTED: *W.L. Anderson* RECOMMENDED: *...* APPROVED: *...*

KNOXVILLE, TN 379-77 88 E 56M1740-EG-09 R5

PRINT IN 1/2" SIZE
OR ON PROJ. SHEET OR ON 11" X 17" IN.
PRINTS RECORD-1