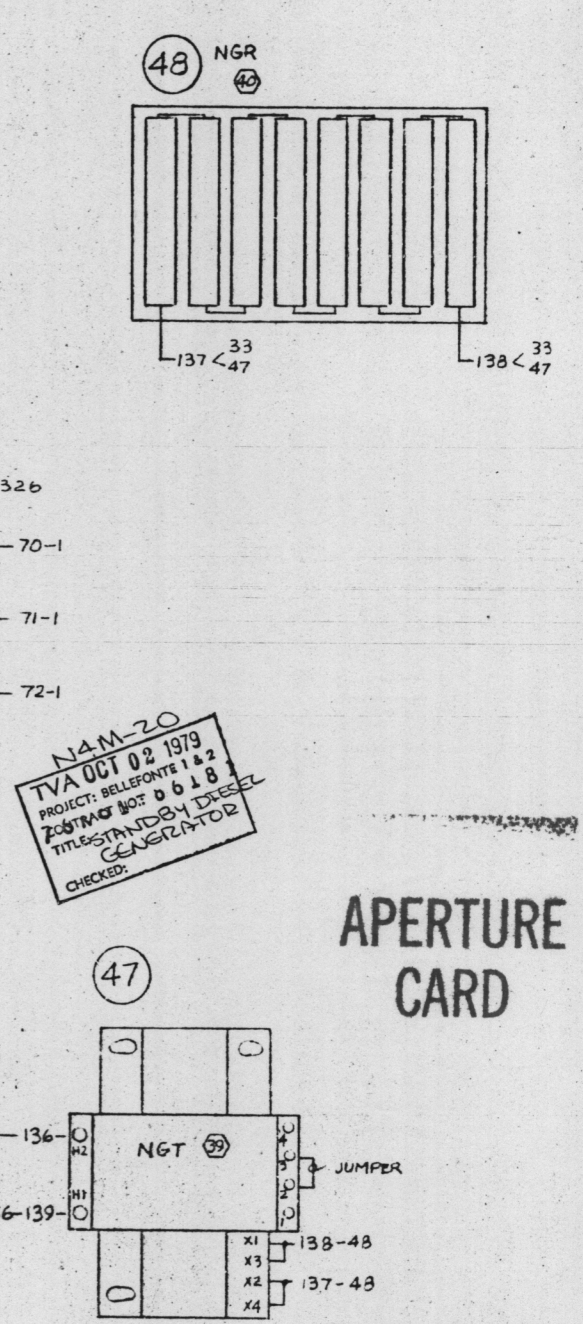
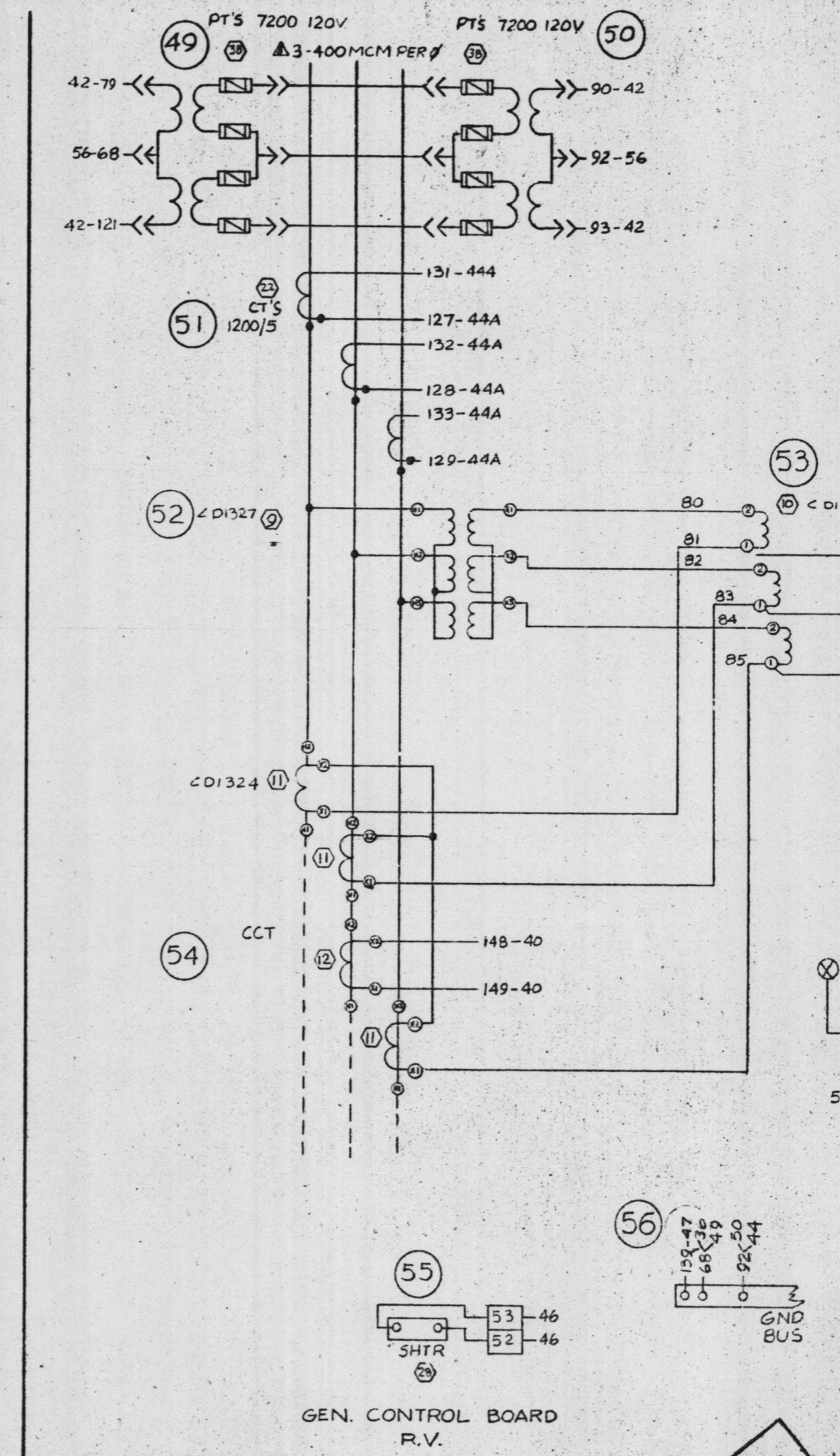


RIGHT COMPARTMENT (FRONT VIEW)



APPROVED
TVA OCT 02 1979
PROJECT: BELLEFONTE 1 & 2
REGISTRAR NOT D 6 J B
TITLE: STAND-BY DIESEL
GENERATOR
CHECKED:

APERTURE CARD

TENNESSEE VALLEY AUTHORITY
CONTRACT NO. 76K61-86131
BELLEFONTE UNITS 1 & 2

NO.	REVISIONS	BY	DATE
9	PER CUST. REVISED PRINT B-22-79	K.P.	9-10-79
8	REDRAWN	A.Q.	10-26-78
7	CORRECTION	J.E.	3-18-78
6	AS BUILT	J.E.	3-2-78
5	PER CUST. REVISED PRINT	M.E.	1-27-78
4	PER CUST. LETTER DTD 11-08-77	H.S.	11-15-77
3	PER CUST. REVISED PRINT	CTH	7-22-77
2	AS BUILT	CTH	5-27-77
1	PER CUST. PRINT	DAS	3-3-77

CONNECTION DIAGRAM
DIESEL GENERATOR LOCAL PANEL

ENGINEER TVA
CUSTOMER DE LAVAL
P.O. NO. 62566

APPROVED
TVA OCT 29 1979
PROJECT: BELLEFONTE 1 & 2
REGISTRAR NOT D 6 J B
TITLE: STAND-BY DIESEL
GENERATOR
CHECKED:

DRAWN BY A.Q.
DWG. NO. D54200-3
SHEET 3 OF 4
DATE 9-10-79

Docket # 30-493
Control # 320205064
Date 8-20-2022 of Document
REGULATORY DOCKET FILE

Post Office Box 1995
705 N. Carlin
Telephone 464-3421
Stockton, California 95201