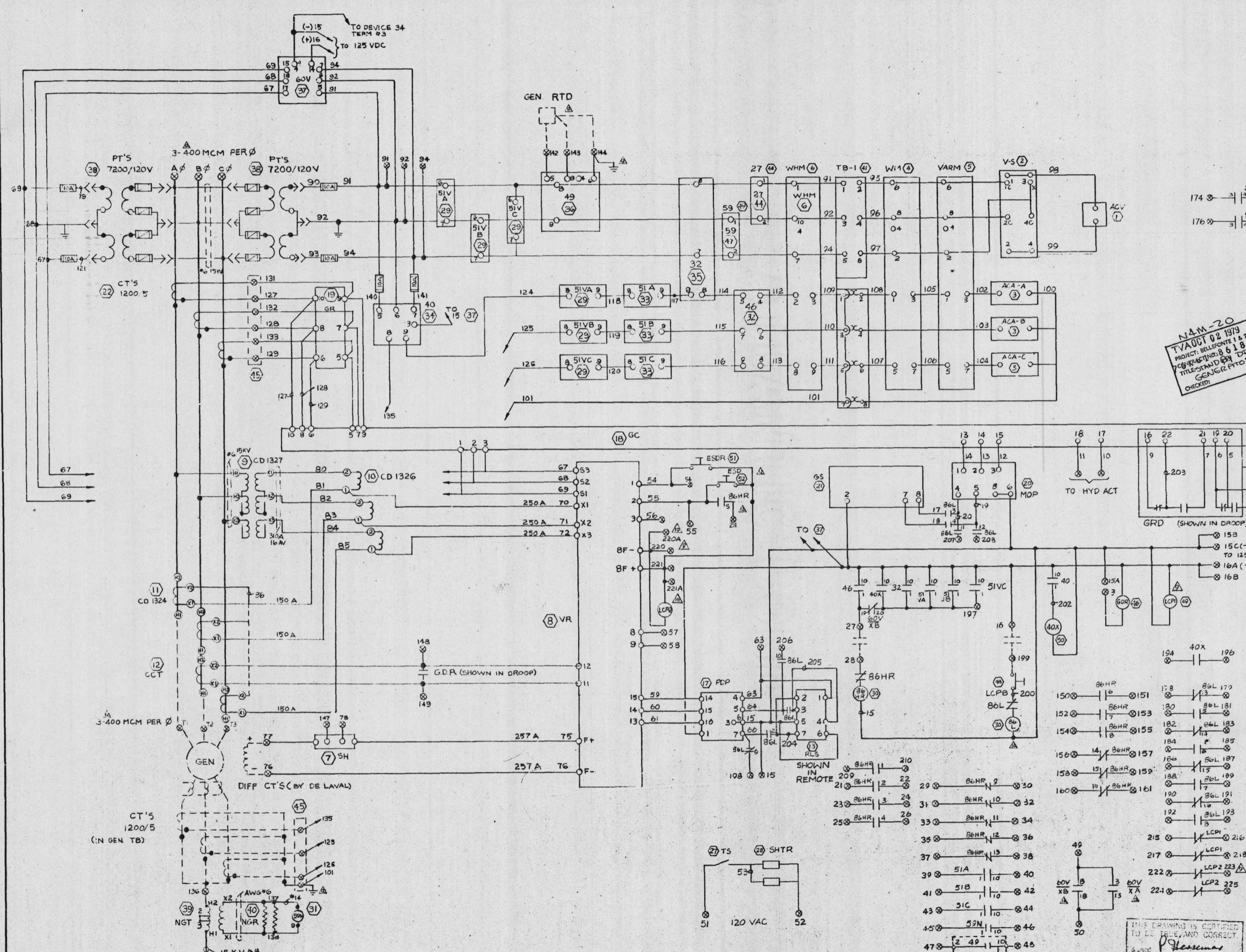


○ B/M ITEM NO
 ⊗ OUTGOING TERMINAL



N.A.M.-20
 T.V.A. OCT 02 1978
 PROJECT: BELLEFONTE 1 & 2
 CONTRACT NO. 66181
 TITLE: SCHEMATIC DIESEL
 GEN. CONTROL PANEL
 CHECKED

APPROVED
 This approval does not relieve
 the Contractor from any part of his
 responsibility for the correctness
 of design, details, and dimensions
 TENSILE
 DATE: OCT 20 1978
 (BY: [Signature])

APERTURE CARD

TENNESSEE VALLEY AUTHORITY
 CONTRACT NO. 7581-86181
 BELLEFONTE UNITS 1 & 2

NO.	REVISIONS	BY	DATE
12	PER CUST. REVISED PRINT	K.F.	3-10-77
11	REDRAWN	A.W.	10-25-77
10	AS BUILT	J.E.	3-2-78
9	PER CUST. REVISED PRINT	M.E.	1-26-78
8	CHANGE PER MARKED ON DWG DTD 11-23-77	M.E.	12-21-77
7	PER CUST. LETTER DTD 11-08-77	H.S.	11-15-77
6	PER CUST. REVISED PRINT	CTH	7-22-77
5	AS BUILT	CTH	5-27-77
4	REV. MOP TB ADDED LCP	DAS	3-3-77
3	PER CUST. REVISED PRINT	CTH	1-23-77
2	MISC. REV.	M.H.	1-4-77
1	MISC. REV.	CTH	7-21-76

SCHEMATICS
 DIESEL GENERATOR LOCAL PANELS
 BELLEFONTE NUCLEAR PLANT
 TENNESSEE VALLEY AUTHORITY

ENGINEER: TVA
 CUSTOMER: DE LAVAL
 P.O. NO.: 62566



Post Office Box 1995
 705 N. Carlton
 Telephone 458-2621
 Stockton, California 95201

DRAWN BY: A.G.
 DWG. NO. D54200-2
 SHEET 2 OF 4
 DATE: 9-10-79

Docket # 50-438
 Control # 320208064
 Date 8/22/02 of Document
 REGULATORY DOCKET FILE

THIS DRAWING IS CERTIFIED
 TO BE TRUE AND CORRECT
 Signed: P. Hessemer
 Project Engineer
 Date: 9-10-79