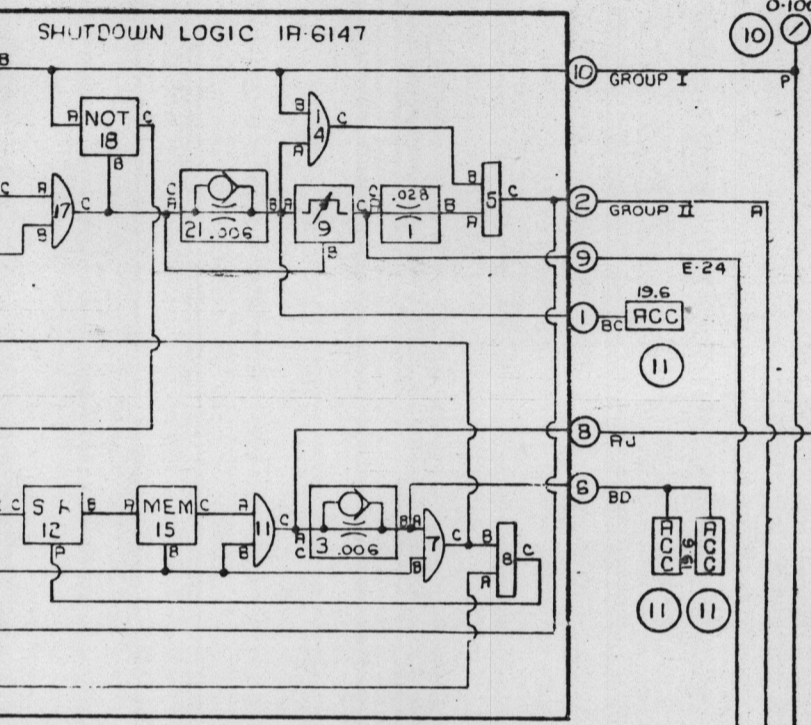


MAINTENANCE MODE SELECT RETURN TO OPERATIONAL

SHUTDOWN SYSTEM ACTIVE

SHUTDOWN DEACTIVATE

STOP



APERTURE CARD

APPROVED
This approval does not relieve the Contractor from any part of his responsibility for the correctness of design, analysis, and construction of the project.
DATE OCT 29 1979
BY: G.A. CHAFFET
TITLE: ENGINEER

NAM-20
TVA SEP 18 1979
PROJECT: BELLEFONTE #2
SHEET # 6181
TITLE: STANDARD DIESEL GENERATOR
CHECKED:

DELAVAL TURBINE INC. ENGINE AND COMPRESSOR DIVISION OAKLAND, CALIFORNIA 94621

DELAVAL

CONTROL PANEL SCHEMATIC

MATERIAL AND HARDNESS — APP. R.E. Devinda DWN 11-7-78 E.H.HANNETT SHEET 1 OF 9
SCALE — CKD. R.E. Devinda 09-500-75080 H

Docket # 30-438
Control # 3202080064
Date 8/22/02 of Document
REGULATORY DOCKET FILE

TVA DSRV16-4N

SEE SHEET 9 FOR CURRENT REV.