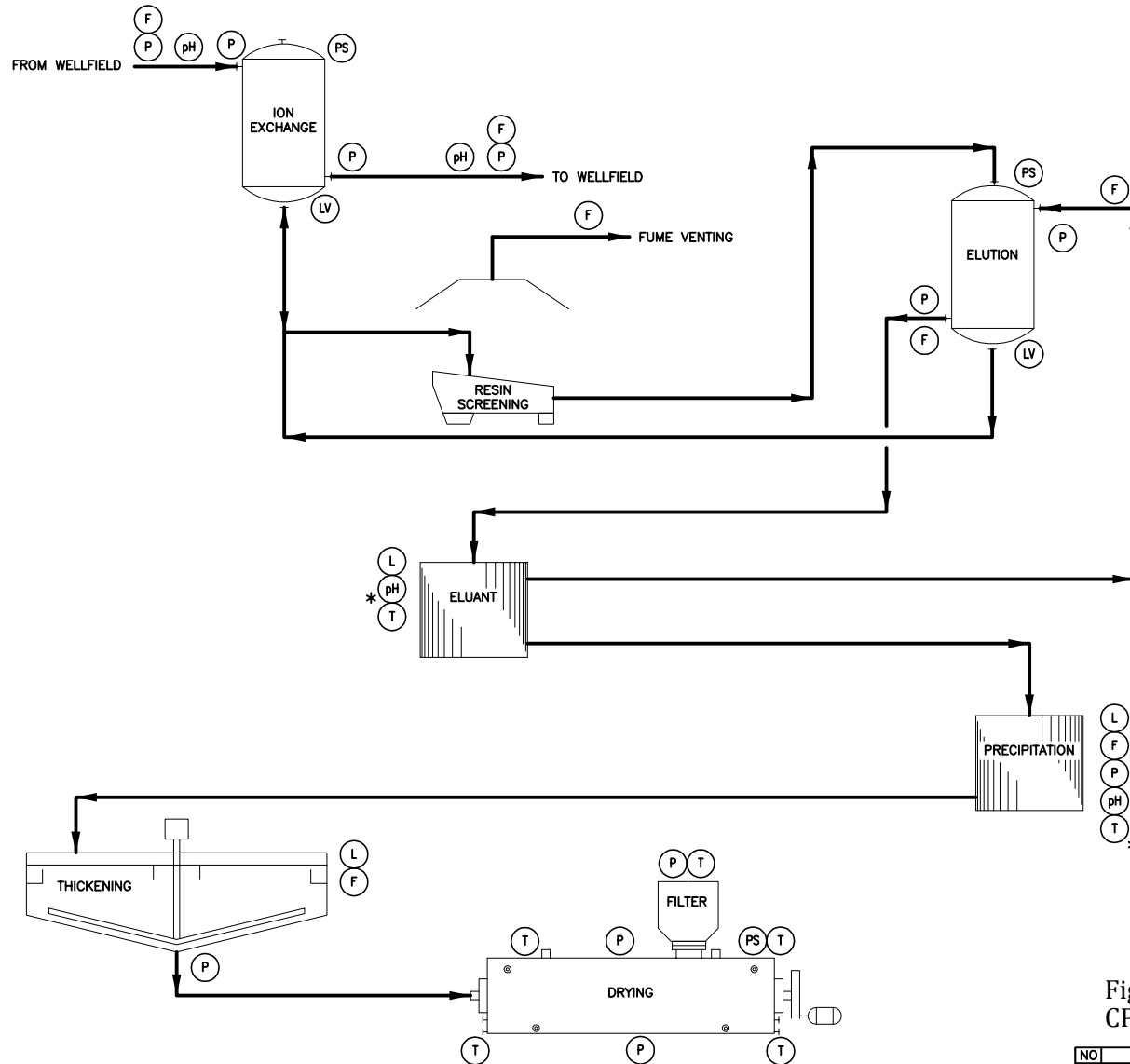


LEGEND:

- (F) FLOW METER
- (L) LEVEL TRANSMITTER
- (LV) LEVEL INDICATION (VISUAL ONLY)
- (P) PRESSURE TRANSMITTER
- (pH) pH TRANSMITTER
- (PS) PRESSURE SAFETY VALVE
- (T) TEMPERATURE TRANSMITTER
- * INDICATES OPTIONAL OR NOT APPLICABLE TO ALL EQUIPMENT



CONTROL PHILOSOPHY NOTES:

1. TRANSMITTERS WILL USE 4–20mA SIGNALS MONITORED BY THE PLC WITH PROGRAMMABLE HI/LO ALARM THRESHOLDS USED TO TRIGGER AUTOMATED SEQUENTIAL SHUTDOWNS OF EQUIPMENT
2. PUMPS WILL BE MONITORED WITH PRESSURE TRANSMITTERS
3. MOTOR STARTERS WILL BE MONITORED FOR RUNNING STATUS AND OVERLOAD
4. VFDs WILL BE MONITORED FOR MOTOR RUNNING, SPEED, CURRENT AND ALARM STATUS
5. FLOW METERS WILL PRODUCE INSTANTANEOUS 4–20mA SIGNALS TOTALIZED IN PLC

DRAWING NO. _____ DRAWING TITLE _____
 REFERENCE DRAWINGS _____
 THIS DRAWING WAS PREPARED BY LYNTEK, ALL OF THE INFORMATION CONTAINED THEREIN IS THE PROPERTY OF LYNTEK AND NO REPRODUCTION CAN BE MADE WITHOUT THE PROPER WRITTEN AUTHORIZATION OF LYNTEK.

Figure 3.3-1 Preliminary CPP Monitoring Point

NO.	REVISIONS	BY	APP	DATE
1	STRATA ENERGY			ROSS ISR PROJECT PLANT DESIGN
PRELIMINARY MONITOR POINTS WITHIN CPP				
LYNTEK INCORPORATED				
CAD-OP	C.SPICER	08/12/10		DATE/TIME LAST MODIFIED
CKD.				120910.0945
P.M.	J. KYLE			DRAWING NO. REV.
SCALE:	() N.T.S.			SKETCH-01