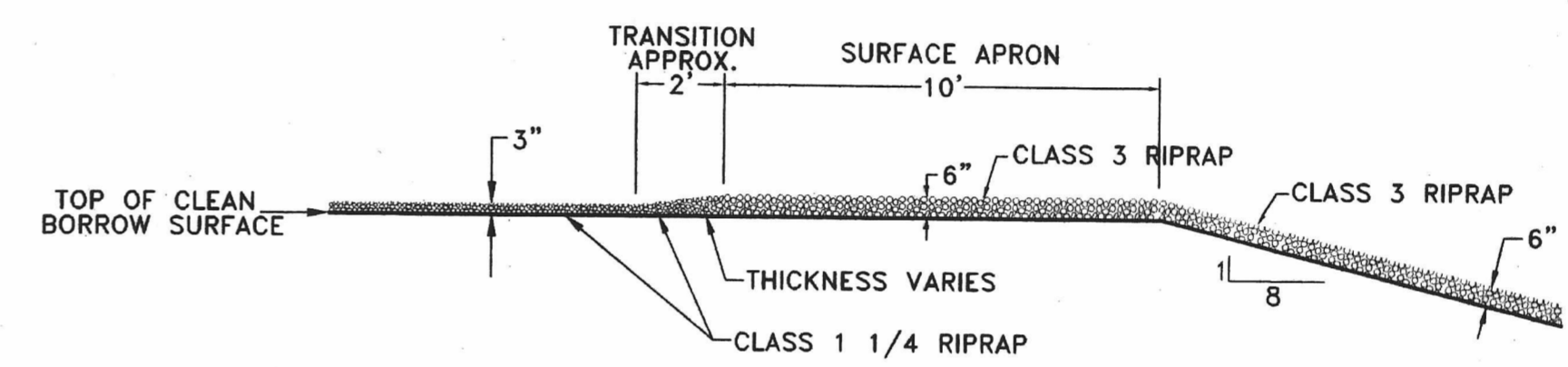
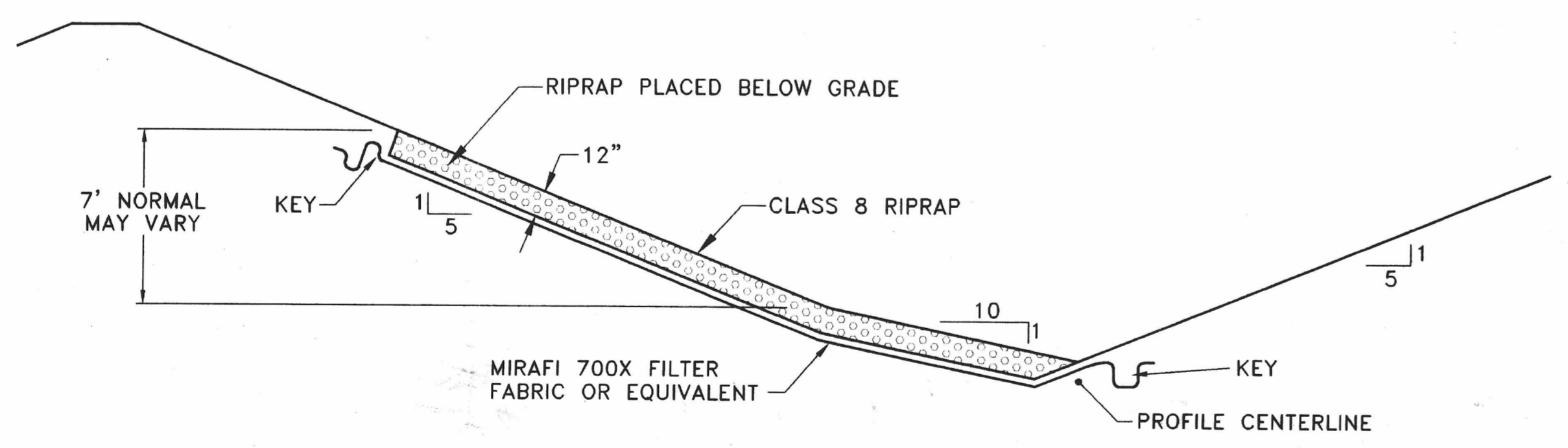


DETAIL 1 - RIPRAP ON CAMPSITE  
DRAW DIVERSION BERM  
SCALE: 1" = 100'



DETAIL 3 - TRANSITION OF SIDE  
SLOPE AND SURFACE RIPRAP  
SCALE: 1" = 4'



DETAIL 2 - CAMPSITE DRAW DIVERSION SECTION  
SCALE: 1" = 5' Vertical, 1" = 10' Horizontal (2x Vertical Exaggeration)

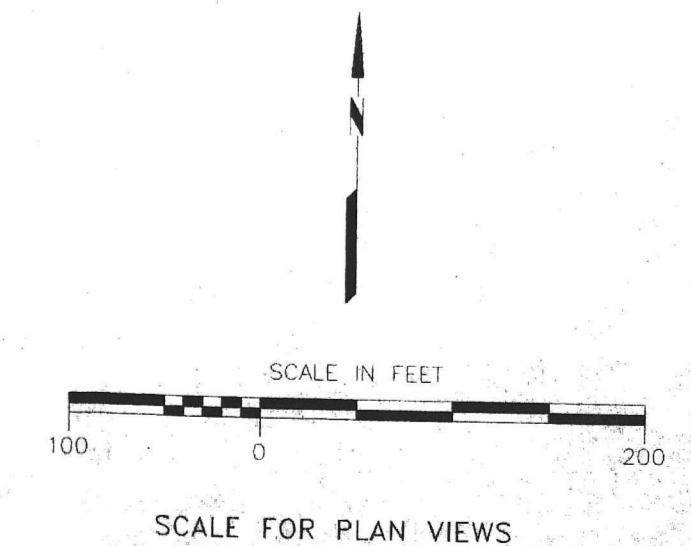
**NOTES:**

- COORDINATES PROVIDED FOR THE NORTH TOE AND SOUTH MARGIN APRONS ARE APPROXIMATE. ENGINEER WILL LOCATE THE EXTENT OF RIPRAP IN THE FIELD.
- TRANSITION DETAIL (DETAIL 4) APPLIES TO ALL LOCATIONS WHERE THE CLASS 1 1/4 RIPRAP MEETS THE CLASS 3 RIPRAP.
- SUPPLY AND INSTALLATION OF FILTER FABRIC WILL NOT BE MEASURED SEPARATELY FOR PAYMENT BUT WILL BE CONSIDERED SUBSIDIARY TO THE CLASS 8 RIPRAP.

BASE MAPPING PROVIDED BY HORIZONS, INC. RAPID CITY, S.D. (1995) AND SUPPLEMENTED WITH HORIZONS (1987).  
CONTOUR INTERVAL = 2'

**LEGEND:**

- PROJECT LIMITS
- NEW RESTRICTED AREA FENCE
- ▨ AREA OF RIPRAP



9702060430

ANSTEC  
APERTURE  
CARD

NO.	DESCRIPTION	BY	CHKD.	APPROVED	DATE
1	PRELIMINARY DESIGN	RDP		KJB	11/95
2	SUBSTANTIAL DESIGN	RDP		KJB	3/96

DRAWING NO.	DRAWING TITLE
9	PLAN VIEW - ROCK & REVEGETATION DETAILS

DESIGNERS	ENGINEERING RECORD	BY	DATE
	RIPRAP DESIGN	KJB	2/96
	RIPRAP DESIGN	MKR	2/96

PREPARED BY

**engineering planning surveying** p.c.

PHONE (207) 857-8027  
2038 WHEELAND ROAD  
GREENHILL, WY 82001

**SHEPHERD MILLER**  
INCORPORATED

PREPARED FOR

WYOMING DEPARTMENT OF ENVIRONMENTAL QUALITY  
LAND QUALITY DIVISION

TITLE	PROJECT	DATE	DRAWING REVISION
ROCK DETAILS	04-428	MAR 20, 1996	10

SCALE: 1" = 100' ACAD FILE: FG-ROCKD