

ArevaEPRDCPEm Resource

From: WELLS Russell (AREVA) [Russell.Wells@areva.com]
Sent: Friday, March 04, 2011 12:04 PM
To: Tesfaye, Getachew
Cc: BENNETT Kathy (AREVA); DELANO Karen (AREVA); ROMINE Judy (AREVA); CORNELL Veronica (EXTERNAL AREVA); HALLINGER Pat (EXTERNAL AREVA); COLEMAN Sue (AREVA); WILLIFORD Dennis (AREVA)
Subject: Draft Response to U.S. EPR Design Certification Application RAI No. 354, FSAR Ch. 3, Question 03.08.05-22 (Part 2 of 5)
Attachments: RAI 354 Question 3.8.5-22 Response US EPR DC - DRAFT (2 of 5).pdf

Getachew

Attached is part 2 of 5 for a draft response of RAI No. 354, FSAR Ch 3, Question 03.08.05-22

Sincerely,

Russ Wells

U.S. EPR Design Certification Licensing Manager

AREVA NP, Inc.

3315 Old Forest Road, P.O. Box 10935

Mail Stop OF-57

Lynchburg, VA 24506-0935

Phone: 434-832-3884 (work)

434-942-6375 (cell)

Fax: 434-382-3884

Russell.Wells@Areva.com

From: WELLS Russell (RS/NB)
Sent: Friday, March 04, 2011 11:57 AM
To: 'Tesfaye, Getachew'
Cc: BENNETT Kathy (RS/NB); DELANO Karen (RS/NB); ROMINE Judy (RS/NB); CORNELL Veronica (External RS/NB); HALLINGER Pat (EXT); COLEMAN Sue (RS/NB); WILLIFORD Dennis (RS/NB)
Subject: Draft Response to U.S. EPR Design Certification Application RAI No. 354, FSAR Ch. 3, Question 03.08.05-22 (Part 1 of 5)

Getachew,

To support a final response date of March 31, 2011, a draft response for RAI No. 354, FSAR Ch 3, Question 03.08.05-22 is provided in the attached file, "RAI 354 Question 3.8.5-22 Response US EPR DC - DRAFT (1 of 5).pdf. The remaining parts will be provided in subsequent e-mails.

Let me know if the staff has questions or if this can be sent as a final response.

Sincerely,

Russ Wells

U.S. EPR Design Certification Licensing Manager

AREVA NP, Inc.

3315 Old Forest Road, P.O. Box 10935

Mail Stop OF-57

Lynchburg, VA 24506-0935

Phone: 434-832-3884 (work)

434-942-6375 (cell)

Fax: 434-382-3884

Russell.Wells@Areva.com

From: WELLS Russell (RS/NB)

Sent: Thursday, March 03, 2011 6:10 PM

To: 'Tesfaye, Getachew'

Cc: BENNETT Kathy (RS/NB); DELANO Karen (RS/NB); ROMINE Judy (RS/NB); CORNELL Veronica (External RS/NB)

Subject: Response to U.S. EPR Design Certification Application RAI No. 354, FSAR Ch. 3, Supplement 17

Getachew,

AREVA NP Inc. (AREVA NP) provided a response to 1 of the 22 questions of RAI No. 354 on April 15, 2010, and a schedule for the remaining 21 questions. AREVA NP submitted Supplement 1 on June 3, 2010, to provide a schedule for the remaining 21 questions. Supplement 2 was submitted on June 24, 2010, and included a revised schedule for Questions 03.08.02-11, 12, 13, 14, 15, 16; 03.08.05-22 and 03.08.05-23. AREVA NP submitted Supplement 3 on July 7, 2010, responding to 1 of the remaining 21 questions. AREVA NP submitted Supplement 4 on July 30, 2010, to provide final responses to Questions 03.06.02-32, 03.06.02-41 and 03.08.02-16 and a revised schedule for Questions 03.06.02-33 through 03.06.02-40. On August 5, 2010, AREVA NP provided a revised schedule for Questions 03.06.02-42 and 03.08.05-23 in Supplement 5. AREVA NP submitted Supplement 6 on August 31, 2010, to provide final responses to 5 of the remaining 17 questions. On September 8, 2010, AREVA NP submitted Supplement 7 to provide a revised schedule for the response to Question 03.08.05-21. On September 13, 2010, AREVA NP provided an INTERIM response to Question 03.08.05-22 in Supplement 8. In Supplement 9, AREVA NP submitted a revised schedule for Question 03.08.05-23 on October 1, 2010. AREVA NP submitted Supplement 10 on October 7, 2010 and Supplement 11 on November 1, 2010 to provide a revised schedule for the response to Question 03.08.02-13. On November 17, 2010, AREVA NP submitted Supplement 12 to provide a revised schedule for Questions 03.06.02-33 through 03.06.02-40 and 03.08.05-23. On November 22, 2010, AREVA NP submitted Supplement 13 to provide an INTERIM response to Question 03.08.05-22 and a new schedule for supplemental responses to Questions 03.08.02-11 and 03.08.02-12. In Supplement 14, AREVA NP submitted a revised schedule for Question 03.08.05-23 on January 7, 2011. In Supplement 15, AREVA NP submitted a revised schedule for Question 03.08.05-22 on January 13, 2011. On February 11, 2011, AREVA NP submitted Supplement 16 to provide a revised schedule for Questions 03.08.02-11, 03.08.02-12, 03.08.02-13, 03.08.05-22 and 03.08.05-23.

The attached file, "RAI 354 Supplement 17 Response US EPR DC.pdf" provides a technically correct and complete FINAL response to the Question 03.08.02-12, as committed.

The following table indicates the page in the response document, "RAI 354 Supplement 17 Response US EPR DC.pdf" that contains AREVA NP's response to the subject question.

Question #	Start Page	End Page
RAI 354 – 03.08.02-12	2	3

The schedule for Question 03.08.02-11 and Question 03.08.02-13 is being revised to allow AREVA NP additional time to address NRC audit comments. The schedule for the remaining question is unchanged.

The schedule for the technically correct and complete responses to the remaining questions is provided below.

Question #	Interim Response Date	Response Date
RAI 354 - 03.08.02-11		April 28, 2011
RAI 354 - 03.08.02-13		June 14, 2011
RAI 354 - 03.08.05-22	September 15, 2010 (Actual)	March 31, 2011

Question #	Interim Response Date	Response Date
	September 13, 2010) November 22, 2010 (Actual)	
RAI 354 - 03.08.05-23		March 31, 2011
RAI 354 - 03.06.02-33		March 31, 2011
RAI 354 - 03.06.02-34		March 31, 2011
RAI 354 - 03.06.02-35		March 31, 2011
RAI 354 - 03.06.02-36		March 31, 2011
RAI 354 - 03.06.02-37		March 31, 2011
RAI 354 - 03.06.02-38		March 31, 2011
RAI 354 - 03.06.02-39		March 31, 2011
RAI 354 - 03.06.02-40		March 31, 2011

Sincerely,

Russ Wells

U.S. EPR Design Certification Licensing Manager

AREVA NP, Inc.

3315 Old Forest Road, P.O. Box 10935

Mail Stop OF-57

Lynchburg, VA 24506-0935

Phone: 434-832-3884 (work)

434-942-6375 (cell)

Fax: 434-382-3884

Russell.Wells@Areva.com

From: BRYAN Martin (External RS/NB)

Sent: Friday, February 11, 2011 1:20 PM

To: 'Tesfaye, Getachew'

Cc: DELANO Karen (RS/NB); ROMINE Judy (RS/NB); BENNETT Kathy (RS/NB); CORNELL Veronica (External RS/NB)

Subject: Response to U.S. EPR Design Certification Application RAI No. 354, FSAR Ch. 3, Supplement 16

Getachew,

AREVA NP Inc. (AREVA NP) provided a response to 1 of the 22 questions of RAI No. 354 on April 15, 2010, and a schedule for the remaining 21 questions. AREVA NP submitted Supplement 1 on June 3, 2010, to provide a schedule for the remaining 21 questions. Supplement 2 was submitted on June 24, 2010, and included a revised schedule for Questions 03.08.02-11, 12, 13, 14, 15, 16; 03.08.05-22 and 03.08.05-23. AREVA NP submitted Supplement 3 on July 7, 2010, responding to 1 of the remaining 21 questions. AREVA NP submitted Supplement 4 on July 30, 2010, to provide final responses to Questions 03.06.02-32, 03.06.02-41 and 03.08.02-16 and a revised schedule for Questions 03.06.02-33 through 03.06.02-40. On August 5, 2010, AREVA NP provided a revised schedule for Questions 03.06.02-42 and 03.08.05-23 in Supplement 5. AREVA NP submitted Supplement 6 on August 31, 2010, to provide final responses to 5 of the remaining 17 questions. On September 8, 2010, AREVA NP submitted Supplement 7 to provide a revised schedule for the response to Question 03.08.05-21. On September 13, 2010, AREVA NP provided an INTERIM response to Question 03.08.05-22 in Supplement 8. In Supplement 9, AREVA NP submitted a revised schedule for Question 03.08.05-23 on October 1, 2010. AREVA NP submitted Supplement 10 on October 7, 2010 and Supplement 11 on November 1, 2010 to provide a revised schedule for the response to Question 03.08.02-13. On November 17, 2010, AREVA NP submitted Supplement 12 to provide a revised schedule for Questions 03.06.02-33 through 03.06.02-40 and 03.08.05-23. On November 22, 2010, AREVA NP submitted Supplement 13 to provide an INTERIM response to Question 03.08.05-22 and a new schedule for supplemental responses

to Questions 03.08.02-11 and 03.08.02-12. In Supplement 14, AREVA NP submitted a revised schedule for Question 03.08.05-23 on January 7, 2011. In Supplement 15, AREVA NP submitted a revised schedule for Question 03.08.05-22 on January 13, 2011.

The schedule for Questions 03.08.02-11, 03.08.02-12, 03.08.02-13, and 03.08.05-22 has changed. The schedule for Question 03.08.05-23 is being revised to allow AREVA NP additional time to address NRC comments. The schedule for the remaining questions is unchanged.

The schedule for the technically correct and complete responses to the remaining questions is provided below.

Question #	Interim Response Date	Response Date
RAI 354 - 03.08.02-11		March 4, 2011
RAI 354 - 03.08.02-12		March 4, 2011
RAI 354 - 03.08.02-13		March 4, 2011
RAI 354 - 03.08.05-22	September 15, 2010 (Actual September 13, 2010) November 22, 2010 (Actual)	March 31, 2011
RAI 354 - 03.08.05-23		March 31, 2011
RAI 354 - 03.06.02-33		March 31, 2011
RAI 354 - 03.06.02-34		March 31, 2011
RAI 354 - 03.06.02-35		March 31, 2011
RAI 354 - 03.06.02-36		March 31, 2011
RAI 354 - 03.06.02-37		March 31, 2011
RAI 354 - 03.06.02-38		March 31, 2011
RAI 354 - 03.06.02-39		March 31, 2011
RAI 354 - 03.06.02-40		March 31, 2011

Sincerely,

Martin (Marty) C. Bryan
 U.S. EPR Design Certification Licensing Manager
 AREVA NP Inc.
 Tel: (434) 832-3016
 702 561-3528 cell
Martin.Bryan.ext@areva.com

From: BRYAN Martin (External RS/NB)
Sent: Thursday, January 13, 2011 5:34 PM
To: 'Tefaye, Getachew'
Cc: DELANO Karen (RS/NB); ROMINE Judy (RS/NB); BENNETT Kathy (RS/NB); CORNELL Veronica (External RS/NB)
Subject: Response to U.S. EPR Design Certification Application RAI No. 354, FSAR Ch. 3, Supplement 15

Getachew,

AREVA NP Inc. (AREVA NP) provided a response to 1 of the 22 questions of RAI No. 354 on April 15, 2010, and a schedule for the remaining 21 questions. AREVA NP submitted Supplement 1 on June 3, 2010, to provide a schedule for the remaining 21 questions. Supplement 2 was submitted on June 24, 2010, and included a revised schedule for Questions 03.08.02-11, 12, 13, 14, 15, 16; 03.08.05-22 and 03.08.05-23. AREVA NP submitted Supplement 3 on July 7, 2010, responding to 1 of the remaining 21 questions. AREVA NP submitted Supplement 4 on July 30, 2010, to provide final responses to Questions 03.06.02-32, 03.06.02-41 and 03.08.02-16 and a revised schedule for Questions 03.06.02-33 through 03.06.02-40. On August 5, 2010, AREVA NP provided a revised schedule for Questions 03.06.02-42 and 03.08.05-23 in Supplement 5.

AREVA NP submitted Supplement 6 on August 31, 2010, to provide final responses to 5 of the remaining 17 questions. On September 8, 2010, AREVA NP submitted Supplement 7 to provide a revised schedule for the response to Question 03.08.05-21. On September 13, 2010, AREVA NP provided an INTERIM response to Question 03.08.05-22 in Supplement 8. In Supplement 9, AREVA NP submitted a revised schedule for Question 03.08.05-23 on October 1, 2010. AREVA NP submitted Supplement 10 on October 7, 2010 and Supplement 11 on November 1, 2010 to provide a revised schedule for the response to Question 03.08.02-13. On November 17, 2010, AREVA NP submitted Supplement 12 to provide a revised schedule for Questions 03.06.02-33 through 03.06.02-40 and 03.08.05-23. On November 22, 2010, AREVA NP submitted Supplement 13 to provide an INTERIM response to Question 03.08.05-22 and a new schedule for supplemental responses to Questions 03.08.02-11 and 03.08.02-12. In Supplement 9, AREVA NP submitted a revised schedule for Question 03.08.05-23 on January 7, 2011.

The schedule for Question 03.08.05-22 is being revised to allow AREVA NP additional time for to address NRC feedback. The schedule for the remaining questions is unchanged.

The schedule for the technically correct and complete responses to the remaining questions is provided below.

Question #	Interim Response Date	Response Date
RAI 354 - 03.08.02-11		February 15, 2011
RAI 354 - 03.08.02-12		February 15, 2011
RAI 354 - 03.08.02-13		February 15, 2011
RAI 354 - 03.08.05-22	September 15, 2010 (Actual September 13, 2010) November 22, 2010	March 17, 2011
RAI 354 - 03.08.05-23		February 15, 2011
RAI 354 - 03.06.02-33		March 31, 2011
RAI 354 - 03.06.02-34		March 31, 2011
RAI 354 - 03.06.02-35		March 31, 2011
RAI 354 - 03.06.02-36		March 31, 2011
RAI 354 - 03.06.02-37		March 31, 2011
RAI 354 - 03.06.02-38		March 31, 2011
RAI 354 - 03.06.02-39		March 31, 2011
RAI 354 - 03.06.02-40		March 31, 2011

Sincerely,

Martin (Marty) C. Bryan
 U.S. EPR Design Certification Licensing Manager
 AREVA NP Inc.
 Tel: (434) 832-3016
 702 561-3528 cell
Martin.Bryan.ext@areva.com

From: BRYAN Martin (External RS/NB)
Sent: Friday, January 07, 2011 2:57 PM
To: Tesfaye, Getachew
Cc: DELANO Karen (RS/NB); ROMINE Judy (RS/NB); BENNETT Kathy (RS/NB); CORNELL Veronica (External RS/NB)
Subject: Response to U.S. EPR Design Certification Application RAI No. 354, FSAR Ch. 3, Supplement 14

Getachew,

AREVA NP Inc. (AREVA NP) provided a response to 1 of the 22 questions of RAI No. 354 on April 15, 2010, and a schedule for the remaining 21 questions. AREVA NP submitted Supplement 1 on June 3, 2010, to provide a schedule for the remaining 21 questions. Supplement 2 was submitted on June 24, 2010, and included a revised schedule for Questions 03.08.02-11, 12, 13, 14, 15, 16; 03.08.05-22 and 03.08.05-23. AREVA NP submitted Supplement 3 on July 7, 2010, responding to 1 of the remaining 21 questions. AREVA NP submitted Supplement 4 on July 30, 2010, to provide final responses to Questions 03.06.02-32, 03.06.02-41 and 03.08.02-16 and a revised schedule for Questions 03.06.02-33 through 03.06.02-40. On August 5, 2010, AREVA NP provided a revised schedule for Questions 03.06.02-42 and 03.08.05-23 in Supplement 5. AREVA NP submitted Supplement 6 on August 31, 2010, to provide final responses to 5 of the remaining 17 questions. On September 8, 2010, AREVA NP submitted Supplement 7 to provide a revised schedule for the response to Question 03.08.05-21. On September 13, 2010, AREVA NP provided an INTERIM response to Question 03.08.05-22 in Supplement 8. In Supplement 9, AREVA NP submitted a revised schedule for Question 03.08.05-23 on October 1, 2010. AREVA NP submitted Supplement 10 on October 7, 2010 and Supplement 11 on November 1, 2010 to provide a revised schedule for the response to Question 03.08.02-13. On November 17, 2010, AREVA NP submitted Supplement 12 to provide a revised schedule for Questions 03.06.02-33 through 03.06.02-40 and 03.08.05-23. On November 22, 2010, AREVA NP submitted Supplement 13 to provide an INTERIM response to Question 03.08.05-22 and a new schedule for supplemental responses to Questions 03.08.02-11 and 03.08.02-12.

The schedule for Question 03.08.05-23 is being revised to allow additional time for AREVA NP to interact with the NRC. The schedule for the remaining questions is unchanged. Please note that in Supplement 13 the information for Questions 03.06.02-33 through 40 was inadvertently not included in the table, but it has been now been added back.

The schedule for the technically correct and complete responses to the remaining questions is provided below.

Question #	Interim Response Date	Response Date
RAI 354 - 03.08.02-11		February 15, 2011
RAI 354 - 03.08.02-12		February 15, 2011
RAI 354 - 03.08.02-13		February 15, 2011
RAI 354 - 03.08.05-22	September 15, 2010 (Actual September 13, 2010) November 22, 2010	January 13, 2011
RAI 354 - 03.08.05-23		February 15, 2011
RAI 354 - 03.06.02-33		March 31, 2011
RAI 354 - 03.06.02-34		March 31, 2011
RAI 354 - 03.06.02-35		March 31, 2011
RAI 354 - 03.06.02-36		March 31, 2011
RAI 354 - 03.06.02-37		March 31, 2011
RAI 354 - 03.06.02-38		March 31, 2011
RAI 354 - 03.06.02-39		March 31, 2011
RAI 354 - 03.06.02-40		March 31, 2011

Sincerely,

Martin (Marty) C. Bryan
U.S. EPR Design Certification Licensing Manager
AREVA NP Inc.
Tel: (434) 832-3016
702 561-3528 cell
Martin.Bryan.ext@areva.com

From: BRYAN Martin (External RS/NB)
Sent: Monday, November 22, 2010 7:40 PM
To: 'Tesfaye, Getachew'
Cc: DELANO Karen (RS/NB); ROMINE Judy (RS/NB); BENNETT Kathy (RS/NB); CORNELL Veronica (External RS/NB)
Subject: Response to U.S. EPR Design Certification Application RAI No. 354, FSAR Ch. 3, Supplement 13

Getachew,

AREVA NP Inc. (AREVA NP) provided a response to 1 of the 22 questions of RAI No. 354 on April 15, 2010, and a schedule for the remaining 21 questions. AREVA NP submitted Supplement 1 on June 3, 2010, to provide a schedule for the remaining 21 questions. Supplement 2 was submitted on June 24, 2010, and included a revised schedule for Questions 03.08.02-11, 12, 13, 14, 15, 16; 03.08.05-22 and 03.08.05-23. AREVA NP submitted Supplement 3 on July 7, 2010, responding to 1 of the remaining 21 questions. AREVA NP submitted Supplement 4 on July 30, 2010, to provide final responses to Questions 03.06.02-32, 03.06.02-41 and 03.08.02-16 and a revised schedule for Questions 03.06.02-33 through 03.06.02-40. On August 5, 2010, AREVA NP provided a revised schedule for Questions 03.06.02-42 and 03.08.05-23 in Supplement 5. AREVA NP submitted Supplement 6 on August 31, 2010, to provide final responses to 5 of the remaining 17 questions. On September 8, 2010, AREVA NP submitted Supplement 7 to provide a revised schedule for the response to Question 03.08.05-21. On September 13, 2010, AREVA NP provided an INTERIM response to Question 03.08.05-22 in Supplement 8. In Supplement 9, AREVA NP submitted a revised schedule for Question 03.08.05-23 on October 1, 2010. AREVA NP submitted Supplement 10 on October 7, 2010 and Supplement 11 on November 1, 2010 to provide a revised schedule for the response to Question 03.08.02-13. On November 17, 2010, AREVA NP submitted Supplement 12 to provide a revised schedule for Questions 03.06.02-33 through 03.06.02-40 and 03.08.05-23.

The attached file, "RAI 354 Supplement 13 Response US EPR DC-INTERIM.pdf" provides a technically correct and complete INTERIM response to question 03.08.05-22, as committed.

Appended to this file are the affected pages of the U.S. EPR Final Safety Analysis Report in redline-strikeout format which supports the response to RAI 354 Supplement 13 question 03.08.05-22.

The following table indicates the respective pages in the response document, "RAI 354 Supplement 13 Response US EPR DC-INTERIM.pdf," that contain AREVA NP's response to the subject question.

Question #	Start Page	End Page
RAI 354 — 03.08.05-22	2	11

A new schedule for supplemental responses to Questions 03.08.02-11 and 03.08.02-12 is added. The supplemental responses will address open items identified during the NRC October 28-29, 2010, containment appurtenances audit. The schedule for the remaining questions is unchanged.

The schedule for the technically correct and complete responses to the remaining questions is provided below.

Question #	Interim Response Date	Response Date
RAI 354 - 03.08.02-11		February 15, 2011
RAI 354 - 03.08.02-12		February 15, 2011
RAI 354 - 03.08.02-13		February 15, 2011

Question #	Interim Response Date	Response Date
RAI 354 - 03.08.05-22	September 15, 2010 (Actual September 13, 2010) November 22, 2010 (Actual)	January 13, 2011

Sincerely,

Martin (Marty) C. Bryan
U.S. EPR Design Certification Licensing Manager
AREVA NP Inc.
Tel: (434) 832-3016
702 561-3528 cell
Martin.Bryan.ext@areva.com

From: BRYAN Martin (External RS/NB)
Sent: Wednesday, November 17, 2010 11:35 AM
To: 'Tesfaye, Getachew'
Cc: DELANO Karen (RS/NB); ROMINE Judy (RS/NB); BENNETT Kathy (RS/NB); WELLS Russell (RS/NB); 'Miernicki, Michael'
Subject: Response to U.S. EPR Design Certification Application RAI No. 354, FSAR Ch. 3, Supplement 12

Getachew,

AREVA NP Inc. (AREVA NP) provided a response to 1 of the 22 questions of RAI No. 354 on April 15, 2010, and a schedule for the remaining 21 questions. AREVA NP submitted Supplement 1 on June 3, 2010, to provide a schedule for the remaining 21 questions. Supplement 2 was submitted on June 24, 2010, and included a revised schedule for Questions 03.08.02-11, 12, 13, 14, 15, 16; 03.08.05-22 and 03.08.05-23. AREVA NP submitted Supplement 3 on July 7, 2010, responding to 1 of the remaining 21 questions. AREVA NP submitted Supplement 4 on July 30, 2010, to provide final responses to Questions 03.06.02-32, 03.06.02-41 and 03.08.02-16 and a revised schedule for Questions 03.06.02-33 through 03.06.02-40. On August 5, 2010, AREVA NP provided a revised schedule for Questions 03.06.02-42 and 03.08.05-23 in Supplement 5. AREVA NP submitted Supplement 6 on August 31, 2010, to provide final responses to 5 of the remaining 17 questions. On September 8, 2010, AREVA NP submitted Supplement 7 to provide a revised schedule for the response to Question 03.08.05-21. On September 13, 2010, AREVA NP provided an INTERIM response to Question 03.08.05-22 in Supplement 8. In Supplement 9, AREVA NP submitted a revised schedule for Question 03.08.05-23 on October 1, 2010. AREVA NP submitted Supplement 10 on October 7, 2010 and Supplement 11 on November 1, 2010 to provide a revised schedule for the response to Question 03.08.02-13.

A meeting with NRC regarding Questions 03.06.02-33 through 03.06.02-40 was held on November 1, 2010. As a result of that meeting the schedule for the final response to Questions 03.06.02-33 through 03.06.02-40 is being revised to allow additional time for AREVA NP to address NRC comments. Additionally, AREVA plans to prepare a technical report to be submitted with the final response to reflect the information on jet impingement that has been provided to NRC in the RAI responses and the meeting on November 1, 2010. The schedule for Question 03.08.05-23 is also being revised to allow additional time for AREVA NP to interact with the NRC. The schedule for the remaining questions is unchanged.

The schedule for the technically correct and complete responses to the remaining questions is provided below.

Question #	Interim Response Date	Response Date
RAI 354 - 03.08.02-13		February 15, 2011
RAI 354 - 03.08.05-22	September 15, 2010 (Actual September 13, 2010) November 22, 2010	January 13, 2011
RAI 354 - 03.08.05-23		January 7, 2011
RAI 354 - 03.06.02-33		March 31, 2011
RAI 354 - 03.06.02-34		March 31, 2011
RAI 354 - 03.06.02-35		March 31, 2011
RAI 354 - 03.06.02-36		March 31, 2011
RAI 354 - 03.06.02-37		March 31, 2011
RAI 354 - 03.06.02-38		March 31, 2011
RAI 354 - 03.06.02-39		March 31, 2011
RAI 354 - 03.06.02-40		March 31, 2011

Sincerely,

Martin (Marty) C. Bryan
 U.S. EPR Design Certification Licensing Manager
 AREVA NP Inc.
 Tel: (434) 832-3016
 702 561-3528 cell
Martin.Bryan.ext@areva.com

From: BRYAN Martin (External RS/NB)
Sent: Monday, November 01, 2010 5:39 PM
To: 'Tsfaye, Getachew'
Cc: DELANO Karen (RS/NB); ROMINE Judy (RS/NB); BENNETT Kathy (RS/NB); CORNELL Veronica (External RS/NB)
Subject: Response to U.S. EPR Design Certification Application RAI No. 354, FSAR Ch. 3, Supplement 11

Getachew,

AREVA NP Inc. (AREVA NP) provided a response to 1 of the 22 questions of RAI No. 354 on April 15, 2010, and a schedule for the remaining 21 questions. AREVA NP submitted Supplement 1 on June 3, 2010, to provide a schedule for the remaining 21 questions. Supplement 2 was submitted on June 24, 2010, and included a revised schedule for Questions 03.08.02-11, 12, 13, 14, 15, 16; 03.08.05-22 and 03.08.05-23. AREVA NP submitted Supplement 3 on July 7, 2010, responding to 1 of the remaining 21 questions. AREVA NP submitted Supplement 4 on July 30, 2010, to provide final responses to Questions 03.06.02-32, 03.06.02-41 and 03.08.02-16 and a revised schedule for Questions 03.06.02-33 through 03.06.02-40. On August 5, 2010, AREVA NP provided a revised schedule for Questions 03.06.02-42 and 03.08.05-23 in Supplement 5. AREVA NP submitted Supplement 6 on August 31, 2010, to provide final responses to 5 of the remaining 17 questions. On September 8, 2010, AREVA NP submitted Supplement 7 to provide a revised schedule for the response to Question 03.08.05-21. On September 13, 2010, AREVA NP provided an INTERIM response to Question 03.08.05-22 in Supplement 8. In Supplement 9, AREVA NP submitted a revised schedule for

Question 03.08.05-23 on October 1, 2010. AREVA NP submitted Supplement 10 on October 7, 2010, to provide a revised schedule for the response to Question 03.08.02-13.

The schedule for Question 03.08.02-13 is being revised to allow additional time for AREVA NP to address NRC comments. The schedule for the remaining questions is unchanged.

The schedule for the technically correct and complete responses to the remaining questions is provided below.

Question #	Interim Response Date	Response Date
RAI 354 - 03.08.02-13		February 15, 2011
RAI 354 - 03.08.05-22	September 15, 2010 (Actual September 13, 2010) November 22, 2010	January 13, 2011
RAI 354 - 03.08.05-23		November 18, 2010
RAI 354 - 03.06.02-33		November 18, 2010
RAI 354 - 03.06.02-34		November 18, 2010
RAI 354 - 03.06.02-35		November 18, 2010
RAI 354 - 03.06.02-36		November 18, 2010
RAI 354 - 03.06.02-37		November 18, 2010
RAI 354 - 03.06.02-38		November 18, 2010
RAI 354 - 03.06.02-39		November 18, 2010
RAI 354 - 03.06.02-40		November 18, 2010

Sincerely,

Martin (Marty) C. Bryan
U.S. EPR Design Certification Licensing Manager
AREVA NP Inc.
Tel: (434) 832-3016
702 561-3528 cell
Martin.Bryan.ext@areva.com

From: BRYAN Martin (External RS/NB)
Sent: Thursday, October 07, 2010 2:41 PM
To: 'Tefaye, Getachew'
Cc: DELANO Karen (RS/NB); ROMINE Judy (RS/NB); BENNETT Kathy (RS/NB); CORNELL Veronica (External RS/NB)
Subject: Response to U.S. EPR Design Certification Application RAI No. 354, FSAR Ch. 3, Supplement 10

Getachew,

AREVA NP Inc. (AREVA NP) provided a response to 1 of the 22 questions of RAI No. 354 on April 15, 2010, and a schedule for the remaining 21 questions. AREVA NP submitted Supplement 1 on June 3, 2010, to provide a schedule for the remaining 21 questions. Supplement 2 was submitted on June 24, 2010, and included a revised schedule for Questions 03.08.02-11, 12, 13, 14, 15, 16; 03.08.05-22 and 03.08.05-23. AREVA NP submitted Supplement 3 on July 7, 2010, responding to 1 of the remaining 21 questions. AREVA NP submitted Supplement 4 on July 30, 2010, to provide final responses to Questions 03.06.02-32, 03.06.02-41 and 03.08.02-16 and a revised schedule for Questions 03.06.02-33 through 03.06.02-40. On August 5, 2010, AREVA NP provided a revised schedule for Questions 03.06.02-42 and 03.08.05-23 in Supplement 5. AREVA NP submitted Supplement 6 on August 31, 2010, to provide final responses to 5 of the remaining 17 questions. On September 8, 2010, AREVA NP submitted Supplement 7 to provide a revised schedule for the response to Question 03.08.05-21. On September 13, 2010, AREVA NP provided an INTERIM response to Question 03.08.05-22 in Supplement 8. In Supplement 9, AREVA NP submitted a revised schedule for Question 03.08.05-23 on October 1, 2010.

The attached file, "RAI 354 Supplement 10 Response US EPR DC.pdf" provides a technically correct and complete FINAL response to Question 03.08.05-21, as committed. The following table indicates the respective pages in the response document, "RAI 354 Supplement 10 Response US EPR DC.pdf," that contains AREVA NP's response to the subject question.

Question #	Start Page	End Page
RAI 354 - 03.08.05-21	2	3

The schedule for a revised INTERIM response to Question 03.08.05-22 is added to provide the NRC additional information on AREVA NP's settlement approach. The schedule for the remaining questions is unchanged.

The schedule for the technically correct and complete responses to the remaining questions is provided below.

Question #	Interim Response Date	Response Date
RAI 354 - 03.08.02-13		November 1, 2010
RAI 354 - 03.08.05-22	September 15, 2010 (Actual September 13, 2010) November 22, 2010	January 13, 2011
RAI 354 - 03.08.05-23		November 18, 2010
RAI 354 - 03.06.02-33		November 18, 2010
RAI 354 - 03.06.02-34		November 18, 2010
RAI 354 - 03.06.02-35		November 18, 2010
RAI 354 - 03.06.02-36		November 18, 2010
RAI 354 - 03.06.02-37		November 18, 2010
RAI 354 - 03.06.02-38		November 18, 2010
RAI 354 - 03.06.02-39		November 18, 2010
RAI 354 - 03.06.02-40		November 18, 2010

Sincerely,

Martin (Marty) C. Bryan
 U.S. EPR Design Certification Licensing Manager
 AREVA NP Inc.
 Tel: (434) 832-3016
 702 561-3528 cell
Martin.Bryan.ext@areva.com

From: BRYAN Martin (External RS/NB)
Sent: Friday, October 01, 2010 2:31 PM
To: 'Teshaye, Getachew'
Cc: DELANO Karen (RS/NB); ROMINE Judy (RS/NB); BENNETT Kathy (RS/NB); CORNELL Veronica (External RS/NB)
Subject: Response to U.S. EPR Design Certification Application RAI No. 354, FSAR Ch. 3, Supplement 9

Getachew,

AREVA NP Inc. (AREVA NP) provided a response to 1 of the 22 questions of RAI No. 354 on April 15, 2010, and a schedule for the remaining 21 questions. AREVA NP submitted Supplement 1 on June 3, 2010, to provide a schedule for the remaining 21 questions. Supplement 2 was submitted on June 24, 2010, and included a revised schedule for Questions 03.08.02-11, 12, 13, 14, 15, 16; 03.08.05-22 and 03.08.05-23. AREVA NP submitted Supplement 3 on July 7, 2010, responding to 1 of the remaining 21 questions. AREVA NP submitted Supplement 4 on July 30, 2010, to provide final responses to Questions 03.06.02-32, 03.06.02-

41 and 03.08.02-16 and a revised schedule for Questions 03.06.02-33 through 03.06.02-40. On August 5, 2010, AREVA NP provided a revised schedule for Questions 03.06.02-42 and 03.08.05-23 in Supplement 5. AREVA NP submitted Supplement 6 on August 31, 2010, to provide final responses to 5 of the remaining 17 questions. On September 8, 2010, AREVA NP submitted Supplement 7 to provide a revised schedule for the response to Question 03.08.05-21. On September 13, 2010, AREVA NP provided an INTERIM response to Question 03.08.05-22 in Supplement 8.

The schedule for Question 03.08.05-23 is being revised to allow additional time for AREVA NP to interact with the NRC. The schedule for the remaining questions is unchanged.

The schedule for the technically correct and complete responses to the remaining questions is provided below.

Question #	Interim Response Date	Response Date
RAI 354 - 03.08.02-13		November 1, 2010
RAI 354 - 03.08.05-21		October 7, 2010
RAI 354 - 03.08.05-22	September 15, 2010 (Actual September 13, 2010)	January 13, 2011
RAI 354 - 03.08.05-23		November 18, 2010
RAI 354 - 03.06.02-33		November 18, 2010
RAI 354 - 03.06.02-34		November 18, 2010
RAI 354 - 03.06.02-35		November 18, 2010
RAI 354 - 03.06.02-36		November 18, 2010
RAI 354 - 03.06.02-37		November 18, 2010
RAI 354 - 03.06.02-38		November 18, 2010
RAI 354 - 03.06.02-39		November 18, 2010
RAI 354 - 03.06.02-40		November 18, 2010

Sincerely,

Martin (Marty) C. Bryan
 U.S. EPR Design Certification Licensing Manager
 AREVA NP Inc.
 Tel: (434) 832-3016
 702 561-3528 cell
Martin.Bryan.ext@areva.com

From: BRYAN Martin (External RS/NB)
Sent: Monday, September 13, 2010 5:09 PM
To: 'Tefaye, Getachew'
Cc: DELANO Karen (RS/NB); ROMINE Judy (RS/NB); BENNETT Kathy (RS/NB); CORNELL Veronica (External RS/NB)
Subject: Response to U.S. EPR Design Certification Application RAI No. 354, FSAR Ch. 3, Supplement 8

Getachew,

AREVA NP Inc. (AREVA NP) provided a response to 1 of the 22 questions of RAI No. 354 on April 15, 2010, and a schedule for the remaining 21 questions. AREVA NP submitted Supplement 1 on June 3, 2010, to provide a schedule for the remaining 21 questions. Supplement 2 was submitted on June 24, 2010, and included a revised schedule for Questions 03.08.02-11, 12, 13, 14, 15, 16; 03.08.05-22 and 03.08.05-23. AREVA NP submitted Supplement 3 on July 7, 2010, responding to 1 of the remaining 21 questions. AREVA NP submitted Supplement 4 on July 30, 2010, to provide final responses to Questions 03.06.02-32, 03.06.02-41 and 03.08.02-16 and a revised schedule for Questions 03.06.02-33 through 03.06.02-40. On August 5, 2010, AREVA NP provided a revised schedule for Questions 03.06.02-42 and 03.08.05-23 in Supplement 5. AREVA NP submitted Supplement 6 on August 31, 2010, to provide final responses to 5 of the remaining 17

questions. On September 8, 2010, AREVA NP submitted Supplement 7 to provide a revised schedule for the response to Question 03.08.05-21.

AREVA NP recently notified the NRC of its intent to submit an INTERIM response to Question 03.08.05-22. The attached file, "RAI 354 Supplement 8 Response US EPR DC-INTERIM.pdf" provides a technically correct and complete INTERIM response to Question 03.08.05-22, as committed. The schedule for the remaining questions is unchanged.

The following table indicates the respective pages in the response document, RAI 354 Supplement 8 Response US EPR DC - INTERIM.pdf," that contains AREVA NP's response to the subject question.

Question #	Start Page	End Page
RAI 354 - 03.08.05-22	2	3

The revised schedule for the technically correct and complete responses to the remaining questions is provided below.

Question #	Interim Response Date	Response Date
RAI 354 - 03.08.02-13		November 1, 2010
RAI 354 - 03.08.05-21		October 7, 2010
RAI 354 - 03.08.05-22	September 15, 2010 (Actual September 13, 2010)	January 13, 2011
RAI 354 - 03.08.05-23		October 1, 2010
RAI 354 - 03.06.02-33		November 18, 2010
RAI 354 - 03.06.02-34		November 18, 2010
RAI 354 - 03.06.02-35		November 18, 2010
RAI 354 - 03.06.02-36		November 18, 2010
RAI 354 - 03.06.02-37		November 18, 2010
RAI 354 - 03.06.02-38		November 18, 2010
RAI 354 - 03.06.02-39		November 18, 2010
RAI 354 - 03.06.02-40		November 18, 2010

Sincerely,

Martin (Marty) C. Bryan
 U.S. EPR Design Certification Licensing Manager
 AREVA NP Inc.
 Tel: (434) 832-3016
 702 561-3528 cell
Martin.Bryan.ext@areva.com

From: BRYAN Martin (External RS/NB)
Sent: Wednesday, September 08, 2010 6:09 PM
To: Tesfaye, Getachew
Cc: DELANO Karen (RS/NB); ROMINE Judy (RS/NB); BENNETT Kathy (RS/NB); 'Miernicki, Michael'; CORNELL Veronica (External RS/NB)
Subject: Response to U.S. EPR Design Certification Application RAI No. 354, FSAR Ch. 3, Supplement 7

Getachew,

AREVA NP Inc. (AREVA NP) provided a response to 1 of the 22 questions of RAI No. 354 on April 15, 2010, and a schedule for the remaining 21 questions. AREVA NP submitted Supplement 1 on June 3, 2010, to provide a schedule for the remaining 21 questions. Supplement 2 was submitted on June 24, 2010, and included a revised schedule for Questions 03.08.02-11, 12, 13, 14, 15, 16; 03.08.05-22 and 03.08.05-23. AREVA NP submitted Supplement 3 on July 7, 2010, responding to 1 of the remaining 21 questions. AREVA NP submitted Supplement 4 on July 30, 2010, to provide final responses to Questions 03.06.02-32, 03.06.02-41 and 03.08.02-16 and a revised schedule for Questions 03.06.02-33 through 03.06.02-40. On August 5, 2010 AREVA NP provided a revised schedule for Questions 03.06.02-42 and 03.08.05-23 in Supplement 5. On August 31, 2010, AREVA NP submitted final responses to 5 of the remaining 17 questions.

The schedule for Question 03.08.05-21 is being revised to allow additional time for AREVA NP to interact with the NRC on the draft response. The schedule for the remaining questions is unchanged.

The schedule for the technically correct and complete responses to the remaining questions is provided below.

Question #	Response Date
RAI 354 - 03.08.02-13	November 1, 2010
RAI 354 - 03.08.05-21	October 7, 2010
RAI 354 - 03.08.05-22	January 13, 2011
RAI 354 - 03.08.05-23	October 1, 2010
RAI 354 - 03.06.02-33	November 18, 2010
RAI 354 - 03.06.02-34	November 18, 2010
RAI 354 - 03.06.02-35	November 18, 2010
RAI 354 - 03.06.02-36	November 18, 2010
RAI 354 - 03.06.02-37	November 18, 2010
RAI 354 - 03.06.02-38	November 18, 2010
RAI 354 - 03.06.02-39	November 18, 2010
RAI 354 - 03.06.02-40	November 18, 2010

Sincerely,

Martin (Marty) C. Bryan
 U.S. EPR Design Certification Licensing Manager
 AREVA NP Inc.
 Tel: (434) 832-3016
 702 561-3528 cell
Martin.Bryan.ext@areva.com

From: BRYAN Martin (External RS/NB)
Sent: Tuesday, August 31, 2010 4:28 PM
To: 'Tefsaye, Getachew'
Cc: DELANO Karen (RS/NB); ROMINE Judy (RS/NB); BENNETT Kathy (RS/NB); CORNELL Veronica (External RS/NB)
Subject: Response to U.S. EPR Design Certification Application RAI No. 354, FSAR Ch. 3, Supplement 6

Getachew,

AREVA NP Inc. (AREVA NP) provided a response to 1 of the 22 questions of RAI No. 354 on April 15, 2010, and a schedule for the remaining 21 questions. AREVA NP submitted Supplement 1 on June 3, 2010, to provide a schedule for the remaining 21 questions. Supplement 2 was submitted on June 24, 2010, and included a revised schedule for Questions 03.08.02-11, 12, 13, 14, 15, 16; 03.08.05-22 and 03.08.05-23. AREVA NP submitted Supplement 3 on July 7, 2010, responding to 1 of the remaining 21 questions. AREVA NP submitted Supplement 4 on July 30, 2010, to provide final responses to Questions 03.06.02-32, 03.06.02-

41 and 03.08.02-16 and a revised schedule for Questions 03.06.02-33 through 03.06.02-40. On August 5, 2010 AREVA NP provided a revised schedule for Questions 03.06.02-42 and 03.08.05-23 in Supplement 5.

The attached file, "RAI 354 Supplement 6 Response US EPR DC.pdf" provides technically correct and complete FINAL responses to Questions 03.06.02-42 and 03.08.02-11 to 03.08.02-15, as committed. Because the response file contains security-related sensitive information that should be withheld from public disclosure in accordance with 10 CFR 2.390, a public version is provided with the security-related sensitive information redacted. This email and attached file do not contain any security-related information. An unredacted security-related version is provided under separate email.

Appended to this file are affected pages of the U.S. EPR Final Safety Analysis Report in redline-strikeout format which support the response to RAI 354 Supplement 6.

The schedule for Question 03.08.02-13 is being revised to allow additional time for AREVA NP to address NRC comments. The schedule for the remaining questions is unchanged.

The following table indicates the respective pages in the response document, RAI 354 Supplement 6 Response US EPR DC.pdf," that contains AREVA NP's response to the subject question.

Question #	Start Page	End Page
RAI 354 - 03.08.02-11	2	4
RAI 354 - 03.08.02-12	5	6
RAI 354 - 03.08.02-14	7	8
RAI 354 - 03.08.02-15	9	10
RAI 354 - 03.06.02-42	11	12

The revised schedule for the technically correct and complete responses to the remaining questions is provided below.

Question #	Response Date
RAI 354 - 03.08.02-13	November 1, 2010
RAI 354 - 03.08.05-21	September 8, 2010
RAI 354 - 03.08.05-22	January 13, 2011
RAI 354 - 03.08.05-23	October 1, 2010
RAI 354 - 03.06.02-33	November 18, 2010
RAI 354 - 03.06.02-34	November 18, 2010
RAI 354 - 03.06.02-35	November 18, 2010
RAI 354 - 03.06.02-36	November 18, 2010
RAI 354 - 03.06.02-37	November 18, 2010
RAI 354 - 03.06.02-38	November 18, 2010
RAI 354 - 03.06.02-39	November 18, 2010
RAI 354 - 03.06.02-40	November 18, 2010

Sincerely,

Martin (Marty) C. Bryan
 U.S. EPR Design Certification Licensing Manager
 AREVA NP Inc.
 Tel: (434) 832-3016
 702 561-3528 cell
Martin.Bryan.ext@areva.com

From: BRYAN Martin (EXT)

Sent: Thursday, August 05, 2010 6:23 PM

To: 'Tesfaye, Getachew'

Cc: DELANO Karen (RS/NB); ROMINE Judy (RS/NB); BENNETT Kathy (RS/NB); CORNELL Veronica (EXT); WELLS Russell (RS/NB)

Subject: Response to U.S. EPR Design Certification Application RAI No. 354, FSAR Ch. 3, Supplement 5

Getachew,

AREVA NP Inc. (AREVA NP) provided a response to 1 of the 22 questions of RAI No. 354 on April 15, 2010, and a schedule for the remaining 21 questions. AREVA NP submitted Supplement 1 on June 3, 2010, to provide a schedule for the remaining 21 questions. Supplement 2 was submitted on June 24, 2010, and included a revised schedule for Questions 03.08.02-11, 12, 13, 14, 15, 16; 03.08.05-22 and 03.08.05-23. AREVA NP submitted Supplement 3 on July 7, 2010, responding to 1 of the remaining 21 questions. AREVA NP submitted Supplement 4 on July 30, 2010, to provide final responses to Questions 03.06.02-32, 03.06.02-41 and 03.08.02-16 and a revised schedule for Questions 03.06.02-33 through 03.06.02-40.

The schedule for Questions 03.06.02-42 and 03.08.05-23 is being revised to allow additional time for AREVA NP to address NRC comments. The schedule for the remaining 15 questions is unchanged.

The revised schedule for the technically correct and complete responses to the remaining questions is provided below.

Question #	Response Date
RAI 354 - 03.08.02-11	August 31, 2010
RAI 354 - 03.08.02-12	August 31, 2010
RAI 354 - 03.08.02-13	August 31, 2010
RAI 354 - 03.08.02-14	August 31, 2010
RAI 354 - 03.08.02-15	August 31, 2010
RAI 354 - 03.08.05-21	September 8, 2010
RAI 354 - 03.08.05-22	January 13, 2011
RAI 354 - 03.08.05-23	October 1, 2010
RAI 354 - 03.06.02-33	November 18, 2010
RAI 354 - 03.06.02-34	November 18, 2010
RAI 354 - 03.06.02-35	November 18, 2010
RAI 354 - 03.06.02-36	November 18, 2010
RAI 354 - 03.06.02-37	November 18, 2010
RAI 354 - 03.06.02-38	November 18, 2010
RAI 354 - 03.06.02-39	November 18, 2010
RAI 354 - 03.06.02-40	November 18, 2010
RAI 354 - 03.06.02-42	August 31, 2010

Sincerely,

Martin (Marty) C. Bryan
U.S. EPR Design Certification Licensing Manager
AREVA NP Inc.
Tel: (434) 832-3016
702 561-3528 cell
Martin.Bryan.ext@areva.com

From: BRYAN Martin (EXT)

Sent: Thursday, July 29, 2010 7:40 PM

To: 'Tefaye, Getachew'

Cc: DELANO Karen V (AREVA NP INC); BENNETT Kathy A (OFR) (AREVA NP INC); ROMINE Judy (AREVA NP INC); CORNELL Veronica (EXT)

Subject: Response to U.S. EPR Design Certification Application RAI No. 354, FSAR Ch. 3, Supplement 4

Getachew,

AREVA NP Inc. (AREVA NP) provided a response to 1 of the 22 questions of RAI No. 354 on April 15, 2010, and a schedule for the remaining 21 questions. AREVA NP submitted Supplement 1 on June 3, 2010, to provide a schedule for the remaining 21 questions. Supplement 2 was submitted on June 24, 2010, and included a revised schedule for Questions 03.08.02-11, 12, 13, 14, 15, 16; 03.08.05-22 and 03.08.05-23. AREVA NP submitted Supplement 3 on July 7, 2010, responding to 1 of the remaining 21 questions.

The attached file, "RAI 354 Supplement 4 Response U.S. EPR DC.pdf" provides technically correct and complete responses to Questions 03.06.02-32, 03.06.02-41, and 03.08.02-16. Because the response file contains security-related sensitive information that should be withheld from public disclosure in accordance with 10 CFR 2.390, a public version is provided with the security-related sensitive information redacted. This email and attached file do not contain any security-related information. An unredacted security-related version is provided under separate email.

The schedules for Questions 03.06.02-33 through 03.06.02-40 are being revised to allow additional time for AREVA NP to address NRC comments. The schedule for the remaining 9 questions is unchanged.

The following table indicates the respective pages in the response document, "RAI 354 Supplement 4 Response U.S. EPR DC," that contain the AREVA NP response to the subject questions.

Question #	Start Page	End Page
RAI 354 - 03.06.02-32	2	3
RAI 354 - 03.06.02-41	4	6
RAI 354 - 03.08.02-16	7	7

The revised schedule for the technically correct and complete responses to the remaining questions is provided below.

Question #	Response Date
RAI 354 - 03.08.02-11	August 31, 2010
RAI 354 - 03.08.02-12	August 31, 2010
RAI 354 - 03.08.02-13	August 31, 2010
RAI 354 - 03.08.02-14	August 31, 2010
RAI 354 - 03.08.02-15	August 31, 2010
RAI 354 - 03.08.05-21	September 8, 2010
RAI 354 - 03.08.05-22	January 13, 2011
RAI 354 - 03.08.05-23	August 10, 2010
RAI 354 - 03.06.02-33	November 18, 2010
RAI 354 - 03.06.02-34	November 18, 2010
RAI 354 - 03.06.02-35	November 18, 2010
RAI 354 - 03.06.02-36	November 18, 2010
RAI 354 - 03.06.02-37	November 18, 2010
RAI 354 - 03.06.02-38	November 18, 2010
RAI 354 - 03.06.02-39	November 18, 2010
RAI 354 - 03.06.02-40	November 18, 2010

Question #	Response Date
RAI 354 - 03.06.02-42	August 5, 2010

Sincerely,

Martin (Marty) C. Bryan
U.S. EPR Design Certification Licensing Manager
AREVA NP Inc.
Tel: (434) 832-3016
702 561-3528 cell
Martin.Bryan.ext@areva.com

From: BRYAN Martin (EXT)
Sent: Wednesday, July 07, 2010 5:27 PM
To: 'Tefaye, Getachew'
Cc: DELANO Karen V (AREVA NP INC); ROMINE Judy (AREVA NP INC); BENNETT Kathy A (OFR) (AREVA NP INC); CORNELL Veronica (EXT); VAN NOY Mark (EXT)
Subject: Response to U.S. EPR Design Certification Application RAI No. 354, FSAR Ch. 3, Supplement 3

Getachew,

AREVA NP Inc. (AREVA NP) provided a response to 1 of the 22 questions of RAI No. 354 on April 15, 2010, and a schedule for the remaining 21 questions. AREVA NP submitted Supplement 1 on June 3, 2010, to provide a schedule for the remaining 21 questions.

On June 9, 2010, AREVA NP submitted draft Supplement 2 responses to questions 03.08.05-20, 03.08.05-21, 03.06.02-32, 03.06.02-41 and 03.06.02-42. Supplement 2 was submitted on June 24, 2010, and included a revised schedule to reflect the civil/structural re-planning activities and time allowance to interact with the NRC on the responses for 03.08.02-11, 12, 13, 14, 15, 16; 03.08.05-22 and 03.08.05-23.

The attached file, "RAI 354 Response U.S. EPR DC.pdf" provides a technically correct and complete response to Question 03.08.05-20.

The schedule for Question 03.08.05-21 is being revised to accommodate development of a revised response and to allow time to interact with the NRC on the response. The schedule for Questions 03.06.02-32, 03.06.02-41 and 03.06.02-42 is also being revised to provide additional time to interact with the NRC on the responses. The schedule for the remaining 16 questions is unchanged.

The following table indicates the respective pages in the response document, "RAI 354 Response U.S. EPR DC," that contain the AREVA NP response to the subject questions.

Question #	Start Page	End Page
RAI 354 — 03.08.05-20	2	3

The revised schedule for the technically correct and complete responses to the remaining questions is provided below.

Question #	Response Date
RAI 354 - 03.08.02-11	August 31, 2010
RAI 354 - 03.08.02-12	August 31, 2010
RAI 354 - 03.08.02-13	August 31, 2010

Question #	Response Date
RAI 354 - 03.08.02-14	August 31, 2010
RAI 354 - 03.08.02-15	August 31, 2010
RAI 354 - 03.08.02-16	August 10, 2010
RAI 354 - 03.08.05-21	September 8, 2010
RAI 354 - 03.08.05-22	January 13, 2011
RAI 354 - 03.08.05-23	August 10, 2010
RAI 354 - 03.06.02-32	August 5, 2010
RAI 354 - 03.06.02-33	July 30, 2010
RAI 354 - 03.06.02-34	July 30, 2010
RAI 354 - 03.06.02-35	July 30, 2010
RAI 354 - 03.06.02-36	July 30, 2010
RAI 354 - 03.06.02-37	July 30, 2010
RAI 354 - 03.06.02-38	July 30, 2010
RAI 354 - 03.06.02-39	July 30, 2010
RAI 354 - 03.06.02-40	July 30, 2010
RAI 354 - 03.06.02-41	August 5, 2010
RAI 354 - 03.06.02-42	August 5, 2010

Sincerely,

Martin (Marty) C. Bryan
U.S. EPR Design Certification Licensing Manager
AREVA NP Inc.
Tel: (434) 832-3016
702 561-3528 cell
Martin.Bryan.ext@areva.com

From: BRYAN Martin (EXT)
Sent: Thursday, June 24, 2010 12:29 PM
To: 'Tesyfaye, Getachew'
Cc: ROMINE Judy (AREVA NP INC); BENNETT Kathy A (OFR) (AREVA NP INC); CORNELL Veronica (EXT); VAN NOY Mark (EXT); RYAN Tom (AREVA NP INC); GARDNER George Darrell (AREVA NP INC); DELANO Karen V (AREVA NP INC)
Subject: Response to U.S. EPR Design Certification Application RAI No. 354, FSAR Ch. 3, Supplement 2

Getachew,

AREVA NP Inc. (AREVA NP) provided a response to 1 of the 22 questions of RAI No. 354 on April 15, 2010, and a schedule for the remaining 21 questions. AREVA NP submitted Supplement 1 to the response on June 3, 2010, to provide a schedule for the remaining 21 questions, one of which was affected by the work underway to address NRC comments from the April 26, 2010, audit.

Based upon the civil/structural re-planning activities and revised RAI response schedule presented to the NRC during the June 9, 2010, Public Meeting, and to allow time to interact with the NRC on the responses, the schedule for questions 03.08.02-11, 12, 13, 14, 15, 16, 03.08.05-22 and 03.08.05-23 has been changed. The schedule for the remaining 13 questions remains unchanged.

The revised schedule for the technically correct and complete response to these questions is provided below.

Question #	Response Date
------------	---------------

RAI 354 - 03.08.02-11	August 31
RAI 354 - 03.08.02-12	August 31
RAI 354 - 03.08.02-13	August 31
RAI 354 - 03.08.02-14	August 31
RAI 354 - 03.08.02-15	August 31
RAI 354 - 03.08.02-16	August 10, 2010
RAI 354 - 03.08.05-20	July 7, 2010
RAI 354 - 03.08.05-21	July 7, 2010
RAI 354 - 03.08.05-22	January 13, 2011
RAI 354 - 03.08.05-23	August 10, 2010
RAI 354 - 03.06.02-32	July 7, 2010
RAI 354 - 03.06.02-33	July 30, 2010
RAI 354 - 03.06.02-34	July 30, 2010
RAI 354 - 03.06.02-35	July 30, 2010
RAI 354 - 03.06.02-36	July 30, 2010
RAI 354 - 03.06.02-37	July 30, 2010
RAI 354 - 03.06.02-38	July 30, 2010
RAI 354 - 03.06.02-39	July 30, 2010
RAI 354 - 03.06.02-40	July 30, 2010
RAI 354 - 03.06.02-41	July 7, 2010
RAI 354 - 03.06.02-42	July 7, 2010

Sincerely,

Martin (Marty) C. Bryan
U.S. EPR Design Certification Licensing Manager
AREVA NP Inc.
Tel: (434) 832-3016
702 561-3528 cell
Martin.Bryan.ext@areva.com

From: BRYAN Martin (EXT)
Sent: Thursday, June 03, 2010 6:39 PM
To: 'Tesyfaye, Getachew'
Cc: DELANO Karen V (AREVA NP INC); ROMINE Judy (AREVA NP INC); BENNETT Kathy A (OFR) (AREVA NP INC); VAN NOY Mark (EXT); CORNELL Veronica (EXT)
Subject: Response to U.S. EPR Design Certification Application RAI No. 354, FSAR Ch. 3, Supplement 1

Getachew,

AREVA NP Inc. (AREVA NP) provided a response to 1 of the 22 questions of RAI No. 354 on April 15, 2010, and a schedule for the remaining 21 questions. The schedule for questions 03.08.02-11 through 15 is not being changed by this supplement. To allow time to interact with the NRC, the schedule for 16 questions is being changed. The date provided below for question 03.08.05-22 will be revised based on the information that will be presented at the June 9, 2010 public meeting and subsequent NRC feedback.

Question #	Response Date
------------	---------------

RAI 354 - 03.08.02-11	July 30, 2010
RAI 354 - 03.08.02-12	July 30, 2010
RAI 354 - 03.08.02-13	July 30, 2010
RAI 354 - 03.08.02-14	July 30, 2010
RAI 354 - 03.08.02-15	July 30, 2010
RAI 354 - 03.08.02-16	July 30, 2010
RAI 354 - 03.08.05-20	July 7, 2010
RAI 354 - 03.08.05-21	July 7, 2010
RAI 354 - 03.08.05-22	July 30, 2010
RAI 354 - 03.08.05-23	July 30, 2010
RAI 354 - 03.06.02-32	July 7, 2010
RAI 354 - 03.06.02-33	July 30, 2010
RAI 354 - 03.06.02-34	July 30, 2010
RAI 354 - 03.06.02-35	July 30, 2010
RAI 354 - 03.06.02-36	July 30, 2010
RAI 354 - 03.06.02-37	July 30, 2010
RAI 354 - 03.06.02-38	July 30, 2010
RAI 354 - 03.06.02-39	July 30, 2010
RAI 354 - 03.06.02-40	July 30, 2010
RAI 354 - 03.06.02-41	July 7, 2010
RAI 354 - 03.06.02-42	July 7, 2010

Sincerely,

Martin (Marty) C. Bryan
U.S. EPR Design Certification Licensing Manager
AREVA NP Inc.
Tel: (434) 832-3016
702 561-3528 cell
Martin.Bryan.ext@areva.com

From: BRYAN Martin (EXT)
Sent: Thursday, April 15, 2010 5:46 PM
To: 'Tesfaye, Getachew'
Cc: DELANO Karen V (AREVA NP INC); ROMINE Judy (AREVA NP INC); BENNETT Kathy A (OFR) (AREVA NP INC); VAN NOY Mark (EXT)
Subject: Response to U.S. EPR Design Certification Application RAI No. 354, FSAR Ch. 3

Getachew,

Attached please find AREVA NP Inc.'s response to the subject request for additional information (RAI). The attached file, "RAI 354 Response US EPR DC.pdf" provides technically correct and complete responses to 1 of the 22 questions.

Appended to this file are affected pages of the U.S. EPR Final Safety Analysis Report in redline-strikeout format which support the response to RAI 354 Question 03.08.05-19.

The following table indicates the respective pages in the response document, "RAI 354 Response US EPR DC.pdf," that contain AREVA NP's response to the subject questions.

Question #	Start Page	End Page
------------	------------	----------

RAI 354 - 03.08.02-11	2	2
RAI 354 - 03.08.02-12	3	3
RAI 354 - 03.08.02-13	4	4
RAI 354 - 03.08.02-14	5	5
RAI 354 - 03.08.02-15	6	6
RAI 354 - 03.08.02-16	7	7
RAI 354 - 03.08.05-19	8	8
RAI 354 - 03.08.05-20	9	9
RAI 354 - 03.08.05-21	10	10
RAI 354 - 03.08.05-22	11	11
RAI 354 - 03.08.05-23	12	12
RAI 354 - 03.06.02-32	13	13
RAI 354 - 03.06.02-33	14	14
RAI 354 - 03.06.02-34	15	15
RAI 354 - 03.06.02-35	16	16
RAI 354 - 03.06.02-36	17	17
RAI 354 - 03.06.02-37	18	18
RAI 354 - 03.06.02-38	19	19
RAI 354 - 03.06.02-39	20	20
RAI 354 - 03.06.02-40	21	21
RAI 354 - 03.06.02-41	22	22
RAI 354 - 03.06.02-42	23	24

A complete answer is not provided for 21 of the 22 questions. The schedule for a technically correct and complete response to these questions is provided below.

Question #	Response Date
RAI 354 - 03.08.02-11	July 30, 2010
RAI 354 - 03.08.02-12	July 30, 2010
RAI 354 - 03.08.02-13	July 30, 2010
RAI 354 - 03.08.02-14	July 30, 2010
RAI 354 - 03.08.02-15	July 30, 2010
RAI 354 - 03.08.02-16	June 3, 2010
RAI 354 - 03.08.05-20	June 3, 2010
RAI 354 - 03.08.05-21	June 3, 2010
RAI 354 - 03.08.05-22	June 3, 2010
RAI 354 - 03.08.05-23	June 3, 2010
RAI 354 - 03.06.02-32	June 3, 2010
RAI 354 - 03.06.02-33	June 3, 2010
RAI 354 - 03.06.02-34	June 3, 2010
RAI 354 - 03.06.02-35	June 3, 2010
RAI 354 - 03.06.02-36	June 3, 2010
RAI 354 - 03.06.02-37	June 3, 2010
RAI 354 - 03.06.02-38	June 3, 2010
RAI 354 - 03.06.02-39	June 3, 2010
RAI 354 - 03.06.02-40	June 3, 2010
RAI 354 - 03.06.02-41	June 3, 2010
RAI 354 - 03.06.02-42	June 3, 2010

Sincerely,

Martin (Marty) C. Bryan
Licensing Advisory Engineer
AREVA NP Inc.
Tel: (434) 832-3016
Martin.Bryan.ext@areva.com

From: Tesfaye, Getachew [mailto:Getachew.Tesfaye@nrc.gov]
Sent: Tuesday, March 16, 2010 12:29 PM
To: ZZ-DL-A-USEPR-DL
Cc: Xu, Jim; Hawkins, Kimberly; Ng, Ching; Dixon-Herrity, Jennifer; Miernicki, Michael; Patel, Jay; Colaccino, Joseph; ArevaEPRDCPEm Resource
Subject: U.S. EPR Design Certification Application RAI No. 354 (4106,4107,4220), FSAR Ch. 3

Attached please find the subject requests for additional information (RAI). A draft of the RAI was provided to you on January 8, 2010, and discussed with your staff on February 25, 2010. Drat RAI Questions 03.08.05-23 was modified as a result of that discussion. The schedule we have established for review of your application assumes technically correct and complete responses within 30 days of receipt of RAIs. For any RAIs that cannot be answered within 30 days, it is expected that a date for receipt of this information will be provided to the staff within the 30 day period so that the staff can assess how this information will impact the published schedule.

Thanks,
Getachew Tesfaye
Sr. Project Manager
NRO/DNRL/NARP
(301) 415-3361

Hearing Identifier: AREVA_EPR_DC_RAIs
Email Number: 2655

Mail Envelope Properties (1F1CC1BBDC66B842A46CAC03D6B1CD41040BDACC)

Subject: Draft Response to U.S. EPR Design Certification Application RAI No. 354, FSAR
Ch. 3, Question 03.08.05-22 (Part 2 of 5)
Sent Date: 3/4/2011 12:03:54 PM
Received Date: 3/4/2011 12:04:34 PM
From: WELLS Russell (AREVA)

Created By: Russell.Wells@areva.com

Recipients:

"BENNETT Kathy (AREVA)" <Kathy.Bennett@areva.com>

Tracking Status: None

"DELANO Karen (AREVA)" <Karen.Delano@areva.com>

Tracking Status: None

"ROMINE Judy (AREVA)" <Judy.Romine@areva.com>

Tracking Status: None

"CORNELL Veronica (EXTERNAL AREVA)" <Veronica.Cornell.ext@areva.com>

Tracking Status: None

"HALLINGER Pat (EXTERNAL AREVA)" <Pat.Hallinger.ext@areva.com>

Tracking Status: None

"COLEMAN Sue (AREVA)" <Sue.Coleman@areva.com>

Tracking Status: None

"WILLIFORD Dennis (AREVA)" <Dennis.Williford@areva.com>

Tracking Status: None

"Tesfaye, Getachew" <Getachew.Tesfaye@nrc.gov>

Tracking Status: None

Post Office: AUSLYNCMX02.adom.ad.corp

Files	Size	Date & Time	
MESSAGE	59683	3/4/2011 12:04:34 PM	
RAI 354 Question 3.8.5-22 Response US EPR DC - DRAFT (2 of 5).pdf			7015826

Options

Priority: Standard

Return Notification: No

Reply Requested: No

Sensitivity: Normal

Expiration Date:

Recipients Received:

Figure 3.8-125—Relative Differential Settlement Step 2. Walls up to Elevation -16 feet

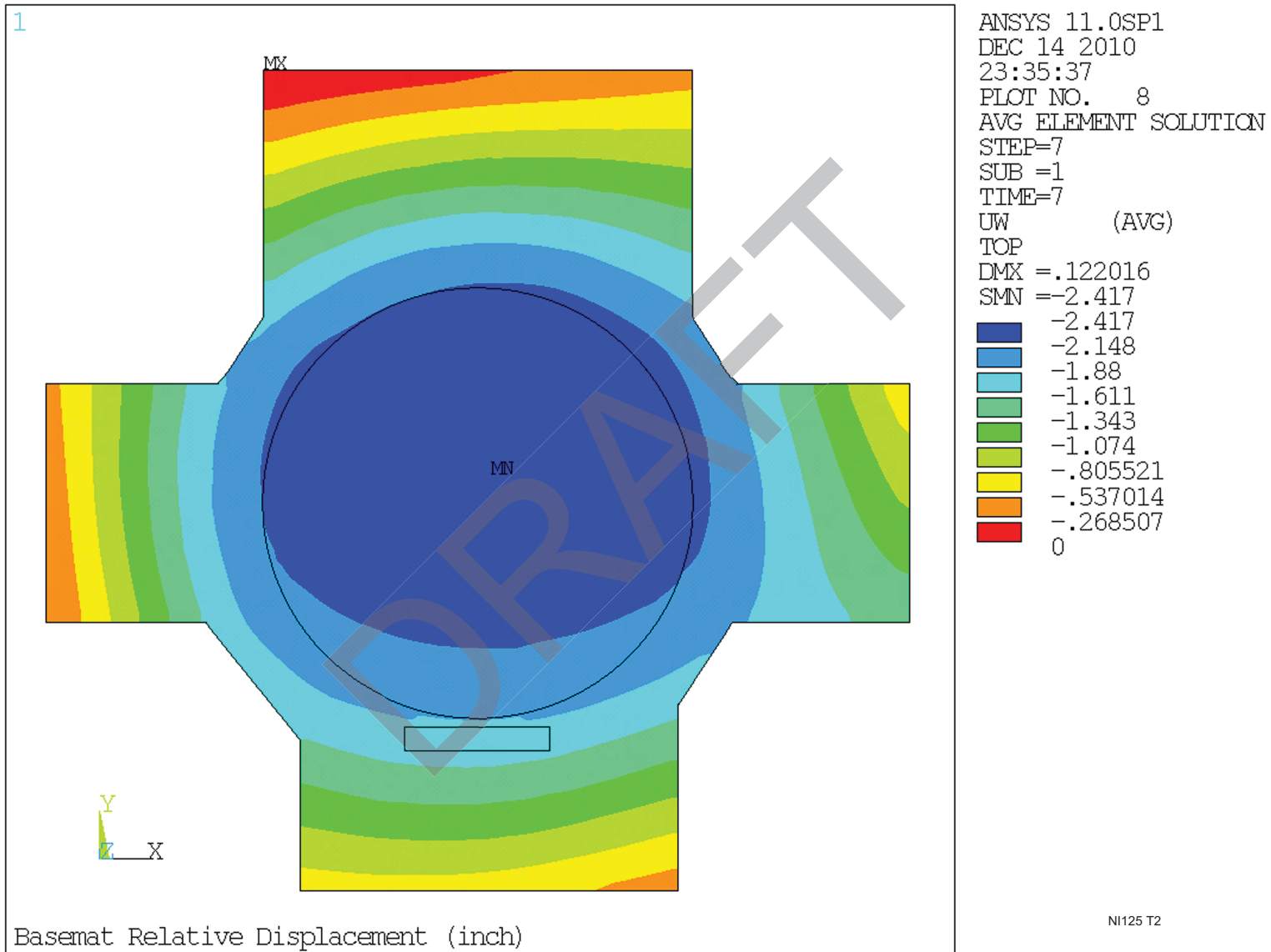


Figure 3.8-126—Relative Differential Settlement Step 3. Floor Slabs at Elevation -16 feet

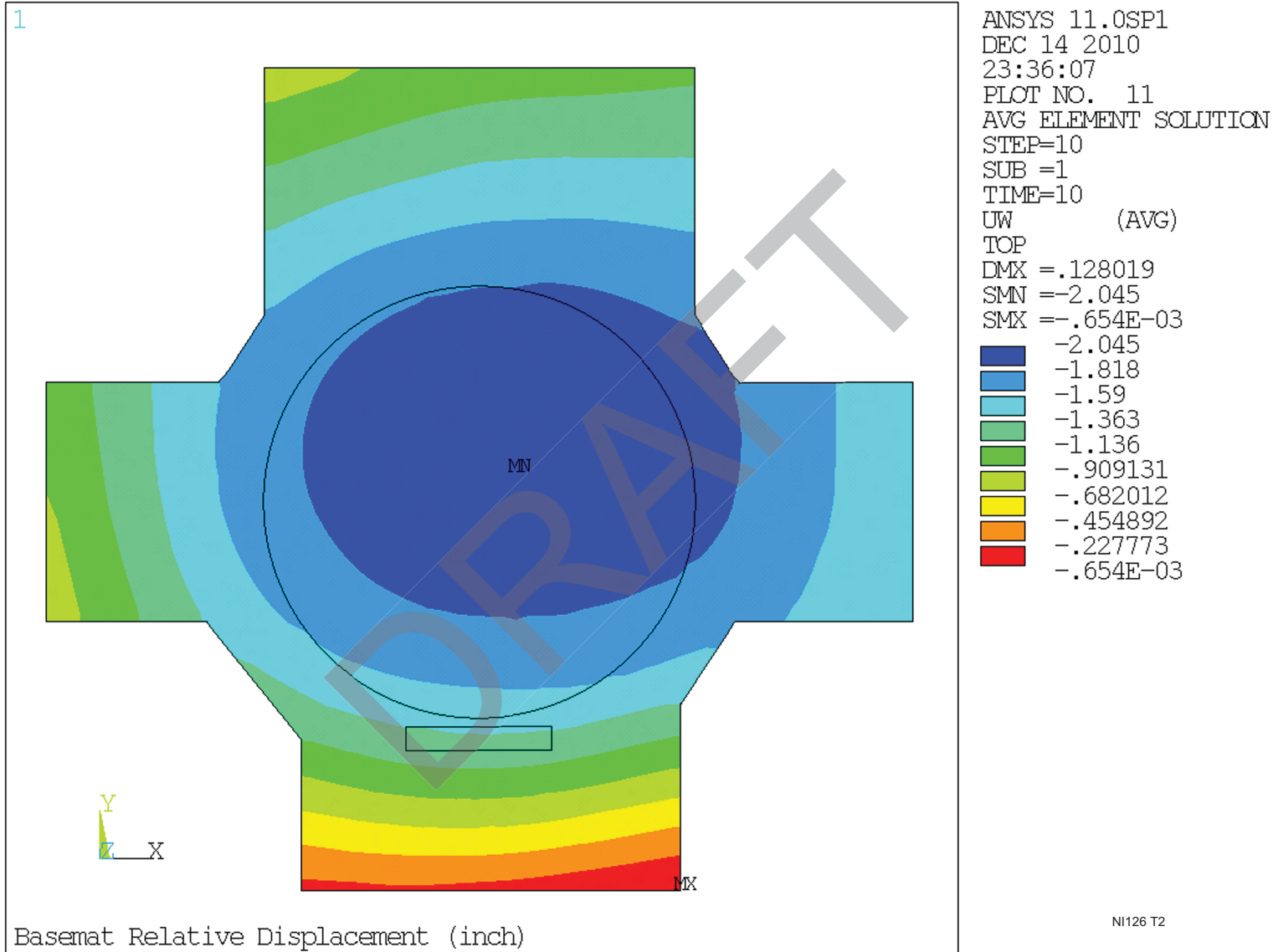


Figure 3.8-127—Relative Differential Settlement Step 4. Walls up to Grade Elevation

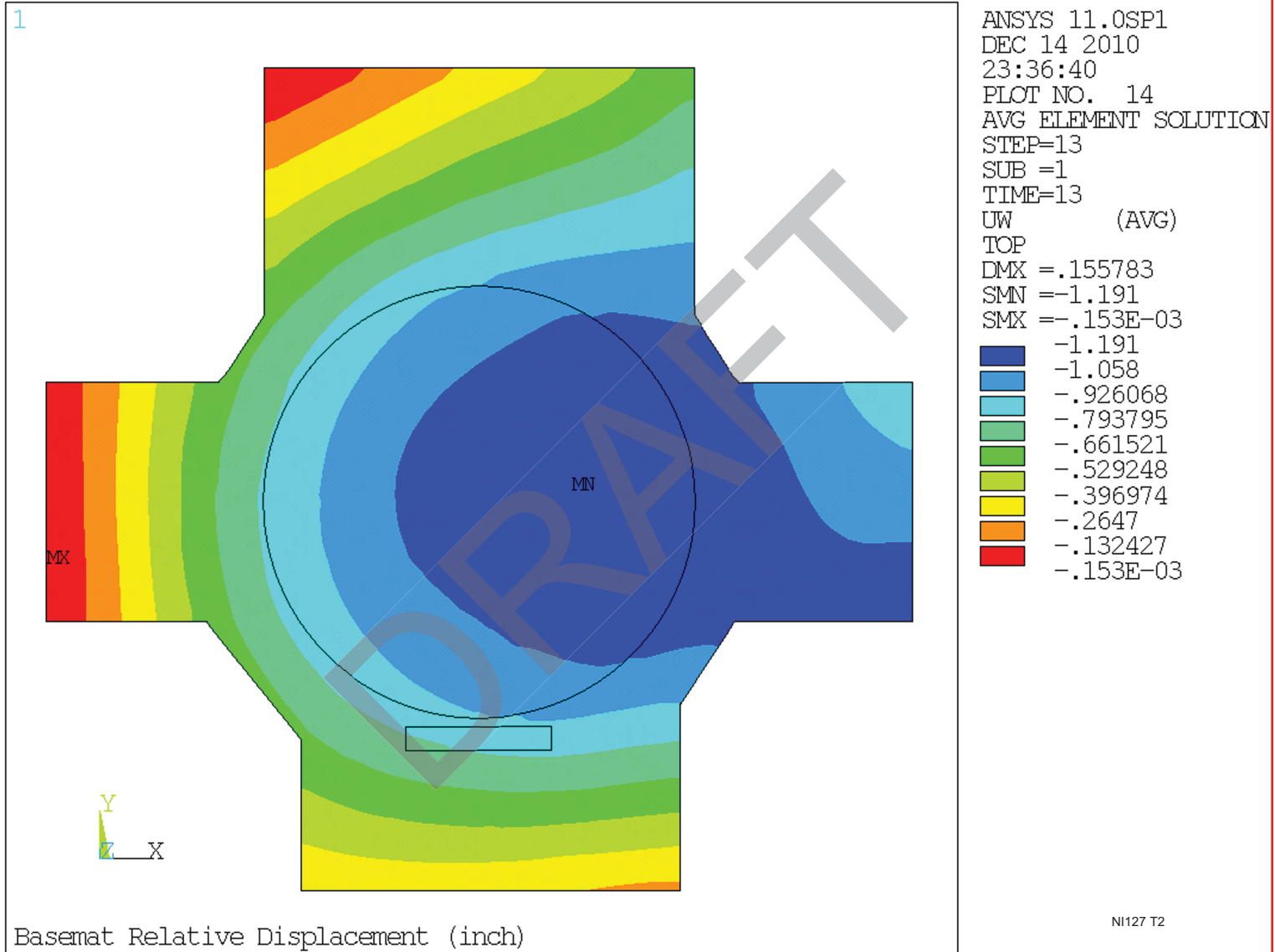


Figure 3.8-128—Relative Differential Settlement Step 5. Floor Slabs at Grade Elevation

