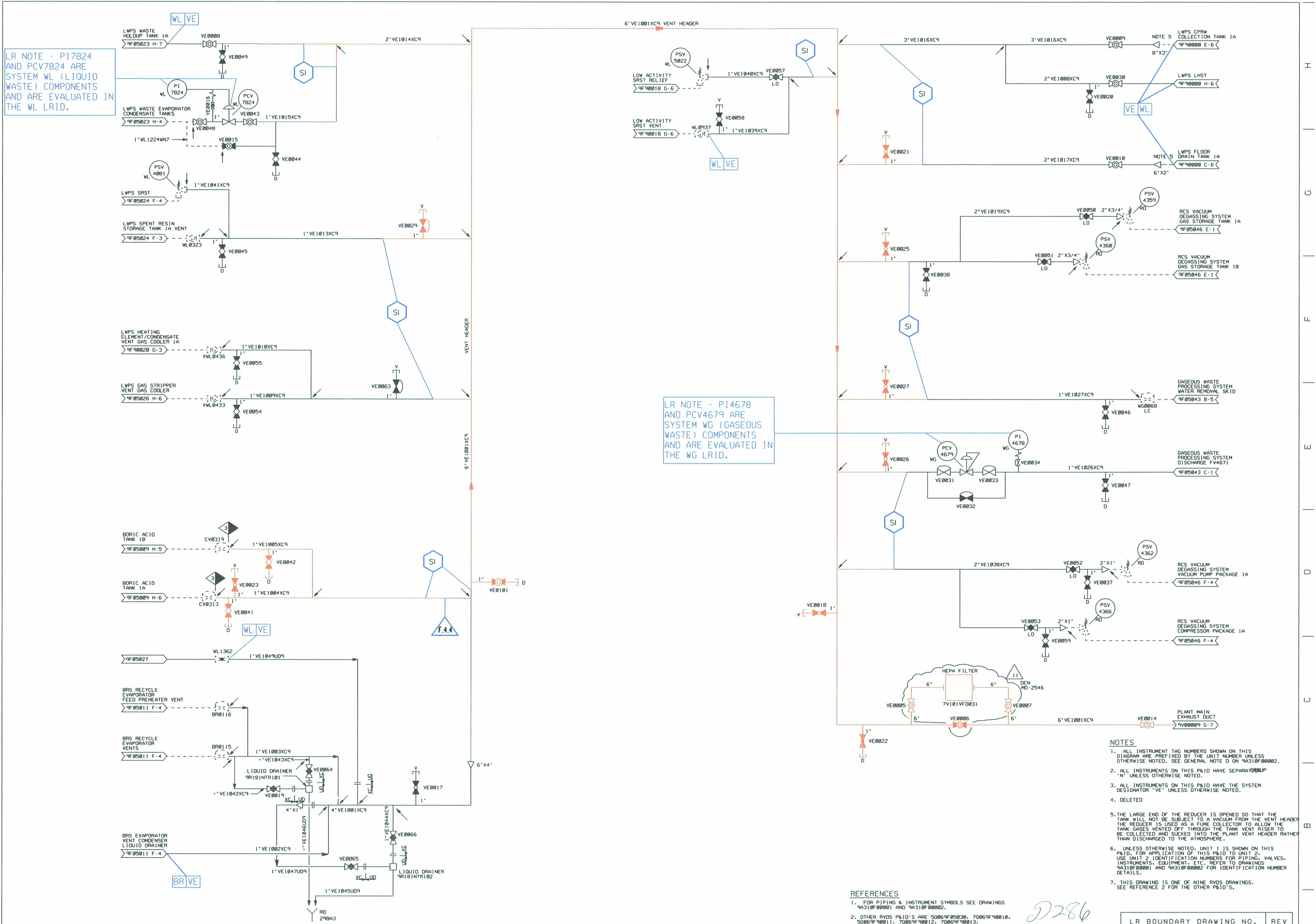


LR NOTE - P17824 AND PCV7824 ARE SYSTEM WL (LIQUID WASTE) COMPONENTS AND ARE EVALUATED IN THE WL LRID.

LR NOTE - P14678 AND PCV4679 ARE SYSTEM WG (GASEOUS WASTE) COMPONENTS AND ARE EVALUATED IN THE WG LRID.



- NOTES**
1. ALL INSTRUMENT TAG NUMBERS SHOWN ON THIS DIAGRAM ARE PREFIXED BY THE UNIT NUMBER UNLESS OTHERWISE NOTED. SEE GENERAL NOTE D ON 9A310F00002.
 2. ALL INSTRUMENTS ON THIS P&ID HAVE SEPARATE RIBUP "N" UNLESS OTHERWISE NOTED.
 3. ALL INSTRUMENTS ON THIS P&ID HAVE THE SYSTEM DESIGNATOR "VE" UNLESS OTHERWISE NOTED.
 4. DELETED
 5. THE LARGE END OF THE REDUCER IS OPENED SO THAT THE TANK WILL NOT BE SUBJECT TO A VACUUM FROM THE VENT HEADER. THE REDUCER IS USED AS A FUME COLLECTOR TO ALLOW THE TANK GASES VENTED OFF THROUGH THE TANK VENT RISER TO BE COLLECTED AND SUCKED INTO THE PLANT VENT HEADER RATHER THAN DISCHARGED TO THE ATMOSPHERE.
 6. UNLESS OTHERWISE NOTED, UNIT 1 IS SHOWN ON THIS P&ID. FOR APPLICATION OF THIS P&ID TO UNIT 2, USE UNIT 2 IDENTIFICATION NUMBERS FOR PIPING, VALVES, INSTRUMENTS, EQUIPMENT, ETC. REFER TO DRAWINGS 9A310F00001 AND 9A310F00002 FOR IDENTIFICATION NUMBER DETAILS.
 7. THIS DRAWING IS ONE OF NINE RVD'S DRAWINGS. SEE REFERENCE 2 FOR THE OTHER P&ID'S.

- REFERENCES**
1. FOR PIPING & INSTRUMENT SYMBOLS SEE DRAWINGS 9A310F00001 AND 9A310F00002.
 2. OTHER RVD'S P&ID'S ARE 50069F05030, 70069F90010, 50069F90011, 70069F90012, 70069F90013, 70069F90014, 70069F90015 & 70069F90016, 90069F90026.

D286

LR BOUNDARY DRAWING NO.	REV
LR-STP-VE-90069F05036*1	0A

INCORP. DCN MD-82546		LDD		SIGNATURES ON FILE																	
03-31-92 H&B ASSUMES DESIGN CHANGE CONTROL & INC. DCN MD-2327.				SIGNATURES ON FILE																	
12-03-82 ISSUED FOR CONSTRUCTION				SIGNATURES ON FILE																	
NO.	ISSUE DATE	REVISION	ORIG	CKR	RE	DV	SE	NO.	ISSUE DATE	REVISION	ORIG	CKR	RE	DV	SE						
8								6													
7								5													
6								4													
5								3													
4								2													
3								1													
										2LDD											
										SCALE		NONE		DWG. NO.		90069F05036*1		SHT.		REV.	
										PRIORITY		CADD FILE NO.		FSUG. NO.		STJ. NO.		11		FJA163.111	



PIPING & INSTRUMENTATION DIAGRAM
RADIOACTIVE VENT AND DRAIN SYSTEM
RADIOACTIVE VENT HEADER