

**REFERENCE DRAWINGS:**

- 9321-F-27293 SH. 1-STEAM GENERATOR BLOWDOWN SYSTEM.
- 9321-F-27453-SAMPLING SYSTEM-FLOW DIAGRAM.
- 9321-F-27463-ISOLATION VALVE SEAL WATER SYSTEM-FLOW DIAGRAM.
- 9321-F-27513-SH. 1 AUX COOLANT SYSTEM-FLOW DIAGRAM.
- 9321-F-27513-SH. 2 AUX COOLANT SYSTEM-FLOW DIAGRAM.

**LEGEND:**

- IVSWS ISOLATION VALVE SEAL WATER SYSTEM
- L.O. LOCKED OPEN VALVE
- L.C. LOCKED CLOSED VALVE
- T CONTAINMENT ISOLATION SIGNAL
- F.C. FAIL CLOSE (AIR OPERATED VALVE)
- SEISMIC CLASSIFICATION
- LOCAL CONTROL PANEL

**NOTES:**

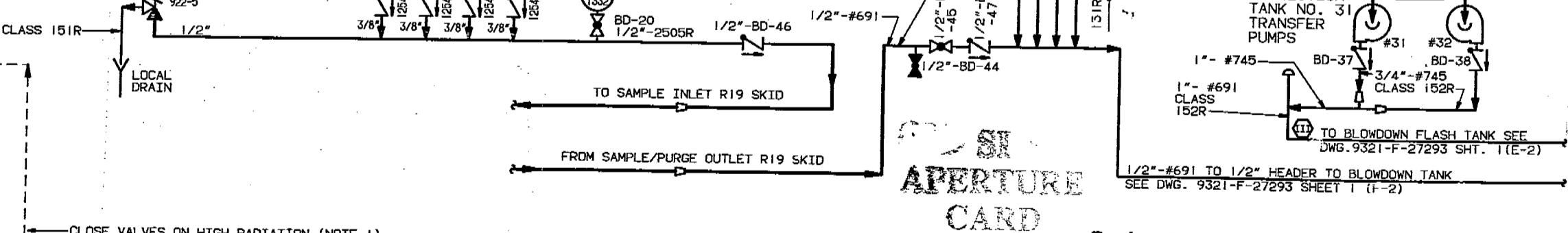
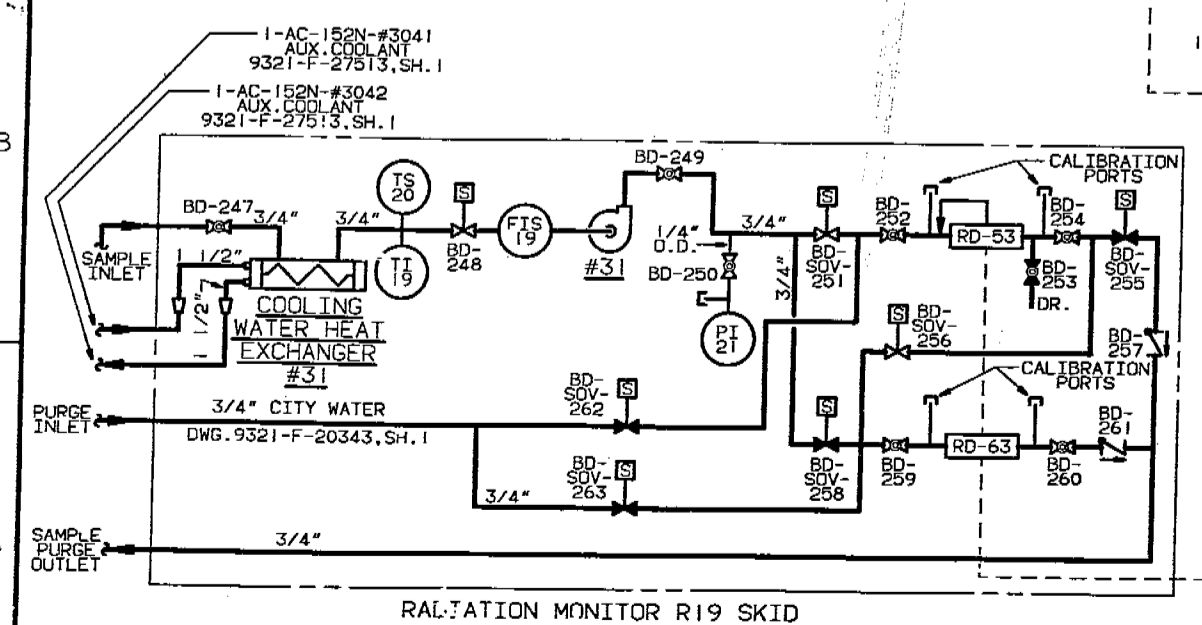
- VALVES TO CLOSE UPON HIGH RADIATION ALARM.
- ALL VALVE NO'S ARE PRECEDED BY A "BD" SYSTEM DESIGNATION UNLESS OTHERWISE NOTED.
- (X) - PENETRATION NUMBER (REF. F. S. A. R.)
- THIS DWG. SHALL BE USED ONLY FOR DETERMINING THE EXTENT OF THE INSERVICE INSPECTION BOUNDARIES.
- BOUNDARIES SHOWN TO INCLUDE BOUNDARY VALVES WHERE APPROPRIATE. THE ACTUAL PRESSURE RETAINING I.S.I. BOUNDARIES FOR LEAKAGE AND HYDROSTATIC TESTING EXTEND ONLY TO VALVE INTERVALS THAT COMPRISE THE EFFECTIVE ORATORATOR ASSEMBLY.

**ISI LEGEND**

- ISI CLASS I
- - - ISI CLASS II
- - - ISI CLASS III

C.I.V. - CONTAINMENT ISOLATION VALVE

**INFORMATION ONLY**



Docket # 50-286  
 Accession # 931170 Z10  
 Date 11/9/93 of Ltr  
 Regulatory Docket File

REV NO	DATE	DESCRIPTION	BY	CHK'D
5	10/93	UPDATED TO 9321-F-27293, SH. 2, REV. 8.	REG	KJ
4	1/93	UPDATED TO 9321-F-27293, SH. 2, REV. 4 THRU 7.	REG	KJ
3	3/93	UPDATED TO 9321-F-27293, SH. 2, REV. 3.	REG	KJ

DESIGN	CHK'D	INDIAN POINT NO. 3 NUCLEAR POWER PLANT
DES SUPV		
DISCIPLINE ENG		
DISCIPLINE MGR		
PROJ APPROVAL		FLOW DIAGRAM STEAM GENERATOR BLOWDOWN SAMPLE PANEL
DATE		
New York Power Authority		SCALE
		DWG NO. 9321-F-27293
		SHEET 2
		REV 5