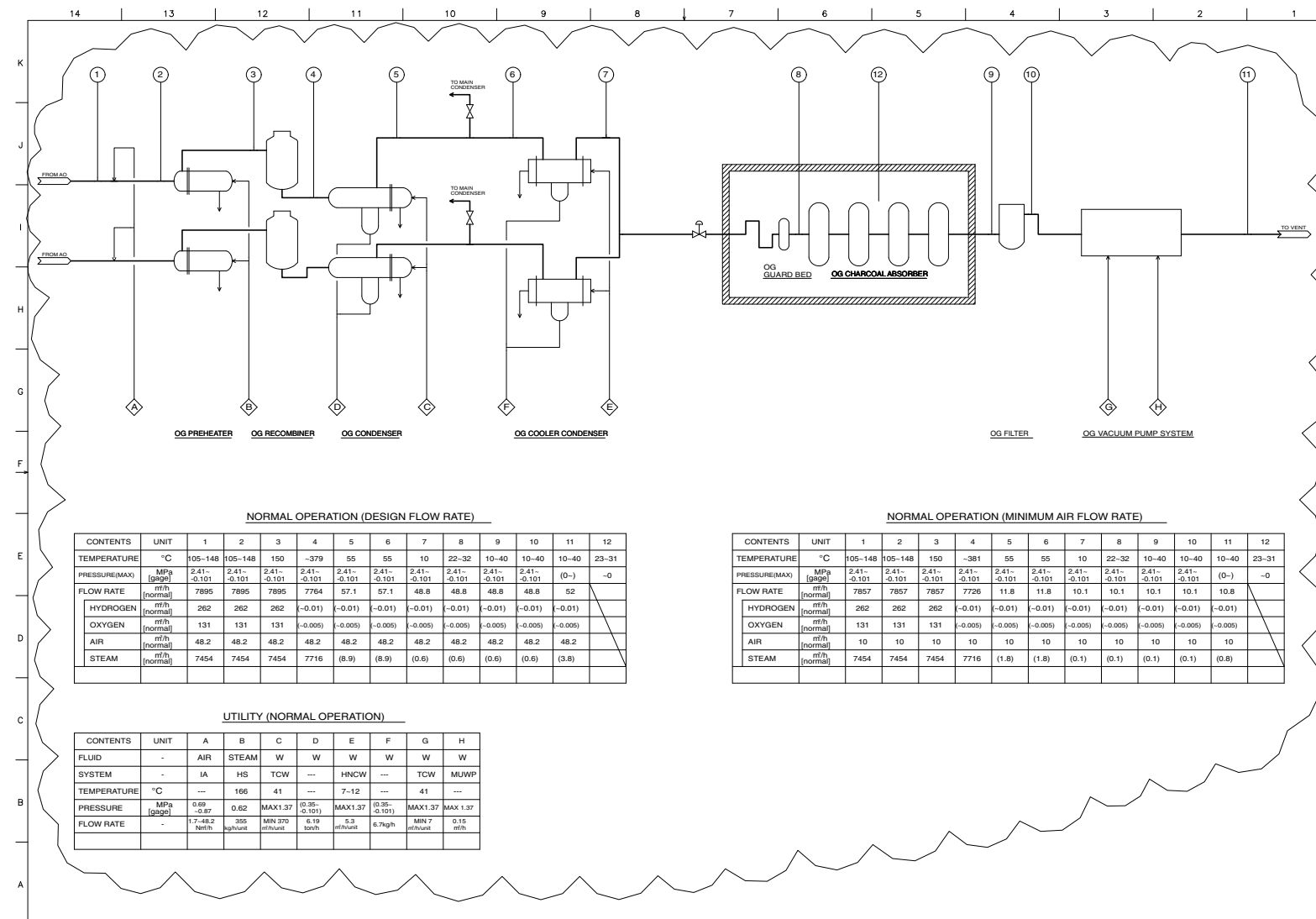


Figure 11.2-1 Radwaste System PFD (Sheet 1 of 2)





NORMAL OPERATION (DESIGN FLOW RATE)

CONTENTS	UNIT	1	2	3	4	5	6	7	8	9	10	11	12
TEMPERATURE	°C	105-148	105-148	150	-379	55	55	10	22-32	10-40	10-40	10-40	23-31
PRESSURE(MAX)	MPa (gag)	2.41- -0.101	2.41- -0.101	2.41- -0.101	2.41- -0.101	2.41- -0.101	2.41- -0.101	2.41- -0.101	2.41- -0.101	2.41- -0.101	2.41- -0.101	(0-)	-0
FLOW RATE	m <sup>3</sup> /h (normal)	7895	7895	7895	7764	57.1	57.1	48.8	48.8	48.8	48.8	52	
HYDROGEN	m <sup>3</sup> /h (normal)	262	262	262	(-0.01)	(-0.01)	(-0.01)	(-0.01)	(-0.01)	(-0.01)	(-0.01)	(-0.01)	
OXYGEN	m <sup>3</sup> /h (normal)	131	131	131	(-0.005)	(-0.005)	(-0.005)	(-0.005)	(-0.005)	(-0.005)	(-0.005)	(-0.005)	
AIR	m <sup>3</sup> /h (normal)	48.2	48.2	48.2	48.2	48.2	48.2	48.2	48.2	48.2	48.2	48.2	
STEAM	m <sup>3</sup> /h (normal)	7454	7454	7454	7716	(8.9)	(8.9)	(0.6)	(0.6)	(0.6)	(0.6)	(3.8)	

NORMAL OPERATION (MINIMUM AIR FLOW RATE)

CONTENTS	UNIT	1	2	3	4	5	6	7	8	9	10	11	12
TEMPERATURE	°C	105-148	105-148	150	-381	55	55	10	22-32	10-40	10-40	10-40	23-31
PRESSURE(MAX)	MPa (gag)	2.41- -0.101	2.41- -0.101	2.41- -0.101	2.41- -0.101	2.41- -0.101	2.41- -0.101	2.41- -0.101	2.41- -0.101	2.41- -0.101	2.41- -0.101	(0-)	-0
FLOW RATE	m <sup>3</sup> /h (normal)	7857	7857	7857	7726	11.8	11.8	10.1	10.1	10.1	10.1	10.8	
HYDROGEN	m <sup>3</sup> /h (normal)	262	262	262	(-0.01)	(-0.01)	(-0.01)	(-0.01)	(-0.01)	(-0.01)	(-0.01)	(-0.01)	
OXYGEN	m <sup>3</sup> /h (normal)	131	131	131	(-0.005)	(-0.005)	(-0.005)	(-0.005)	(-0.005)	(-0.005)	(-0.005)	(-0.005)	
AIR	m <sup>3</sup> /h (normal)	10	10	10	10	10	10	10	10	10	10	10	
STEAM	m <sup>3</sup> /h (normal)	7454	7454	7454	7716	(1.8)	(1.8)	(0.1)	(0.1)	(0.1)	(0.1)	(0.8)	

UTILITY (NORMAL OPERATION)

CONTENTS	UNIT	A	B	C	D	E	F	G	H
FLUID	-	AIR	STEAM	W	W	W	W	W	W
SYSTEM	-	IA	HS	TCW	-	HNCW	-	TCW	MUWP
TEMPERATURE	°C	-	166	41	-	7-12	-	41	-
PRESSURE	MPa (gag)	0.69 -0.67	0.62	MAX1.37 (0.101)	-	MAX1.37 (0.101)	-	MAX1.37 (0.101)	MAX1.37
FLOW RATE	-	17.48.2 m <sup>3</sup> /h	355 kg/hour	MIN 370 m <sup>3</sup> /hour	6.18 m <sup>3</sup> /hour	5.3 m <sup>3</sup> /hour	6.7g/h	MIN 7 m <sup>3</sup> /hour	0.15 m <sup>3</sup> /h

Figure 11.3-1 Offgas System PFD

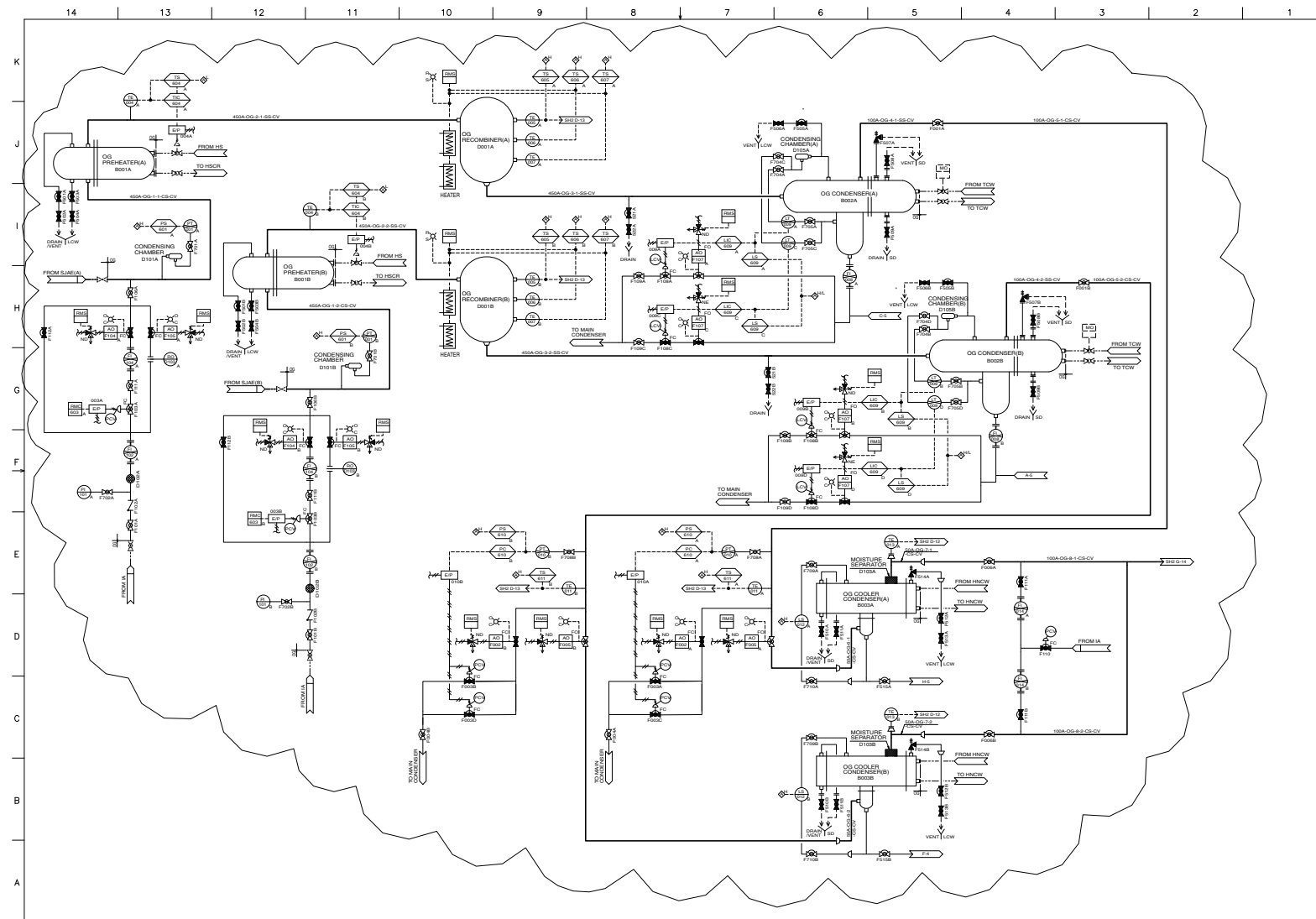


Figure 11.3-2 Offgas System P&ID (Sheet 1 of 3)

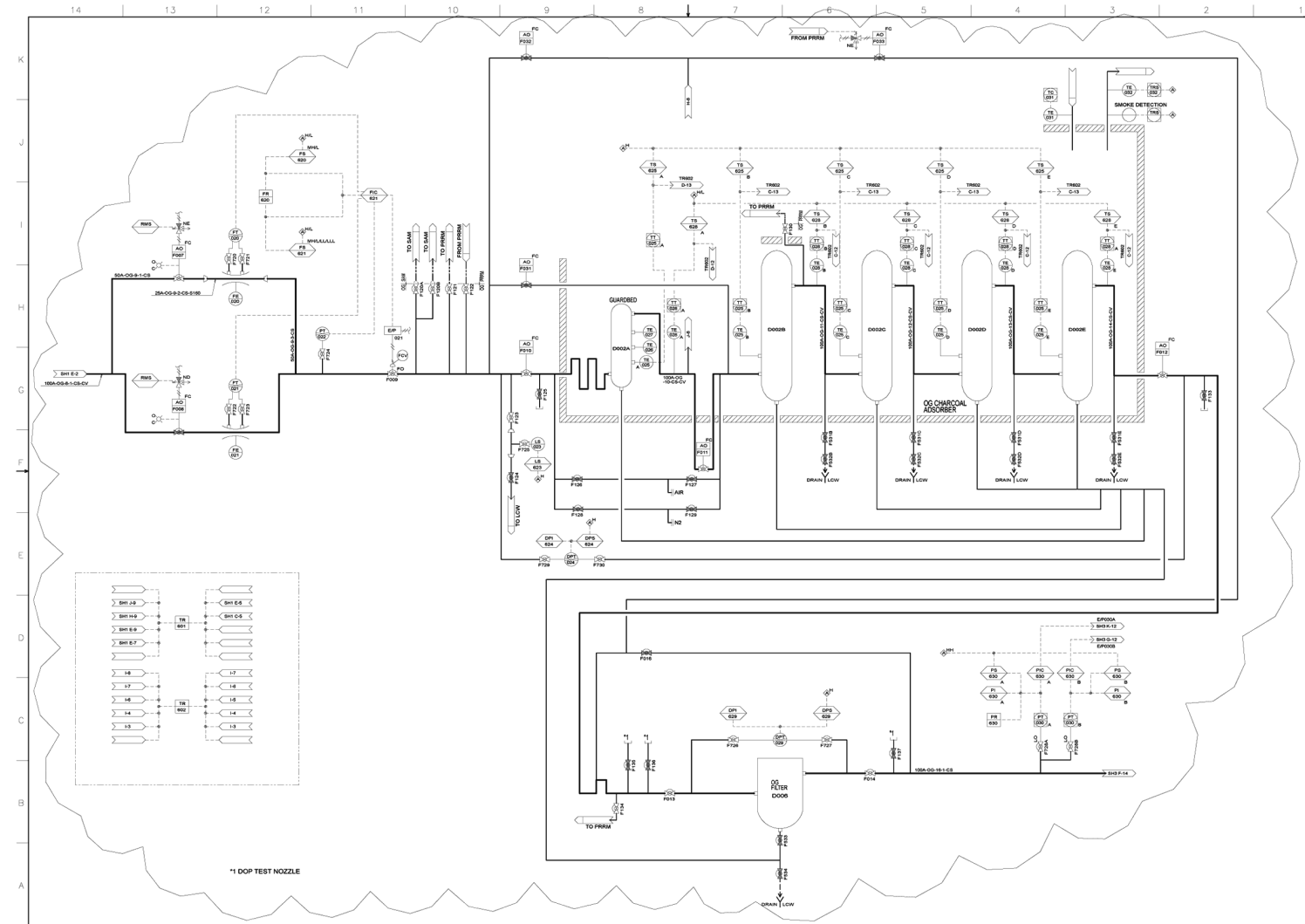


Figure 11.3-2 Offgas System P&ID (Sheet 2 of 3)

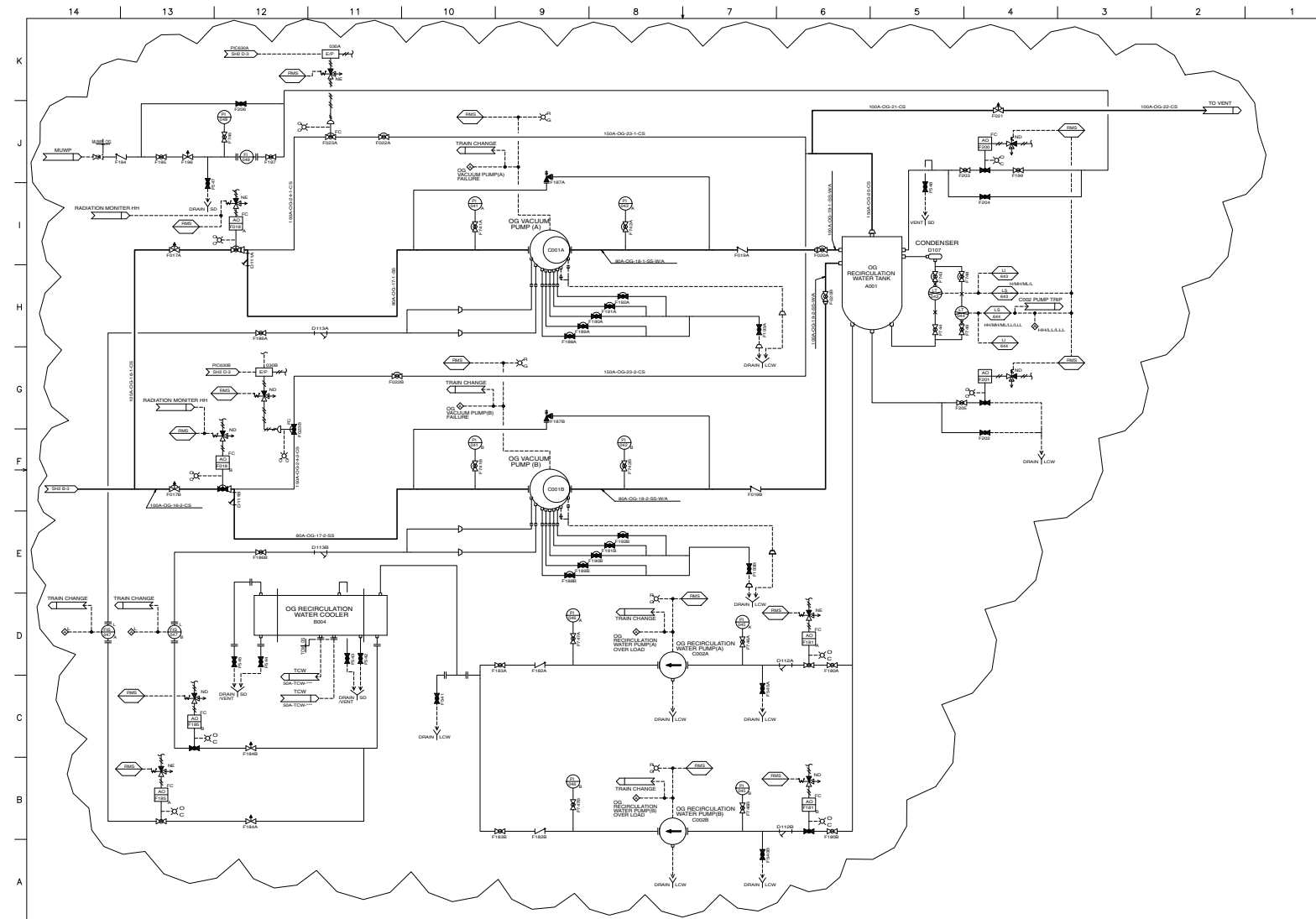


Figure 11.3-2 Offgas System P&ID (Sheet 3 of 3)