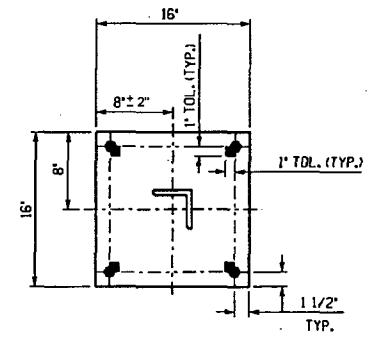


ITEM NO.	NO. REQ'D	DESCRIPTION
1	4	3/4" DIA. x 8" LG. MILTI KWIK BOLT 3, (PART NO. 282528)
2	1	PLATE 3/4" x 16" x 16" WITH (4) 13/16" DIA. HOLES (SEE SECTION A-A) (A-36)
3	1	ANGLE 4" x 4" x 1/2" x 8'-9" LG. (CUT LG. TO SUIT) (A-36)
4	1	ANGLE 6" x 4" x 1/2" x 2'-1" LG. (A-36)
5	2	CC-4 STRAP TYPE "A" WITH BP-4 (SEE DRAWING 30354)



FOR LOCATION PLAN
 SEE SHEET 34 OF THIS DRAWING

NOTE "A" - REV. B
 UPDATED/ISSUED PER DCP 80101382, AD H29R0.

NO	DATE	DESCRIPTION	OWN	PEER REV	APD
0	11	SEE NOTE "A"			
REVISION					

80101382R2
 H29R0
 INSTALL NEW CUDE AS SHOWN

PSEG NUCLEAR L.L.C.
 NUCLEAR ENGINEERING

DATE _____ DRAWN _____ CHECKED _____ EXAMINED _____

ATTENTION: ANY REVISION TO THIS DRAWING SHALL BE MADE ONLY BY CAED

SALEM NUCLEAR GENERATING STATION
 NO. 1 UNIT - REACTOR CONTAINMENT
 AUXILIARY FEEDWATER
 ELEVATION 78'-0" & 100'-0"

HANGERS MECHANICAL

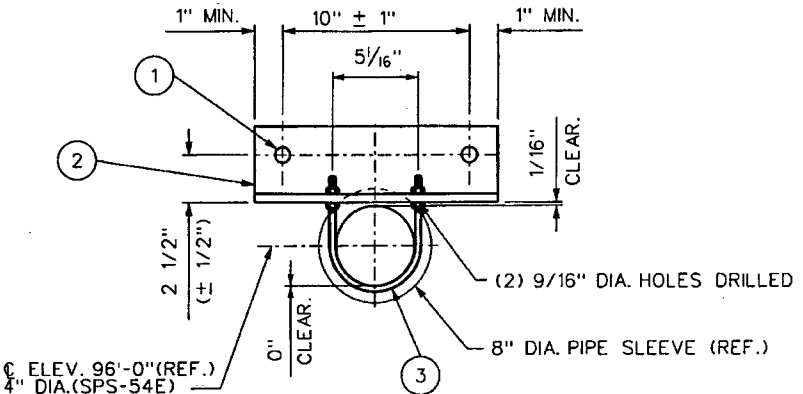
REF. DWG.
 207483

226129-D -0

SH. 26

81-6

ITEM NO.	NO. REQ'D	DESCRIPTION
1	2	3/4" DIA. x 7" LG. HILTI KWIK BOLT 3, MIN. EMBED LG. x 3 1/4" (PART NO. 282519)
2	1	ANGLE 4" x 4" x 3/8" x 13" LG. (A-36)
3	1	CSUB-4 U-BOLT (681713) OR EQUIVALENT



ELEVATION LOOKING SOUTH
 (ONE ASSEMBLY REQUIRED PER SUPPORT NUMBER)

14AFWG-4634

(REF. STRESS CALC. 267274D, N.P. 73)

FOR LOCATION PLAN
 SEE SHEET 34 OF THIS DRAWING

NOTE "A" - REV. 0
 UPDATED/ISSUED PER DCP 80101382, AD H36R0.

ATTENTION: ANY REVISION TO THIS DRAWING
 SHALL BE MADE ONLY BY CAED

REF. DWG.
 207483

80101382R2 H36R0 INSTALL NEW GUIDE AS SHOWN				PSEG NUCLEAR L.L.C. NUCLEAR ENGINEERING	SALEM NUCLEAR GENERATING STATION NO. 1 UNIT - REACTOR CONTAINMENT AUXILIARY FEEDWATER ELEVATION 78'-0" & 100'-0"	226129-D -0
REVISION NO. DATE DESCRIPTION DWN PEER REV APD				DATE _____ DRAWN _____ CHECKED _____ EXAMINED _____	HANGERS MECHANICAL	SH. 33