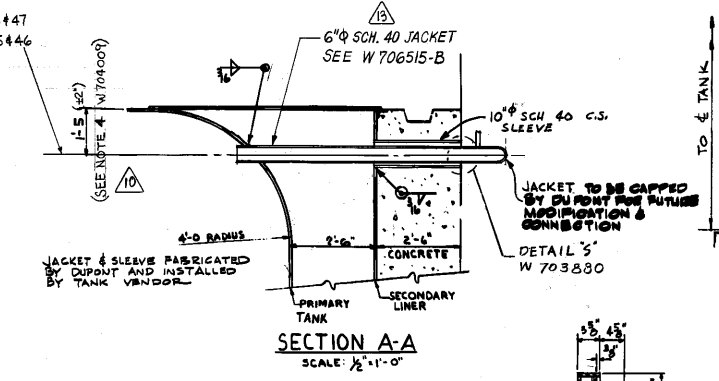
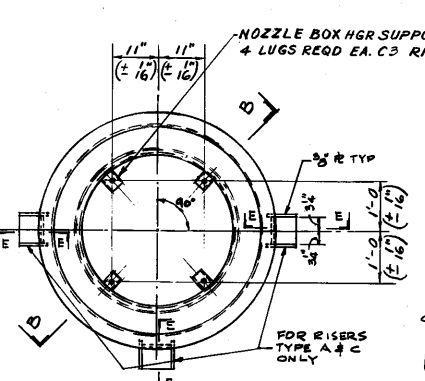


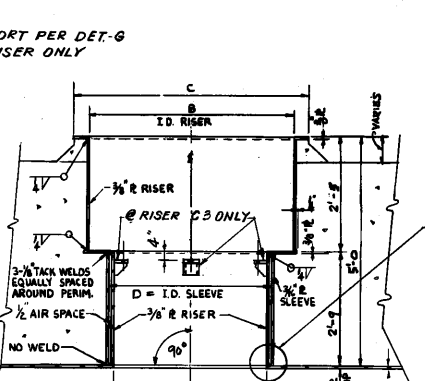
EL 279.91 TK 44+47
EL 281.34 TK 45+446



SECTION A-A
SCALE: 1/2" = 1'-0"

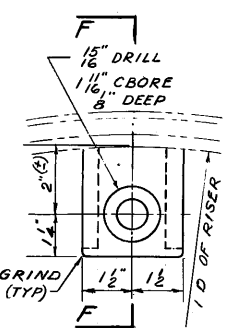


RISER TOP PLAN
TYPICAL RISER PLATE DETAILS
NO SCALE, SEE SCHEDULE BELOW

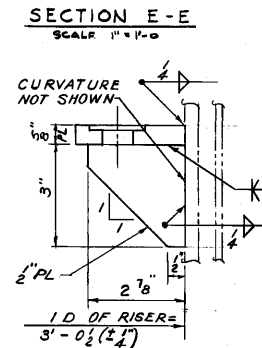


SECTION B-B

RISER & SLEEVE SCHEDULE					
TYPE	DESIGNATION	A	B	C	D
A	INSTRUMENT AND PERISCOPE RISERS	2'-6 1/2"	3'-0 1/2"	4'-2"	NO SLEEVE
B	ACCESS RISERS	3'-0 1/2"	4'-0 1/2"	4'-8"	3'-2 1/4"
C1 & C2	CF-SUPERNATE INLET-JET-OUT CF-SUPERNATE	3'-0 1/2"	4'-0 1/2"	4'-8"	3'-2 1/4"
D	THERMOWELL RISER	0'-9 1/4"	1'-8 1/4"	2'-1"	0'-11"
E1 & E2	INSTRUMENT OR LIQUID LEVEL RISERS-EZ	2'-0 1/2"	3'-0 1/2"	3'-8"	2'-2 1/4"
F	ANNULUS JET RISER	SEE DETAIL "E"			
G & H	CONSTRUCTION ACCESS RISERS	4'-1 1/2"	8'-4 1/2"	9'-11 1/2"	4'-6 1/2"
J	DEMISTER RISER	SEE DETAIL "D"			
K	H2V INLET DUCT	SEE DETAIL "C"			
L	H2V EXHAUST RISER	SEE DETAIL "D"			
P	PERISCOPE RISER	SEE DETAIL "F"			
V	PUMP RISER W/ 3/4" TW INSERT PLUG	3'-0 1/2"	4'-0 1/2"	4'-8"	3'-2 1/4"
C3	BOTTOMS LINE RISER	3'-0 1/2"	4'-0 1/2"	4'-8"	3'-2 1/4"



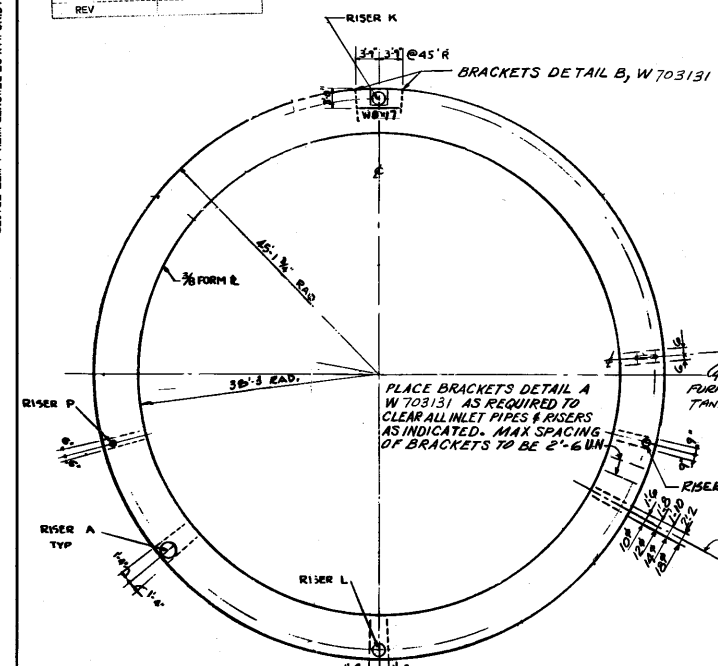
DETAIL G-LUG
SEE RISER TOP PLAN
HALF SIZE



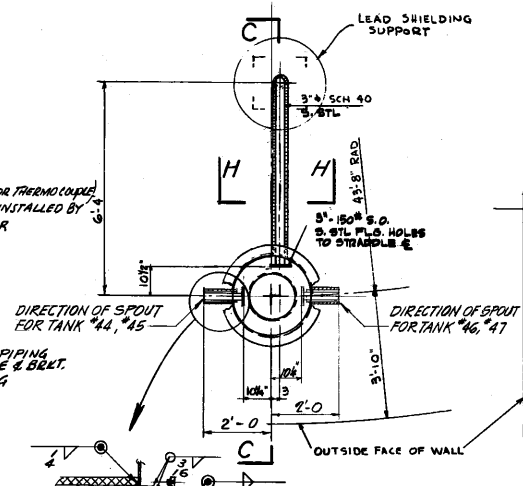
SECTION E-E
SCALE: 1" = 1'-0"

ISSUE & REV	VERIFIED BY DATE
FOR	
FINAL	
REV 1 - 15	
REV	
REV	
REV	
REV	
REV	
REV	

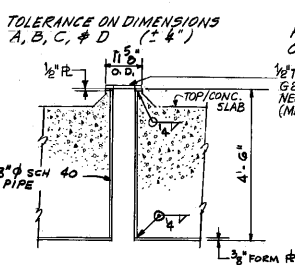
THE PHOTOGRAPHIC LINES ON THIS DRAWING MAY BE REMOVED WITH A WET ERASER



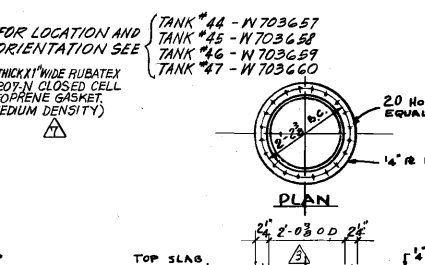
LAYOUT OF 3/8 FORM PLATE ATOP THE ANNULUS SPACE
SCALE: 3/8" = 1'-0"



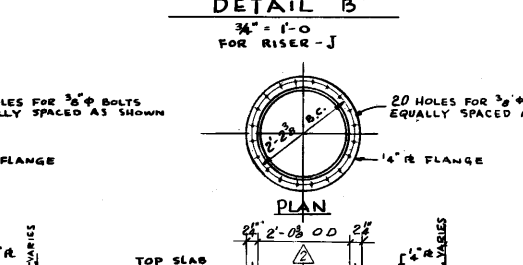
SECTION C-C
SCALE: 1/2" = 1'-0"
FOR RISER-F



DETAIL "F"
SCALE: 1/2" = 1'-0"
FOR RISER-P



DETAIL "C"
SCALE: 1/2" = 1'-0"
FOR RISER-K



DETAIL "D"
SCALE: 1/2" = 1'-0"
FOR RISER-L

INSULATION NOTES

- COAT THE STAINLESS STEEL PIPE WITH SODIUM SILICATE CORE 802, APPLIED IN ACCORDANCE WITH SPECIFICATION SA-102, D, RARA-EARTH 6.3
- INSULATE PIPE WITH 1 INCH THICK GLASS FIBER CODE NO. NOMINAL 8 LB PER CU FT DENSITY
- COVER STRAIGHT PORTS WITH ALUMINUM JACKET, CODE 716 WITH JOINT ON BOTTOM
- COVER ELBOWS WITH TWO PIECE ALUMINUM ELL COVERS CODE 713, OR INTERED ALUMINUM
- APPLY FIBRATED ASEALTE CUTBACK CODE 709 AS FOLLOWS: - SEAL LAPS AND JOINTS ON ALUMINUM JACKET. SEAL EXPOSED ENDS OF INSULATION AND ALUMINUM JACKET

THIS DWG. SUPERSEDES BID DWG. W700326.B.
REV. 1 TO 3 SHOW DESIGN CHANGES MADE FROM BIDDING TO I.C.R. ISSUE OF THIS DRAWING.

BIDG.	PROJ.	DA	DWG. TYP.	LATEST
241-54F	951747	11	45	15

SAVANNAH RIVER PLANT
BLDG. 241-54F TANK 44, 45, 46, 47
ADDITIONAL WASTE STORAGE TANKS
LINER PLATE ATTACHMENTS SH#2
STEEL

PROJ. NO.	REVISIONS	REVISION #	DATE	APPROVED BY	PROJ. NO.	REVISIONS	REVISION #	DATE	APPROVED BY
951747	1				951747	1			
951747	2				951747	2			
951747	3				951747	3			
951747	4				951747	4			
951747	5				951747	5			
951747	6				951747	6			
951747	7				951747	7			
951747	8				951747	8			
951747	9				951747	9			
951747	10				951747	10			

THIS DRAWING HAS BEEN FURNISHED BY E. I. DU PONT DE NEMOURS & CO. THE INFORMATION AND KNOWLEDGE THEREON MAY NOT BE USED NOR THE DRAWING REPRODUCED WITHOUT THE WRITTEN PERMISSION OF DU PONT. ALL REPRODUCTIONS IN WHOLE OR IN PART, INCLUDING VENDOR'S SHOP DRAWINGS, SHALL BEAR OR REFER TO THIS STAMP.

E. I. DU PONT DE NEMOURS & COMPANY
WILMINGTON, DELAWARE
ENGINEERING DEPARTMENT
W704010