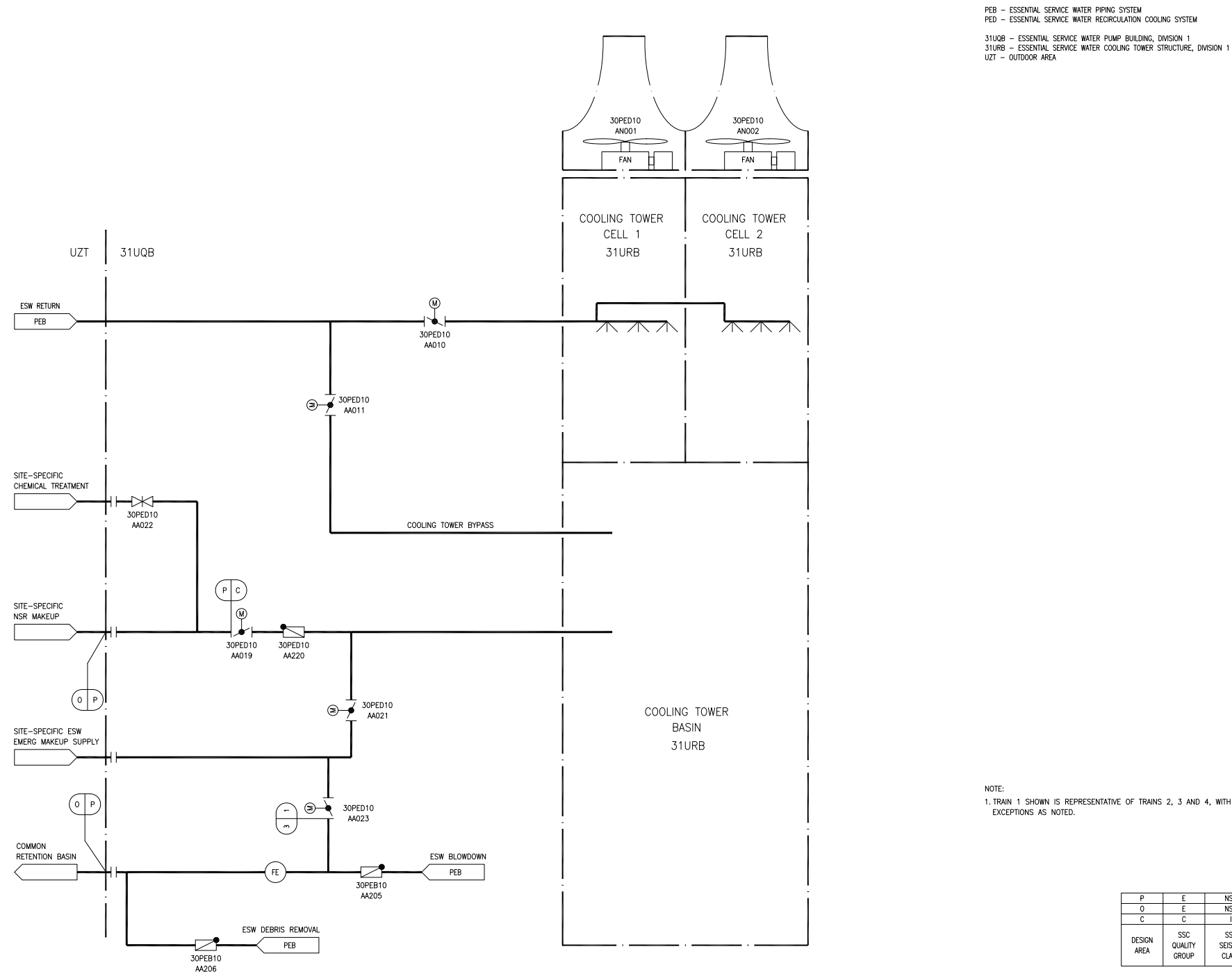
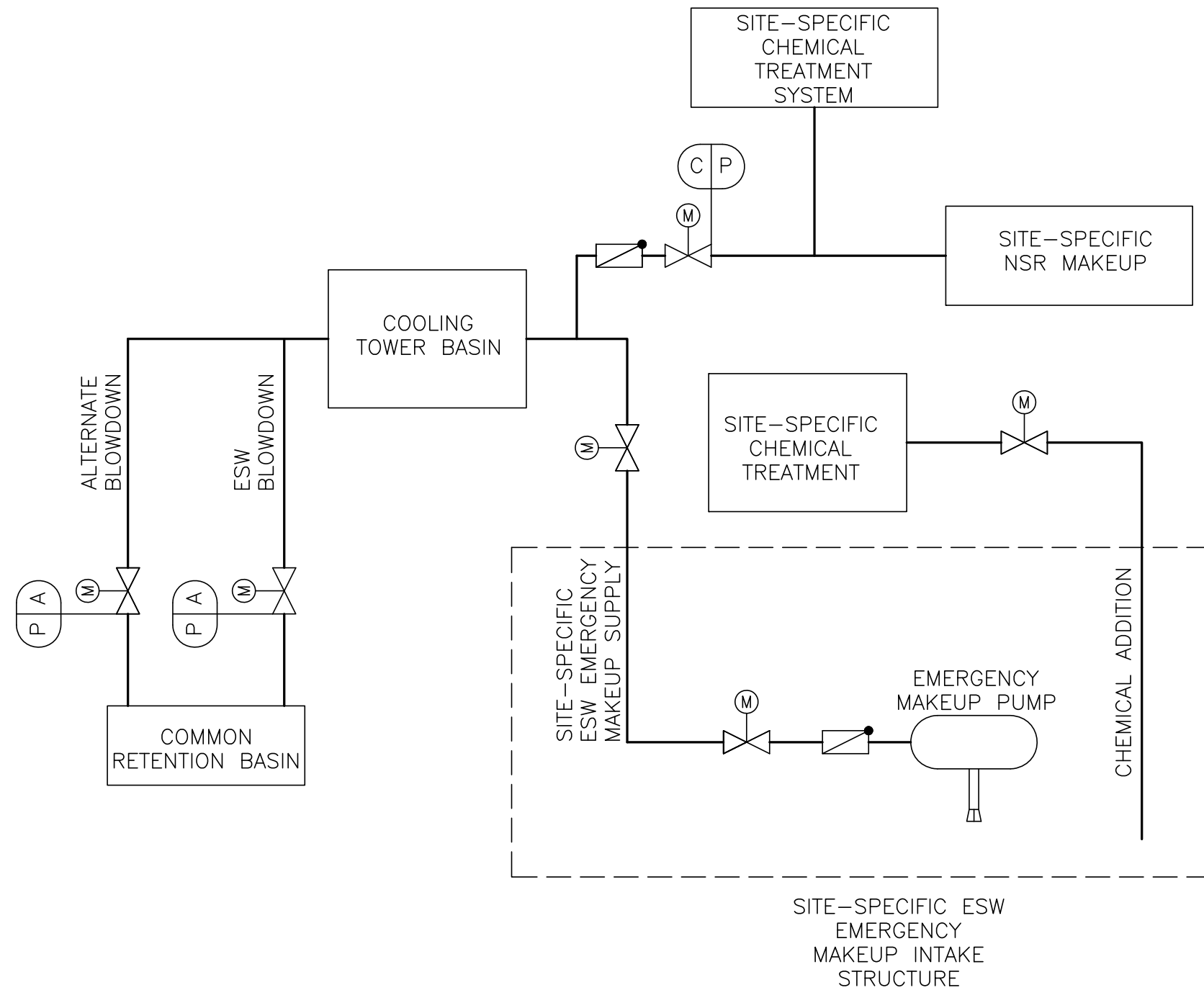


Figure 9.2.5-1—Ultimate Heat Sink Piping and Instrumentation Diagram



REV 002  
 PED01T2

Figure 9.2.5-2—[[Conceptual Site-Specific UHS Systems]]



NOTE:  
CONFIGURATION SHOWN  
IS REPRESENTATIVE  
FOR TRAINS 1, 2, 3, & 4

P	E	NSC
C	C	I
A	C	I
DESIGN AREA	SSC QUALITY GROUP	SSC SEISMIC CLASS

PED02T2