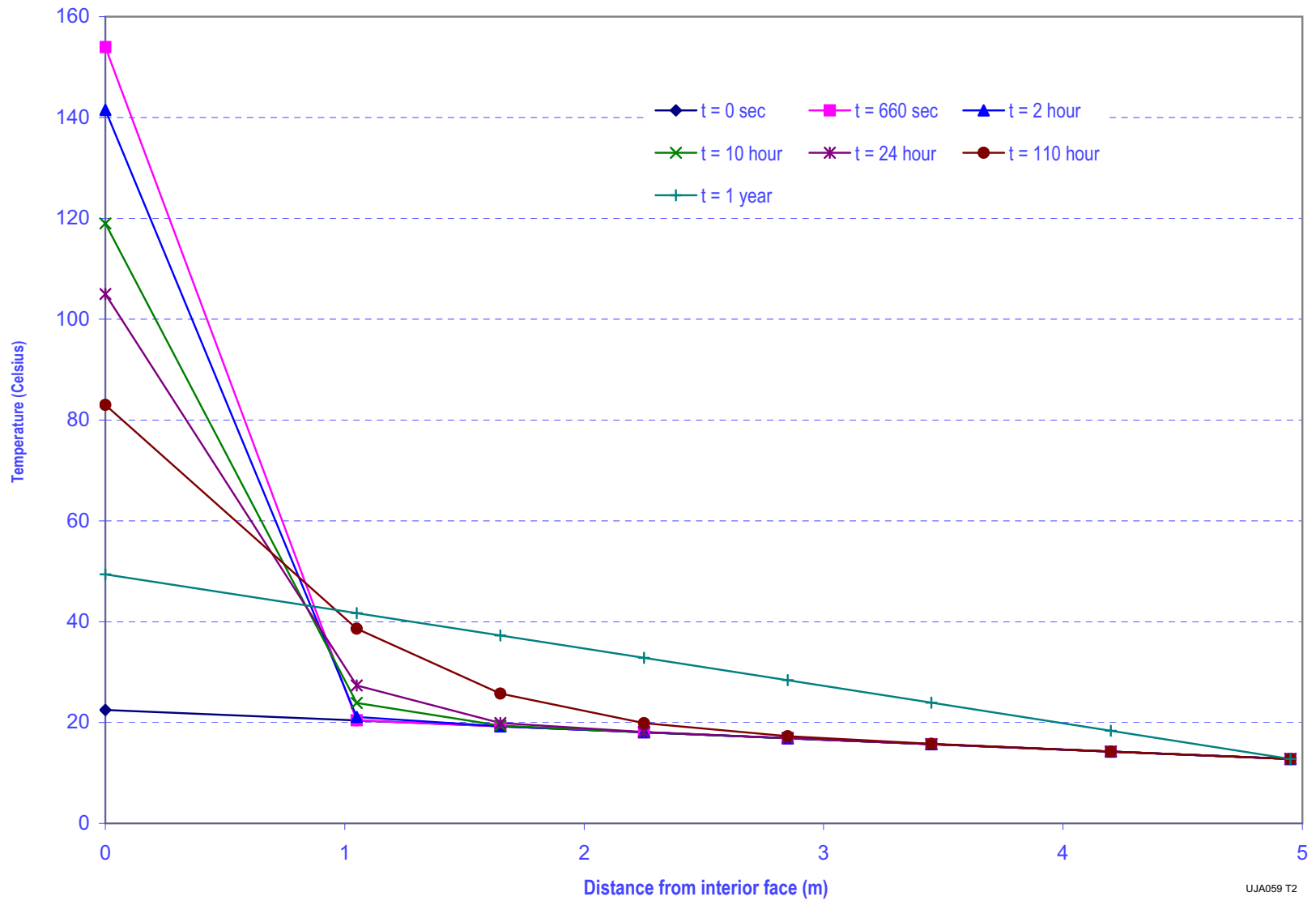
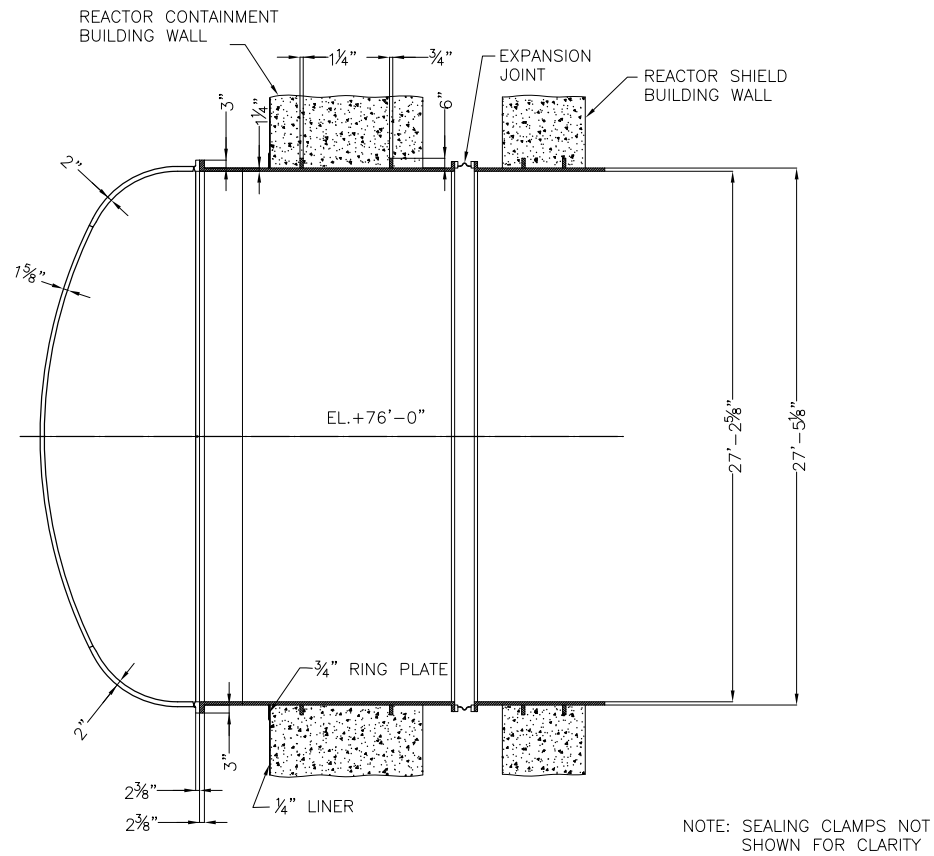


Figure 3.8-24—Temperature Gradient Through Basemat



UJA059 T2

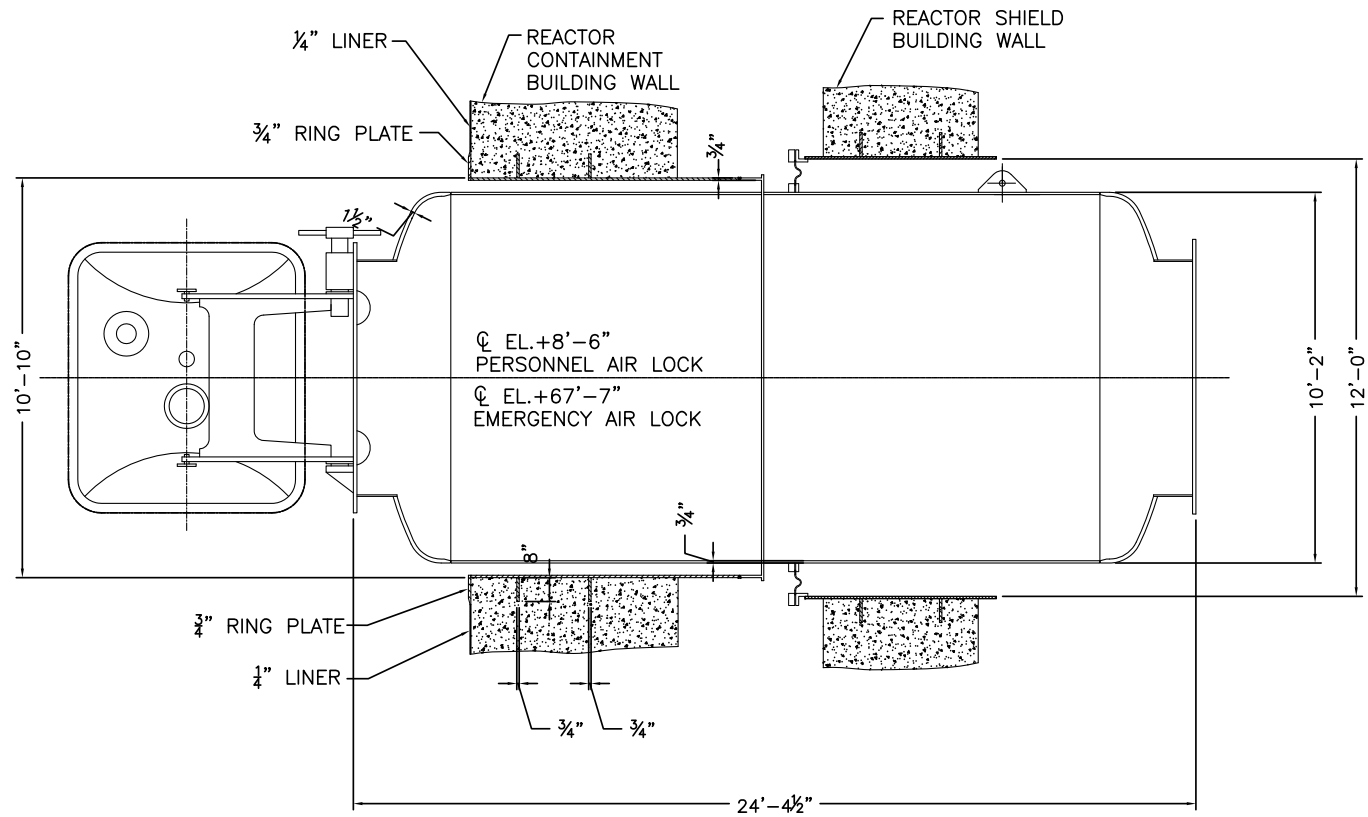
Figure 3.8-25—Equipment Hatch General Assembly



DIMENSIONS ARE FOR INFORMATION ONLY

REV 002
LUAD01 T2

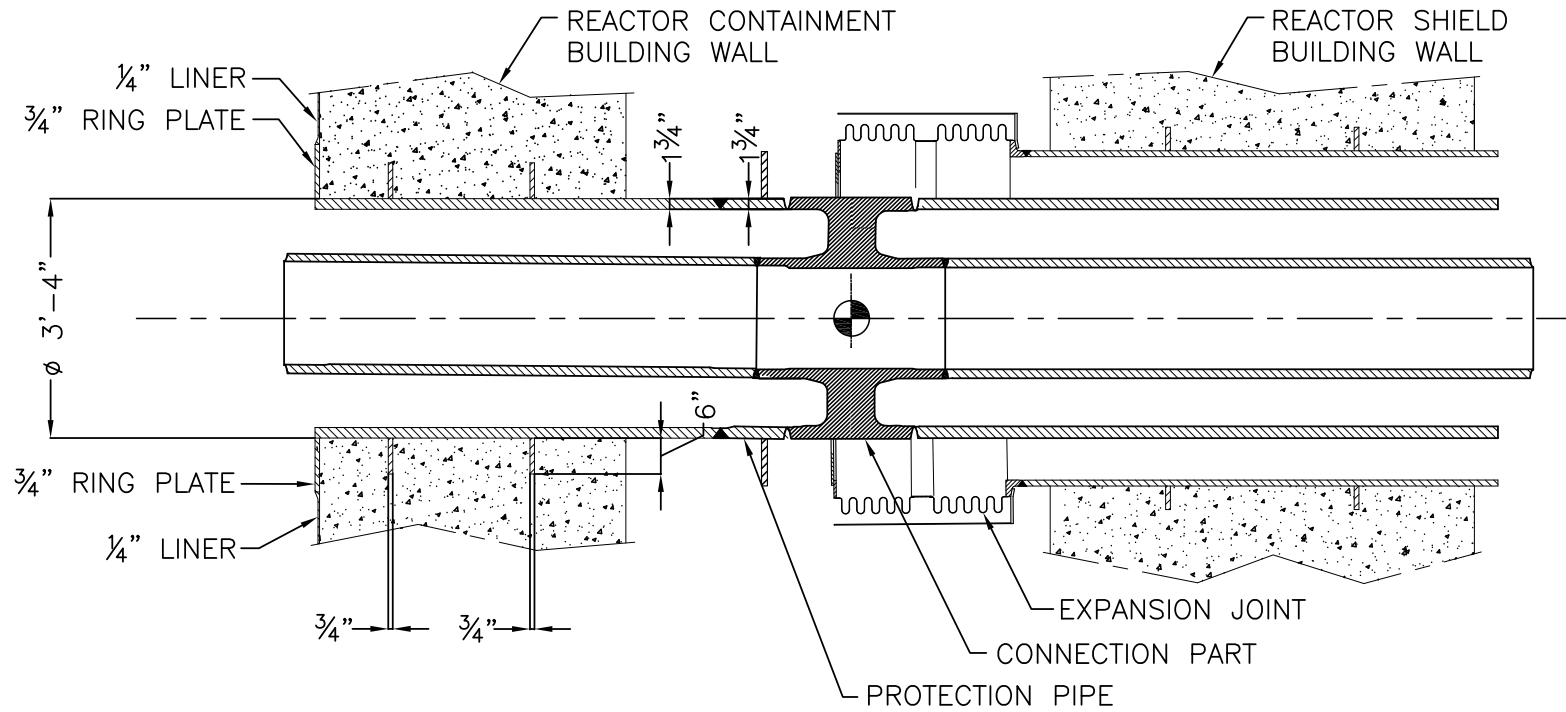
Figure 3.8-26—Personnel Airlock, Emergency Airlock General Overview



DIMENSIONS ARE FOR INFORMATION ONLY

REV 002
UJA002 T2

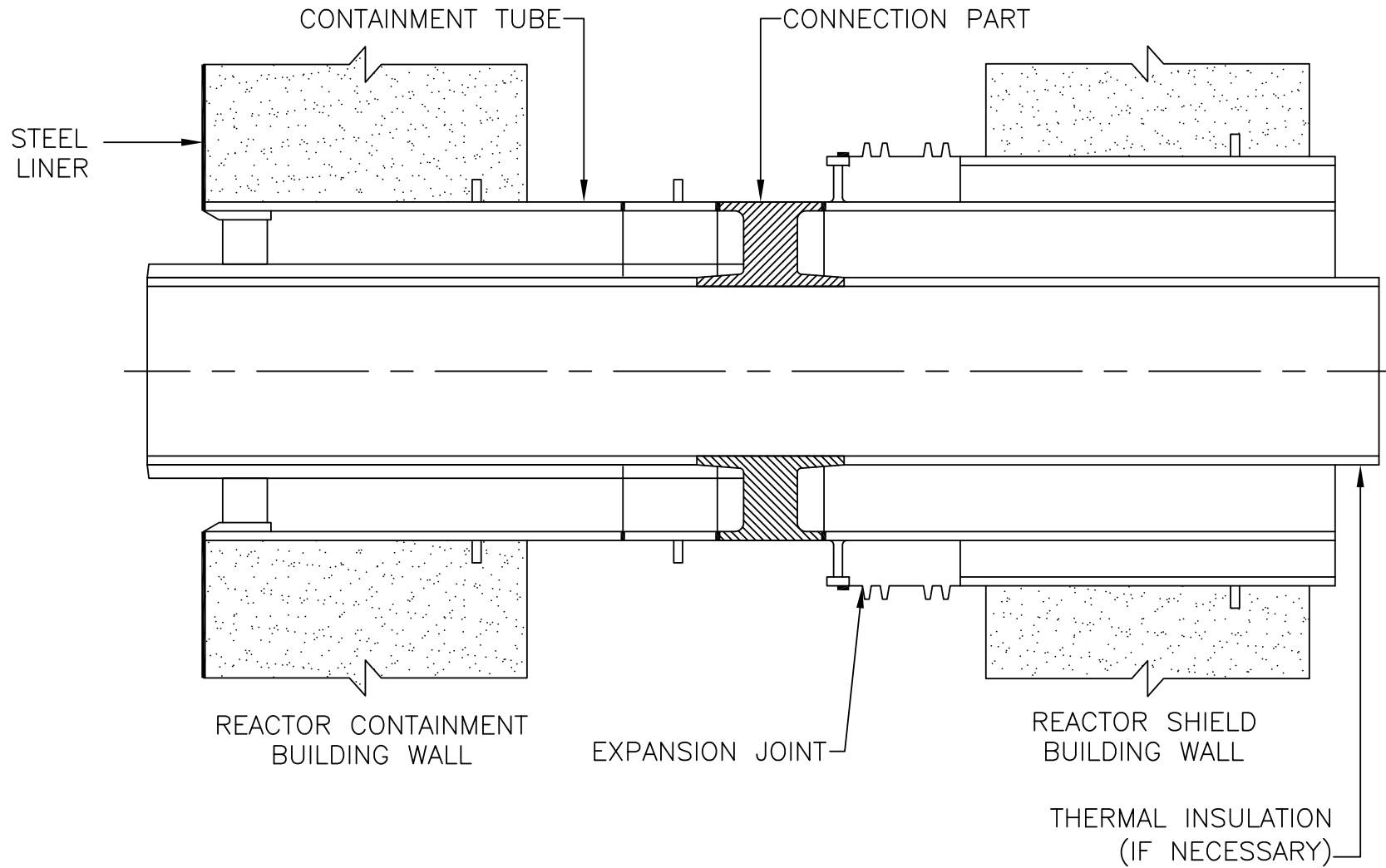
Figure 3.8-27—Containment Penetration for Feedwater Pipe



DIMENSIONS ARE FOR INFORMATION ONLY

REV 002
UJA006 T2

Figure 3.8-28—Containment Penetrations for High Energy Pipes



UJA003 T2

Figure 3.8-29—Containment Standard Piping Penetrations – Single Pipe

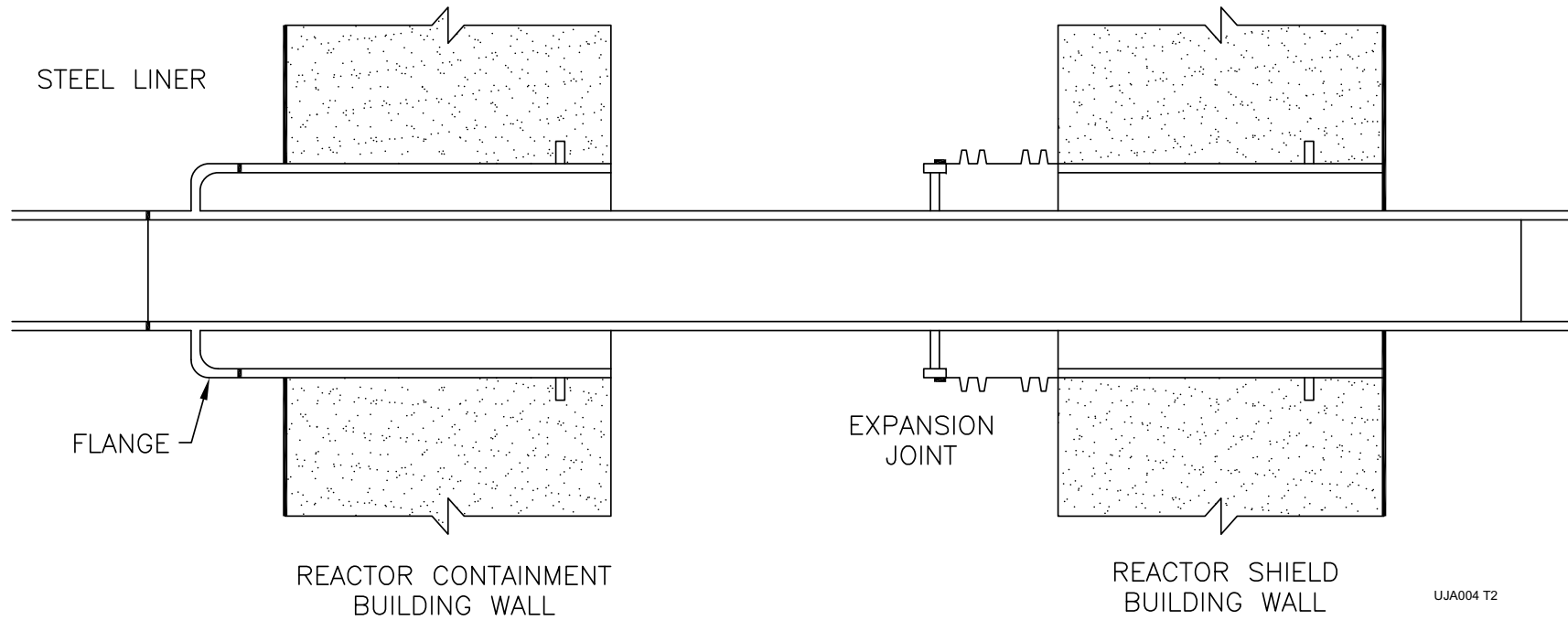


Figure 3.8-30—Containment Standard Piping Penetrations – Multiple Pipes

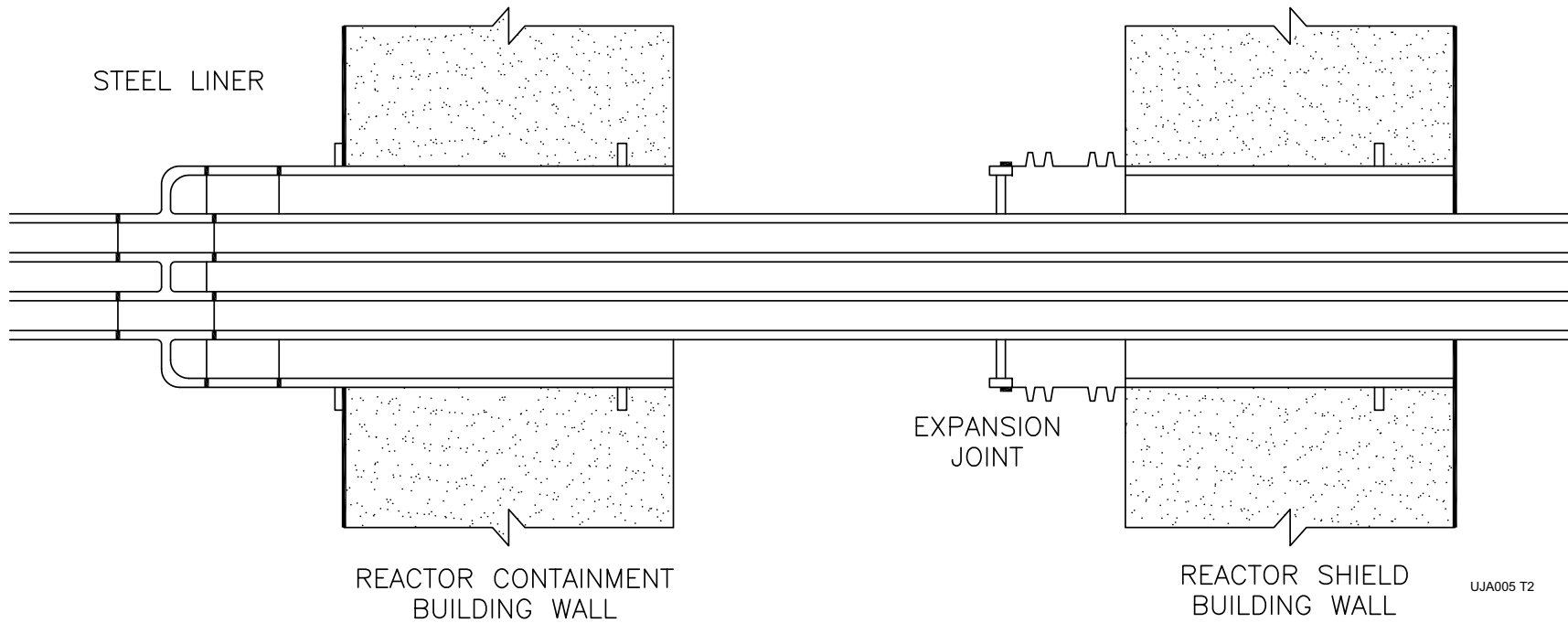
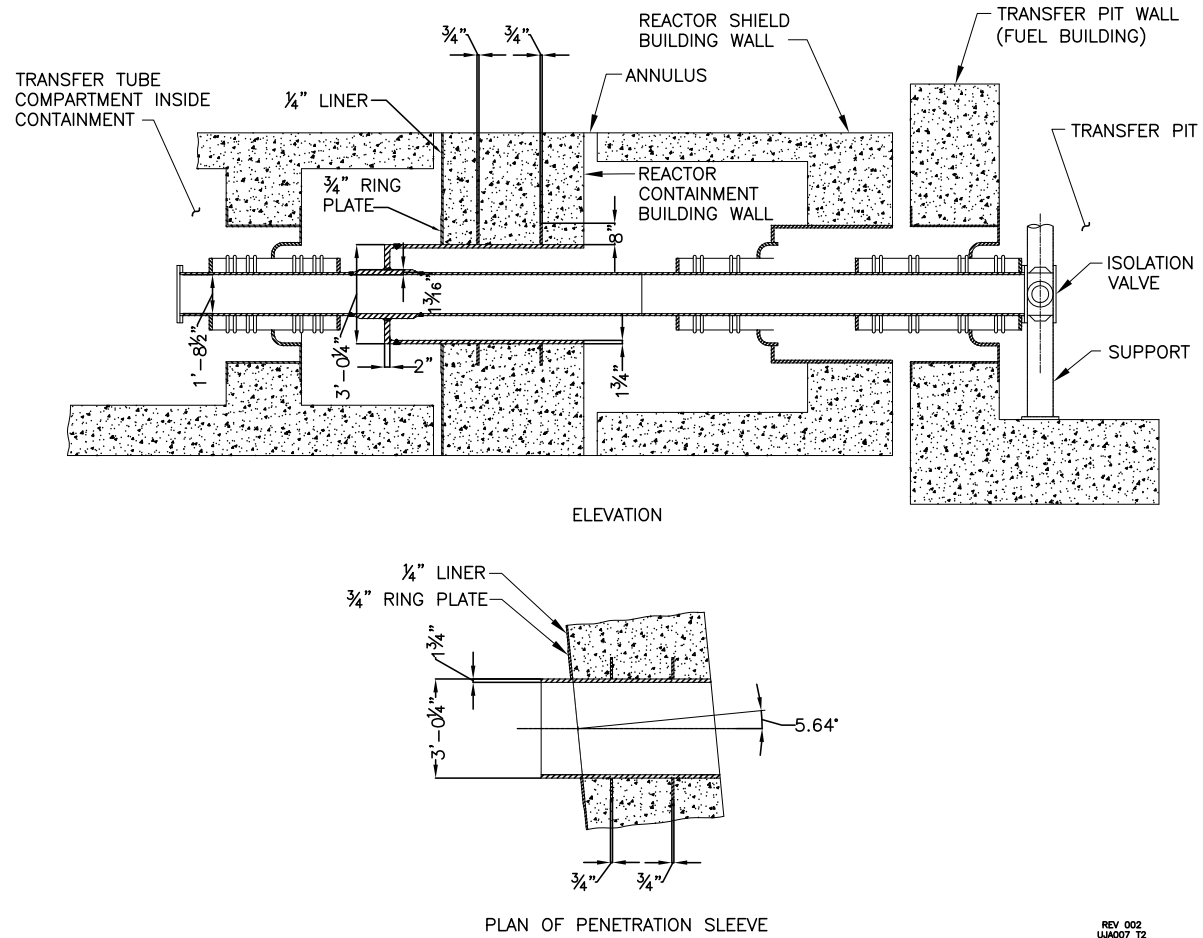


Figure 3.8-31—Fuel Transfer Tube Penetration (Conceptual View)



REV 002
UJ4007 T2

DIMENSIONS ARE FOR INFORMATION ONLY

Figure 3.8-32—Reactor Building Internal Structures ANSYS Model

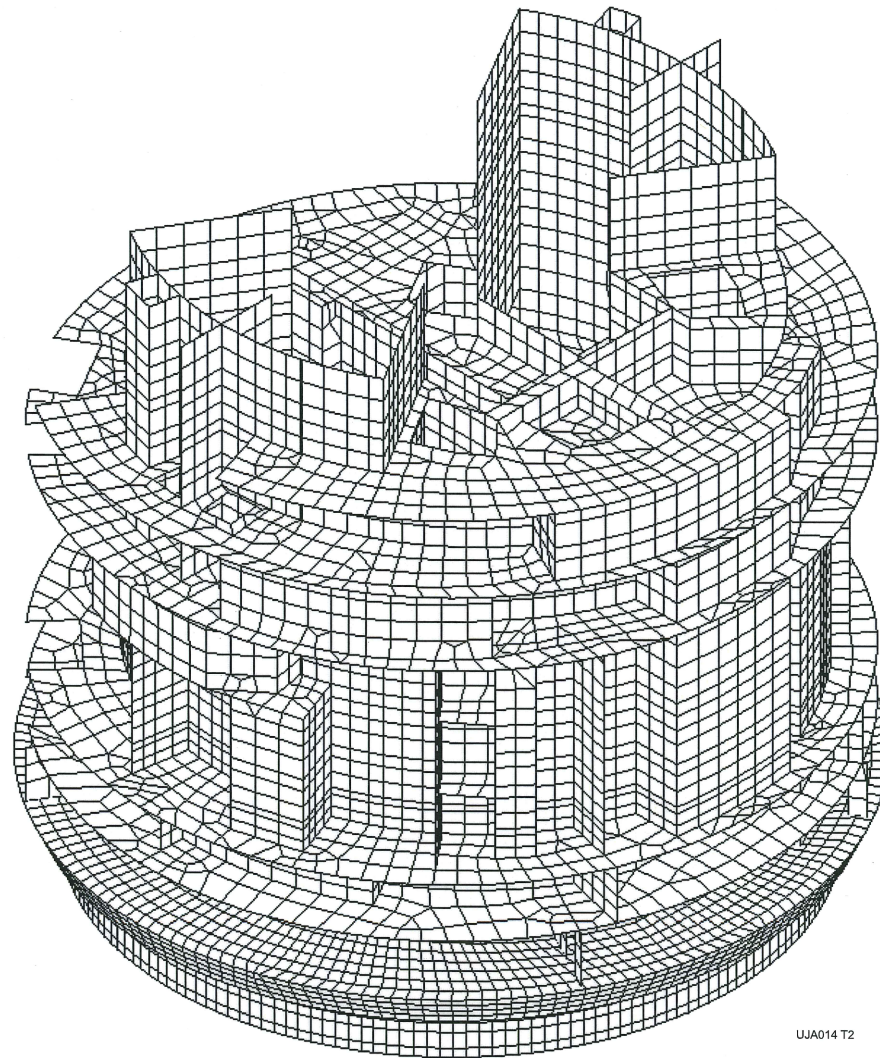


Figure 3.8-33—Reactor Building Internal Structures ANSYS Model – Section through Center of Building Looking West

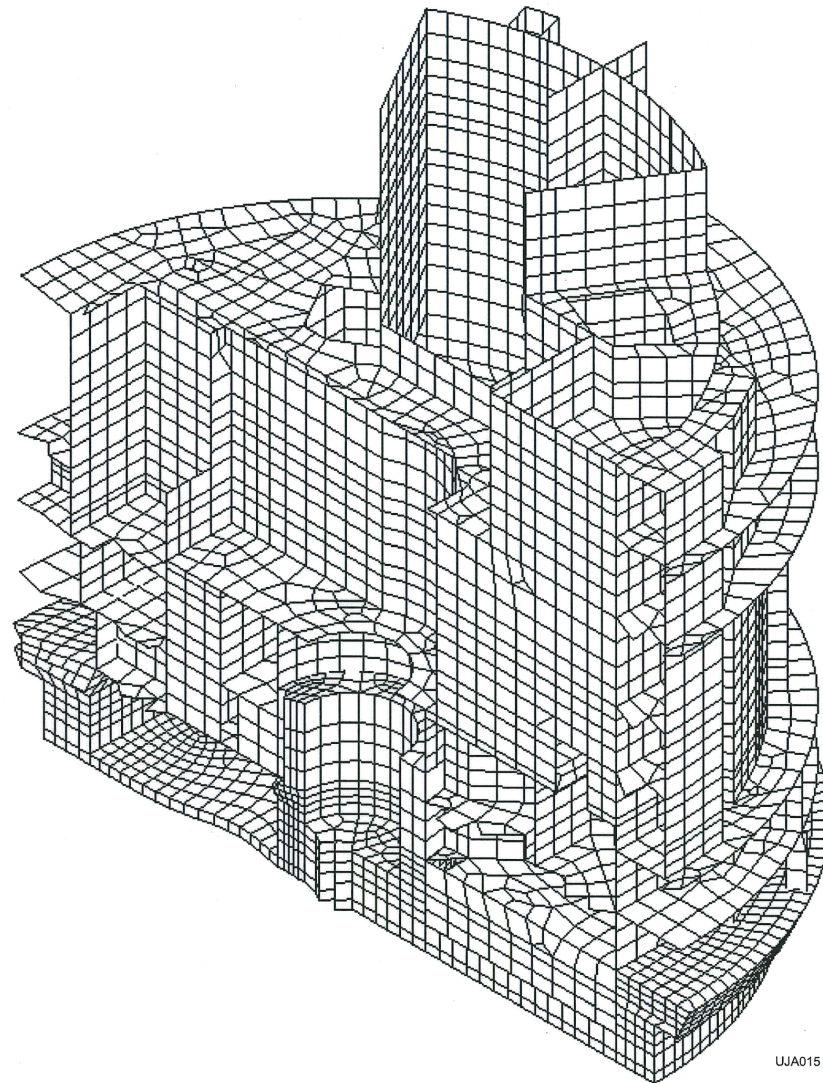


Figure 3.8-34—Reactor Building Internal Structures ANSYS Model – Section through Reactor Cavity and Refueling Canal

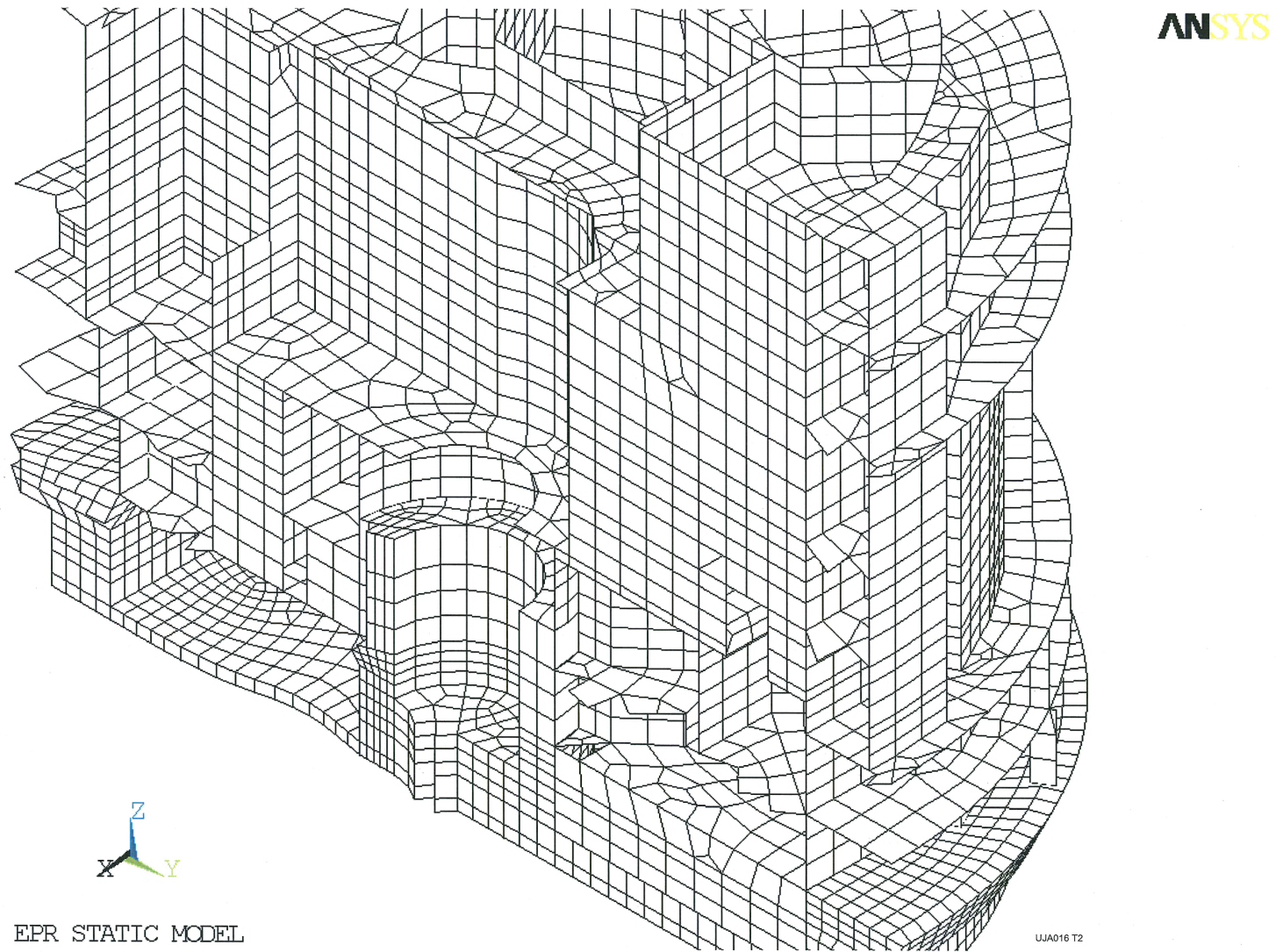


Figure 3.8-35—Reactor Building Internal Structures ANSYS Model – Section through Center of Building Looking North

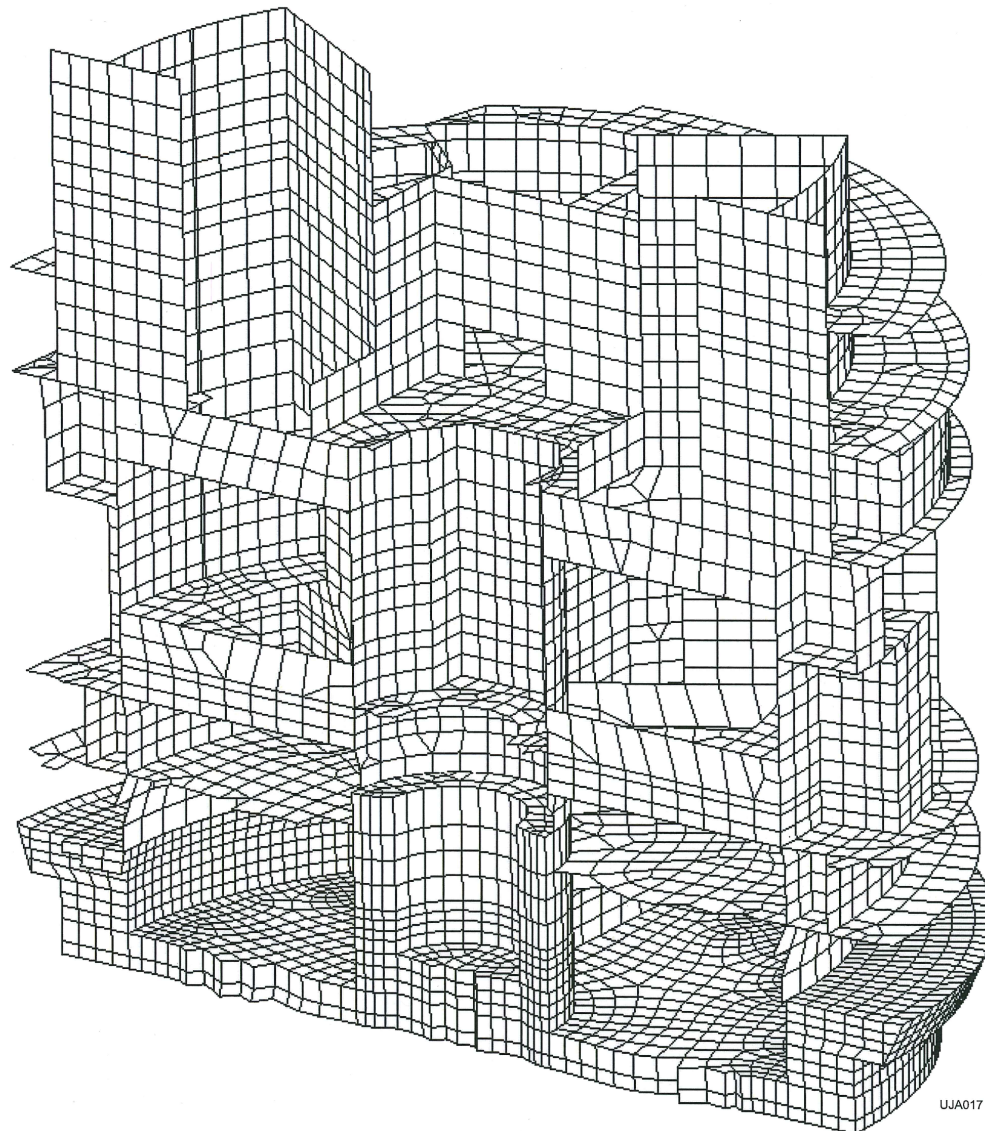


Figure 3.8-36—Reactor Building Internal Structures ANSYS Model – Section through Center of Building Looking Northwest

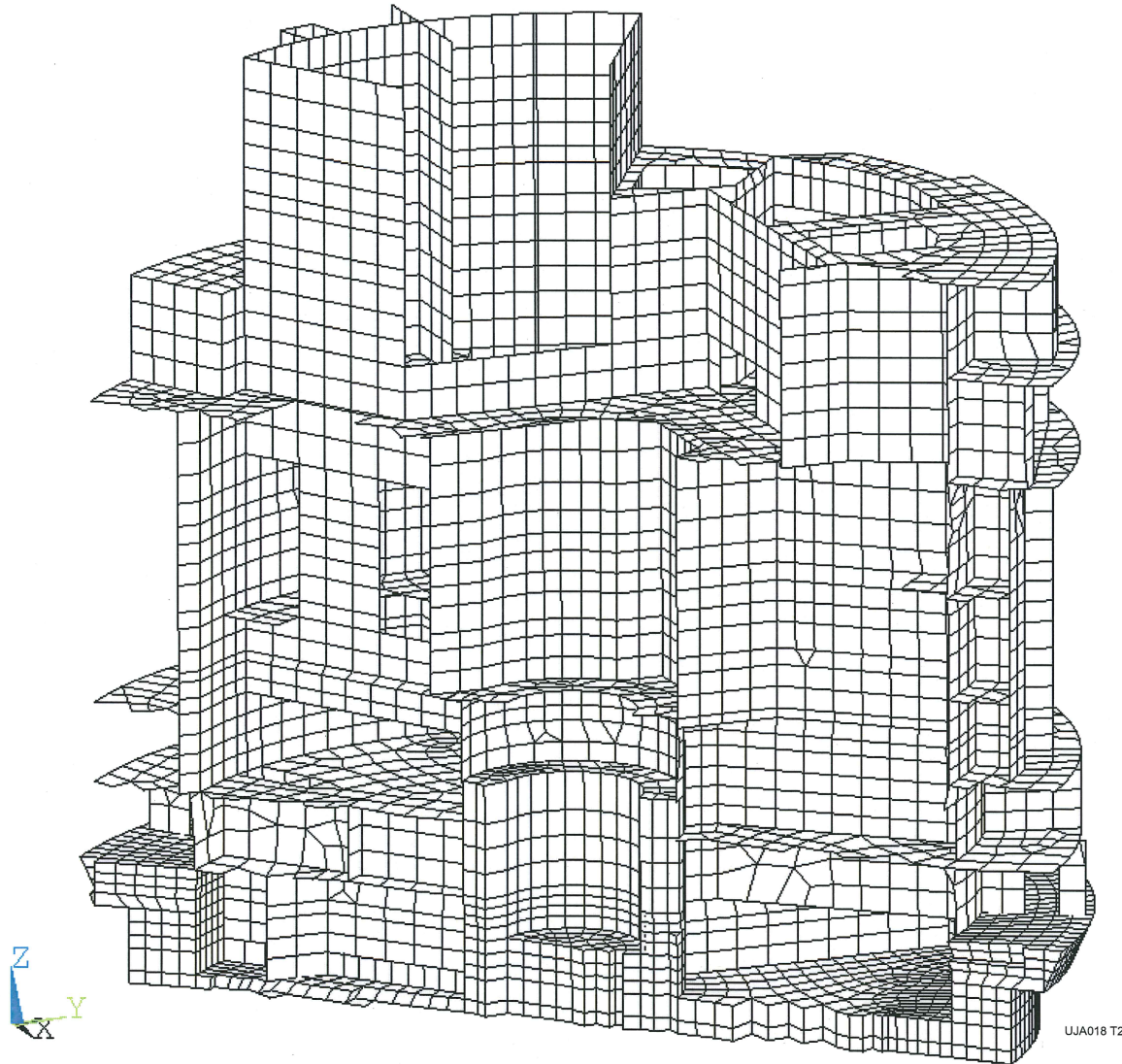
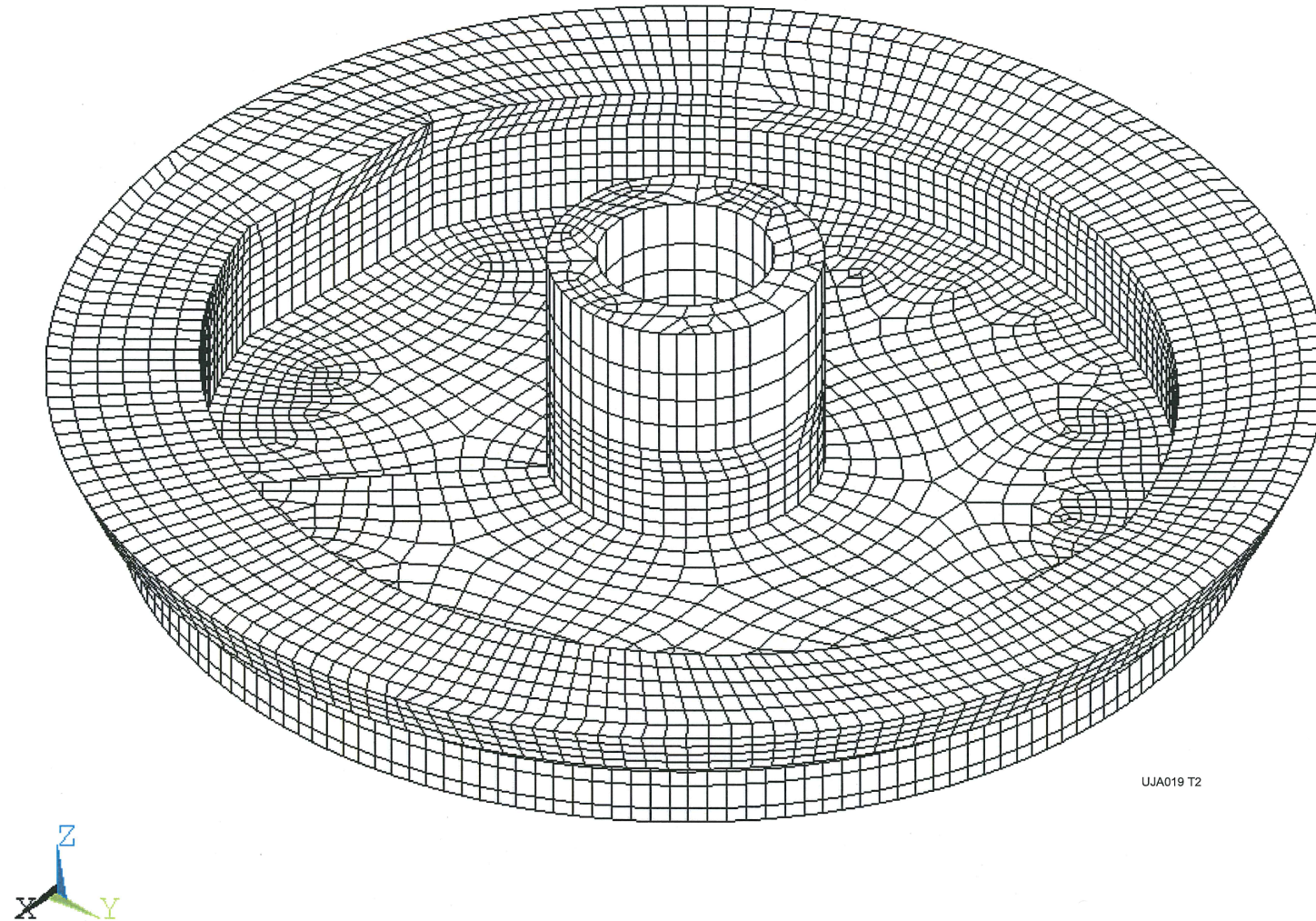


Figure 3.8-37—Reactor Building Internal Structures ANSYS Model – View of IRWST and Internal Structures Basemat



[Next File](#)