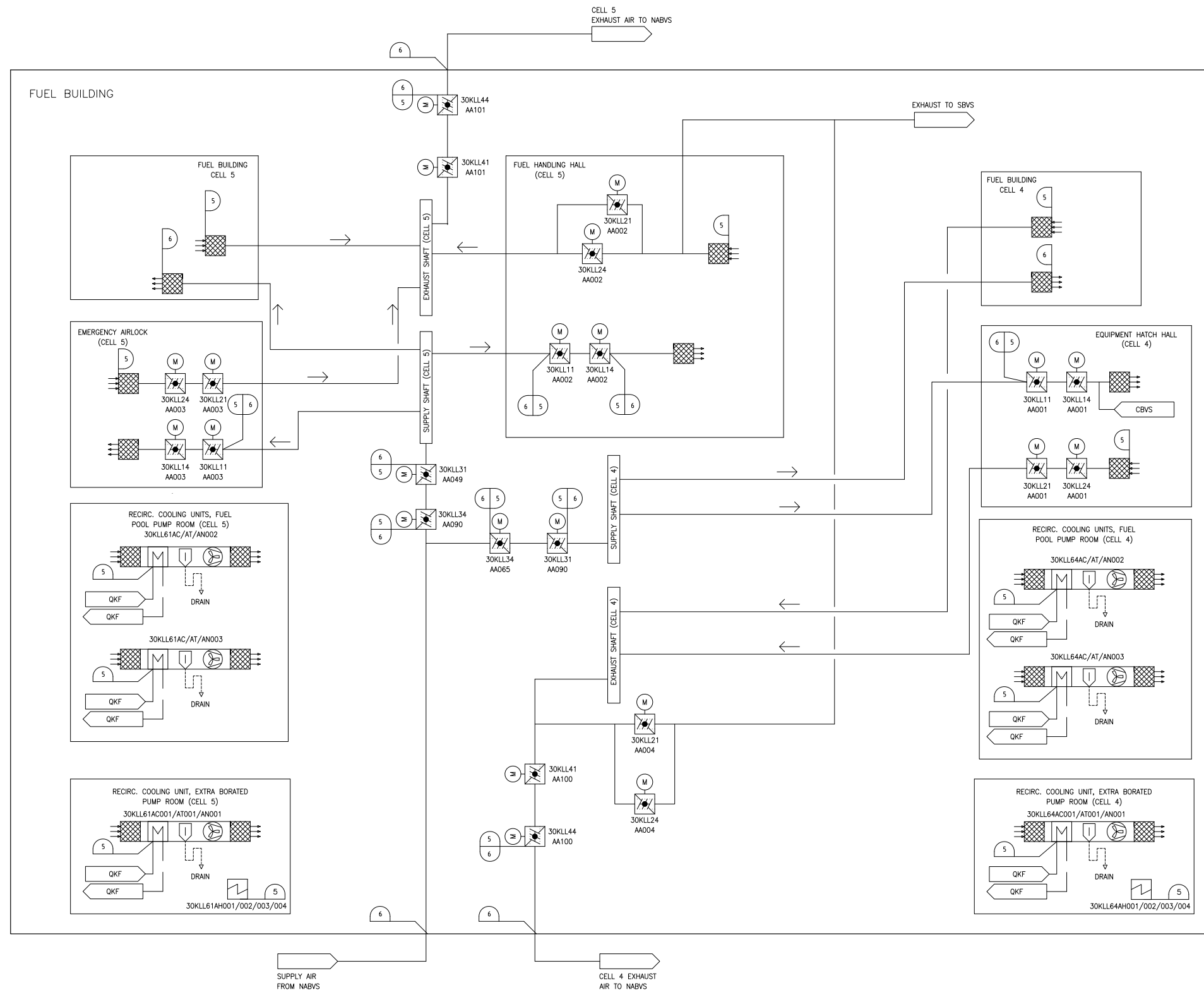


Figure 2.6.4-1—Fuel Building Ventilation System Functional Arrangement



REV 002  
KLL01T1