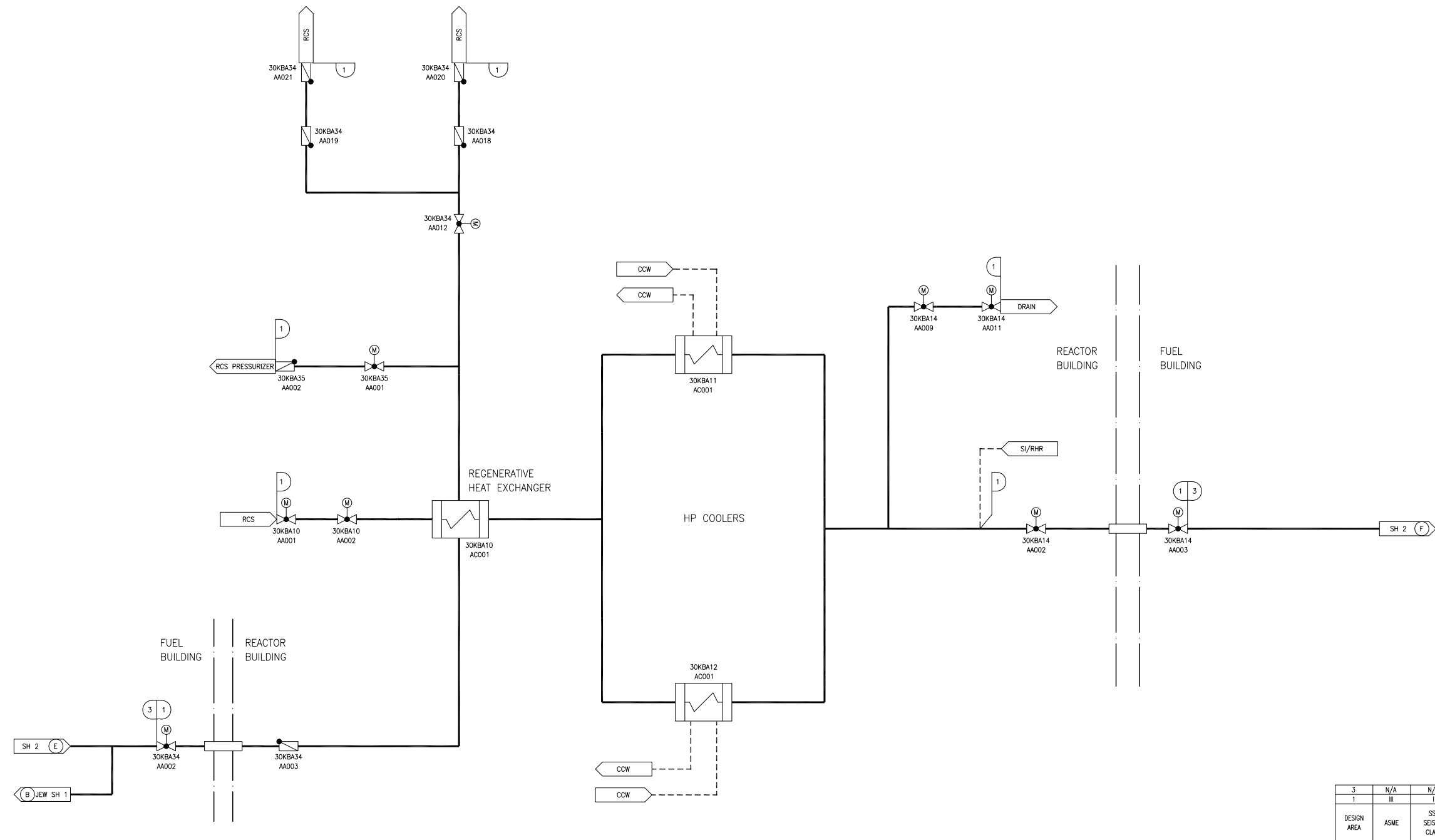
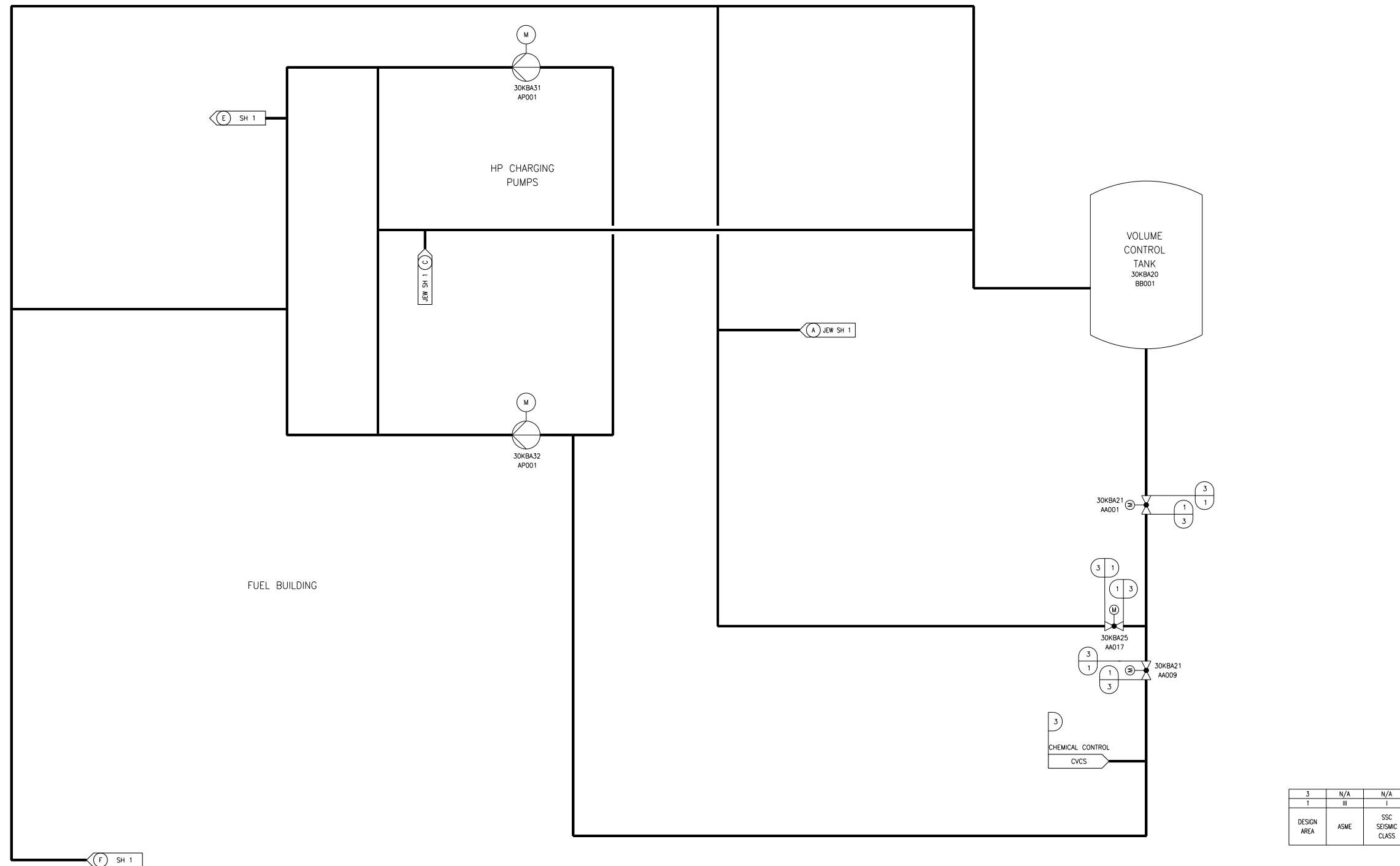


Figure 2.2.6-1—Chemical and Volume Control System Functional Arrangement  
Sheet 1 of 3



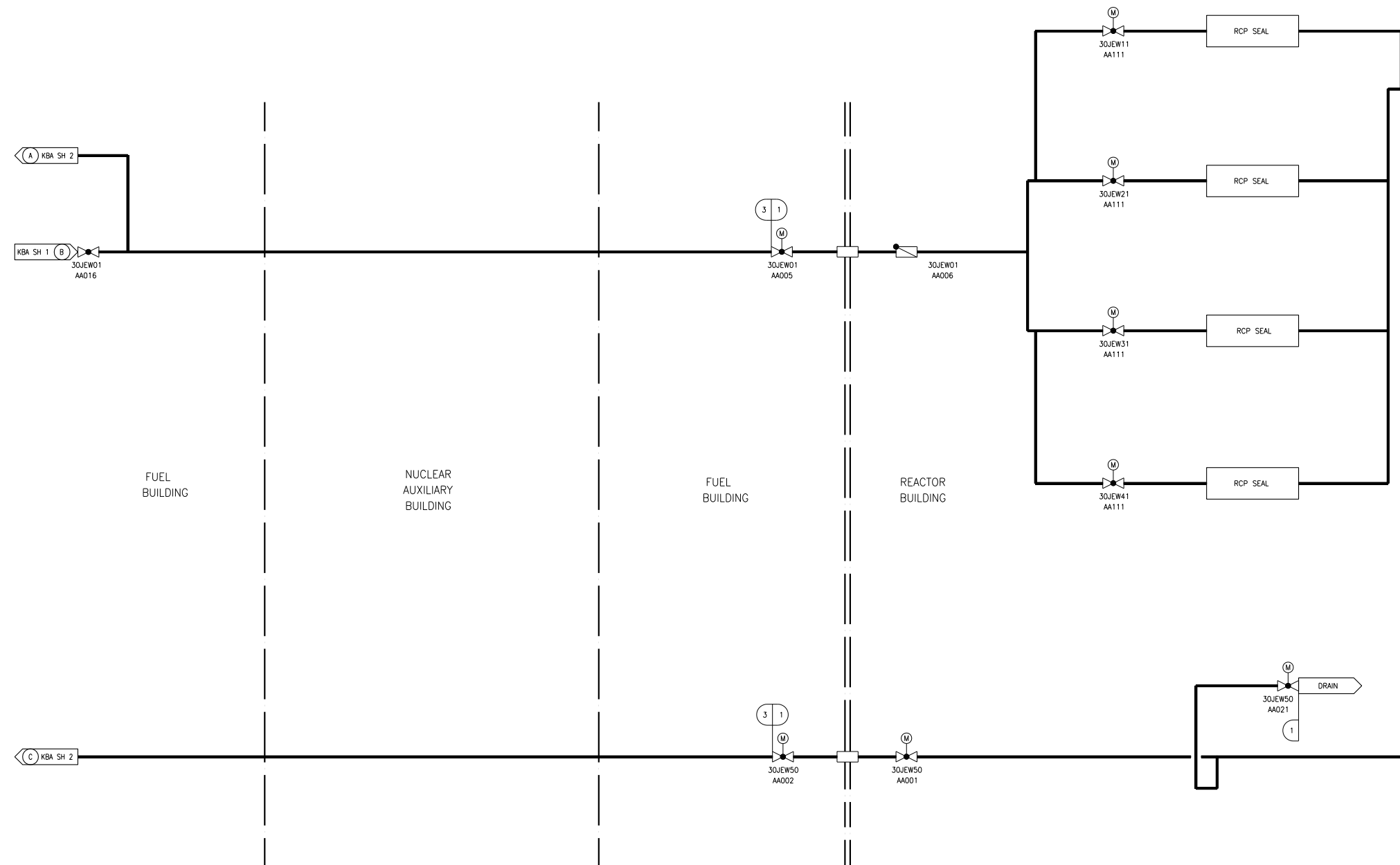
REV 002  
KBA01T1

Figure 2.2.6-1—Chemical and Volume Control System Functional Arrangement  
Sheet 2 of 3



KBA02T1

Figure 2.2.6-1—Chemical and Volume Control System Functional Arrangement  
Sheet 3 of 3



3	N/A	N/A
1	III	I
DESIGN AREA	ASME	SSC SEISMIC CLASS

JEW01T1