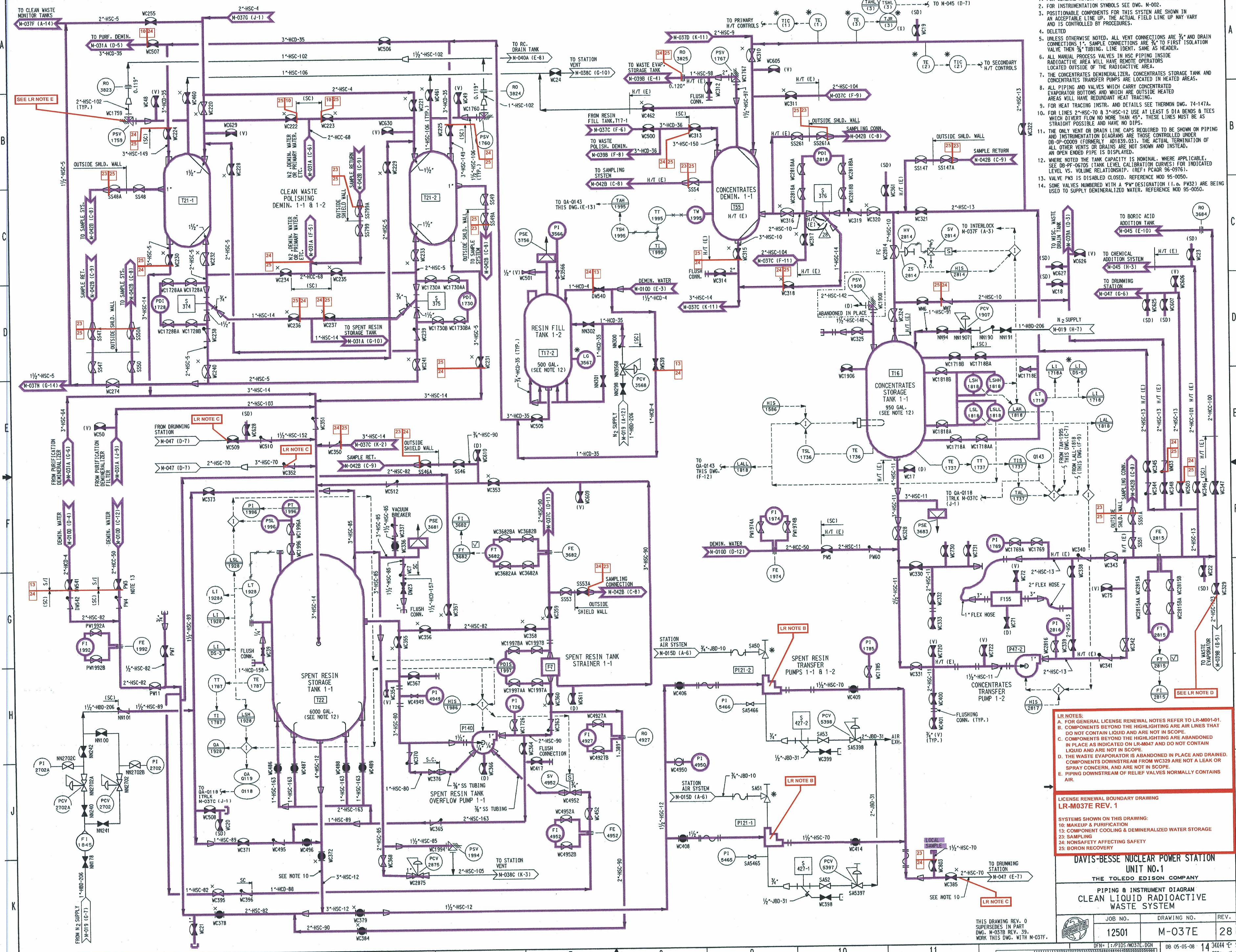


- NOTES:
- FOR GENERAL NOTES, PIPING SYMBOLS AND P & B INDEX SEE DWG. M-001.
 - FOR INSTRUMENTATION SYMBOLS SEE DWG. M-002.
 - POSITIONABLE COMPONENTS FOR THIS SYSTEM ARE SHOWN IN AN ACCEPTABLE LINE UP. THE ACTUAL FIELD LINE UP MAY VARY AND IS CONTROLLED BY PROCEDURES.
 - DELETED.
 - UNLESS OTHERWISE NOTED, ALL VENT CONNECTIONS ARE 3/4" AND DRAIN CONNECTIONS 1". SAMPLE CONNECTIONS ARE 3/4" TO FIRST ISOLATION VALVE THEN 3/8" TUBING. LINE IDENT. SAME AS HEADER.
 - ALL MANUAL PROCESS VALVES IN HSC PIPING INSIDE RADIOACTIVE AREA WILL HAVE REMOTE OPERATORS LOCATED OUTSIDE OF THE RADIOACTIVE AREA.
 - THE CONCENTRATES DEMINERALIZER, CONCENTRATES STORAGE TANK AND CONCENTRATES TRANSFER PUMPS ARE LOCATED IN HEATED AREAS.
 - ALL PIPING AND VALVES WHICH CARRY CONCENTRATED EVAPORATOR BOTTOMS AND WHICH ARE OUTSIDE HEATED AREAS WILL HAVE REDUNDANT HEAT TRACING.
 - FOR HEAT TRACING INSTR. AND DETAILS SEE THERMO 74-147A.
 - FOR LINES 2"-HSC-70 & 3"-HSC-12 USE AT LEAST 5 DIA BENS & TEES WHICH DIVERT FLOW AT MORE THAN 45°. THESE LINES MUST BE AS STRAIGHT AS POSSIBLE AND HAVE NO DIPPS.
 - THE ONLY VENT OR DRAIN LINE CAPS REQUIRED TO BE SHOWN ON PIPING AND INSTRUMENTATION DIAGRAMS ARE THOSE CONTROLLED UNDER DB-PF-06705 (FORMERLY ADI 639-031). THE ACTUAL TERMINATION OF ALL OTHER VENTS OR DRAINS ARE NOT SHOWN AND INSTEAD, AN OPEN ENDED PIPE IS DISPLAYED.
 - WHERE NOTED THE TANK CAPACITY IS NOMINAL. WHERE APPLICABLE, SEE DB-PF-06705 (TANK LEVEL CALIBRATION CURVES) FOR INDICATED LEVEL VS. VOLUME RELATIONSHIP. (REF. PCDAR 98-0376).
 - VALVE PMS IS DISABLED CLOSED. REFERENCE MOD 95-0050.
 - SOME VALVES NUMERED WITH A "PV" DESIGNATION (I.E. PV32) ARE BEING USED TO SUPPLY DEMINERALIZED WATER. REFERENCE MOD 95-0050.



LR NOTES:

- FOR GENERAL LICENSE RENEWAL NOTES REFER TO LR-M001-01.
- COMPONENTS BEYOND THE HIGHLIGHTING ARE AIR LINES THAT DO NOT CONTAIN LIQUID AND ARE NOT IN SCOPE.
- COMPONENTS BEYOND THE HIGHLIGHTING ARE ABANDONED IN PLACE AS INDICATED ON LR-M047 AND DO NOT CONTAIN LIQUID AND ARE NOT IN SCOPE.
- THE WASTE EVAPORATOR IS ABANDONED IN PLACE AND DRAINED. COMPONENTS DOWNSTREAM FROM WC329 ARE NOT A LEAK OR SPRAY CONCERN, AND ARE NOT IN SCOPE.
- PIPING DOWNSTREAM OF RELIEF VALVES NORMALLY CONTAINS AIR.

LICENSE RENEWAL BOUNDARY DRAWING
LR-M037E REV. 1

SYSTEMS SHOWN ON THIS DRAWING:
10: MAKEUP & PURIFICATION
13: COMPONENT COOLING & DEMINERALIZED WATER STORAGE
23: SAMPLING
24: NONSAFETY AFFECTING SAFETY
25: BORON RECOVERY

DAVIS-BESSE NUCLEAR POWER STATION
UNIT NO. 1
THE TOLEDO EDISON COMPANY
PIPING & INSTRUMENT DIAGRAM
CLEAN LIQUID RADIOACTIVE
WASTE SYSTEM

JOB NO.	DRAWING NO.	REV.
12501	M-037E	28

THIS DRAWING REV. 0 SUPERSEDES IN PART DWG. M-037E REV. 39. WORK THIS DWG. WITH M-037F.

D-59 01259