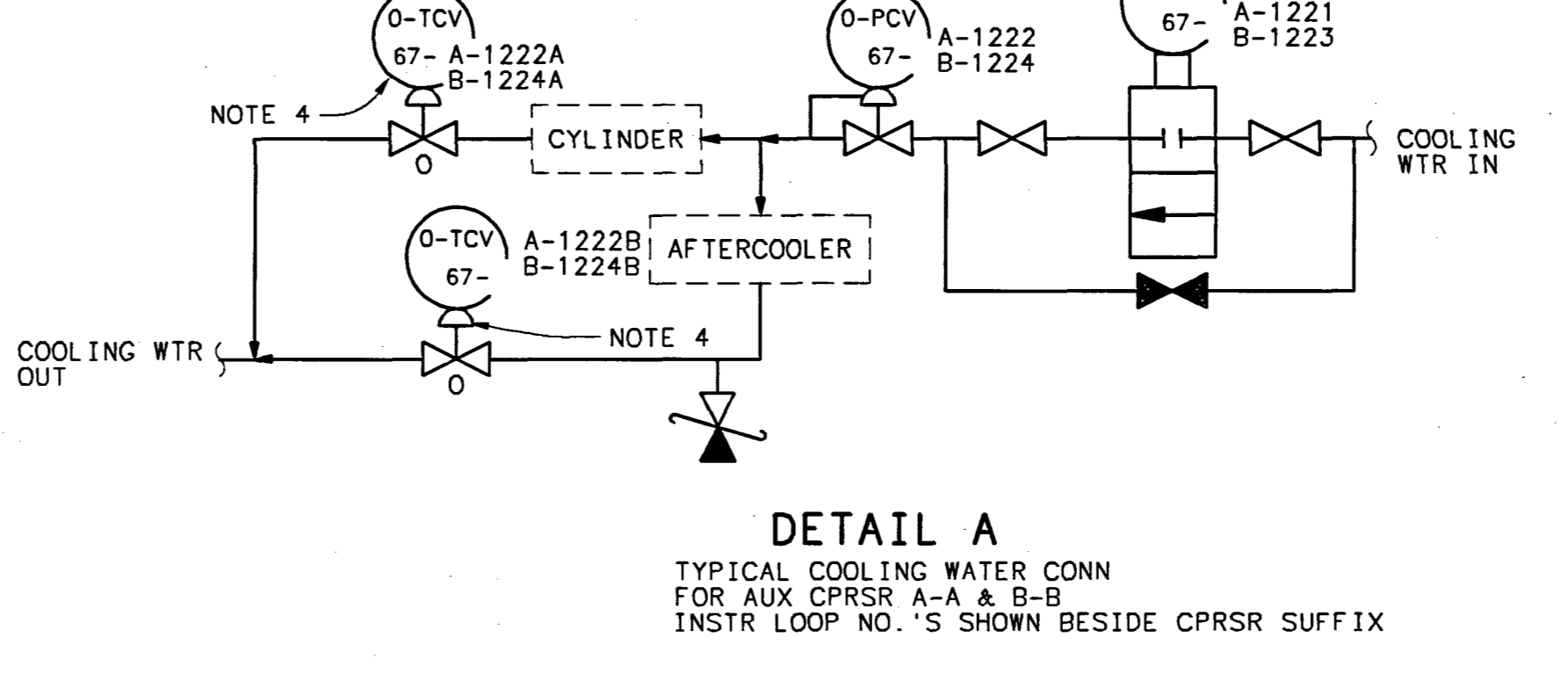


- NOTES:
1. FOR GENERAL NOTES SEE 47W610-32-1.
 2. AUXILIARY CONTROL AIR RECEIVERS ARE CHARGED BY PRIMARY COMPRESSORS LOCATED IN TURBINE BLDG. IF RECEIVED PRESSURE FALLS BELOW SETPOINT, THE AUXILIARY COMPRESSORS ARE STARTED.
 3. IF CONTROL AIR HEADER PRESSURE FALLS BELOW SETPOINT, THE AUXILIARY SYSTEM IS ISOLATED BY FCV-32-82 AND FDV-32-85.
 4. THESE VALVES ARE SELF-CONTAINED THERMOSTAT TYPE.
 5. SOME CID# ON THIS DRAWING HAVE BEEN CHANGED AND MAY DIFFER FROM THE CID# SHOWN ON THE OTHER DOCUMENTS FOR THE SAME COMPONENT. THE ALTERNATE ID# SHOWN (A11) IN EWS CAN BE ACCESSED AS NECESSARY TO DETERMINE IF PREVIOUS CID# EXISTED FOR A PREVIOUS COMPONENT. REFER TO TABLE A1 FOR DIGITAL COMPUTER POINTS (POWER AVAILABLE, SWITCH POSITION, ETC.).
 - 6.

THIS CONFIGURATION CONTROL DRAWING SUPERSEDES UNIT 1 AS-CONSTRUCTED DRAWING 47W610-32-2 REVISION G.

19	ADMIN	GJB	JEW	12-10-08
REVISED TO CORRECT DISCREPANCIES IDENTIFIED BY PER 155562 (T71 081209 803).				
REV	CHANGE REF	PREPARER	CHECKER	APPROVED DATE
SCALE: NTS				EXCEPT AS NOTED
PROJECT FACILITY POWERHOUSE UNITS 1 & 2				
TITLE ELECTRICAL CONTROL DIAGRAM CONTROL AIR SYSTEM				
1	WATTS BAR NUCLEAR PLANT TENNESSEE VALLEY AUTHORITY			Q
DESIGN		INITIAL ISSUE		ENGINEERING APPROVAL
DRAFTER C.N. CLABOUGH	CHECKER K.E. PHILLIPS	RO ISSUE PER WBEP 5.17 & RIMS B26 '89 1220 376 DCN P-06658-A		1 W.H. DENNEY
DESIGNER M.L. CHAPMAN	REVIEWER J.F. EDWARDS			2 W.H. DENNEY
DATE 1-9-90		85	E	3 M.C. BRICKEY
ISSUED BY: R.M. JOHNSON FOR PRM		DATE 1-47W610-32-2		R19



FSAR FIG. NO. 9.3-2