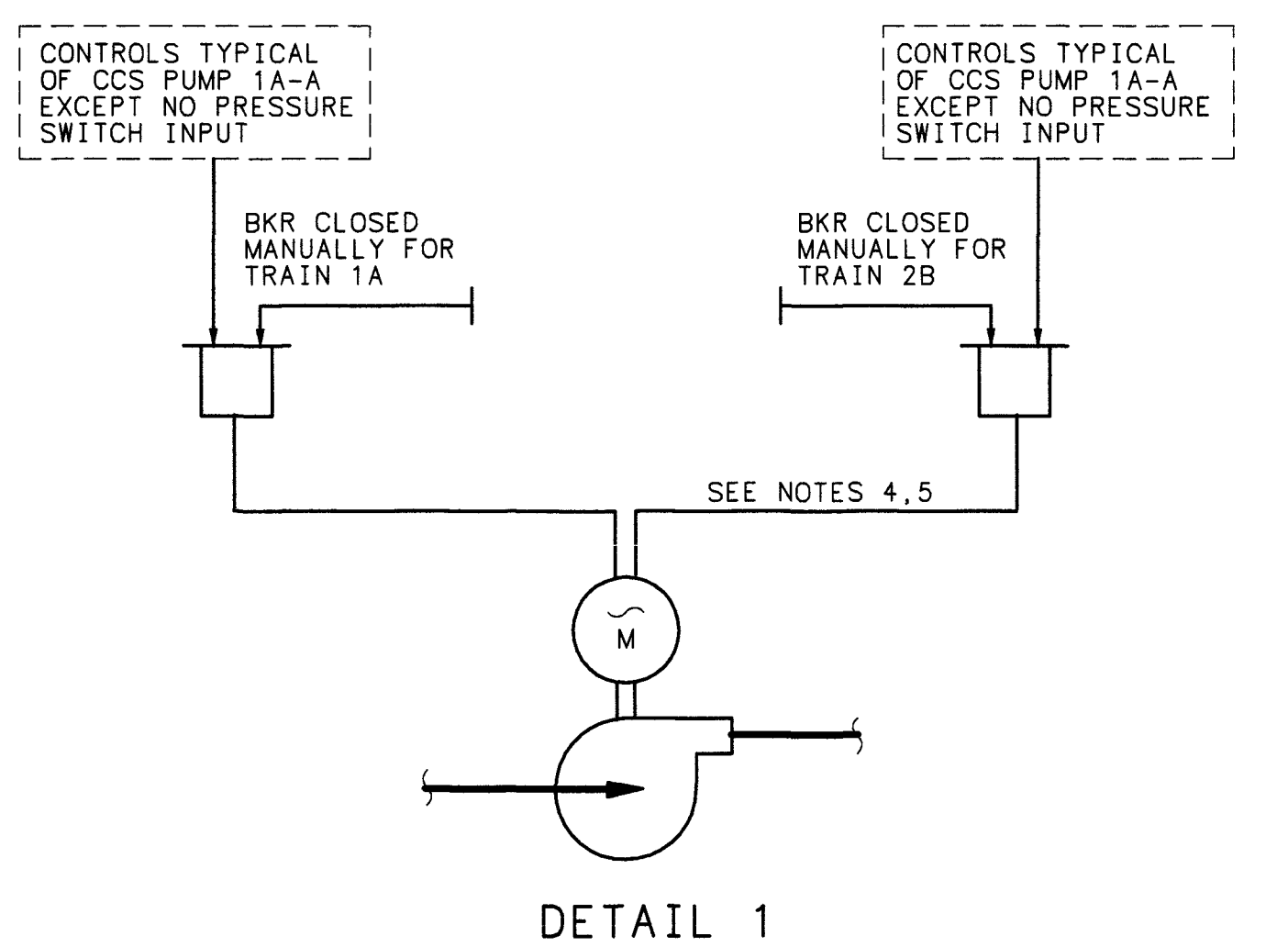


REFERENCE DRAWINGS:
 1-47W611-0-1-----LOGIC DIAGRAM INDEX & SYMBOLS
 1-47W610-70 SERIES-----CONTROL DIAGRAM
 47W601-70 SERIES-----INSTRUMENT TABULATION
 1-47W659-1, 2-----FLOW DIAGRAM



- NOTES:
- FOR SYMBOLS OTHER THAN THOSE NOTED ABOVE SEE INSTRUMENTATION AND IDENTIFICATION STANDARDS, LATEST ISSUE.
 - FOR COMPLETE INSTRUMENTATION AND COMPONENT SEPARATION DESIGNATIONS SEE CONTROL DIAGRAM, 47W610-70 SERIES.
 - LOGIC SHOWN FOR UNIT 1, TYPICAL FOR UNIT 2 EXCEPT AS NOTED.
 - POWERED BY TRAIN 2B NORMALLY.
 - C-S PUMP WILL START ON SAFETY INJECTION SIGNAL FROM UNIT 1 ONLY. UNIT 2 SIGNAL TO UNIT 2 PUMPS 2A-A AND 2B-B ARE DISABLED. (12) & (12) DENOTE UNIT 1 AND UNIT 2 INTERFACE POINTS.
 - 'DIGITAL AND ANALOG LOGIC SYMBOLS ARE USED ON LOGIC DIAGRAMS TO FUNCTIONALLY DESCRIBE THE PROCESS CONTROL REFER TO THE ASSOCIATED WIRING SCHEMATIC FOR THE ELECTRICAL COMPONENTS USED TO IMPLEMENT THE CONTROL SCHEME.'
 - VALVES 1-FCV-70-26, 1-FCV-70-27, 1-FCV-70-64, 1-FCV-70-74, 2-FCV-70-28, 2-FCV-70-29, 2-FCV-70-76 AND 2-FCV-70-78 ARE ADMINISTRATIVELY LOCKED IN THE CLOSED POSITION, (WITH BREAKER OPEN) (APPENDIX R)
 - THE HEADER 2A LOW PRESSURE AUTO START SIGNAL IS DISCONNECTED FROM PUMP 2B-B.
 - SOME CIDs ON THIS DRAWING HAVE BEEN CHANGED AND MAY DIFFER FROM THE CIDs SHOWN ON OTHER DOCUMENTS FOR THE SAME COMPONENT. THE ALTERNATE ID SCREEN (A11) IN EMS CAN BE ACCESSED AS NECESSARY TO DETERMINE IF PREVIOUS CIDs EXISTED FOR A SPECIFIC COMPONENT.
 - HANDSWITCH HAS BEEN DISCONNECTED. SWITCH TO BE RECONNECTED FOR TESTING ONLY.

COMPANION DRAWINGS:
 1-47W611-70-2, 3, 4-----LOGIC DIAGRAM

9	ADMIN	DLO	GJB	D 7 7	12-24-02
REVISED TO CORRECT DISCREPANCIES IDENTIFIED BY DD 02-0063 (171 021223 800). DELETED SYSTEM BOUNDARIES.					
REV	CHANGE REF	PREPARER	CHECKER	APPROVED	DATE
SCALE: NTS EXCEPT AS NOTED					
PROJECT FACILITY POWERHOUSE 1 & 2					
TITLE ELECTRICAL LOGIC DIAGRAM COMPONENT COOLING SYSTEM					
1	WATTS BAR NUCLEAR PLANT TENNESSEE VALLEY AUTHORITY				Q
DESIGN		INITIAL ISSUE		ENGINEERING APPROVAL	
DRAFTER J.A. TALLEY	CHECKER FRANK LAYFIELD	RO ISSUE PER EAT-3.10 & RIMS T28 '92 0114 803		1 GARY BARNARD	
DESIGNER GARY BARNARD		REVIEWER R.L. FORESTER		2 C.A. ATKINS	
DATE 1-23-92		85	E	1-47W611-70-1 R9	

COMPONENT COOLING PUMPS FSAR FIG; 9.2-23