

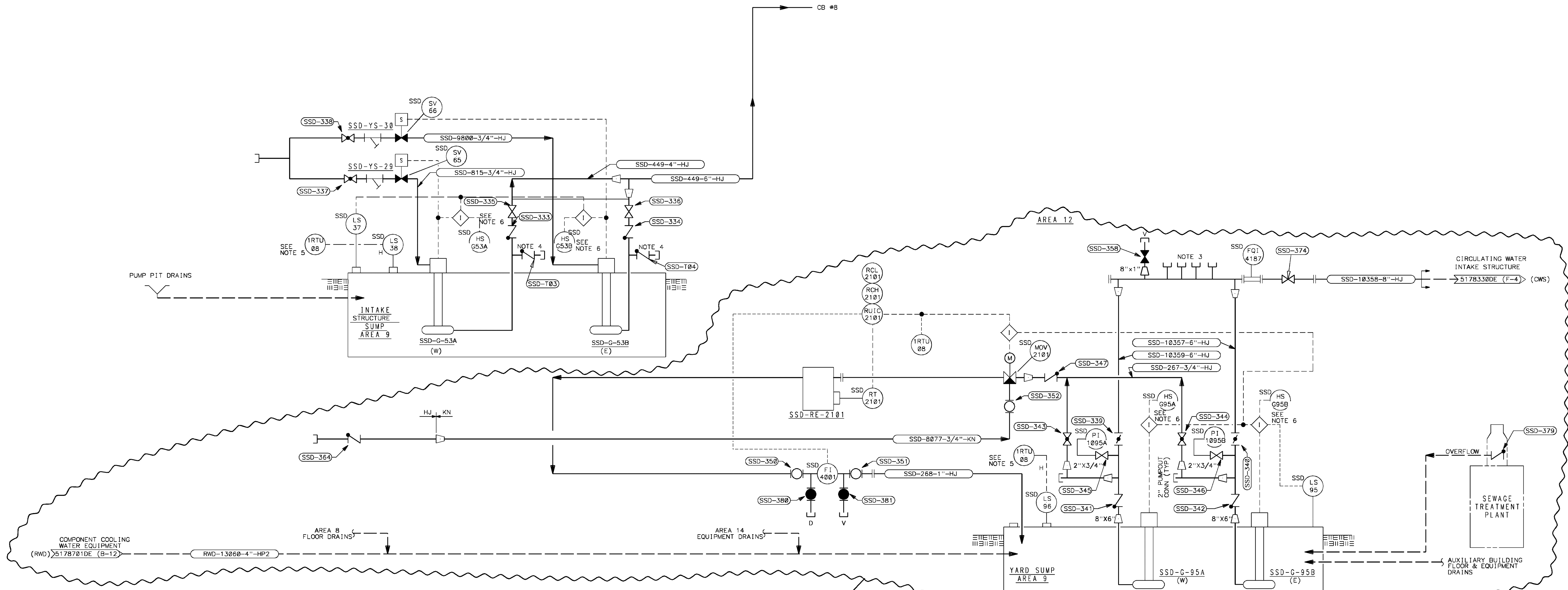
SSD-G-53A & G-53B  
INTAKE STRUCTURE  
SUMP PUMPS

SSD-RE-2101  
SAMPLER RADIATION MONITORING SKID

SSD-G-95A & G-95B  
YARD SUMP PUMPS

DELETE

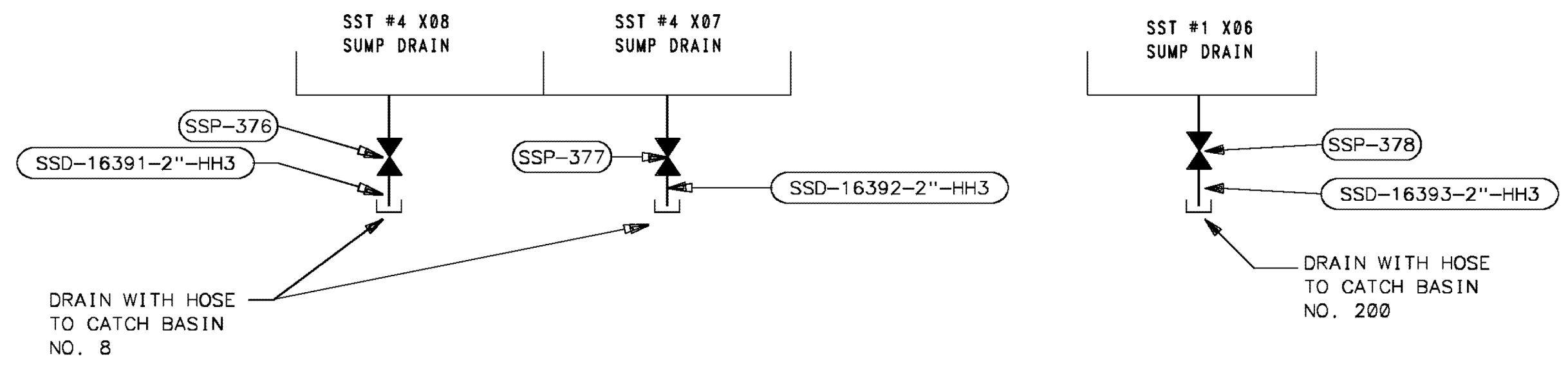
DELETE



DELETE FROM DRAWING AFTER TURN OVER

DELETE

- NOTES:
1. (NOT USED)
  2. DASHED LINES INDICATE EMBEDDED OR UNDERGROUND PIPE
  3. (NOT USED)
  4. 4" HOSE CONNECTION WITH CAP.
  5. THE RTU TRANSMITS SIGNALS OVER A WIDE AREA NETWORK TO THE CONTROL ROOM FOR FURTHER PROCESSING OF ALARMS, INDICATORS AND RECORDINGS.
  6. EXISTING LOCAL SWITCH IS BEING REUSED AND RETAGGED.
  7. 3/4" STAINLESS STEEL TUBING AND FITTINGS ARE AN ACCEPTABLE EQUIVALENT FOR ALL RADIATION MONITOR SKID PIPING. REFERENCE 900004 CLASS TS1 AND U1-M-2302 FOR MATERIAL SELECTION.



M REVIEW	DCMS STATUS = APRV JANUARY 6, 2006 14:56	ENGINEERING CHANGE (ECN) A36071	NOTES	ENGINEERING CHANGE NOTICE ECP 05040185-1 REV. 0 IF SUPERSEDED ARE THE ORIGINAL ECP ASSESSMENTS IMPACTED? YES [ ] NO [X] PREPARED BY/DATE (ORIGINATOR) ARMOUR RAY 1/9/2006 APPROVAL REQUIRED FOR THE ECP QUALITY CONTROL DEBOI KRISTI 1/10/2006 VERIFIED BY/DATE (CHECKING) BARONE VINCENT 1/10/2006 APPROVED BY/DATE (PLS)	QC NSRAQ UNIT 1 SAN ONOFRE NUCLEAR GENERATING STATION DECOMMISSIONING P & I DIAGRAM SECONDARY STATION SUMPS & DRAINS SH 2
				DRAWING NUMBER DESCRIPTION REFERENCES	APPROVAL DATE (ECN) A36071 SOUTHERN CALIFORNIA EDISON Scale: DRAWN BY: NGUYEN, L.

ENGINEERING CHANGE (ECN) A36071

5178711DE

REV 2