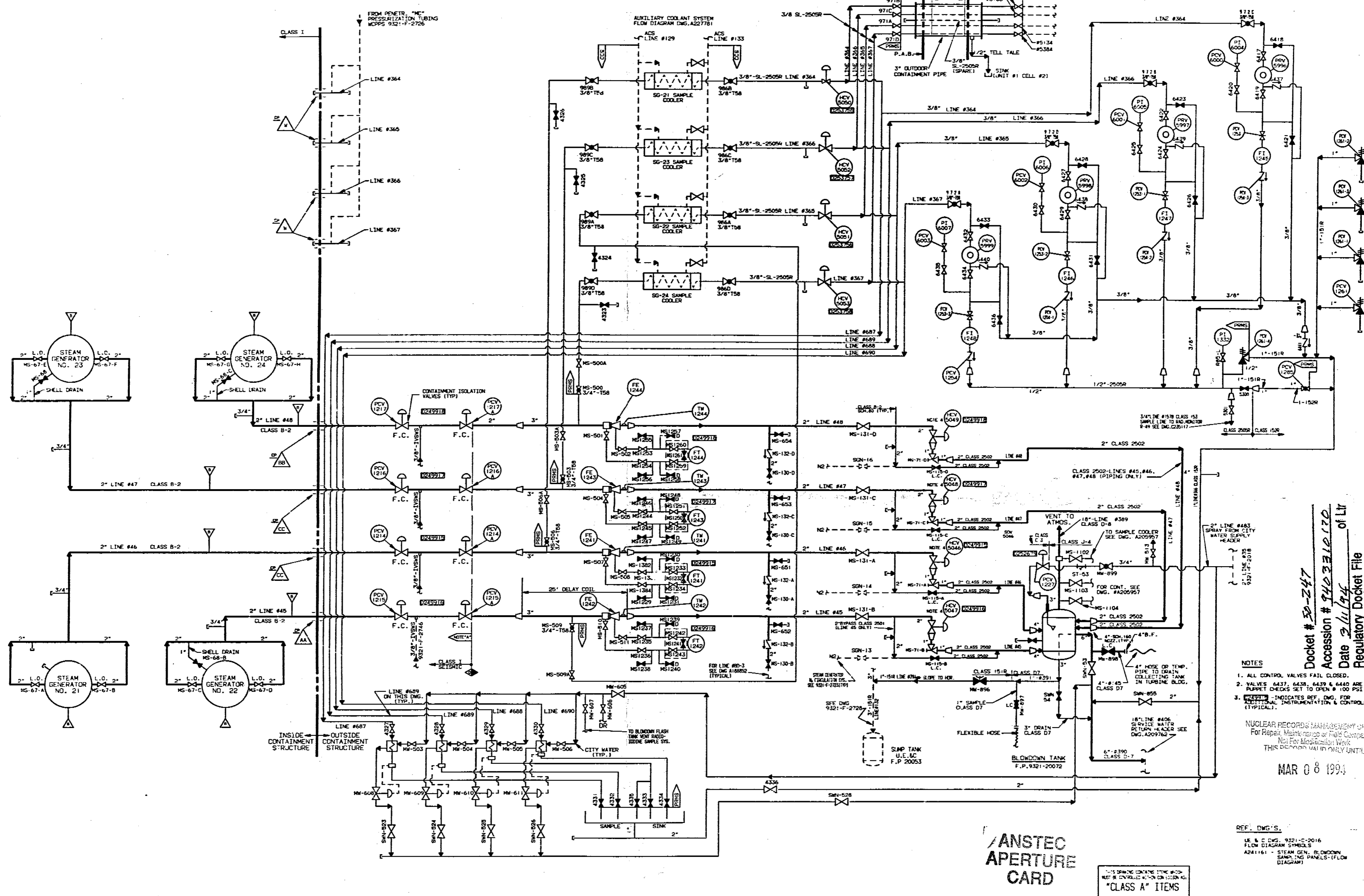


9321-F-2729



- NOTES
1. ALL CONTROL VALVES FAIL CLOSED.
 2. VALVES 6437, 6438, 6439 & 6440 ARE PUPPET CHECKS SET TO OPEN @ 100 PSI.
 3. [Symbol] INDICATES REF. DWG. FOR MECHANICAL INSTRUMENTATION & CONTROLS (TYPICAL).

NUCLEAR RECORDS MANAGEMENT CENTER
 For Repair, Maintenance or Make Comparison
 Not For Modification Work
 THIS RECORD VALID ONLY UNTIL

MAR 08 1994

Docket # 52-247
 Accession # 940312.170 of 117
 Date 2/11/94
 Regulatory Docket File

ANSTEC
 APERTURE
 CARD

"CLASS A" ITEMS
 PER CI-240-1

COMPUTER GENERATED DRAWING NOT TO BE HAND REVISED

DESIGNED BY M. CAPUTO 11/02/90 023	ISSUED BY P.A. GUNN 11/02/90 023	DATE 11/02/90	SCALE AS SHOWN	PROJECT STEAM GENERATOR BLOWDOWN & BLOWDOWN SAMPLE SYSTEM	STATION INDIAN POINT
APPROVED BY S.G.E.D.	DATE 11/02/90	SCALE AS SHOWN	PROJECT STEAM GENERATOR BLOWDOWN & BLOWDOWN SAMPLE SYSTEM	STATION INDIAN POINT	DWG. NO. 9321-F-2729-48