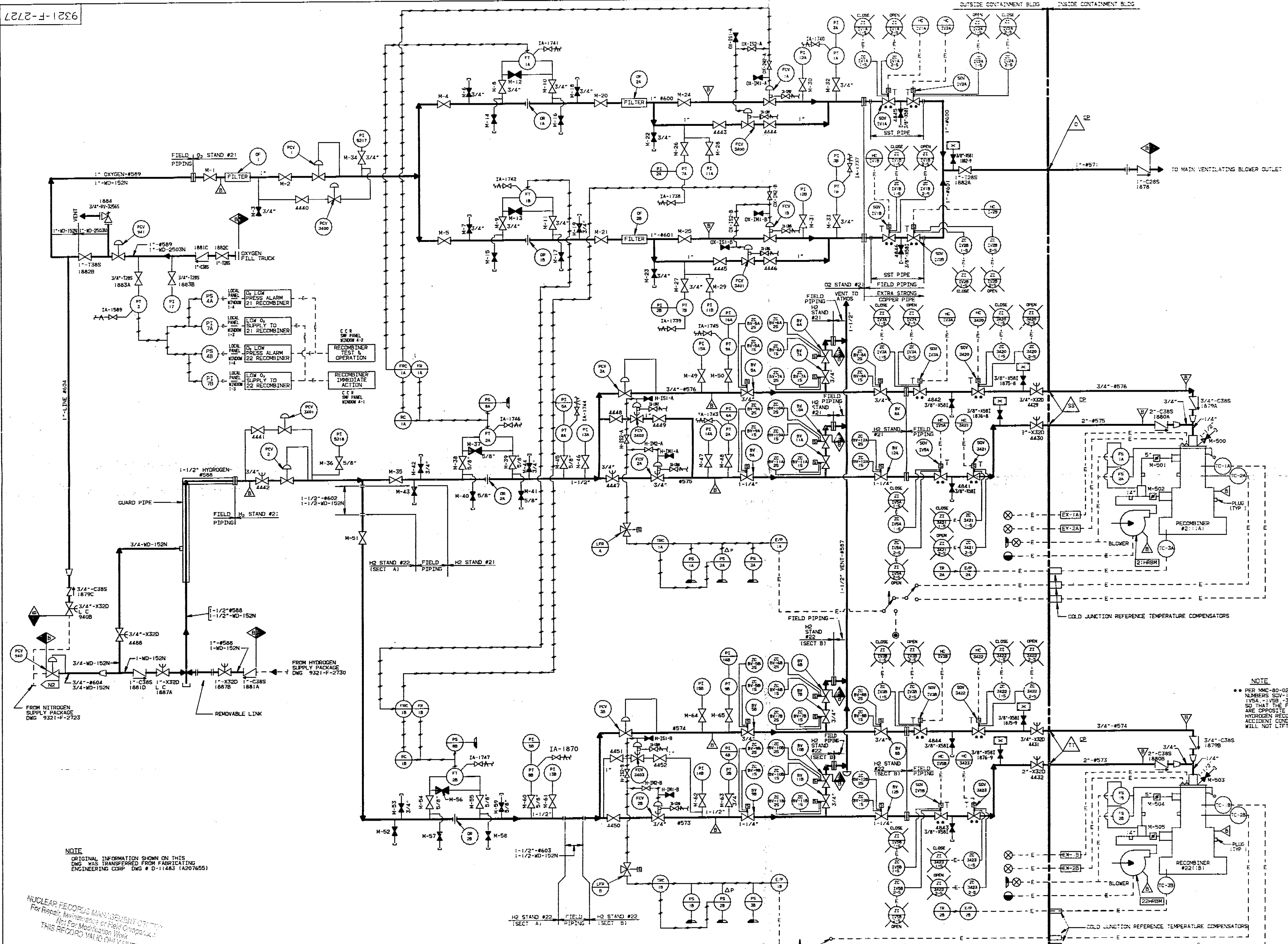


9321-F-2727



NOTE
 • PER NRC-80-09-13 TWELVE SOLENOID OPERATED VALVES, NUMBERS 3420-111A, 112A, 111B, 112B, 112C, 112D, 112E, 112F, 112G, 112H, 112I, 112J, 112K, 112L, 112M, 112N, 112O, 112P, 112Q, 112R, 112S, 112T, 112U, 112V, 112W, 112X, 112Y, 112Z, 112AA, 112AB, 112AC, 112AD, 112AE, 112AF, 112AG, 112AH, 112AI, 112AJ, 112AK, 112AL, 112AM, 112AN, 112AO, 112AP, 112AQ, 112AR, 112AS, 112AT, 112AU, 112AV, 112AW, 112AX, 112AY, 112AZ, 112BA, 112BB, 112BC, 112BD, 112BE, 112BF, 112BG, 112BH, 112BI, 112BJ, 112BK, 112BL, 112BM, 112BN, 112BO, 112BP, 112BQ, 112BR, 112BS, 112BT, 112BU, 112BV, 112BW, 112BX, 112BY, 112BZ, 112CA, 112CB, 112CC, 112CD, 112CE, 112CF, 112CG, 112CH, 112CI, 112CJ, 112CK, 112CL, 112CM, 112CN, 112CO, 112CP, 112CQ, 112CR, 112CS, 112CT, 112CU, 112CV, 112CW, 112CX, 112CY, 112CZ, 112DA, 112DB, 112DC, 112DD, 112DE, 112DF, 112DG, 112DH, 112DI, 112DJ, 112DK, 112DL, 112DM, 112DN, 112DO, 112DP, 112DQ, 112DR, 112DS, 112DT, 112DU, 112DV, 112DW, 112DX, 112DY, 112DZ, 112EA, 112EB, 112EC, 112ED, 112EE, 112EF, 112EG, 112EH, 112EI, 112EJ, 112EK, 112EL, 112EM, 112EN, 112EO, 112EP, 112EQ, 112ER, 112ES, 112ET, 112EU, 112EV, 112EW, 112EX, 112EY, 112EZ, 112FA, 112FB, 112FC, 112FD, 112FE, 112FF, 112FG, 112FH, 112FI, 112FJ, 112FK, 112FL, 112FM, 112FN, 112FO, 112FP, 112FQ, 112FR, 112FS, 112FT, 112FU, 112FV, 112FW, 112FX, 112FY, 112FZ, 112GA, 112GB, 112GC, 112GD, 112GE, 112GF, 112GG, 112GH, 112GI, 112GJ, 112GK, 112GL, 112GM, 112GN, 112GO, 112GP, 112GQ, 112GR, 112GS, 112GT, 112GU, 112GV, 112GW, 112GX, 112GY, 112GZ, 112HA, 112HB, 112HC, 112HD, 112HE, 112HF, 112HG, 112HH, 112HI, 112HJ, 112HK, 112HL, 112HM, 112HN, 112HO, 112HP, 112HQ, 112HR, 112HS, 112HT, 112HU, 112HV, 112HW, 112HX, 112HY, 112HZ, 112IA, 112IB, 112IC, 112ID, 112IE, 112IF, 112IG, 112IH, 112II, 112IJ, 112IK, 112IL, 112IM, 112IN, 112IO, 112IP, 112IQ, 112IR, 112IS, 112IT, 112IU, 112IV, 112IW, 112IX, 112IY, 112IZ, 112JA, 112JB, 112JC, 112JD, 112JE, 112JF, 112JG, 112JH, 112JI, 112JJ, 112JK, 112JL, 112JM, 112JN, 112JO, 112JP, 112JQ, 112JR, 112JS, 112JT, 112JU, 112JV, 112JW, 112JX, 112JY, 112JZ, 112KA, 112KB, 112KC, 112KD, 112KE, 112KF, 112KG, 112KH, 112KI, 112KJ, 112KK, 112KL, 112KM, 112KN, 112KO, 112KP, 112KQ, 112KR, 112KS, 112KT, 112KU, 112KV, 112KW, 112KX, 112KY, 112KZ, 112LA, 112LB, 112LC, 112LD, 112LE, 112LF, 112LG, 112LH, 112LI, 112LJ, 112LK, 112LL, 112LM, 112LN, 112LO, 112LP, 112LQ, 112LR, 112LS, 112LT, 112LU, 112LV, 112LW, 112LX, 112LY, 112LZ, 112MA, 112MB, 112MC, 112MD, 112ME, 112MF, 112MG, 112MH, 112MI, 112MJ, 112MK, 112ML, 112MM, 112MN, 112MO, 112MP, 112MQ, 112MR, 112MS, 112MT, 112MU, 112MV, 112MW, 112MX, 112MY, 112MZ, 112NA, 112NB, 112NC, 112ND, 112NE, 112NF, 112NG, 112NH, 112NI, 112NJ, 112NK, 112NL, 112NM, 112NN, 112NO, 112NP, 112NQ, 112NR, 112NS, 112NT, 112NU, 112NV, 112NW, 112NX, 112NY, 112NZ, 112OA, 112OB, 112OC, 112OD, 112OE, 112OF, 112OG, 112OH, 112OI, 112OJ, 112OK, 112OL, 112OM, 112ON, 112OO, 112OP, 112OQ, 112OR, 112OS, 112OT, 112OU, 112OV, 112OW, 112OX, 112OY, 112OZ, 112PA, 112PB, 112PC, 112PD, 112PE, 112PF, 112PG, 112PH, 112PI, 112PJ, 112PK, 112PL, 112PM, 112PN, 112PO, 112PP, 112PQ, 112PR, 112PS, 112PT, 112PU, 112PV, 112PW, 112PX, 112PY, 112PZ, 112QA, 112QB, 112QC, 112QD, 112QE, 112QF, 112QG, 112QH, 112QI, 112QJ, 112QK, 112QL, 112QM, 112QN, 112QO, 112QP, 112QQ, 112QR, 112QS, 112QT, 112QU, 112QV, 112QW, 112QX, 112QY, 112QZ, 112RA, 112RB, 112RC, 112RD, 112RE, 112RF, 112RG, 112RH, 112RI, 112RJ, 112RK, 112RL, 112RM, 112RN, 112RO, 112RP, 112RQ, 112RR, 112RS, 112RT, 112RU, 112RV, 112RW, 112RX, 112RY, 112RZ, 112SA, 112SB, 112SC, 112SD, 112SE, 112SF, 112SG, 112SH, 112SI, 112SJ, 112SK, 112SL, 112SM, 112SN, 112SO, 112SP, 112SQ, 112SR, 112SS, 112ST, 112SU, 112SV, 112SW, 112SX, 112SY, 112SZ, 112TA, 112TB, 112TC, 112TD, 112TE, 112TF, 112TG, 112TH, 112TI, 112TJ, 112TK, 112TL, 112TM, 112TN, 112TO, 112TP, 112TQ, 112TR, 112TS, 112TT, 112TU, 112TV, 112TW, 112TX, 112TY, 112TZ, 112UA, 112UB, 112UC, 112UD, 112UE, 112UF, 112UG, 112UH, 112UI, 112UJ, 112UK, 112UL, 112UM, 112UN, 112UO, 112UP, 112UQ, 112UR, 112US, 112UT, 112UU, 112UV, 112UW, 112UX, 112UY, 112UZ, 112VA, 112VB, 112VC, 112VD, 112VE, 112VF, 112VG, 112VH, 112VI, 112VJ, 112VK, 112VL, 112VM, 112VN, 112VO, 112VP, 112VQ, 112VR, 112VS, 112VT, 112VU, 112VV, 112VW, 112VX, 112VY, 112VZ, 112WA, 112WB, 112WC, 112WD, 112WE, 112WF, 112WG, 112WH, 112WI, 112WJ, 112WK, 112WL, 112WM, 112WN, 112WO, 112WP, 112WQ, 112WR, 112WS, 112WT, 112WU, 112WV, 112WW, 112WX, 112WY, 112WZ, 112XA, 112XB, 112XC, 112XD, 112XE, 112XF, 112XG, 112XH, 112XI, 112XJ, 112XK, 112XL, 112XM, 112XN, 112XO, 112XP, 112XQ, 112XR, 112XS, 112XT, 112XU, 112XV, 112XW, 112XX, 112XY, 112XZ, 112YA, 112YB, 112YC, 112YD, 112YE, 112YF, 112YG, 112YH, 112YI, 112YJ, 112YK, 112YL, 112YM, 112YN, 112YO, 112YP, 112YQ, 112YR, 112YS, 112YT, 112YU, 112YV, 112YW, 112YX, 112YY, 112YZ, 112ZA, 112ZB, 112ZC, 112ZD, 112ZE, 112ZF, 112ZG, 112ZH, 112ZI, 112ZJ, 112ZK, 112ZL, 112ZM, 112ZN, 112ZO, 112ZP, 112ZQ, 112ZR, 112ZS, 112ZT, 112ZU, 112ZV, 112ZW, 112ZX, 112ZY, 112ZZ

REFERENCE DWG.
 9321-C-2016 - FLOW DIAGRAM SYMBOLS

ANSTEC APERTURE CARD

THIS DRAWING CONTAINS ITEMS WHICH MUST BE CONTROLLED WITHIN AN EDISON AS "CLASS A" ITEMS PER CI-240-1

NOTE
 ORIGINAL INFORMATION SHOWN ON THIS DWG. WAS TRANSFERRED FROM FABRICATING ENGINEERING CORP. DWG # D-11483 (A207655)

NUCLEAR RECORDS MANAGEMENT SYSTEM
 For Record Retention at Field Component
 Use For Modification Work
 THIS RECORD VALID ONLY WITHIN
 MAR 08 1990

NO. 1	DATE 6-19-87	BY M. J. KING	DESCRIPTION	REVISION
1	6-19-87	M. J. KING	ISSUED FOR CONSTRUCTION	
2	7-22-87	M. J. KING	REVISED TO REFLECT CHANGES	
3	7-22-87	M. J. KING	REVISED TO REFLECT CHANGES	
4	7-22-87	M. J. KING	REVISED TO REFLECT CHANGES	
5	7-22-87	M. J. KING	REVISED TO REFLECT CHANGES	
6	7-22-87	M. J. KING	REVISED TO REFLECT CHANGES	
7	7-22-87	M. J. KING	REVISED TO REFLECT CHANGES	
8	7-22-87	M. J. KING	REVISED TO REFLECT CHANGES	
9	7-22-87	M. J. KING	REVISED TO REFLECT CHANGES	
10	7-22-87	M. J. KING	REVISED TO REFLECT CHANGES	

Docket # 50-247
 Accession # 94031010
 Date 2/11/94
 Regulatory Docket File