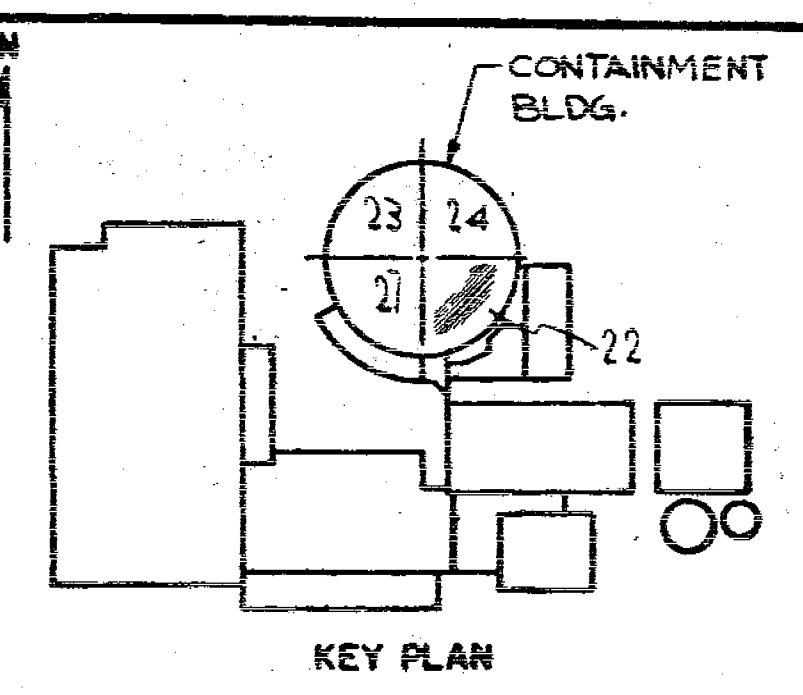
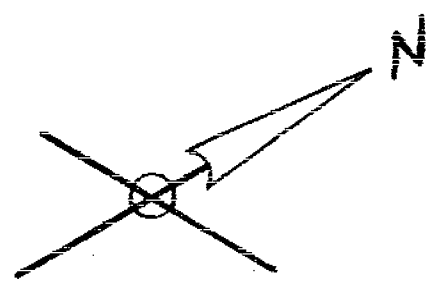
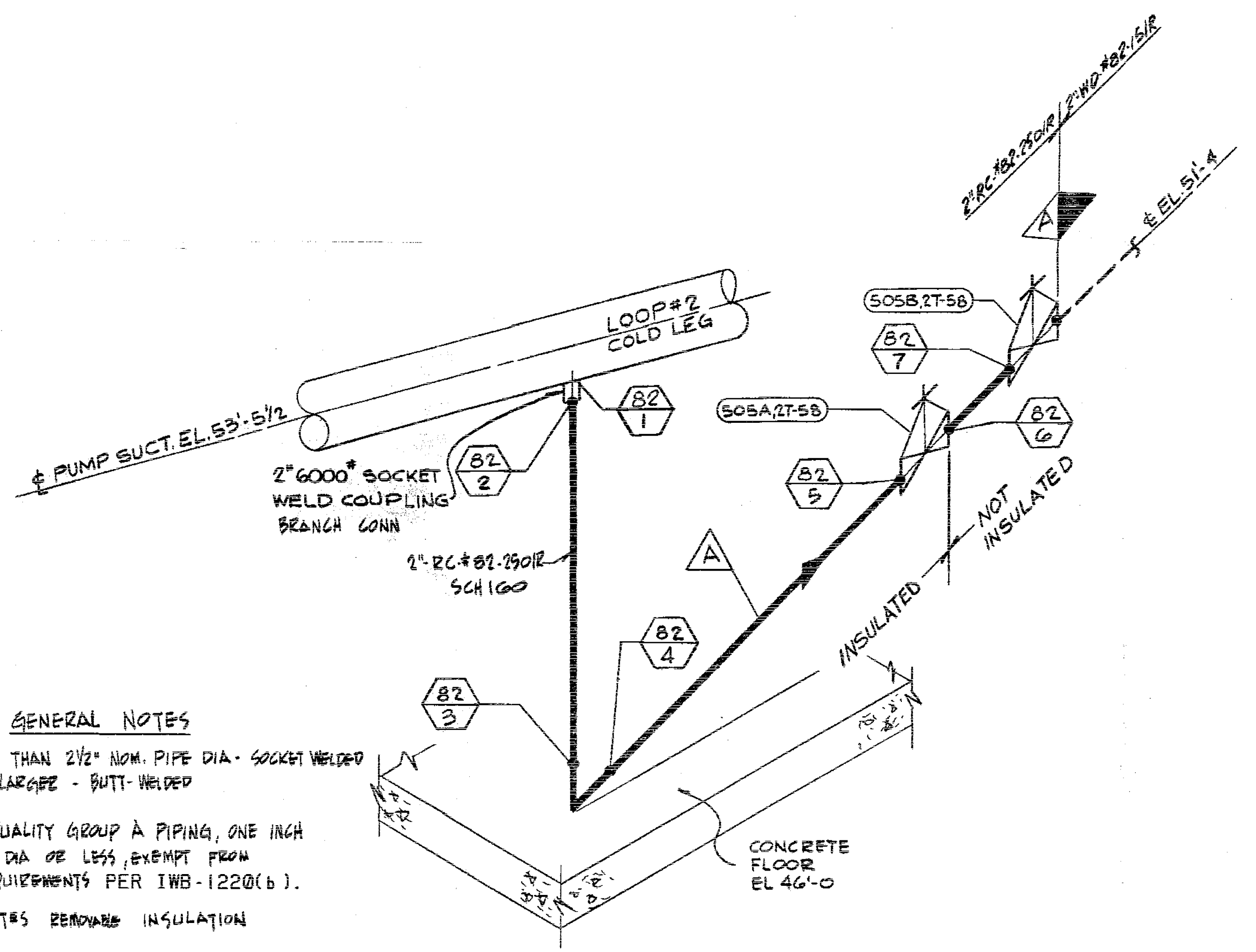


INDIAN POINT #2
 REACTOR COOLANT SYSTEM
 ISOMETRIC OF
 #82 INSIDE CONTAINMENT



REV.	DATE	DESCRIPTION
0	11-3-78	THIS ISSUE IS NON-CLASS 'A' PER CI-240-1. RELEASE FOR RECORD. P.N. 7076 11-3-78
1	1-10-80	THIS REVISION IS NON-CLASS 'A' PER CI-240-1. ADDED LATEST REV. NO TO REF DWG'S. RELEASE FOR RECORD. P.N. 7076 706/AS EBASCO SERVICES, INC. 1-10-80
2	11-12-82	THIS REVISION IS NON-CLASS 'A' PER CI-240-1. ADDED LATEST REV. NO TO REF. DWG'S. RELEASE FOR RECORD. P.N. 21368 TREADWELL CORP 11-12-82
3	11-12-82	THIS REVISION IS NON-CLASS PER CI-240-1. CHANGED DISCIPLINE CODE FROM MJ TO ML. RELEASE FOR RECORD. P.N. 69911-EI A.C.
4	11-12-82	THIS REVISION IS CLASS 'A' PER 240-1. UPDATED DWG. PER INSERVICE INSPECTION. FIELD REVISION INFORMATION RELEASE FOR RECORD P.N. 69911-EI J.S.

VALVE BONNET BOLTING						
VALVE NO.	VALVE TYPE	NO. OF BOLTS	BOLT DIA.	BOLT TYPE	VALVE MANUFACTURER	MANUFACTURER DWG. NO.
509A	Z-T58				ROCKWELL-EDWARDS	D-464532
509B	Z-T58				ROCKWELL-EDWARDS	D-464532



- GENERAL NOTES**
1. WELDS LESS THAN 2 1/2" NOM. PIPE DIA. SOCKET WELDED 2 1/2" AND LARGER - BUTT-WELDED
 2. WELDS IN QUALITY GROUP A PIPING, ONE INCH NOM. PIPE DIA OR LESS, EXEMPT FROM NDT REQUIREMENTS PER IWB-1220(b).
 3. (X) INDICATES REMAINS INSULATION

NOT FOR FABRICATION OR INSTALLATION

THIS DRAWING CONTAINS ITEMS WHICH MUST BE CONTROLLED WITHIN CON EDISON AS:

"CLASS A" ITEMS
PER CI-240-1

NOT FOR FABRICATION OR INSTALLATION

REFERENCE DRAWINGS

- FLOW DIAGRAM REACTOR COOLANT SYSTEM 9321-F-2738
- CONTAINMENT BUILDING WASTE DISPOSAL SYSTEM SOUTH HALF 9321-F-2646

SYMBOL IDENTIFICATION

- VALVE NUMBER
- WELD NUMBER
- QUALITY GROUP CLASSIFICATION
- INTEGRAL SUPPORT WELD NUMBER

B206716-4
CONSOLIDATED EDISON CO.
 OF NEW YORK, INC.

STATION LOCATION INDIAN POINT #2
 INSERVICE INSPECTION
 ISOMETRIC OF REACTOR COOLANT LINE #82 (DRAIN)
 INSIDE CONTAINMENT

SCALE	DRAWN BY B. WORTHY	RECORDED
PN 7076	CHECKED BY E. BROOKS	ENG
DIAG	ELECT	MECH

APPROVALS	
GENERAL ENGINEERING	CHIEF DESIGNER
MECHANICAL ENGINEERING	PLANT SUPERVISOR
CIVIL ENGINEERING	T & S STRUCT. ENGINEER
ELECTRICAL ENGINEERING	STATION ELECT. ENGINEER
GAS & STEAM OPERATIONS	STRUCT. ENGINEER
PRODUCTION	CONVENTIONAL POWER
	NUCLEAR POWER

Docket # 10-247
 Accession # 94031012
 Date 2/28/74
 Regulatory Docket File