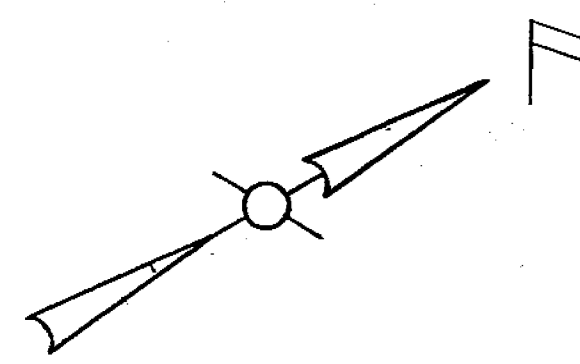
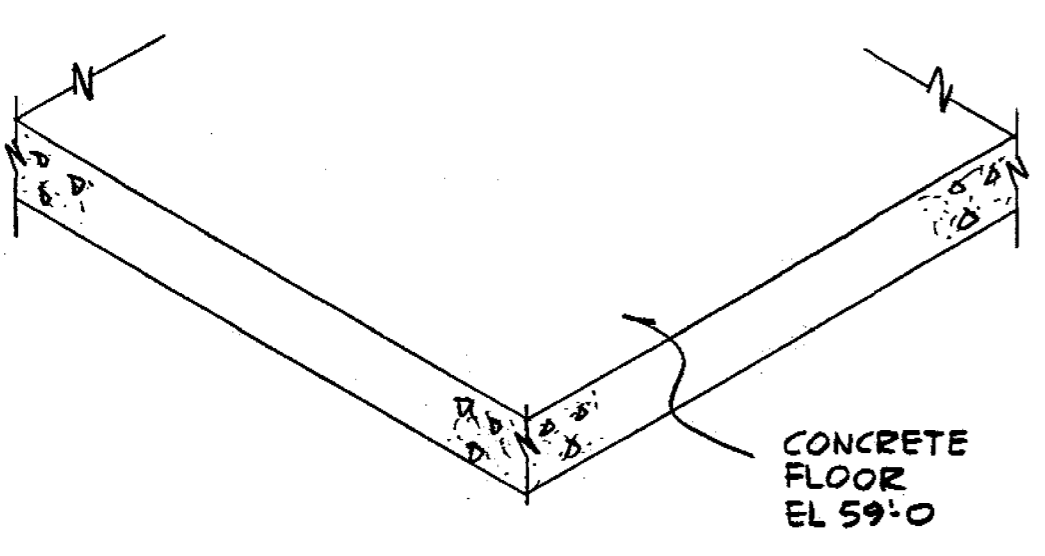
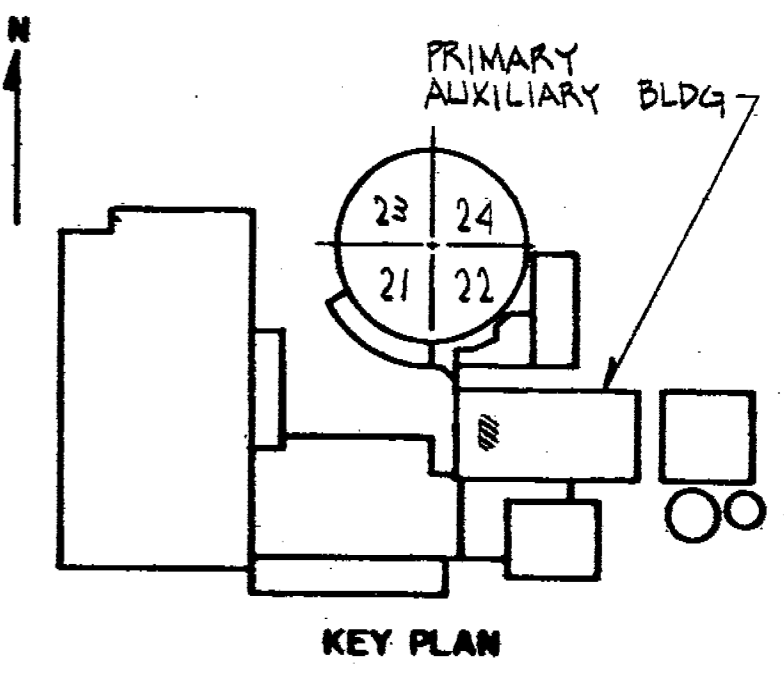
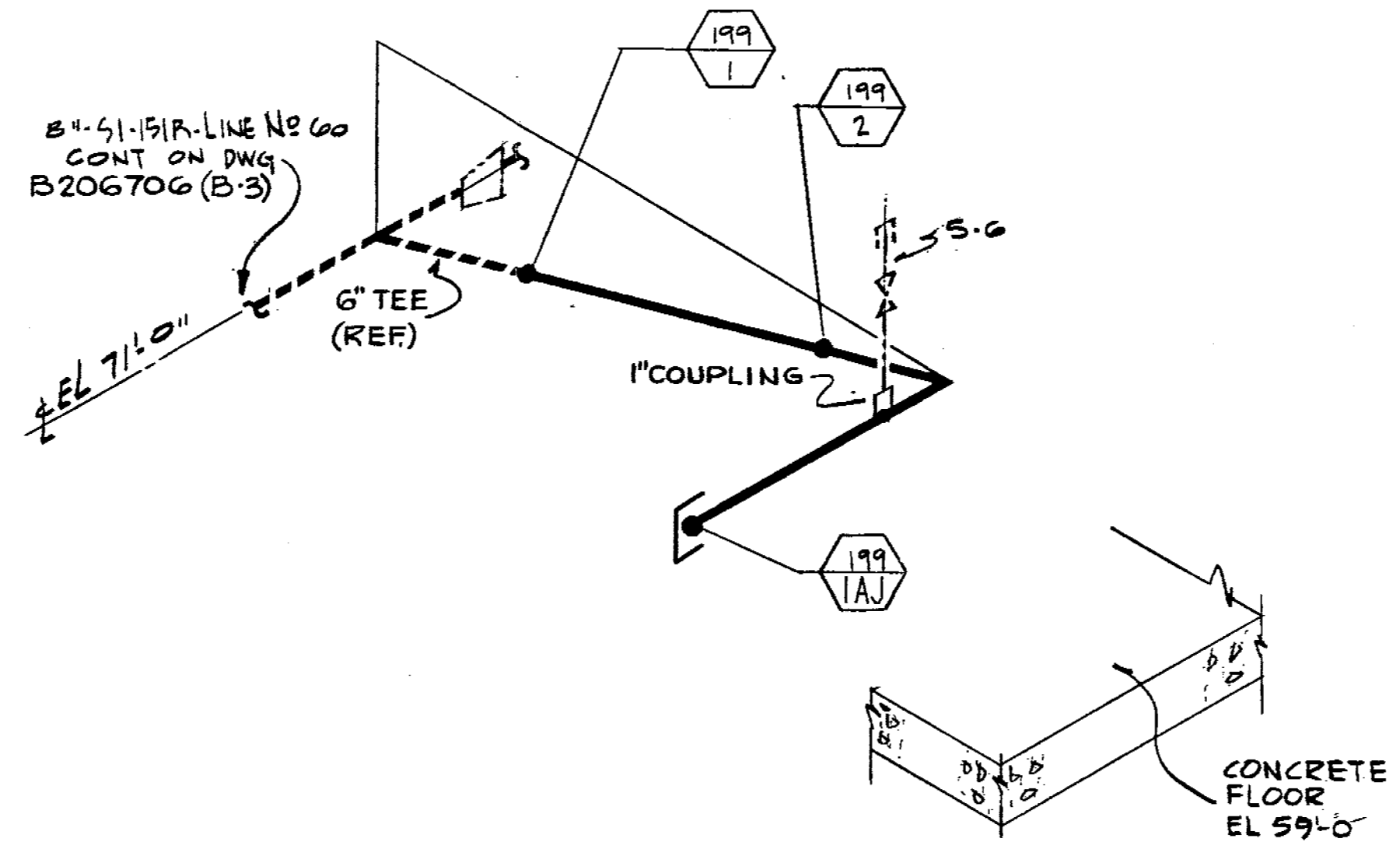
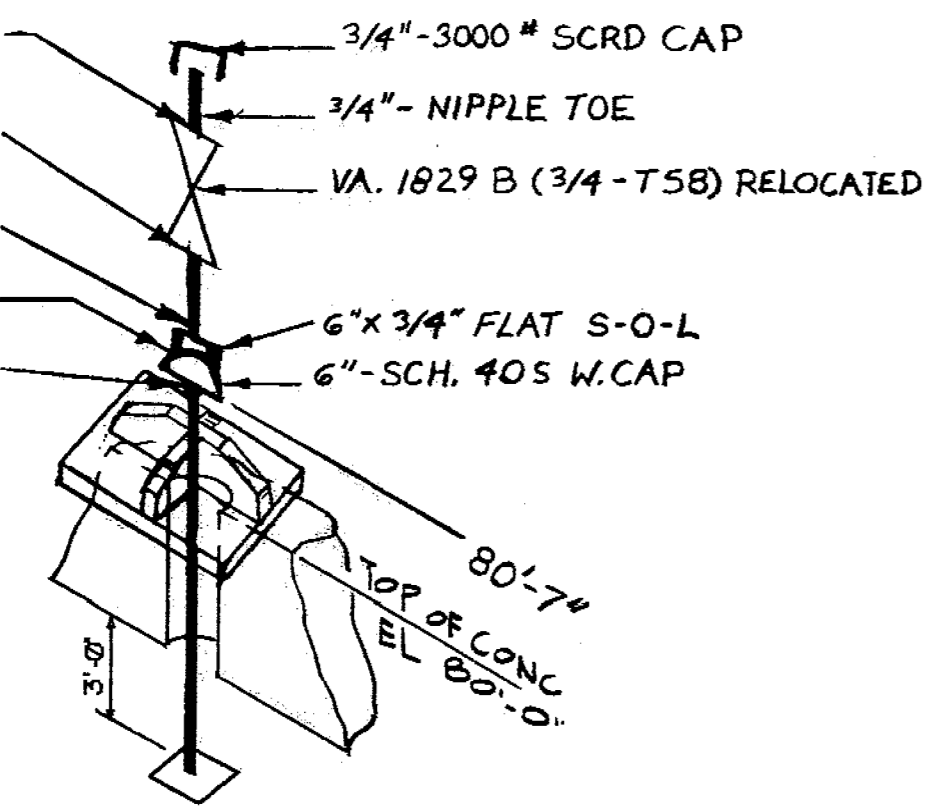


621902
 PRIMARY AUX BLDG
 INJECTION LINE NO 199
 ISOMETRIC OF SAFETY



- 9321-2588-AA-SW-3
- 9321-2588-AA-SW-4
- 9321-2588-AA-SW-2
- 9321-2588-AA-SW-1
- 9321-2588-AA-FW-1



FOR GENERAL NOTES SEE DWG. B206705

TYPICAL WELD DETAIL DRAWINGS
 6" CLASS 151, SCH 10S - D20B 010

ANSTEO APERTURE CARD

VALVE BONNET BOLTING						
VALVE NO.	VALVE TYPE	NO. OF BOLTS	BOLT DIA.	BOLT TYPE	VALVE MANUFACTURER	MANUFACTURER DWG. NO.
1821	G-	10	9/16"	BOLT	ALOTCO	E-43525
1822A	G-	10	9/16"	BOLT	ALOTCO	E-43525
1822B	G-	10	9/16"	BOLT	ALOTCO	E-43525
1831	G-VMSBFM	10	1/4"	STUD BOLT	DARLING	93-12261

REFERENCE DRAWINGS

- FLOW DIAGRAM - SAFETY INJECTION SYSTEM _____ 9321-F-2735
- PRIMARY AUXILIARY BUILDING COMPOSITE PIPING ARRANGEMENT PLANS AT EL. 15', EL. 35', EL. 42', & EL. 59' _____ A227951
- PRIMARY AUXILIARY BUILDING COMPOSITE PIPING ARRANGEMENT SECTIONS - SHEET NO. 3 _____ 9321-F-2588
- PRIMARY AUXILIARY BUILDING COMPOSITE PIPING ARRANGEMENT SECTIONS - SHEET NO. 4 _____ 9321-F-2589

SYMBOL IDENTIFICATION

- SUPPORT NUMBER
- VALVE NUMBER
- WELD NUMBER
- QUALITY GROUP CLASSIFICATION
- INTEGRAL SUPPORT WELD NUMBER

Docket # 30-247
 Accession # 14631117
 Date 2/28/84
 Regulatory Docket File

B206729-5
CONSOLIDATED EDISON CO.
 OF NEW YORK, INC.

STATION LOCATION INDIAN POINT NO 2
 INSERVICE INSECTION
 ISOMETRIC OF SAFETY INJECTION LINE NO 199
 PRIMARY AUXILIARY BUILDING

SCALE NONE
 DRAWN BY P. DENE
 P.N. 7076
 CHECKED BY SIMONE
 DATE 1/12/82

APPROVALS

GENERAL ENGINEERING	CHIEF DESIGN ENGINEER	<i>[Signature]</i>
MECHANICAL ENGINEERING	MECH. ENGINEER	<i>[Signature]</i>
CIVIL ENGINEERING	T. & D. STRUCT. ENGINEER	<i>[Signature]</i>
ELECTRICAL ENGINEERING	STATION ELECT. ENGINEER	
SAF & STEAM OPERATIONS	T. & D. ENGINEER	
PRODUCTION	STRUCT. ENGINEER	
	CONVENTIONAL POWER	
	NUCLEAR POWER	

ML

REVISIONS
 0 THIS ISSUE IS NON-CLASS 'A' PER CI-240-1. RELEASE FOR RECORD. P.N. 7076 11-3-78

1 THIS REVISION IS NON-CLASS 'A' PER CI-240-1. ADDED REF DRAWING. ADDED LATEST REV. NO TO REF. DWG'S. RELEASE FOR RECORD. P.N. 7076 MG/AS PER INSERVICE INSPECTION FIELD REVISION INFORMATION. RELEASE FOR RECORD. P.N. 69911-EI J.S.

2 THIS REVISION IS NON-CLASS 'A' PER CI-240-1. ADDED LATEST REV. NO TO REF. DWG'S. RELEASE FOR RECORD. P.N. 21368 TREADWELL CORP. 11-12-82.

3 THIS REVISION IS CLASS 'A' AS PER CI-240-1 OBSOLETE, TRANSFERRED TO RECORD DRAWING. ISSUED FOR RECORD. PACKAGE NO. 4136 P/N 50774

4 THIS REV. IS NON CLASS PER CI-240-1. CHANGED DISCIPLINE CODE FROM MJ TO ML. RELEASE FOR RECORD. P.N. 69911-EI MM

NOT FOR FABRICATION OR INSTALLATION

THIS DRAWING CONTAINS ITEMS WHICH MUST BE CONTROLLED WITHIN CON EDISON AS:
"CLASS A" ITEMS
 PER CI-240-1

NOT FOR FABRICATION OR INSTALLATION

