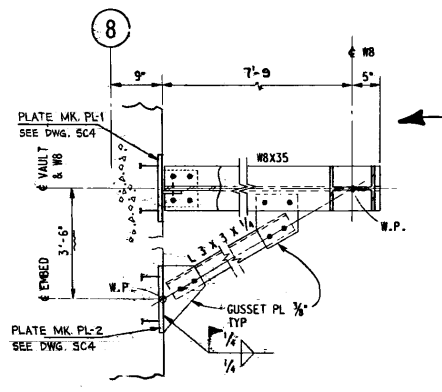
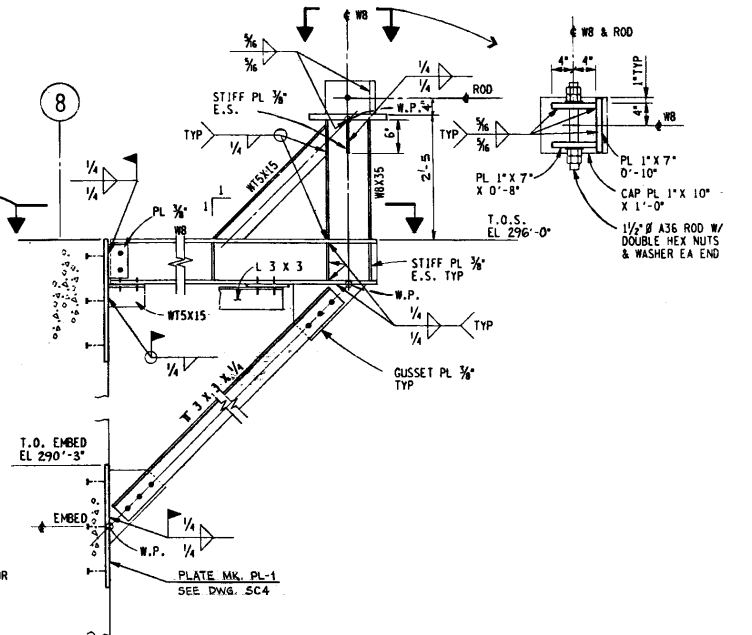


NOTES:
 1. CURB PLATE NOT REQUIRED ON NORTH FACE OF WALLS ON (1) AND (3) AND SOUTH FACE OF WALLS ON (4) AND (5).
 2. THE COLOR OF TOP COAT ON BOTTOM PORTION OF THE CURB PLATE 1' E BETWEEN EL 295.6 AND EL 296.0 SHALL BE BLACK (FED STD 595a COLOR FS 36076).



WIRE ROPE ANCHOR DETAIL C
 FOR LOCATION, SEE DWG. SC1 (WB28992).
 NOTE: WIRE ROPE ANCHOR IS DESIGNED FOR A PULL OF 15 KIPS.



DETAIL AB-1
 1 1/2\"/>

NOTES:
 1. FOR GENERAL CONCRETE NOTES SEE DWG. SC3 (WB28999).
 2. FOR OTHER NOTES SEE DWG. SC1 (WB28992).
 3. INSTALL MEADOW-PROOF SEAMLESS COATING WITH TOTAL THICKNESS OF 60 MILS (1/2\"/>

BECHTEL NATIONAL INC.		JOB NO. 13239	
SAN FRANCISCO			
THIS DOCUMENT CONTAINS INFORMATION RELATING TO ACTIVITIES OF THE U.S. DEPARTMENT OF ENERGY. NOT TO BE REPRODUCED OR RELEASED WITHOUT PRIOR APPROVAL.			
M/F	BLDG. PROJ. DA TYPE	W 828993	LAST 7 REV
	451Z 952295 2451 44 45		
SAVANNAH RIVER PLANT		SC2	
DWPf - 200Z AREA		SSIO	
SALTSTONE VAULT 4			
SECTIONS AND DETAILS			
CONCRETE AND STEEL		(SHEET 1 OF 2)	

THIS IS A SCANNED CAD PLOT

REVISION REQUIRES PROPER RASTER/VECTOR SOFTWARE.
 CONTACT E & PD DESIGN ENGINEERING CADD OPERATIONS GROUP FOR FURTHER INFORMATION.
 DO NOT REVISE THIS PLOTTED COPY.

PROJ. NO.	REVISION	RVSD	CHKD	APPD	DATE	STANDARDS	REFERENCE DRAWINGS	PROJECT	SCALE	DATE	
952295	5						WB30744 (K) DWG. INDEX WB51346 (C) PIPE SUPPLY PLS	952295			
52295	80						WB28992 (C) VAULT PLAN & DET WB28994 (C) RAIL PLAN & DET WB28999 (C) GEN. NOTES & DETS WB2921 (C) CIVIL LAYOUT WB28998 (C) SDG & DRAINAGE				
N/A 7 07/08/08 INCORPORATED C-DEF-2-00052, C-DEF-2-00086, APPROVED & MAINTAINED IN CDD DWG. MIP/PLM C-DEF-2-00105 AND CHANGE 1, C-DEF-2-00107 AND CHANGE 1, C-DEF-2-00121, W-DEF-2-00167, AND W-DEF-2-00252. SIGNATURES ON MICROFILM 55515 6 07/14/98 REVISED AND ISSUED AS-BUILT PER PROJECT 55515.							APPROVED: [Signature] 10-22-97 FINAL: [Signature] 10-22-97 DRC: [Signature]				
C-CC-2-0017 E & PD DRAWING NO.							UNITED STATES DEPARTMENT OF ENERGY SAVANNAH RIVER SITE		E I DU PONT DE NEMOURS & CO., INC. WILMINGTON, DELAWARE ENGINEERING DEPARTMENT W 828993		

