

80

81

82

83

84

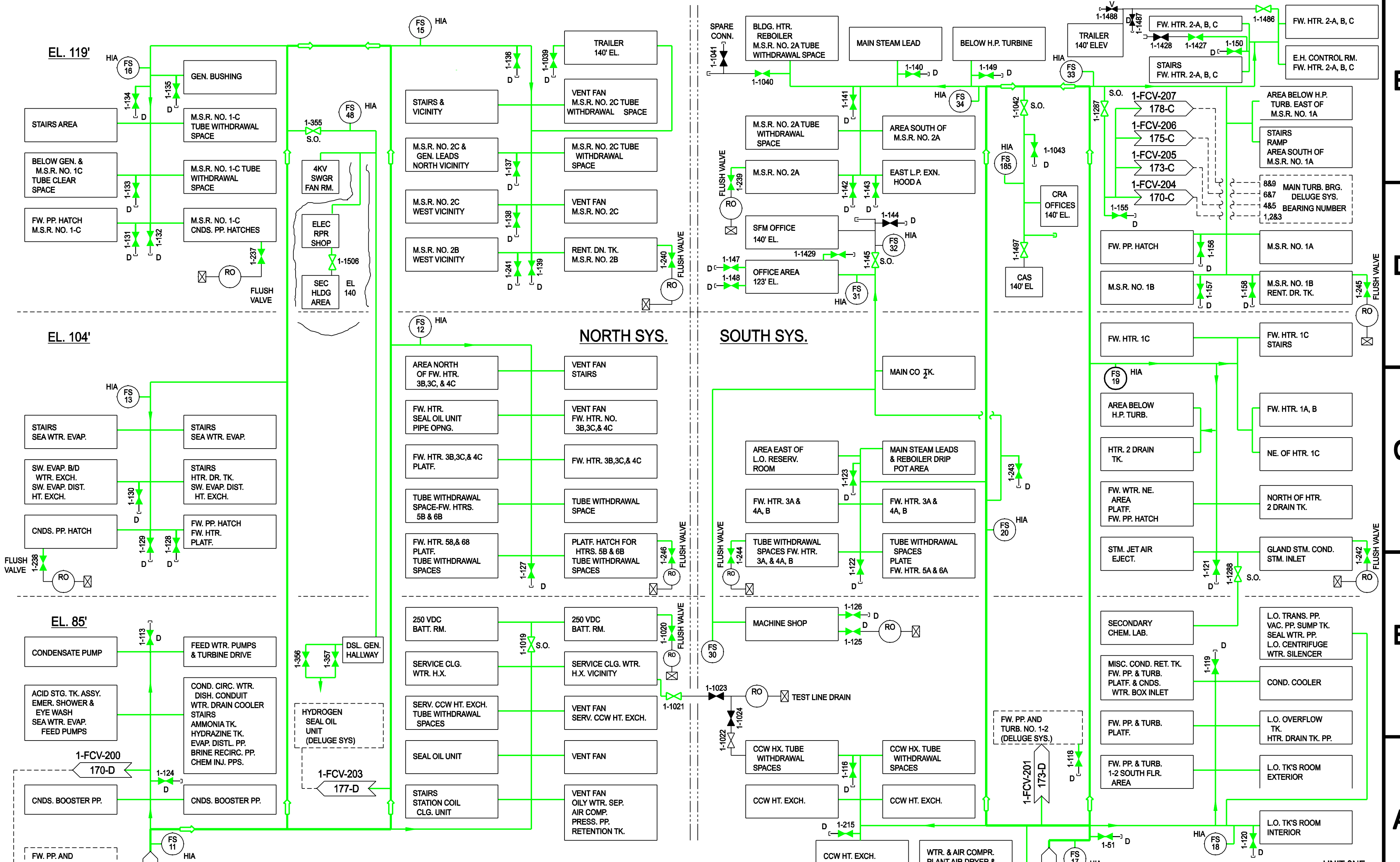
85

86

87

88

89



TURBINE BLDG. UNIT 1
 (WET & DELUGE)
 AUTOMATIC FIRE SPRINKLERS SYS.

LR BOUNDARY DRAWING NO.	REV.
LR-DCPP-18-106718-08	0

90

91

92

93

94

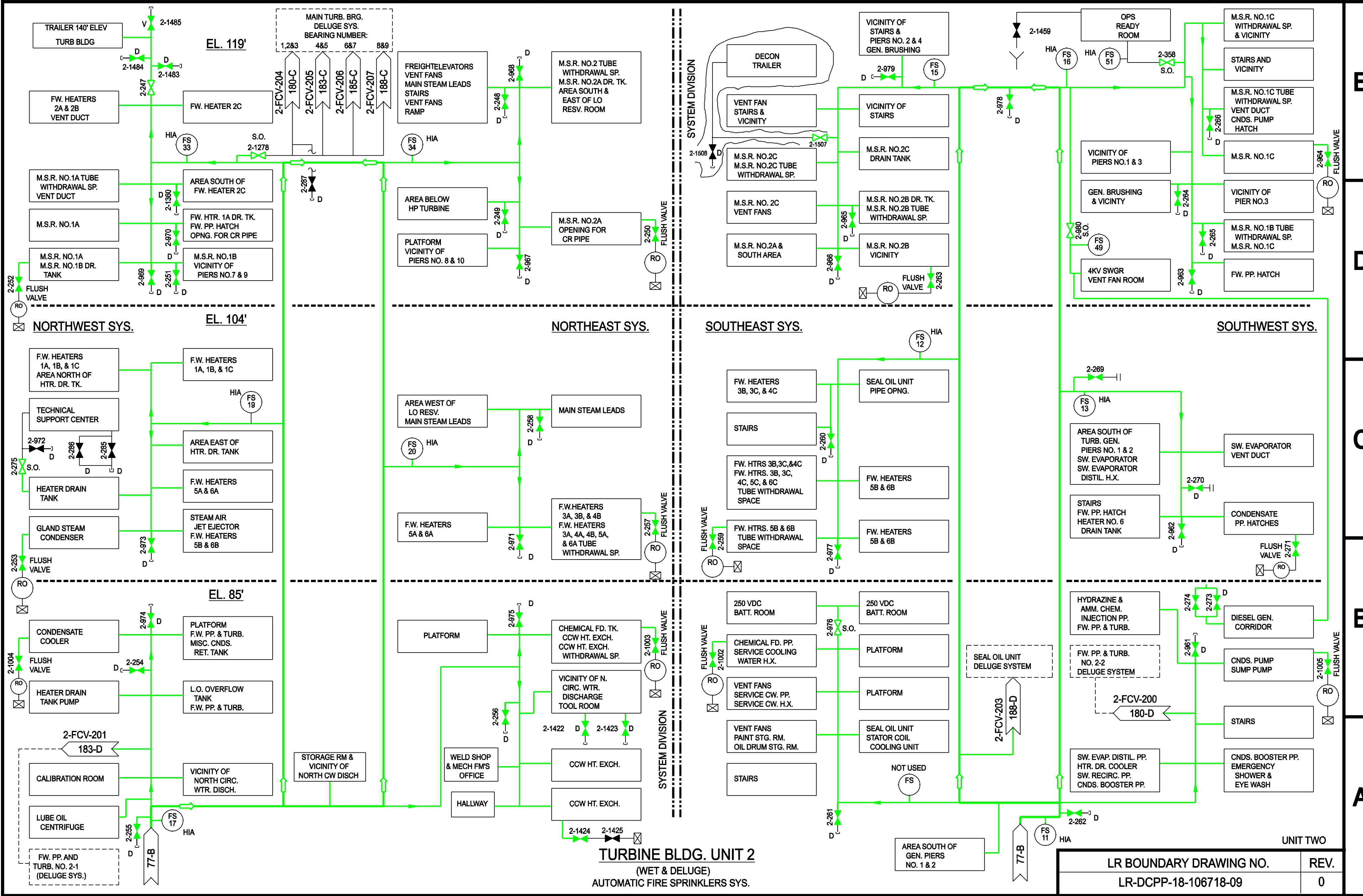
95

96

97

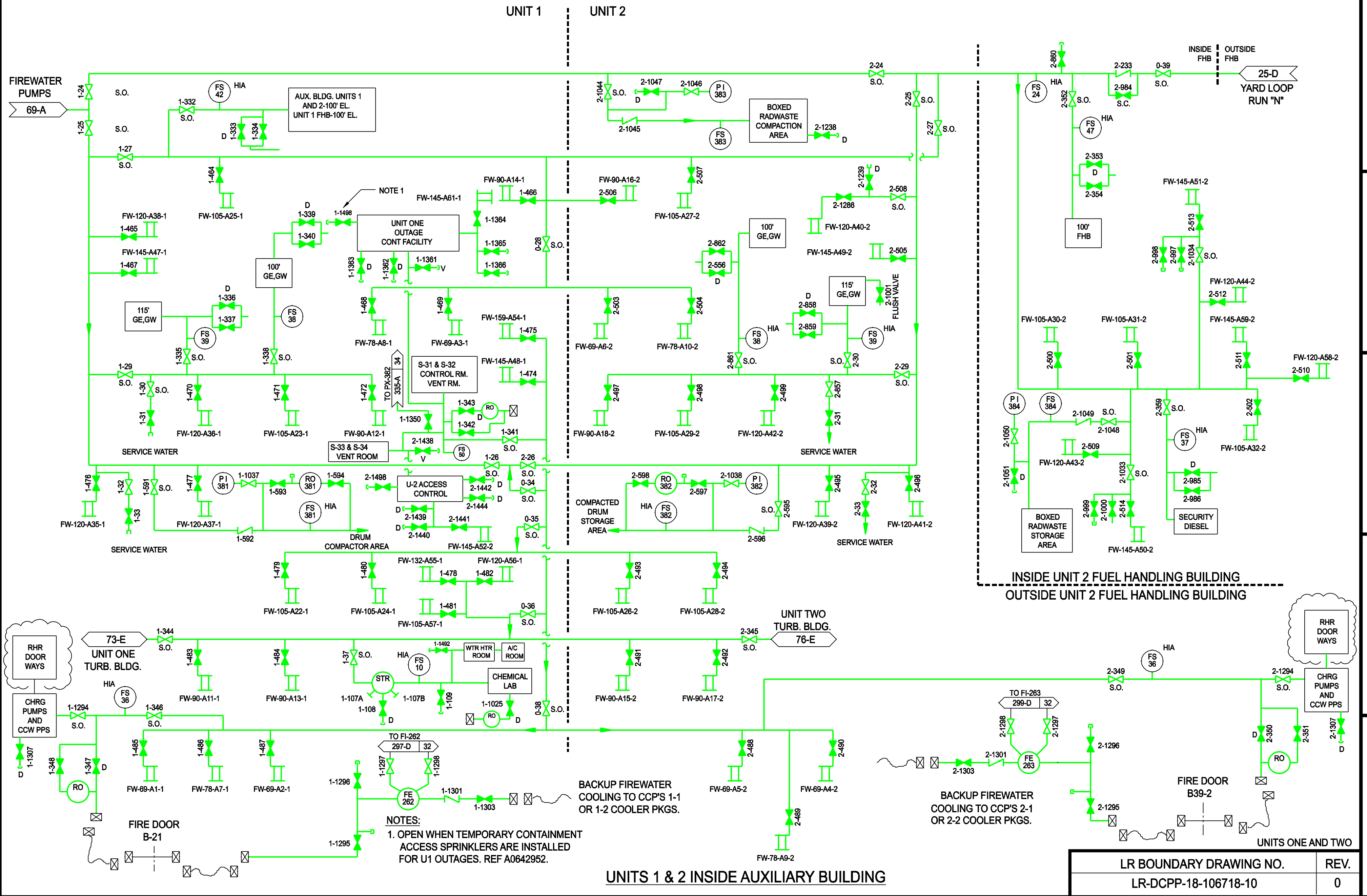
98

99



TURBINE BLDG. UNIT 2
 (WET & DELUGE)
 AUTOMATIC FIRE SPRINKLERS SYS.

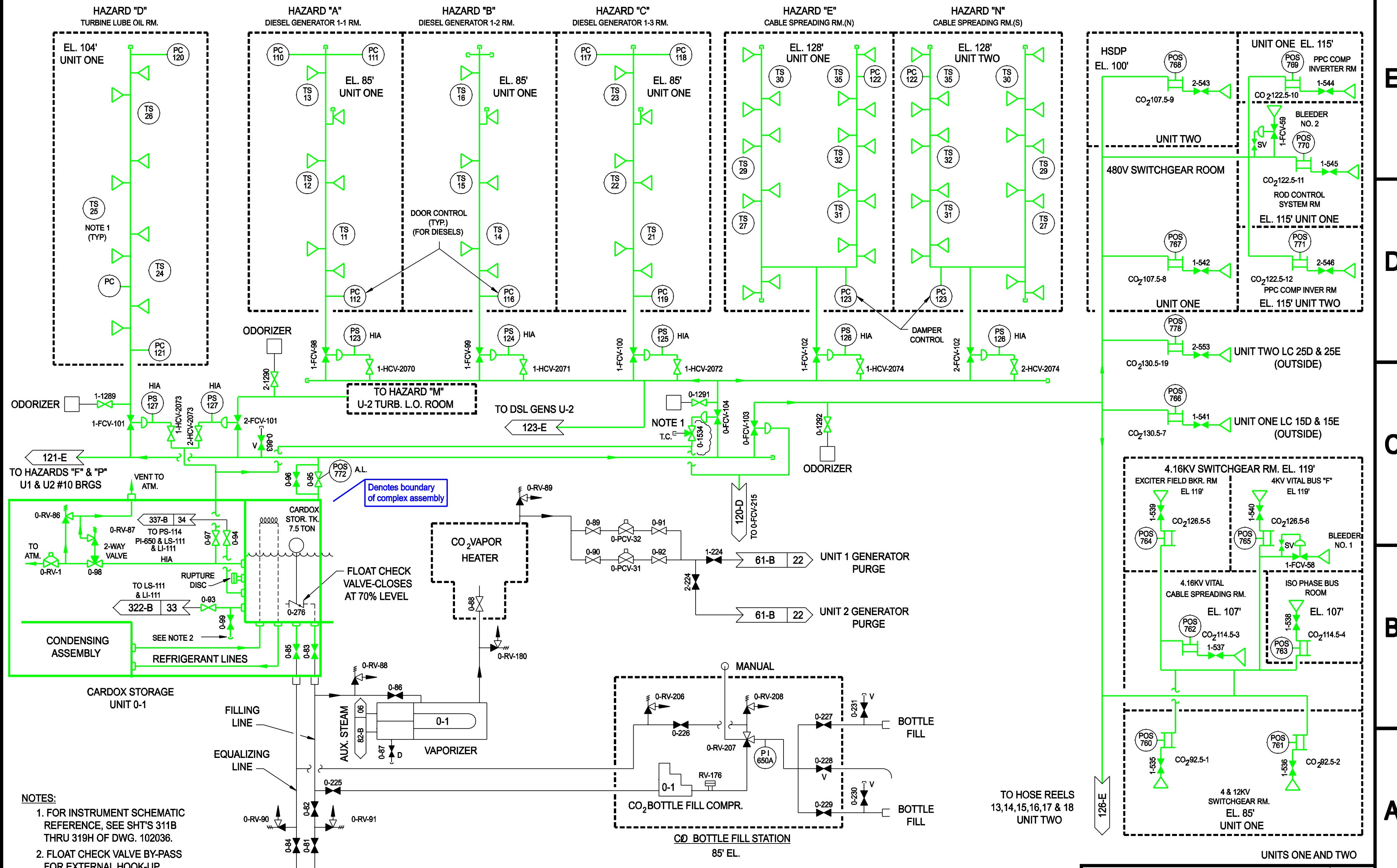
LR BOUNDARY DRAWING NO.	REV.
LR-DCPP-18-106718-09	0



NOTES:
 1. OPEN WHEN TEMPORARY CONTAINMENT ACCESS SPRINKLERS ARE INSTALLED FOR U1 OUTAGES. REF A0642952.

UNITS 1 & 2 INSIDE AUXILIARY BUILDING

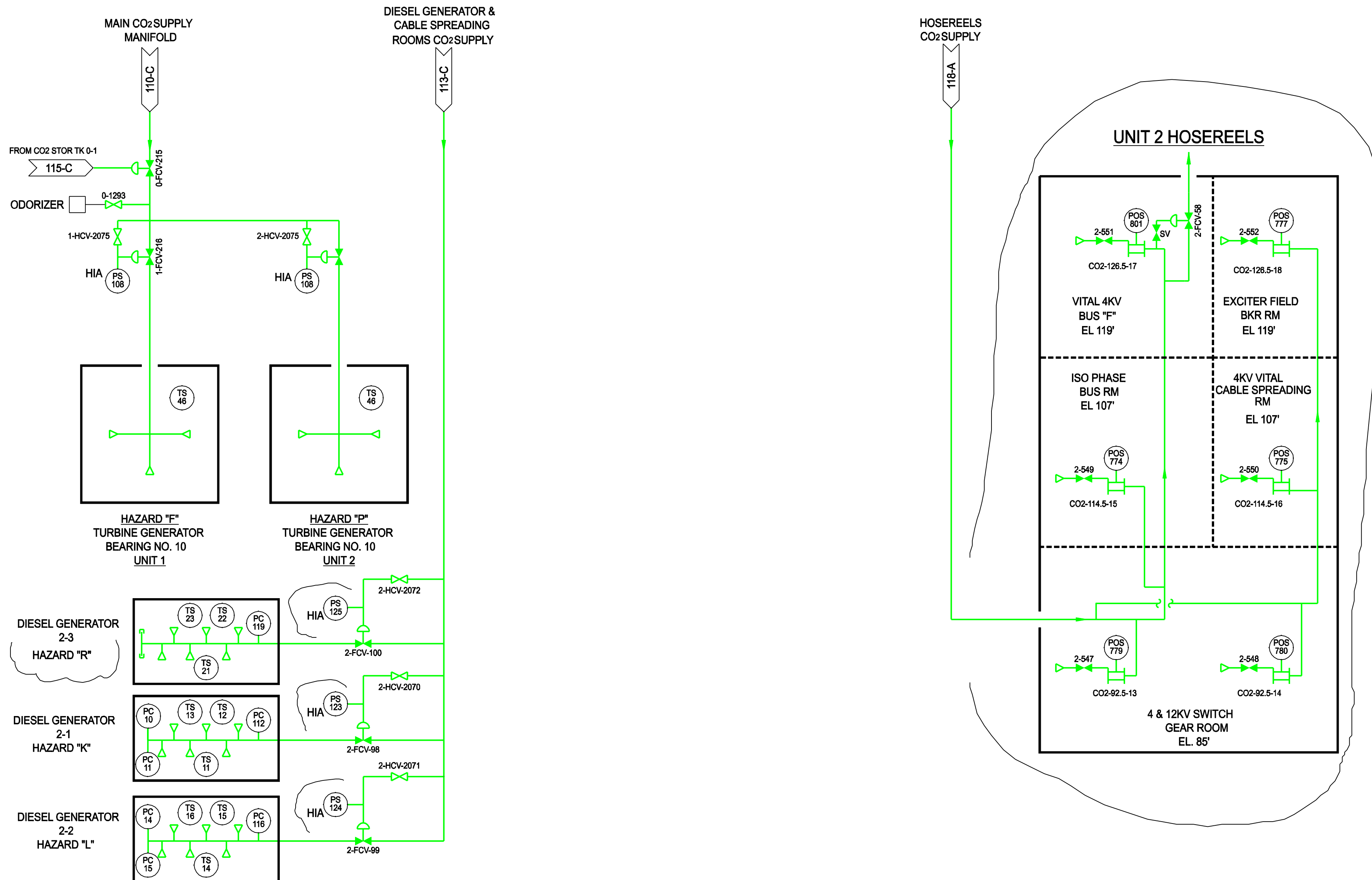
LR BOUNDARY DRAWING NO.	REV.
LR-DCPP-18-106718-10	0



- NOTES:**
1. FOR INSTRUMENT SCHEMATIC REFERENCE, SEE SHT'S 311B THRU 319H OF DWG. 102036.
 2. FLOAT CHECK VALVE BY-PASS FOR EXTERNAL HOOK-UP.

CARBON DIOXIDE FIRE PROTECTION SYSTEM

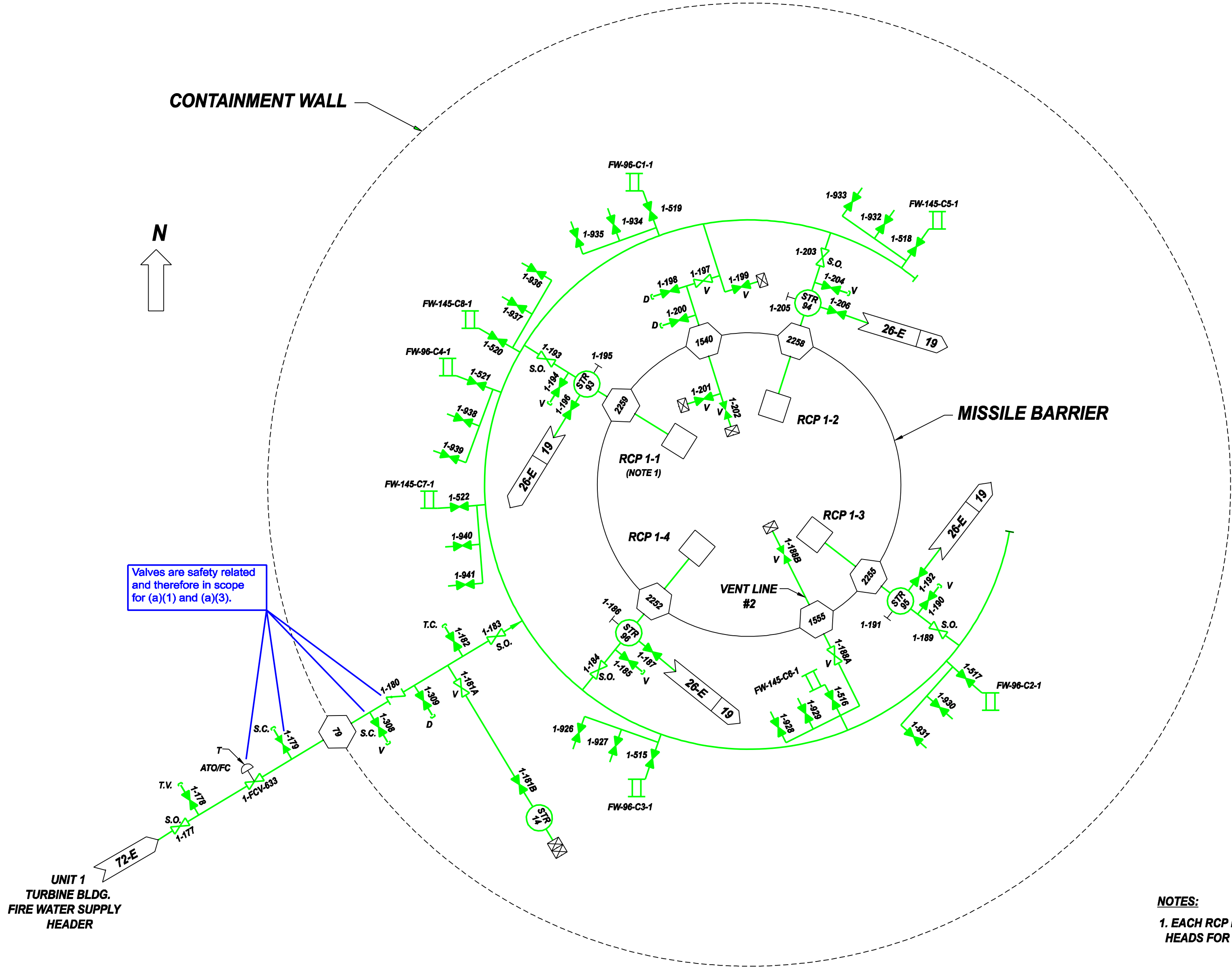
LR BOUNDARY DRAWING NO.	REV.
LR-DCPP-18-106718-11	0



CARBON DIOXIDE FIRE PROTECTION SYSTEM
UNITS 1 & 2

UNITS ONE AND TWO

LR BOUNDARY DRAWING NO.	REV.
LR-DCPP-18-106718-12	0



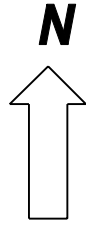
Valves are safety related and therefore in scope for (a)(1) and (a)(3).

UNIT 1
TURBINE BLDG.
FIRE WATER SUPPLY
HEADER

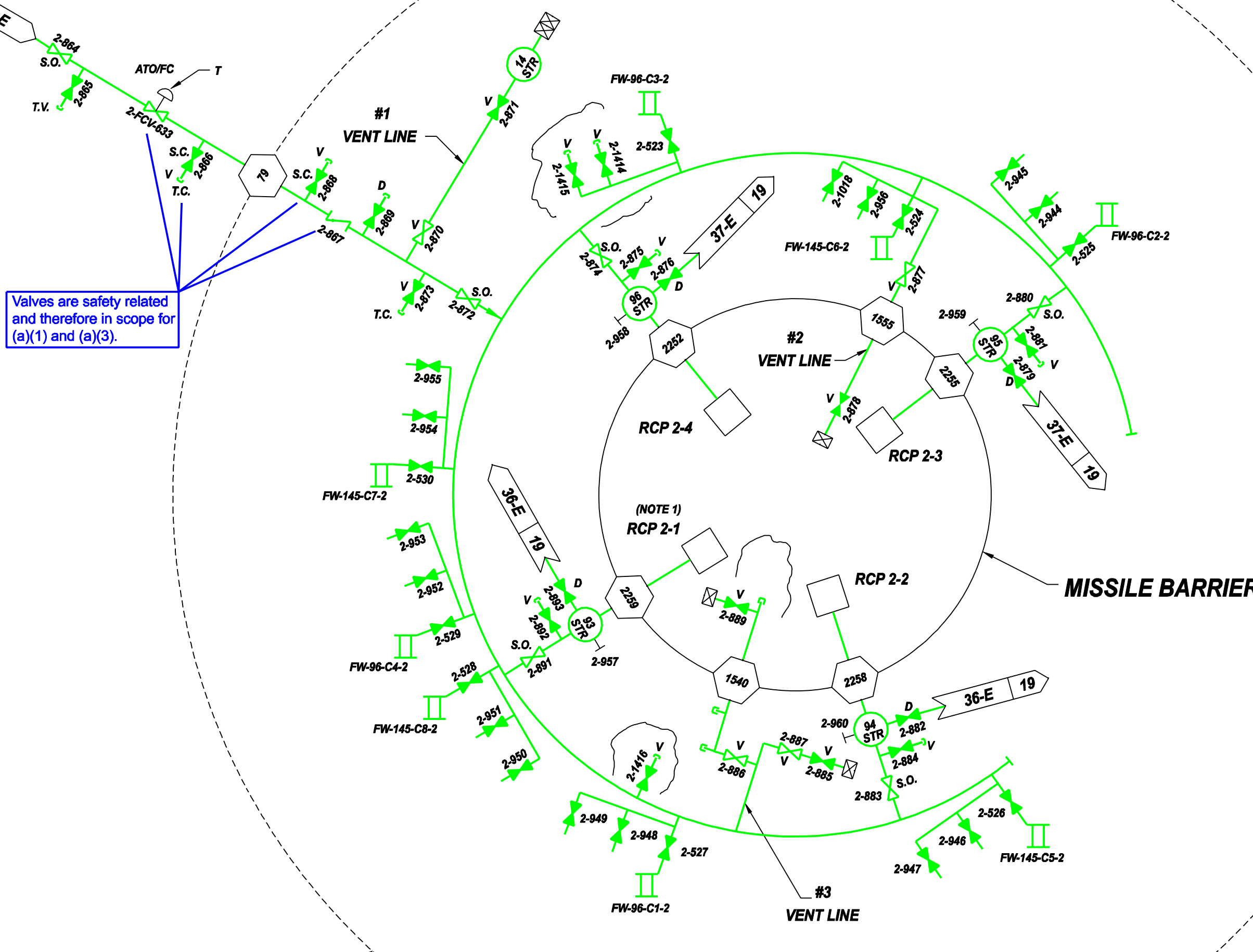
NOTES:
1. EACH RCP HAS FOUR SPRINKLER HEADS FOR FIRE PROTECTION.

**CONTAINMENT STRUCTURE
UNIT 1**

UNIT ONE	
LR BOUNDARY DRAWING NO.	REV.
LR-DCPP-18-106718-13	0



HEADER
FIRE WATER SUPPLY
TURBINE BLDG.
UNIT 2

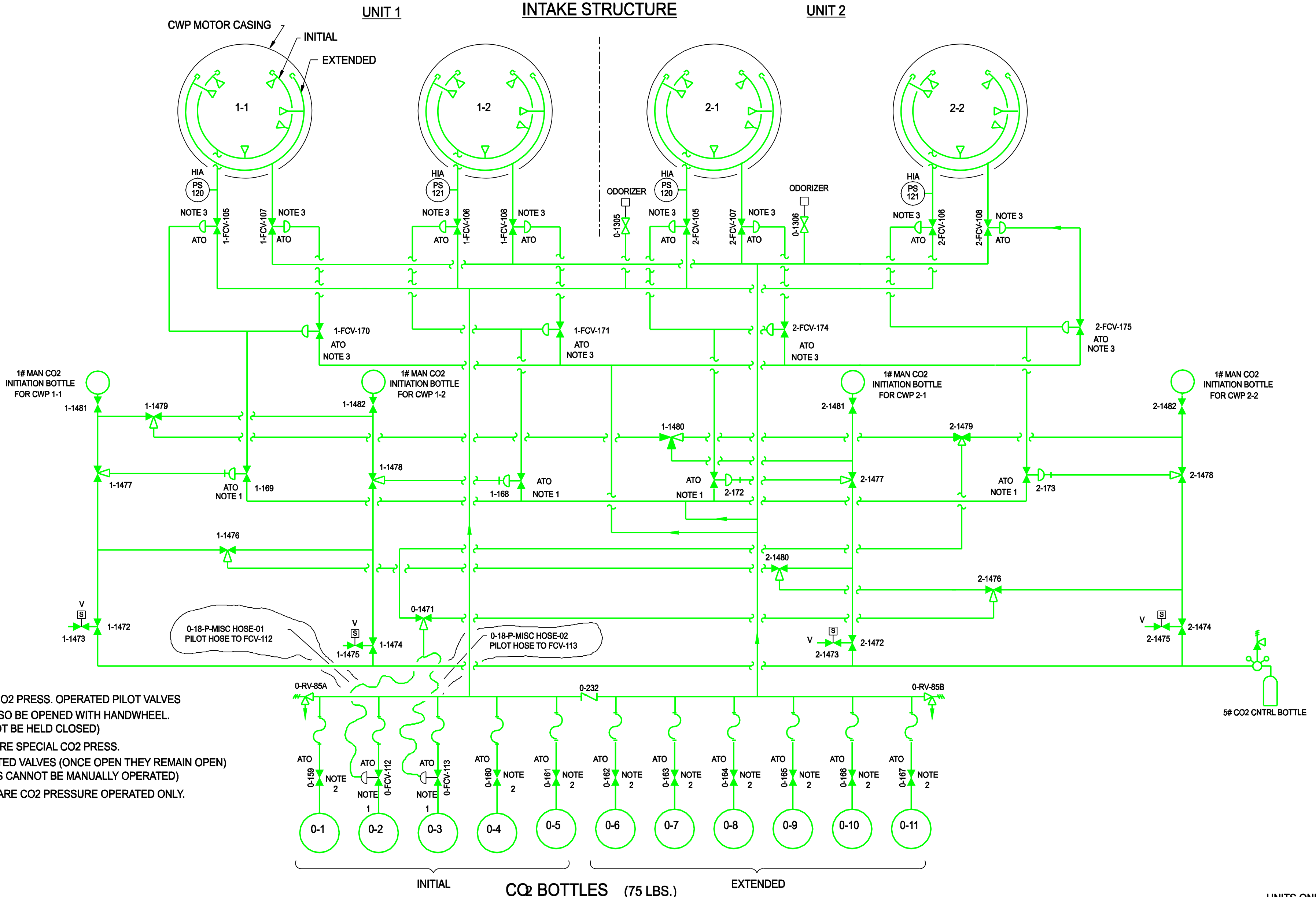


NOTE:
1. EACH RCP HAS SPRINKLER
HEADS FOR FIRE PROTECTION.

**CONTAINMENT STRUCTURE
UNIT 2**

UNIT TWO	
LR BOUNDARY DRAWING NO.	REV.
LR-DCPP-18-106718-14	0

E
D
C
B
A



- NOTES:**
1. THESE CO2 PRESS. OPERATED PILOT VALVES CAN ALSO BE OPENED WITH HANDWHEEL. (CANNOT BE HELD CLOSED)
 2. THESE ARE SPECIAL CO2 PRESS. OPERATED VALVES (ONCE OPEN THEY REMAIN OPEN) (VALVES CANNOT BE MANUALLY OPERATED)
 3. VALVES ARE CO2 PRESSURE OPERATED ONLY.

CO₂ BOTTLES (75 LBS.)
CO₂ PROTECTION SYSTEM FOR INTAKE STRUCTURE

UNITS ONE AND TWO	
LR BOUNDARY DRAWING NO.	REV.
LR-DCPP-18-106718-15	0

160

161

162

163

164

165

166

167

168

169

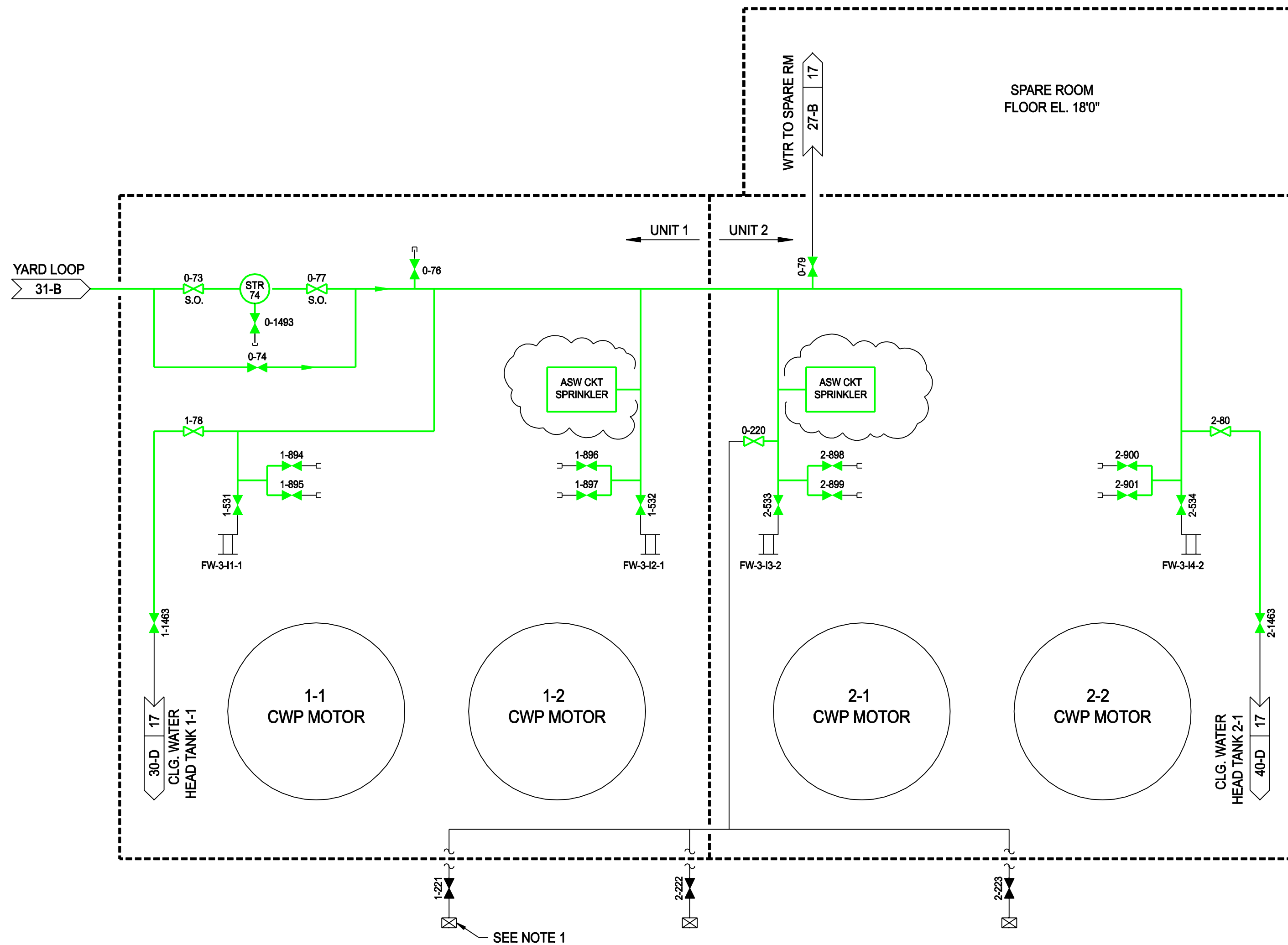
E

D

C

B

A



NOTE:

- 1. HOSE CONNECTION LOCATED BY TRAVELING SCREENS.

SEE NOTE 1

**INTAKE STRUCTURE
FIREWATER PROTECTION SYSTEM**

UNITS ONE AND TWO

LR BOUNDARY DRAWING NO.	REV.
LR-DCPP-18-106718-16	0

20

21

22

23

24

25

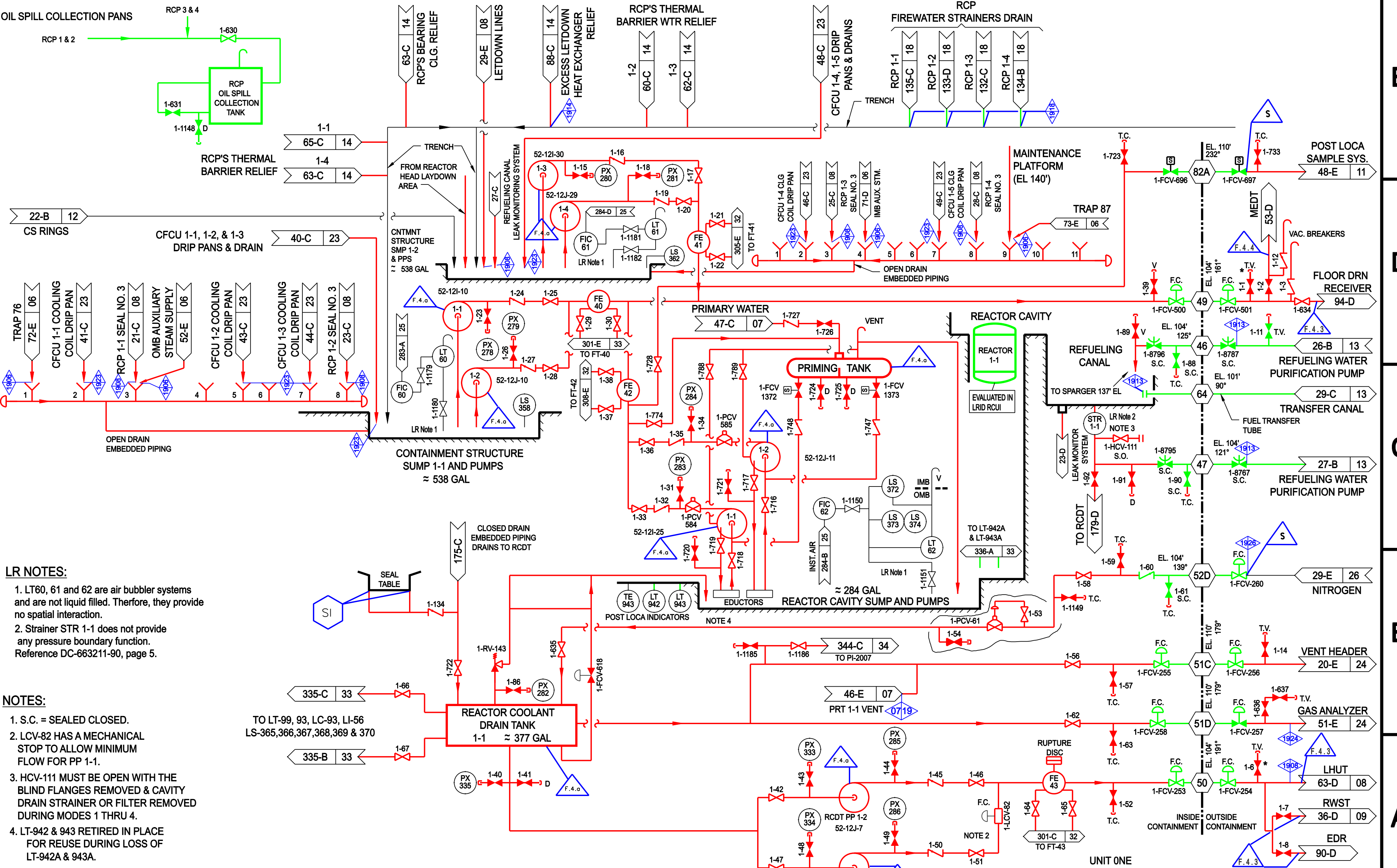
26

27

28

29

E
D
C
B
A



- LR NOTES:**
1. LT60, 61 and 62 are air bubbler systems and are not liquid filled. Therefore, they provide no spatial interaction.
 2. Strainer STR 1-1 does not provide any pressure boundary function. Reference DC-663211-90, page 5.

- NOTES:**
1. S.C. = SEALED CLOSED.
 2. LCV-82 HAS A MECHANICAL STOP TO ALLOW MINIMUM FLOW FOR PP 1-1.
 3. HCV-111 MUST BE OPEN WITH THE BLIND FLANGES REMOVED & CAVITY DRAIN STRAINER OR FILTER REMOVED DURING MODES 1 THRU 4.
 4. LT-942 & 943 RETIRED IN PLACE FOR REUSE DURING LOSS OF LT-942A & 943A.

* DENOTES CHEMISTRY VALVE

LR BOUNDARY DRAWING NO.	REV.
LR-DCPP-19-106719-02	0

30

31

32

33

34

35

36

37

38

39

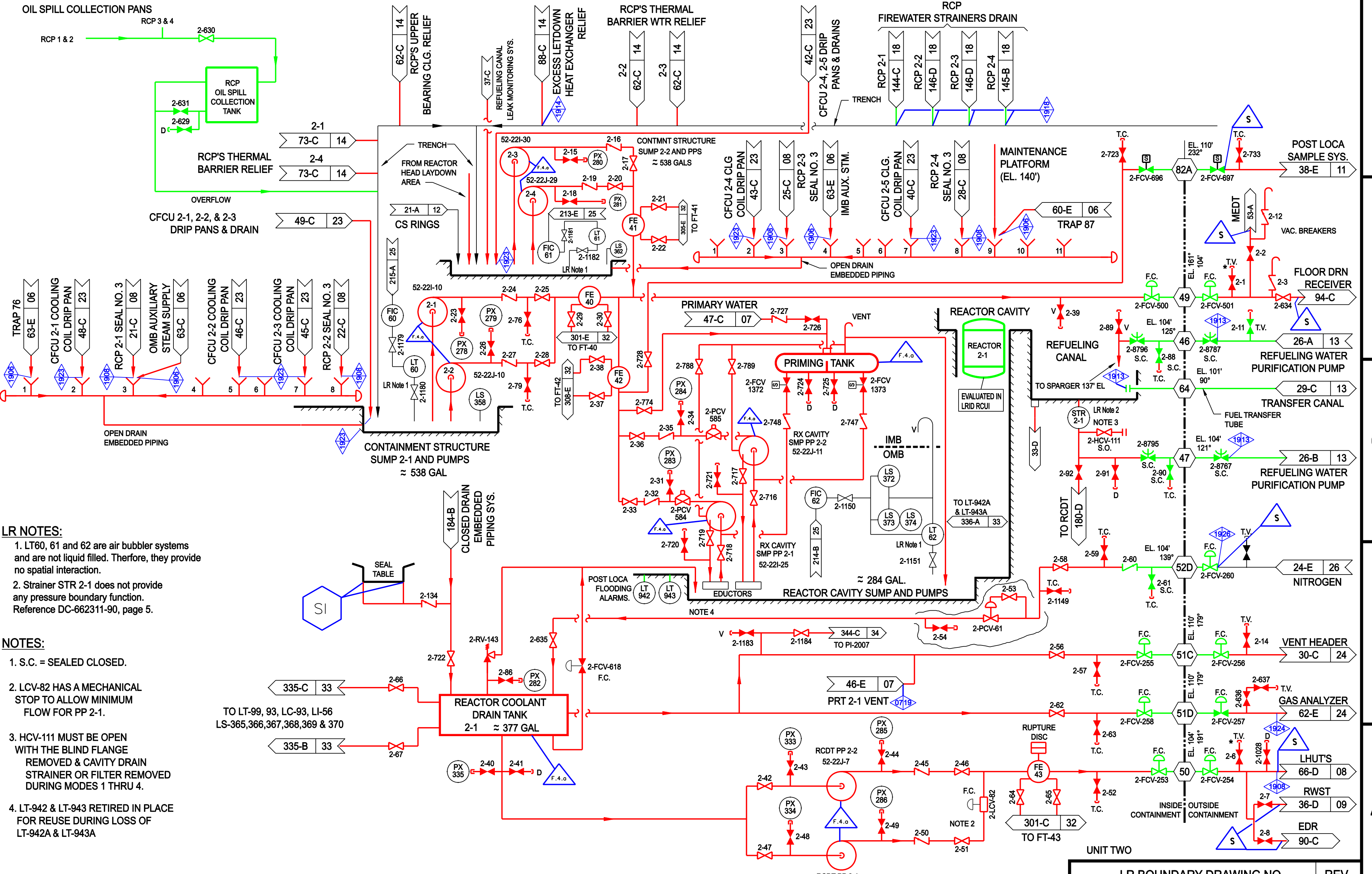
E

D

C

B

A



- LR NOTES:**
1. LT60, 61 and 62 are air bubbler systems and are not liquid filled. Therefore, they provide no spatial interaction.
 2. Strainer STR 2-1 does not provide any pressure boundary function. Reference DC-662311-90, page 5.

- NOTES:**
1. S.C. = SEALED CLOSED.
 2. LCV-82 HAS A MECHANICAL STOP TO ALLOW MINIMUM FLOW FOR PP 2-1.
 3. HCV-111 MUST BE OPEN WITH THE BLIND FLANGE REMOVED & CAVITY DRAIN STRAINER OR FILTER REMOVED DURING MODES 1 THRU 4.
 4. LT-942 & LT-943 RETIRED IN PLACE FOR REUSE DURING LOSS OF LT-942A & LT-943A

* DENOTES CHEMISTRY VALVES

LR BOUNDARY DRAWING NO.	REV.
LR-DCPP-19-106719-03	0

40

41

42

43

44

45

46

47

48

49

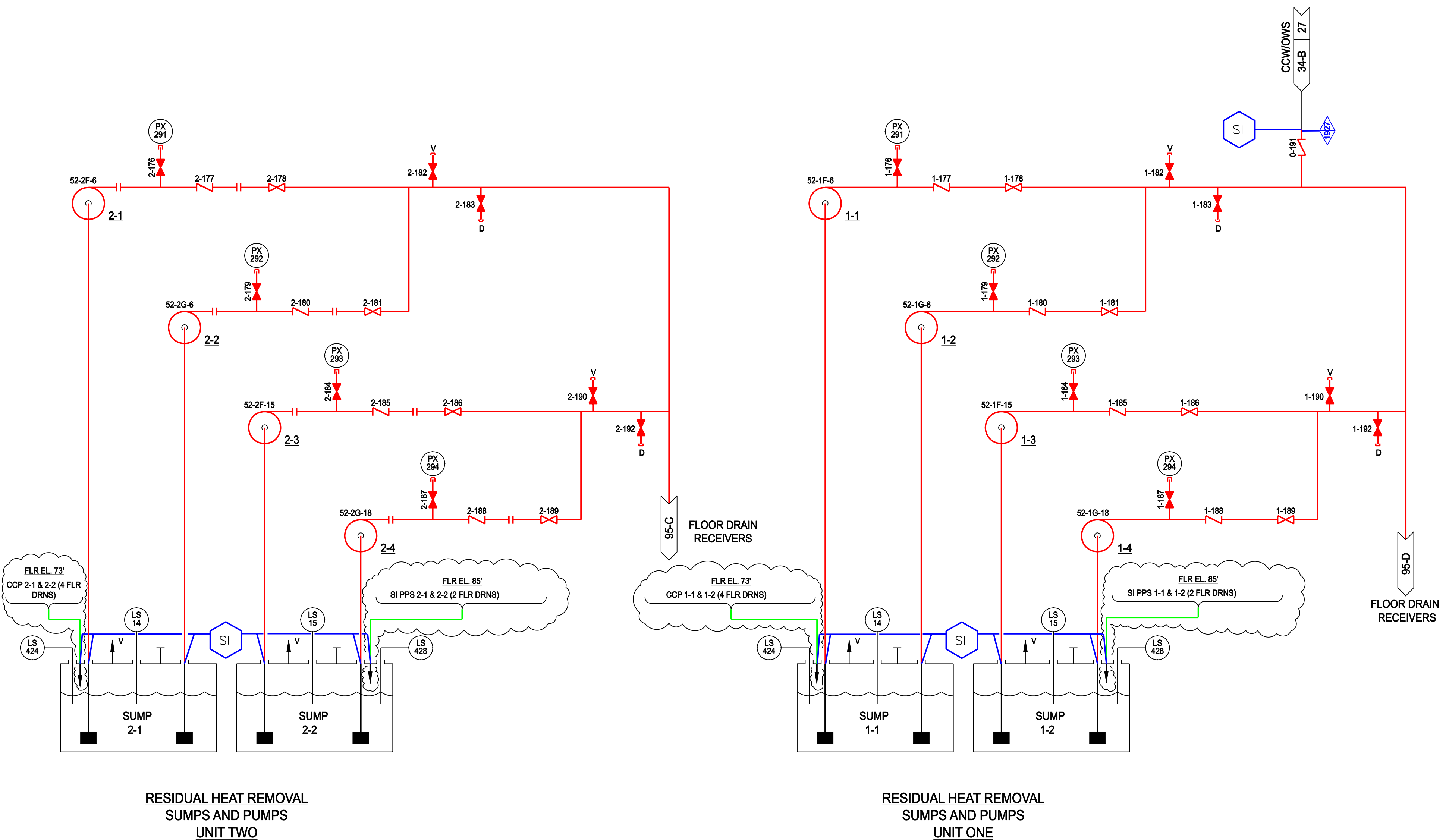
E

D

C

B

A



**RESIDUAL HEAT REMOVAL
SUMPS AND PUMPS
UNIT TWO**

**RESIDUAL HEAT REMOVAL
SUMPS AND PUMPS
UNIT ONE**

UNITS ONE AND TWO	
LR BOUNDARY DRAWING NO.	REV.
LR-DCPP-19-106719-04	0

50

51

52

53

54

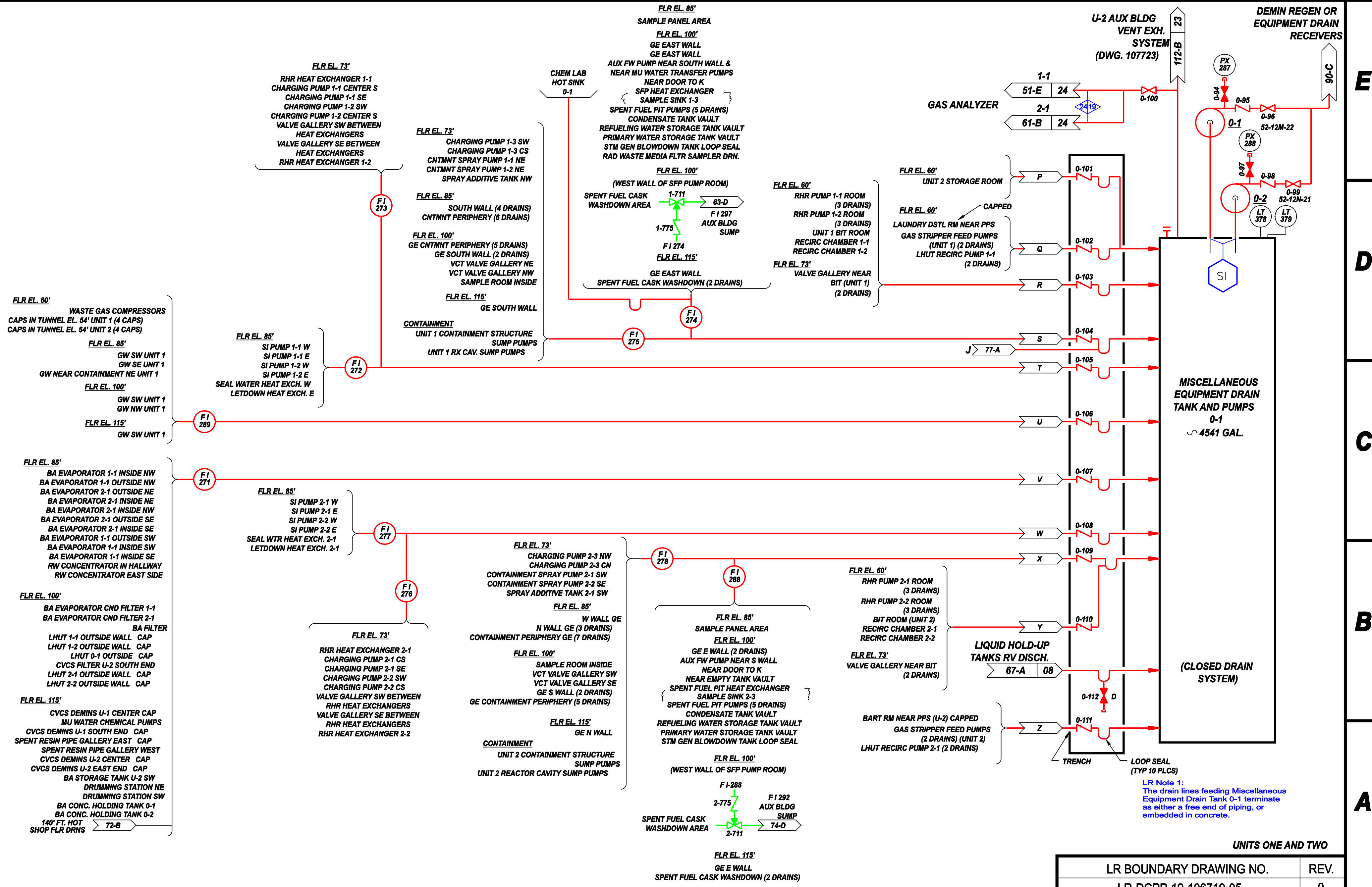
55

56

57

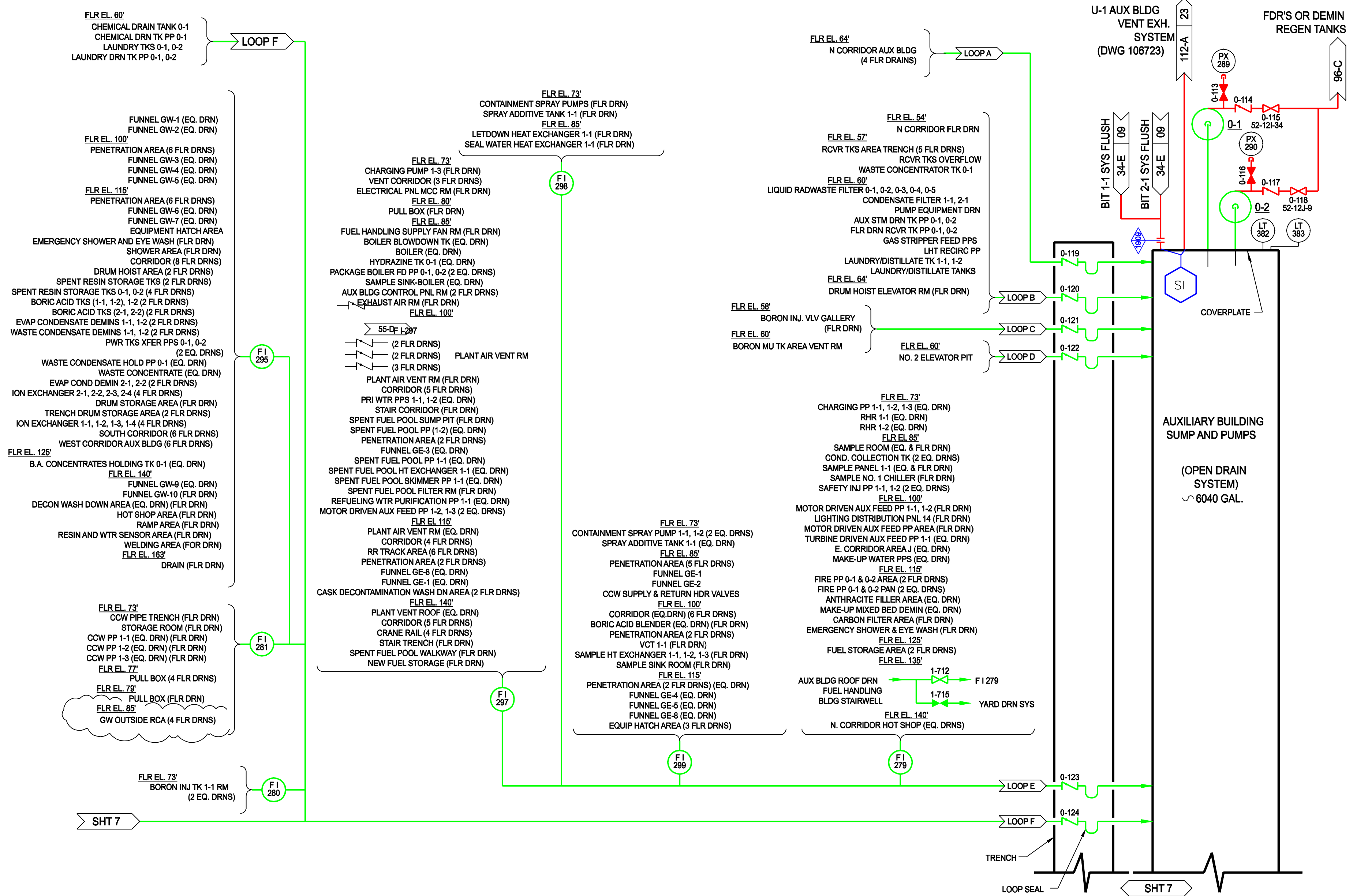
58

59



LR Note 1:
The drain lines feeding Miscellaneous Equipment Drain Tank 0-1 terminate as either a free end of piping, or embedded in concrete.

UNITS ONE AND TWO	
LR BOUNDARY DRAWING NO.	REV.
LR-DCPP-19-106719-05	0



LR BOUNDARY DRAWING NO.	REV.
LR-DCPP-19-106719-06	0

70

71

72

73

74

75

76

77

78

79

FLR EL. 85'
BORIC ACID EVAPORATOR 1-1 (2 EQ. DRNS) (2 FLR DRNS)
BORIC ACID EVAPORATORS 2-1 (2 EQ. DRNS) (2 FLR DRNS)
BORIC ACID EVAPORATOR PP 1-1 (2 EQ. DRNS)
BORIC ACID PP 2-1 (EQ. DRN) (FLR DRN)
N. CORRIDOR AUX BLDG (3 FLR DRNS)
S. CORRIDOR AUX BLDG (4 FLR DRNS)
DRUM HOIST AREA (FLR DRN)
SAMPLE SINK 1-1 (EQ. DRN) (FLR DRN)
SAMPLE SINK 2-1 (EQ. DRN) (FLR DRN)
RADWASTE CONCENTRATOR 0-1 (2 FLR DRNS) (EQ. DRN)
WASTE CONCENTRATOR PP 0-1 (EQ. DRN)
DISTILLATE PP 0-1 (EQ. DRN) (FLR DRN)
FLR EL. 100'
DRUM HOIST AREA (FLR DRN)
PIPE TROUGH (6 FLR DRNS)
BORIC ACID TRANSFER PP 1-1, 1-2 (2 EQ. DRNS)
BORIC ACID TRANSFER PP 2-1, 2-2 (2 EQ. DRNS)
BORIC ACID PP 1-1 (FLR DRN)
BORIC ACID FILTER 1-1, 2-1 (2 EQ. DRN)
FUTURE DEMINERALIZER 0-1 (FLR DRN)
FUTURE DEMINERALIZER 0-2 (FLR DRN)
MIXED BED DEMINERALIZER 1-2 (FLR DRN)
MIXED BED DEMINERALIZER 2-1, 2-2 (2 FLR DRNS)
CATION BED DEMINERALIZER 1-1, 2-1 (2 FLR DRNS)
DEBORATING DEMINERALIZER 1-1, 1-2 (2 FLR DRNS)
DEBORATING DEMINERALIZER 2-1, 2-2 (2 FLR DRNS)
SPENT FUEL PIT DEMIN 1-1, 2-1 (2 FLR DRNS)
SEAL WATER RETURN FILTER 1-1 (FLR DRN)
SEAL WATER FILTER 2-1 (FLR DRN)
ION EXCHANGE FILTER 1-1, 2-1 (2 EQ. DRNS)
B.A. CONCENTRATES FILTER 1-1, 2-1 (2 EQ. DRNS)
DRUM ELEVATOR AREA (FLR DRN)
W. CORRIDOR AUX BLDG (5 FLR DRNS)

FLR EL. 115'
EMERGENCY SHOWER & EYE WASH (FLR DRN)
SHOWER AREA (FLR DRN)
CORRIDOR (8 FLR DRNS)
DRUM HOIST AREA (2 FLR DRNS)
SPENT RESIN STORAGE TKS (2 FLR DRNS)
SPENT RESIN STORAGE TK 0-1, 0-2 (4 FLR DRNS)
BORIC ACID STORAGE TKS (1-1, 1-2) (2 FLR DRNS)
BORIC ACID STORAGE TKS (2-1, 2-2) (2 FLR DRNS)
EVAP CONDENSATE DEMIN 1-1, 1-2 (2 FLR DRNS)
B.A. CONC. HLDG. 0-2 & PP 0-3 & 0-4 (2 EQ. DRNS)
B.A. COND. HLDG. TK. 0-2 & PP 0-3 (EQ. DRN)
WASTE CONCENTRATE (EQ. DRN)
EVAP COND DEMIN 2-1, 2-2 (2 FLR DRNS)
ION EXCHANGER 2-1, 2-2, 2-3, 2-4 (4 FLR DRNS)
DRUM STORAGE AREA (FLR DRN)
TRENCH DRUM STORAGE AREA (2 FLR DRNS)
ION EXCHANGER 1-1, 1-2, 1-3, 1-4 (4 FLR DRNS)
SOUTH CORRIDOR (6 FLR DRNS)
WEST CORRIDOR AUX BLDG (6 FLR DRNS)

FLR EL. 125'
B.A. CONCENTRATES HOLDING TK 0-2 (FLR DRN)
B.A. CONCENTRATES HOLDING TK 0-1 (EQ. DRN) (FLR DRN)

FLR EL. 140'
DECONTAMINATION WASH DOWN AREA (EQ. DRN) (FLR DRN)
HOT SHOP AREA (FLR DRN)
RAMP AREA (FLR DRN)
RESIN & WATER SENSOR AREA (FLR DRN)
WELDING AREA (FLR DRN)

FLR EL. 85'
PENETRATION AREA (EQ. DRN)
(5 FLR DRNS)
FUNNEL GW-1 (EQ. DRN)
FUNNEL GW-2 (EQ. DRN)
FLR EL. 100'
PENETRATION AREA (6 FLR DRNS)
FUNNEL GW-3 (EQ. DRN)
FUNNEL GW-4 (EQ. DRN)
FUNNEL GW-5 (EQ. DRN)
FLR EL. 115'
PENETRATION AREA (5 FLR DRNS)
FUNNEL GW-6 (EQ. DRN)
FUNNEL GW-7 (EQ. DRN)
EQUIP HATCH AREA (EQ. DRN)
FLR EL. 140'
FUNNEL GW-9 (EQ. DRN)
FUNNEL GW-10 (EQ. DRN)
PLANT VENT ROOF (EQ. DRN)
FLR EL. 163'
CCW SURGE TK 1-1 & 2-1 (FLR DRN)

FLR EL. 73'
CCW PIPE TRENCH (FLR DRN)
STORAGE TRENCH (FLR DRN)
CCW PP 2-1 (EQ. DRN) (FLR DRN)
CCW PP 2-2 (EQ. DRN) (FLR DRN)
CCW PP 2-3 (EQ. DRN) (FLR DRN)
FLR EL. 77'
PULL BOX (4 FLR DRNS)
FLR EL. 79'
PULL BOX (FLR DRN)
FLR EL. 85'
GW OUTSIDE RCA (4 FLR DRNS)

FLR EL. 73'
VENT CORRIDOR (3 FLR DRNS)
CHARGING PP 2-3 (FLR DRN)
ELECTRICAL PNL MCC RM (FLR DRN)
FLR EL. 80'
PULL BOX (FLR DRN)
FLR EL. 85'
AIR SUPPLY WELL RM (EQ. DRN)
DRUM STORAGE RM (2 FLR DRNS)
EXHAUST AIR RM (FLR DRN)
AUX BLDG CONT PNL RM (2 FLR DRNS)
FLR EL. 100'
55-A F I 292
PLANT AIR VENT RM (EQ. DRN)
MOTOR DRIVEN AUX FD PP 2-2, 2-3 (EQ. DRN)
SPENT FUEL POOL FILTER RM (FLR DRN)
SPENT FUEL POOL HT EXCHANGER 2-1 (EQ. DRN)
SPENT FUEL SKIMMER PP (EQ. DRN)
SPENT FUEL POOL PP 2-1 (EQ. DRN)
SPENT FUEL POOL SUMP PIT (FLR DRN)
FUTURE SPENT FUEL POOL PP (EQ. DRN)
REFUELING WTR PURIFICATION PP 2-1 (EQ. DRN)
PRIMARY WTR PPS 2-1, 2-2 (EQ. DRN)
FUNNEL GE-3 (EQ. DRN)
PENETRATION AREA STAIR CORRIDOR (2 FLR DRNS)
CORRIDOR (6 FLR DRNS)
FLR EL. 115'
PLANT AIR VENT RM
CASK DECONTAMINATION AREA (2 FLR DRNS)
RR TRACK AREA (6 FLR DRNS)
PENETRATION AREA (FLR DRNS)
CORRIDOR (4 FLR DRNS)
FUNNEL GE-7 (EQ. DRN)
FUNNEL GE-8 (EQ. DRN)
FLR EL. 140'
PLANT VENT ROOF (EQ. DRN)
NEW FUEL STORAGE (FLR DRN)
SPENT FUEL POOL WALKWAY (FLR DRN)
CRANE RAIL (4 FLR DRNS)
STAIR TRENCH (FLR DRN)
CORRIDOR (5 FLR DRNS)

FLR EL. 73'
BORON INJ TK 2-1
ROOM (EQ. DRN)
(FLR DRN)

FLR EL. 73'
CONTMT SPRAY PPS (FLR DRN)
SPRAY ADDITIVE TK 2-1 (FLR DRN)
FLR EL. 85'
LETDN HT EXCHANGER 2-1 (FLR DRN)
SEAL WTR HT EXCHANGER 2-1 (FLR DRN)

FLR EL. 60'
EMER. AIR COMPRS (4 EQ. DRNS)
AIR DRYER
LAUNDRY PPS
EMER AIR RCVR UNIT 1 (3 EQ. DRNS)
RADWASTE GAS COMPR 1-1, 2-1, 0-1
GAS DECAY TK CUBICLES 1-1, 1-2, 1-3, 1-4
FLR EL. 64'
N. CORRIDOR (2 EQ. DRNS)
RADWASTE COMPR CORRIDOR

FLR EL. 73'
CONTMT SPRAY PP 2-1, 2-2 (2 EQ. DRNS)
SPRAY ADDITIVE TK 2-1 (EQ. DRN)
FLR EL. 85'
RHR HX 2-1 TO SI PP 2-1 SUC HDR
FUNNEL GE-1 (EQ. DRN)
PENETRATION AREA (5 FLR DRNS)
FUNNEL GE-2 (EQ. DRN)
CCW SUPPLY & RETURN HDR VLV'S (EQ. DRN)
FLR EL. 100'
CORRIDOR (7 FLR DRNS)
BORIC ACID BLENDER (2 FLR DRNS)
PENETRATION AREA (FLR DRN)
VCT 2-1 (FLR DRN)
SAMPLE HT EXCHANGER 2-1, 2-2 (FLR DRN)
SAMPLE SINK AREA (FLR DRN)
FLR EL. 115'
PENETRATION AREA (3 FLR DRNS)
FUNNEL GW-8 (EQ. DRN)
FUNNEL GE-4 (EQ. DRN)
FUNNEL GE-5 (EQ. DRN)
EQUIP HATCH AREA (3 FLR DRNS)

FLR EL. 85'
LAUNDRY RM
LAUNDRY RM FOLDING AREA
ELEVATOR PIT NO. 1
FLR EL. 60'
STORAGE ROOM
EMERGENCY AIR COMPR
AIR DRYER
EMERGENCY AIR COMPR (3 EQ. DRNS)
EMERGENCY AIR RCVR (3 EQ. DRNS)
GAS DECAY TK CUBICLE 2-1, 2-2, 2-3, 2-4
FLR EL. 64'
S. CORRIDOR (2 EQ. DRNS)

68-A 08
LIQUID HOLD-UP TKS
RV DISCH HDR

FLR EL. 58'
BORON INJ VLV GALLERY
FLR EL. 60'
VENT ROOM
FLR EL. 62'
BORON INJ AREA (2 EQ. DRNS)

FLR EL. 73'
CHRG PP 2-1, 2-3, 2-3 (3 EQ. DRNS)
RHR 2-1, 2-2 (2 EQ. DRNS)
FLR EL. 85'
SAFETY INJ PP 2-1, 2-2 (2 EQ. DRNS)
CONDENSATE COLLECTION TK (2 EQ. DRNS)
SAMPLE RM (EQ. DRN) (FLR DRN)
SAMPLE PANEL 2-1, 2-3 (2 EQ. DRNS)
SAMPLE PANEL NO. 2 CHILLER (FLR DRN)
SAMPLE PANEL (FLR DRN)
FLR EL. 100'
MOTOR DRIVEN AUX FD PP 2-1, 2-2 (FLR DRN)
MOTOR DRIVEN AUX FD PP AREA (FLR DRN)
TURBINE DRIVEN AUX FD PP 2-1 (EQ. DRN)
EAST CORRIDOR (FLR DRN)
MAKE-UP WTR PPS (EQ. DRN)
LIGHTING DISTRIBUTION PNL 24 (FLR DRN)
FLR EL. 115'
DRUMMING CONVEYOR RM TRENCH (FLR DRN)
DRUMMING CONVEYOR RM (EQ. DRN) (7 FLR DRNS)
DRUM STORAGE AREA TRENCH (3 FOR DRNS)
DRUM STORAGE AREA (FLR DRN)
FUEL HANDLING RM (4 FLR DRNS)
SOLID RADWASTE STORAGE FACILITY (FLR DRN)
FLR EL. 125'
FUEL STORAGE RM (2 FLR DRNS)
FLR EL. 132'
LAUNDRY/RESPIRATOR CLEANING
FACILITY (2 FLR DRNS)
FLR EL. 135'
AUX BLDG ROOF DRNS
FLR EL. 140'
EQUIP HATCH AREA (2 FLR DRNS)
FLR EL. 142'
LAUNDRY/RESPIRATOR CLEANING
MEZZANINE (2 FLR DRNS)

FLR EL. 54'
S. CORRIDOR
FLR EL. 60'
GAS STRIPPER FD PP
LHT RECIRC PP 2-1
LAUNDRY/DISTILLATE TKS

SHT 6

F I 296 SHT 6

0-713 0-776 F I 271 50-A

F I 290
FLR EL. 115'
PENETRATION AREA FLR DRN
(FLR DRN)

F I 283

F I 292

F I 293

F I 294

F I 284

2-712 F I 284
2-715 VD DRN
SYS FHB
STAIRWAY

FLR EL. 60'
S. CORRIDOR
AUX BLDG (4 EQ. DRNS)

FLR EL. 60'
GAS STRIPPER FD PP
LHT RECIRC PP 2-1
LAUNDRY/DISTILLATE TKS

LOOPS: LOOP G (0-125), LOOP H (0-126), LOOP I (0-127), LOOP K (0-128), LOOP L (0-129), LOOP M (0-130), LOOP N (0-131)

AUXILIARY BUILDING SUMP & PUMPS

(OPEN DRAIN SYSTEM)

E

D

C

B

A

LR BOUNDARY DRAWING NO.	REV.
LR-DCPP-19-106719-07	0

80

81

82

83

84

85

86

87

88

89

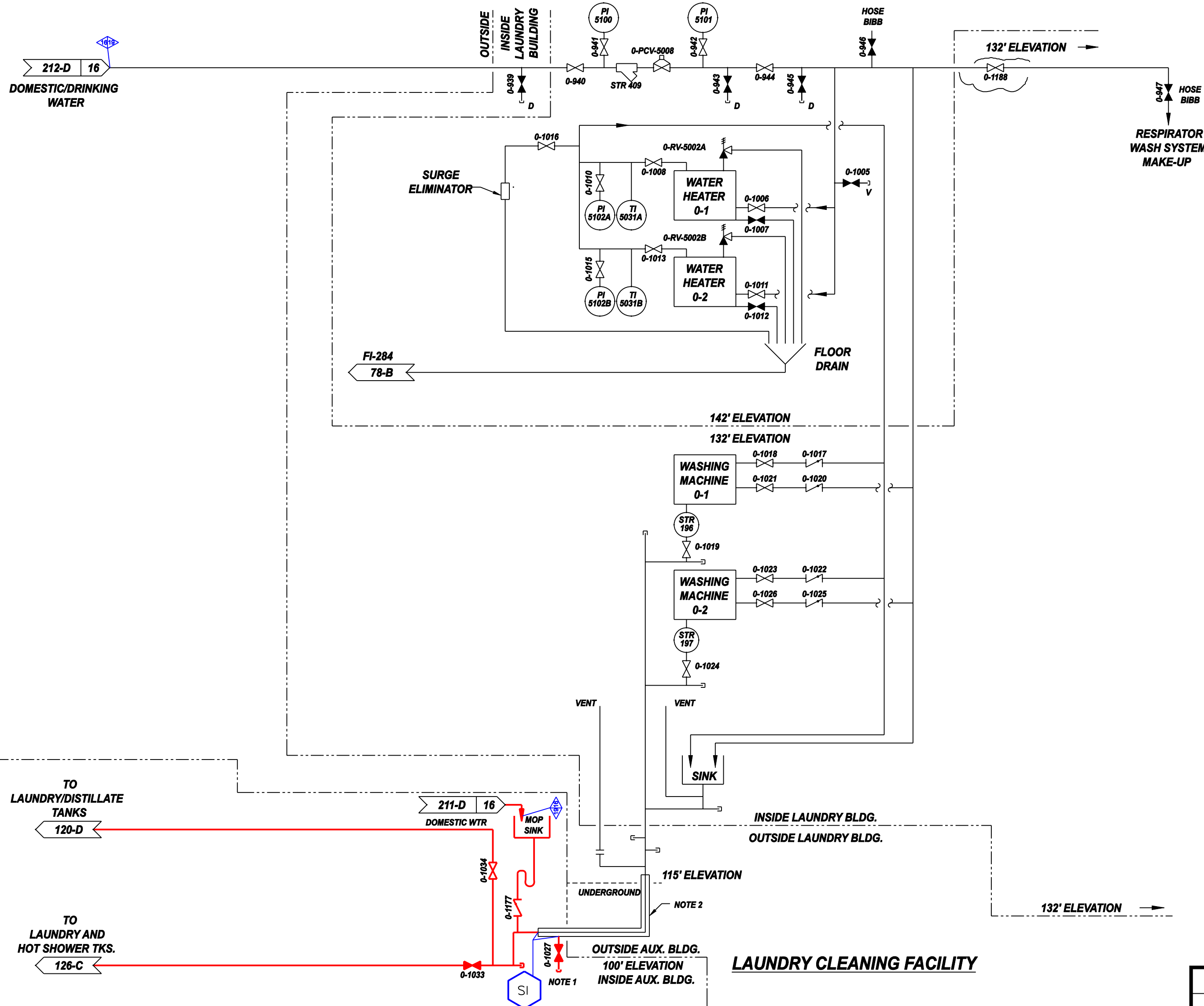
E

D

C

B

A

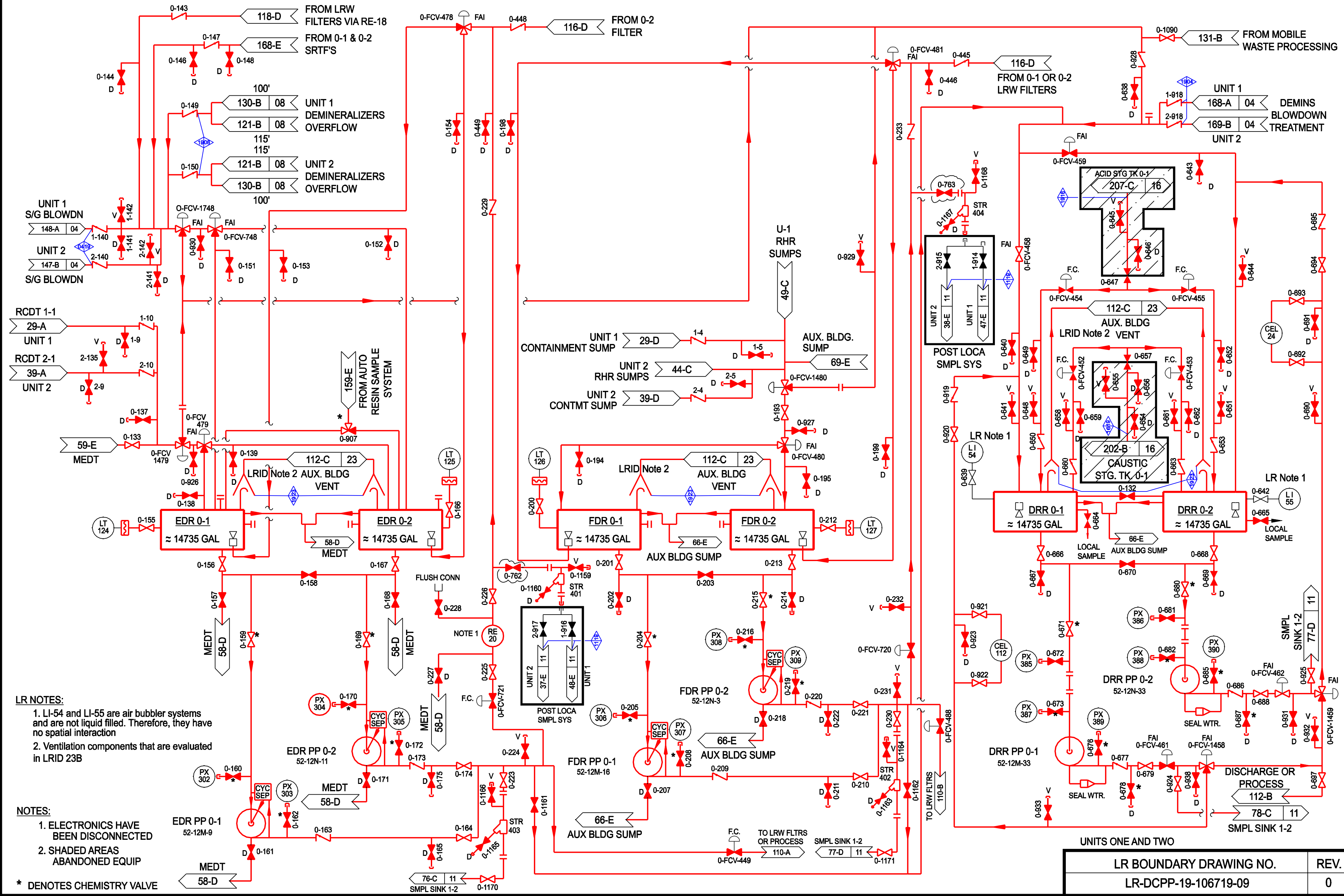


NOTES

- 1. LEAK DETECTION VALVE.
- 2. UNDERGROUND PIPE WITHIN A PIPE.

UNITS ONE AND TWO

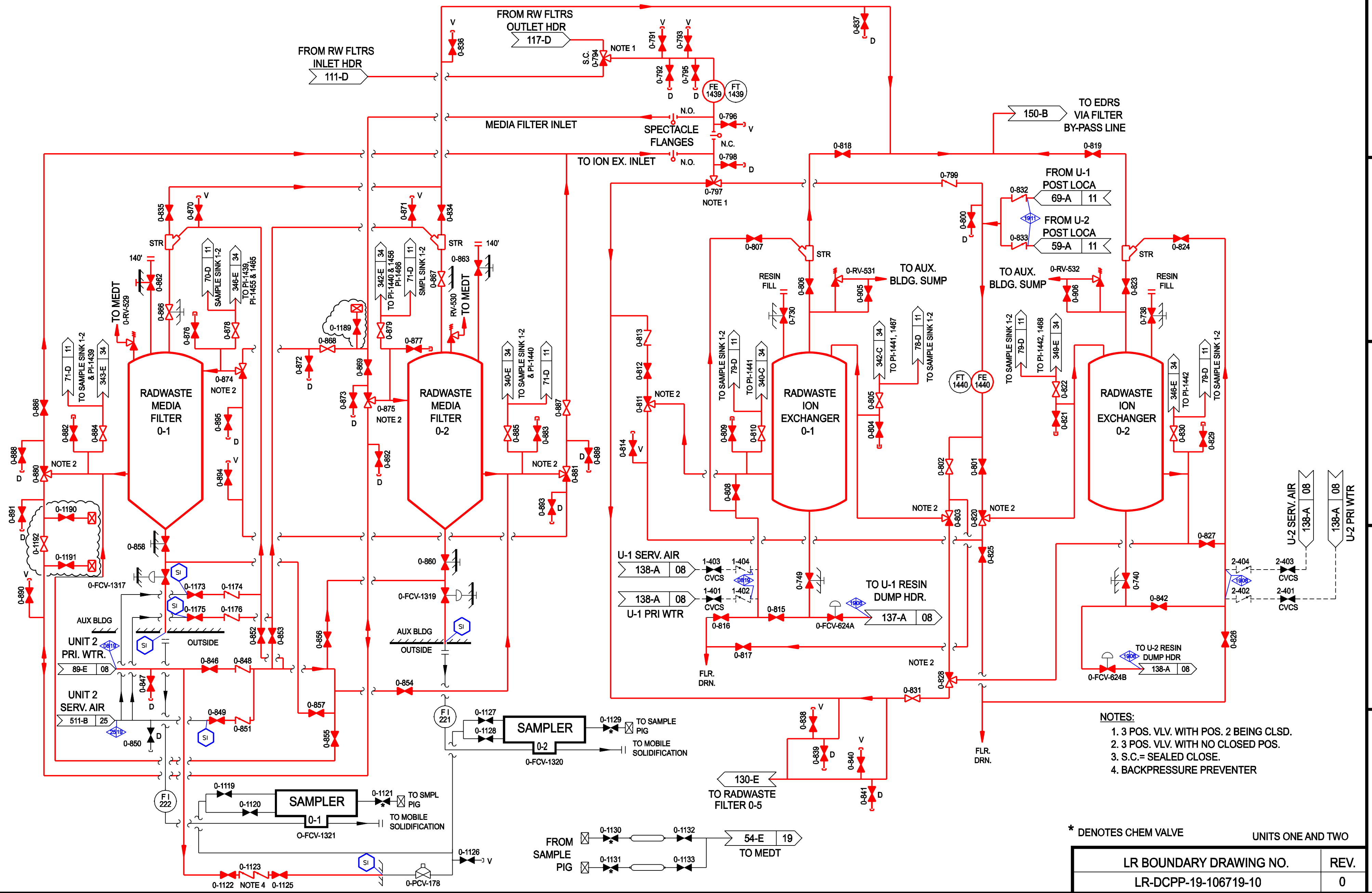
LR BOUNDARY DRAWING NO.	REV.
LR-DCPP-19-106719-08	0



NOTES:
 1. ELECTRONICS HAVE BEEN DISCONNECTED
 2. SHADED AREAS ABANDONED EQUIP

* DENOTES CHEMISTRY VALVE

UNITS ONE AND TWO	LR BOUNDARY DRAWING NO.	REV.
	LR-DCPP-19-106719-09	0



- NOTES:**
1. 3 POS. VLV. WITH POS. 2 BEING CLSD.
 2. 3 POS. VLV. WITH NO CLOSED POS.
 3. S.C.= SEALED CLOSE.
 4. BACKPRESSURE PREVENTER

* DENOTES CHEM VALVE UNITS ONE AND TWO

LR BOUNDARY DRAWING NO.	REV.
LR-DCPP-19-106719-10	0

110

111

112

113

114

115

116

117

118

119

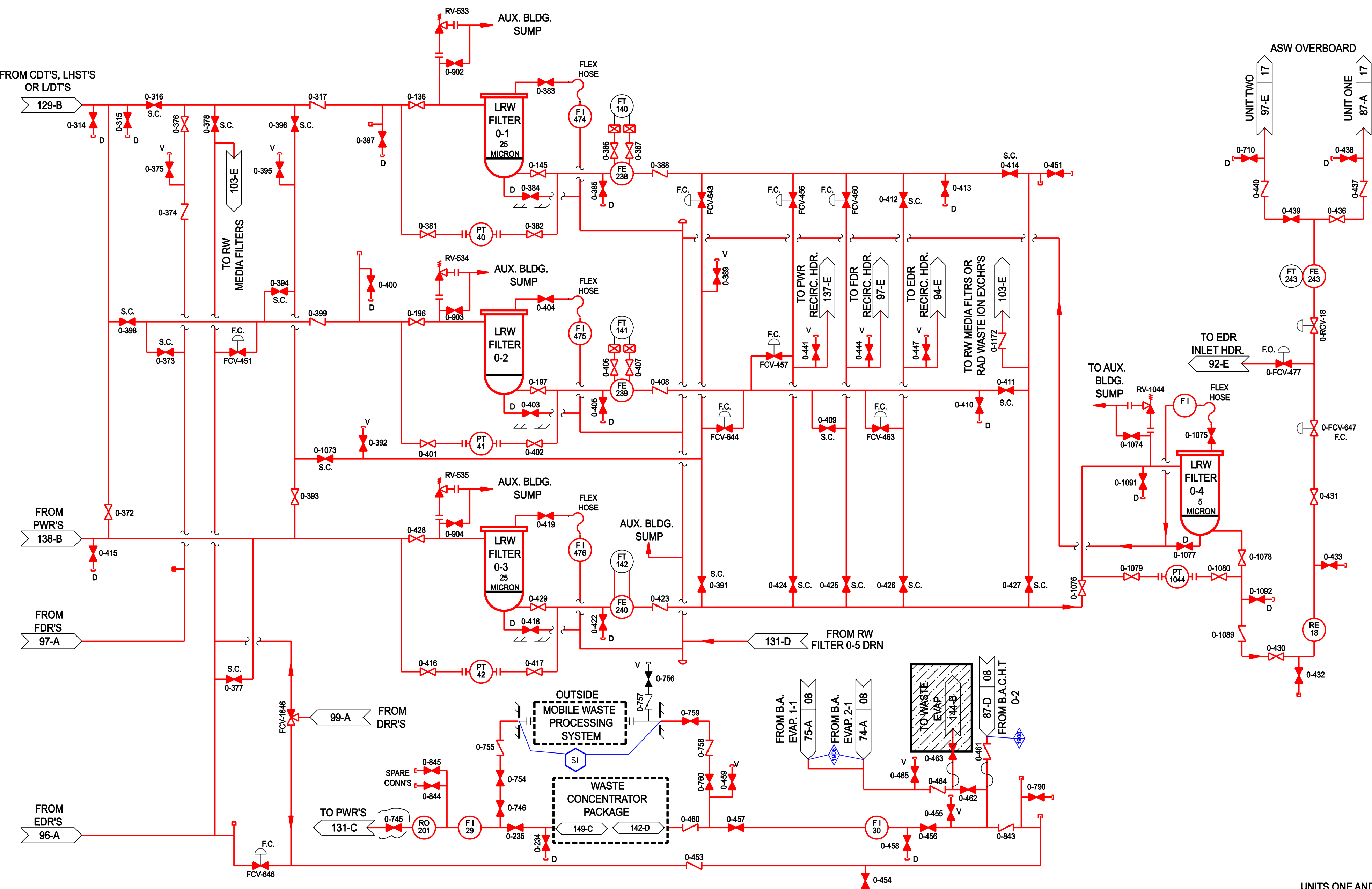
E

D

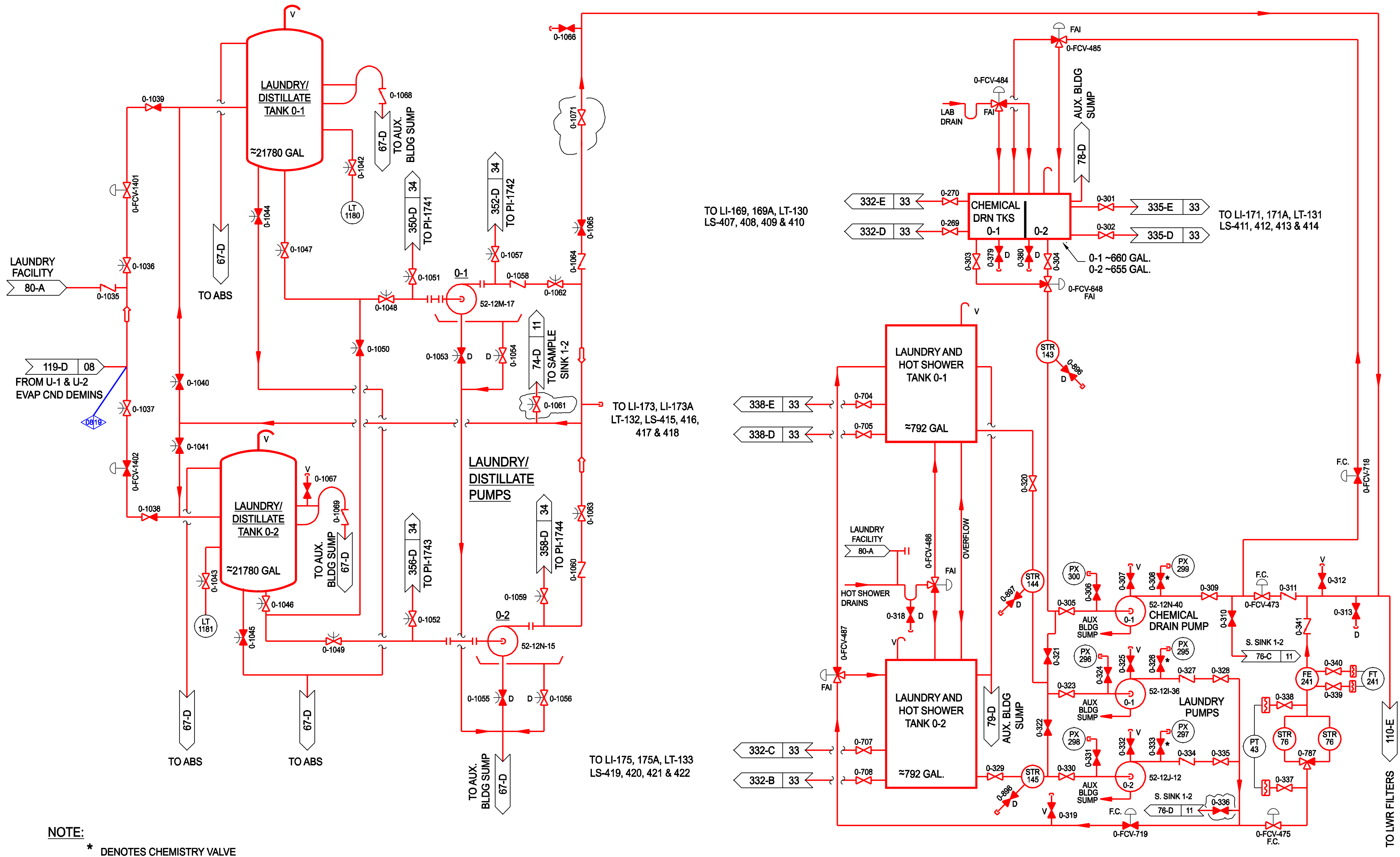
C

B

A

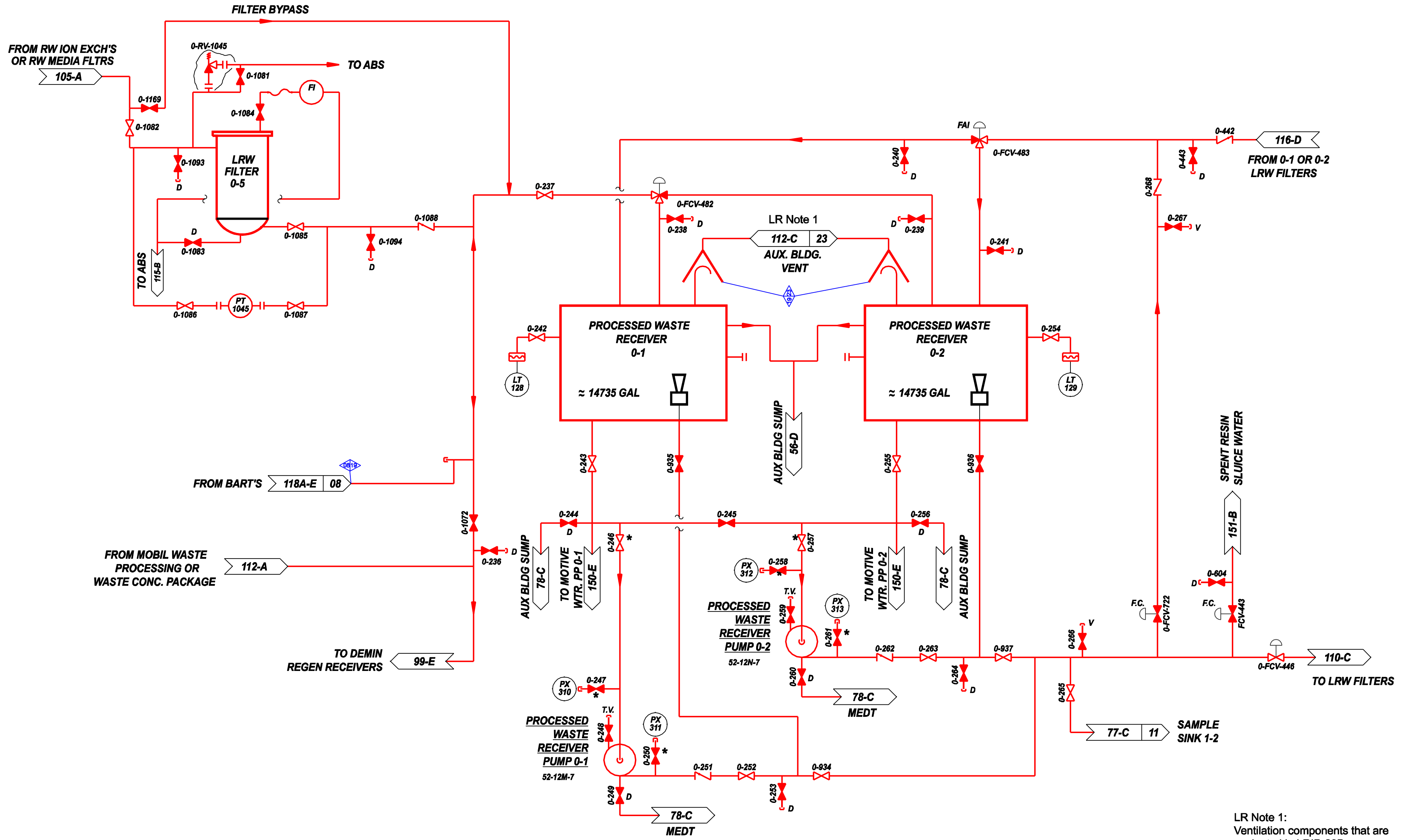


UNITS ONE AND TWO	
LR BOUNDARY DRAWING NO.	REV.
LR-DCPP-19-106719-11	0



NOTE:
* DENOTES CHEMISTRY VALVE

UNITS ONE AND TWO	
LR BOUNDARY DRAWING NO.	REV.
LR-DCPP-19-106719-12	0



LR Note 1:
Ventilation components that are
evaluated in LRID 23B

* DENOTES CHEMISTRY VALVE

UNITS ONE AND TWO

LR BOUNDARY DRAWING NO.	REV.
LR-DCPP-19-106719-13	0

E
D
C
B
A

140

141

142

143

144

145

146

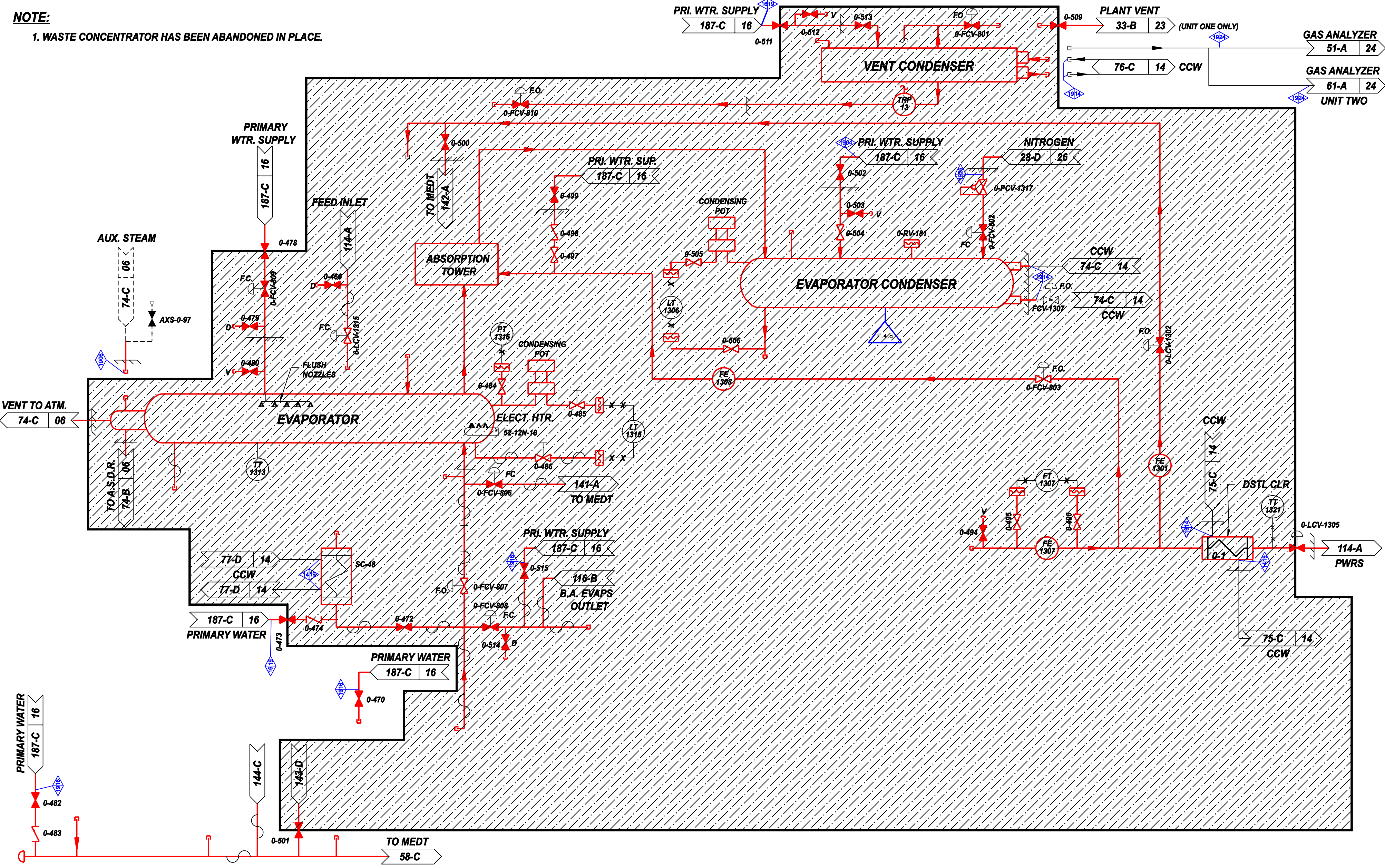
147

148

149

NOTE:

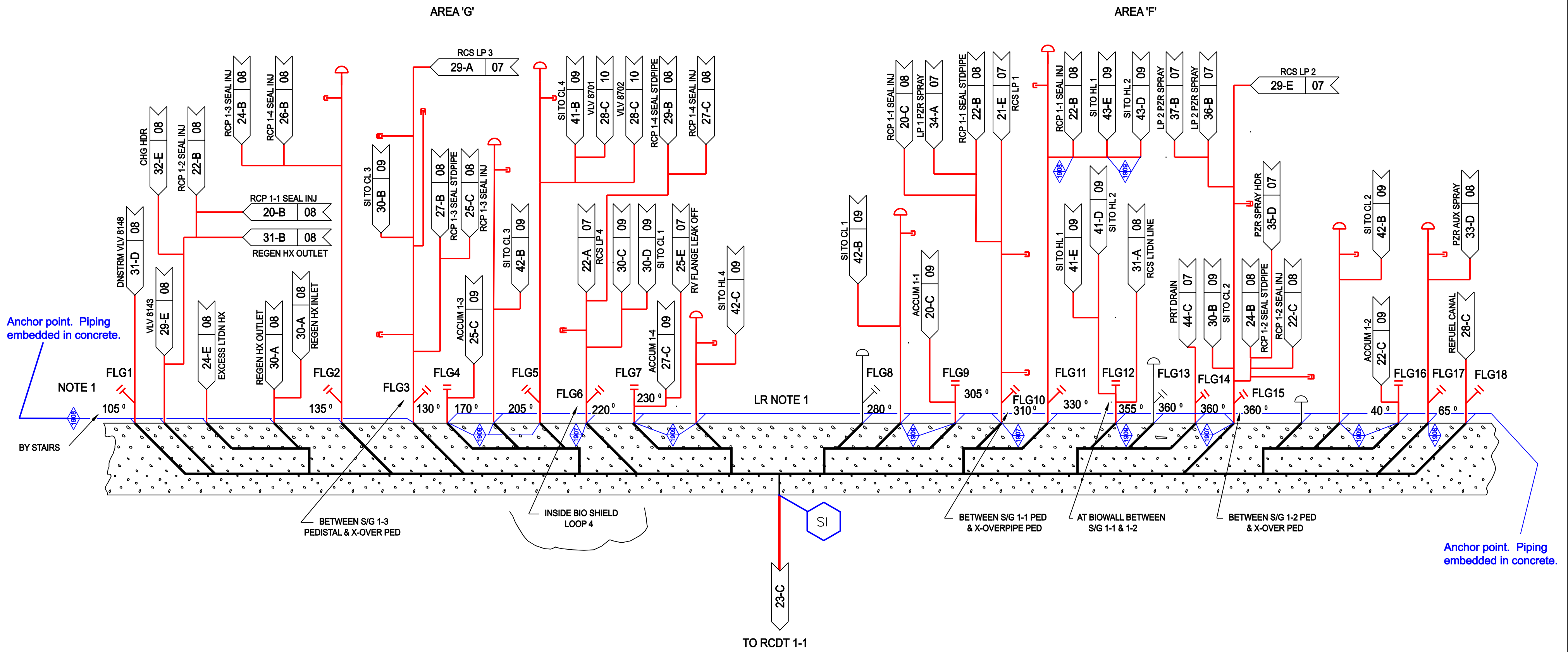
1. WASTE CONCENTRATOR HAS BEEN ABANDONED IN PLACE.



E
D
C
B
A

UNITS ONE AND TWO

LR BOUNDARY DRAWING NO.	REV.
LR-DCPP-19-106719-14	0



LR NOTES

- 1. Spatial Interaction ends where the drain piping embeds into the concrete floor.

NOTES

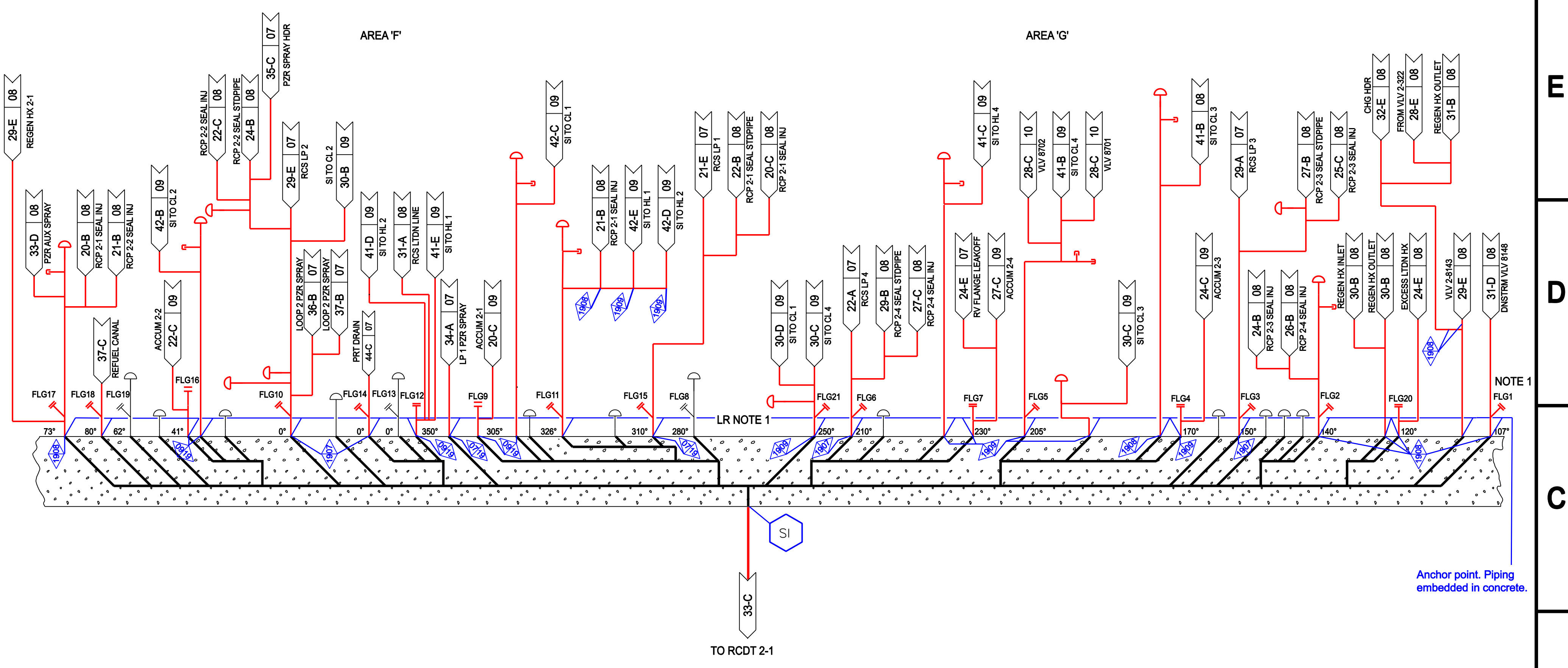
- 1. THESE FLANGES (1 THRU 18) SHOULD BE INSTALLED WHEN NOT BEING USED.
- 2. FLGS 3, 6, 10, 12, & 15 ARE INSIDE BIO WALL

U-1 CONTAINMENT EMBEDDED CLOSED DRAIN PIPING

UNIT ONE

LR BOUNDARY DRAWING NO.	REV.
LR-DCPP-19-106719-17	0

E
D
C
B
A



- LR NOTES**
- Spatial Interaction ends where the drain piping embeds into the concrete floor.
- NOTES**
- THESE FLANGES (1 THRU 21) SHOULD BE INSTALLED WHEN NOT BEING USED.

FLANGES 3, 6, 10, 15, 21 INSIDE MISSILE BARRIER

FLANGE 20 INSIDE REGEN HX RM

FLANGE 18 INSIDE REFUELING CANAL DRN RM

INSIDE MISSILE BARRIER

TO RCDT 2-1

E

D

C

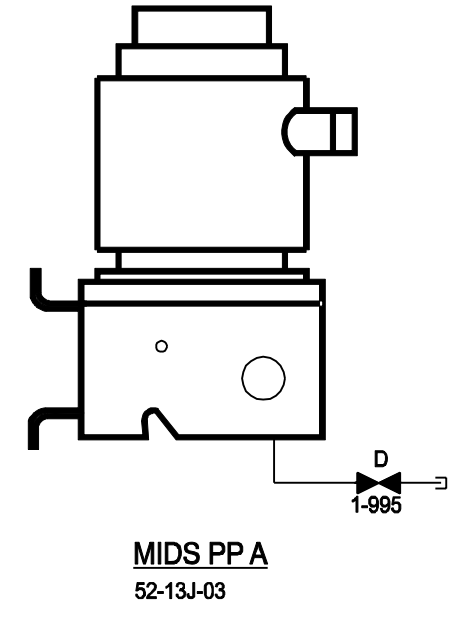
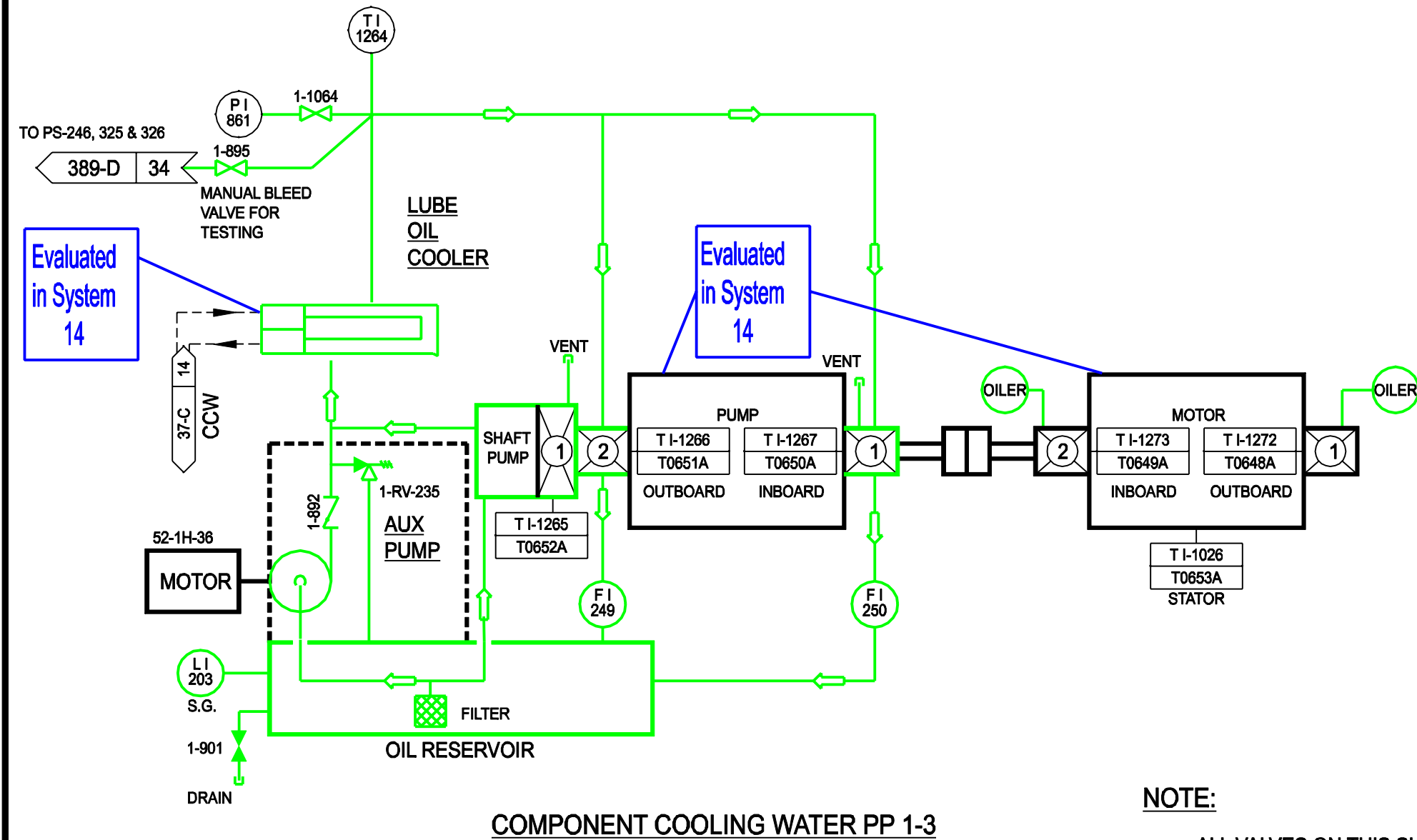
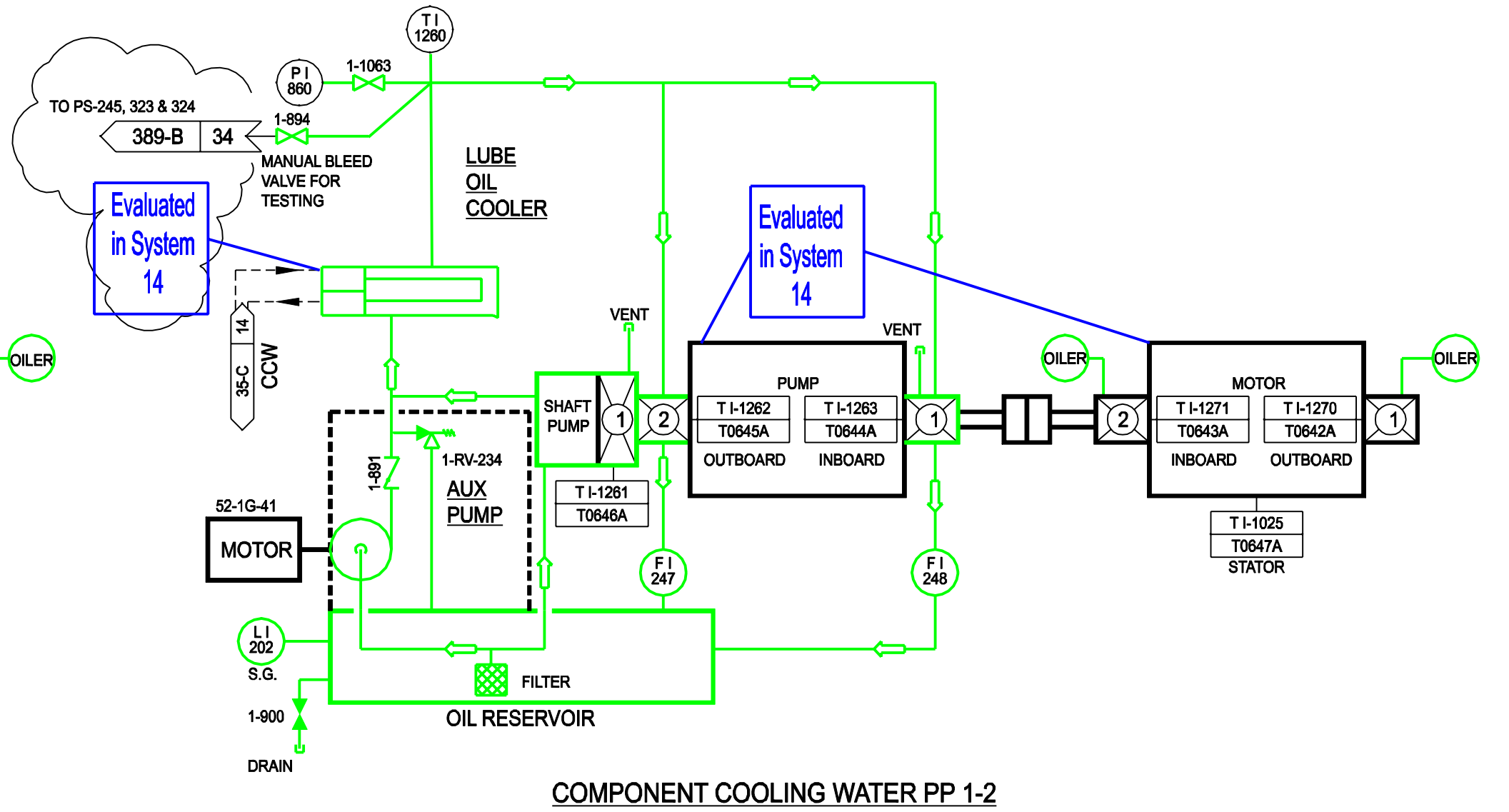
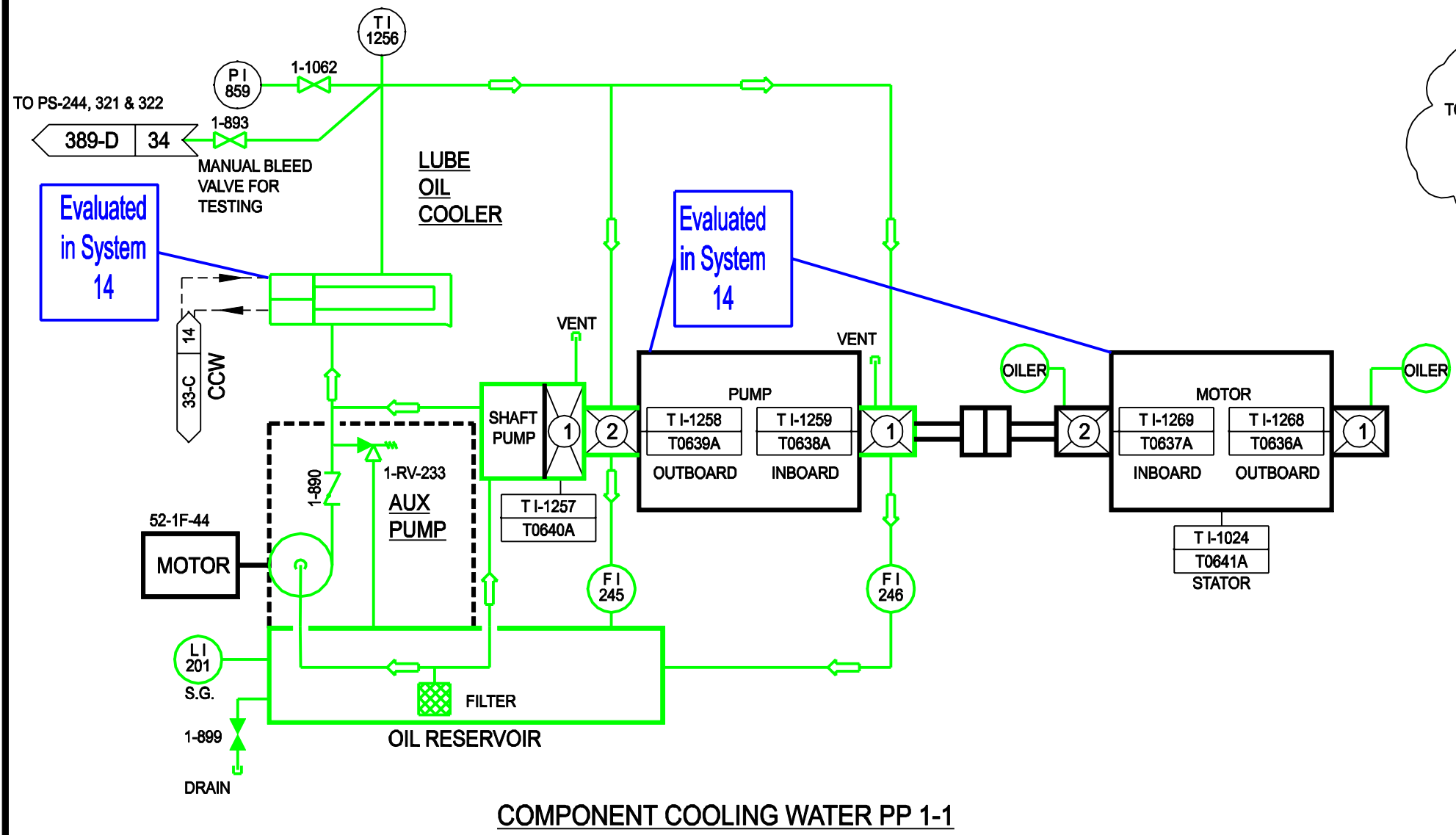
B

A

UNIT TWO

LR BOUNDARY DRAWING NO.	REV.
LR-DCPP-19-106719-18	0

U-2 CONTAINMENT EMBEDDED CLOSED DRAIN PIPING



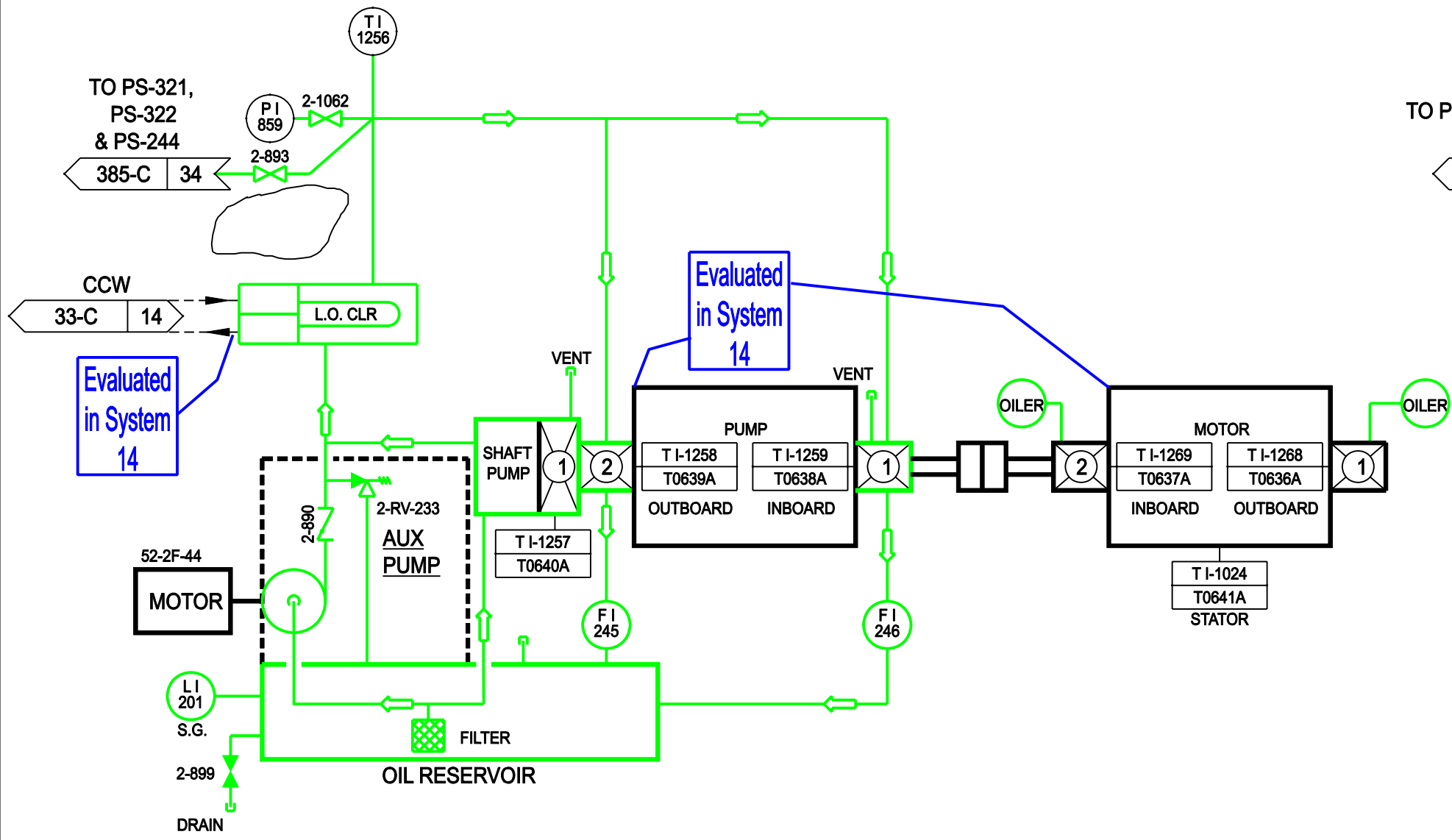
MIDS PPS DRN VLV'S & BKRS

PUMP	VLV #	BKR
A	1-995	52-13J-03
B	1-996	52-13J-04
C	1-997	52-13I-05
D	1-998	52-13I-03
E	1-999	52-13I-04
F	1-1000	52-13J-05

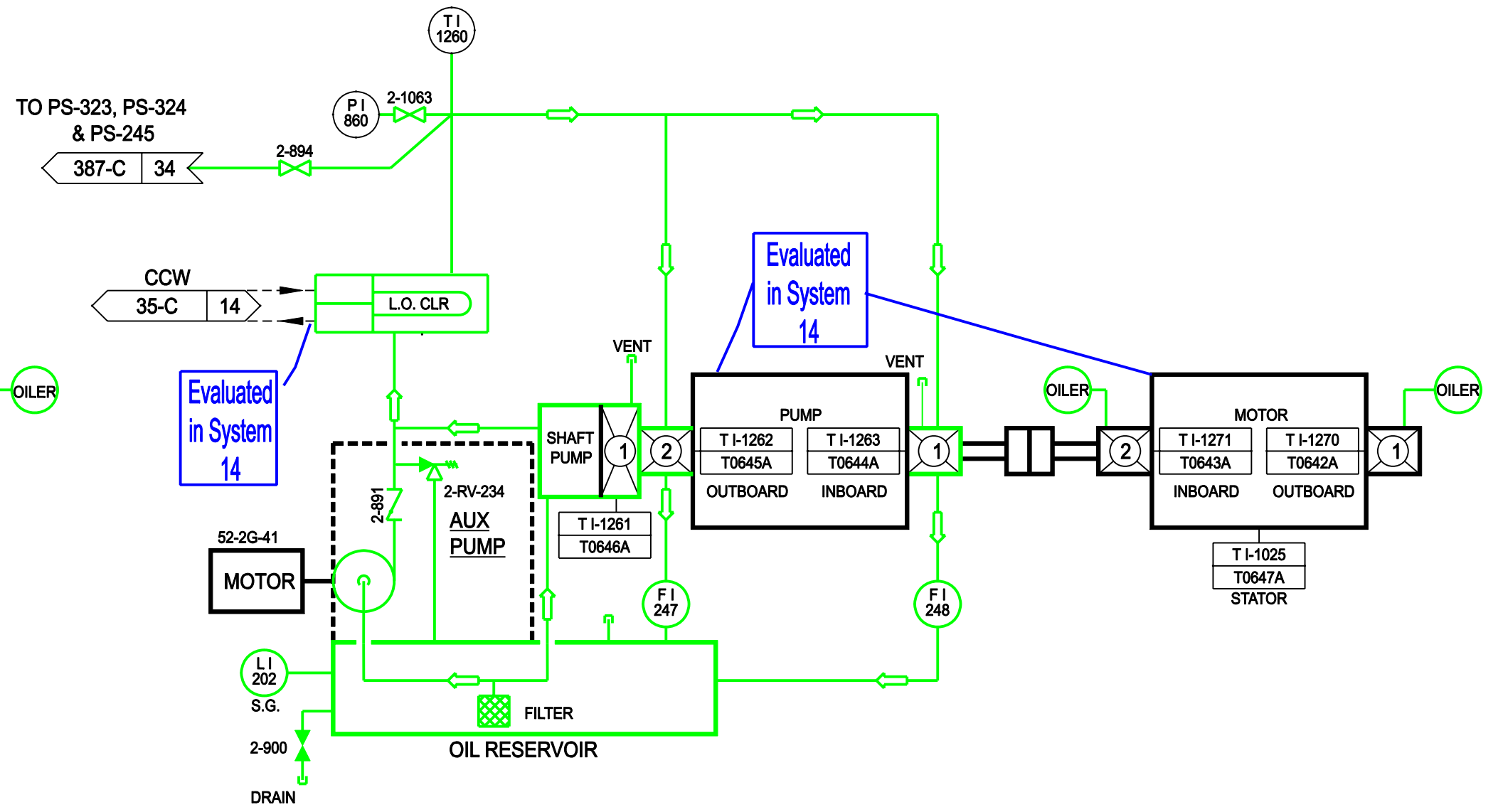
NOTE:
ALL VALVES ON THIS SHEET ARE LUBE OIL VALVES.

UNIT ONE

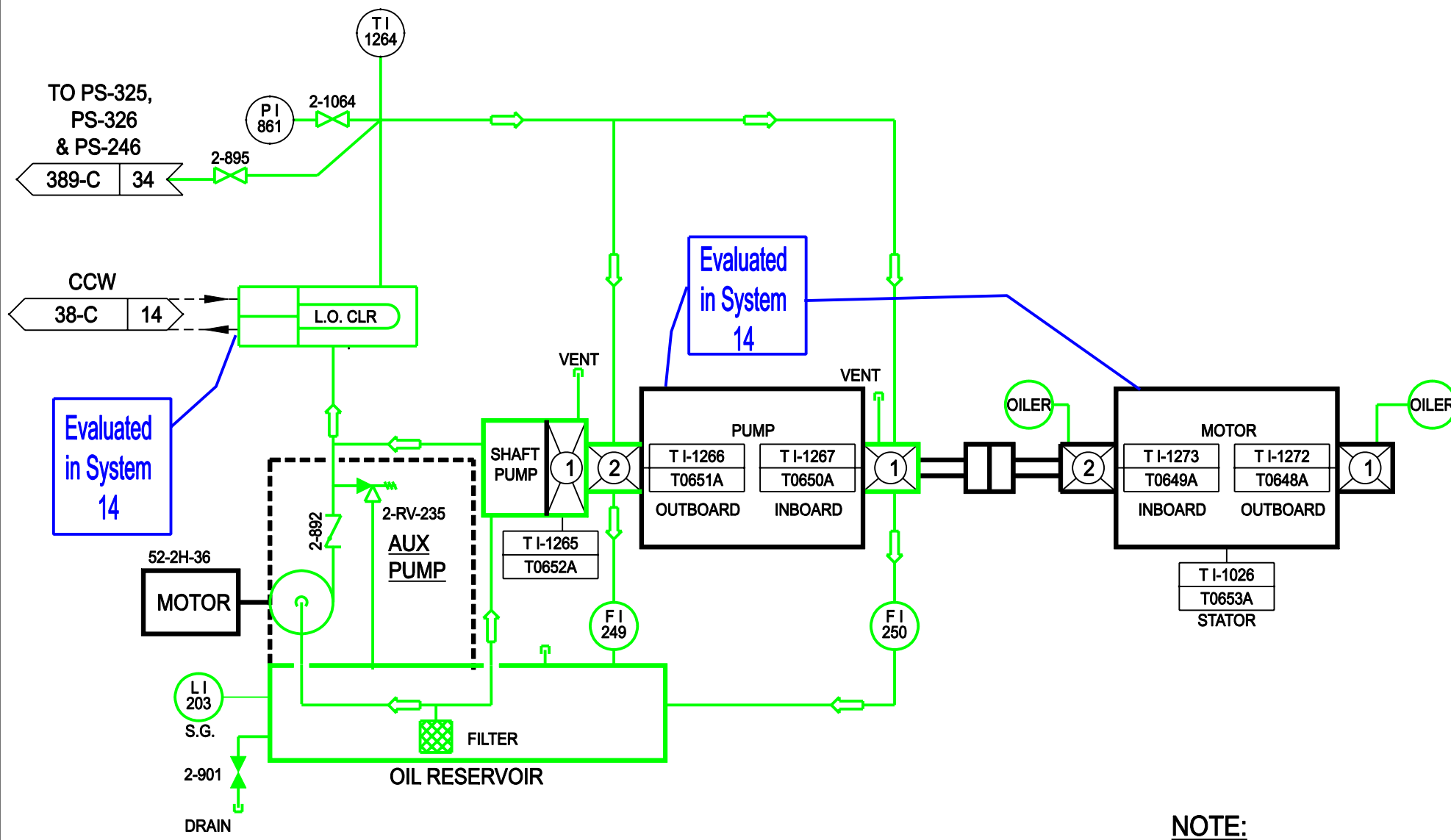
LR BOUNDARY DRAWING NO.	REV.
LR-DCPP-20-106720-12	0



COMPONENT COOLING WATER PP 2-1



COMPONENT COOLING WATER PP 2-2

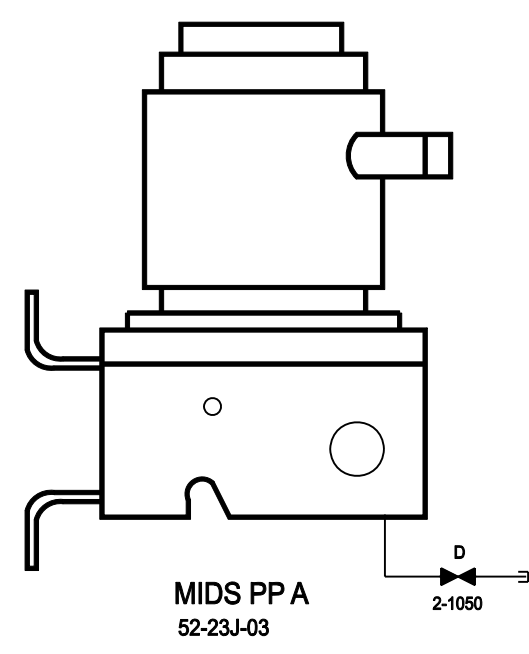


COMPONENT COOLING WATER PP 2-3

NOTE:
ALL VALVES ON THIS SHEET ARE LUBE OIL VALVES.

MIDS PPS DRN VLV'S & BKR'S

PUMP	VLV #	BKR
A	2-1050	52-23J-03
B	2-1051	52-23J-04
C	2-1052	52-23I-05
D	2-1053	52-23I-03
E	2-1054	52-23I-04
F	2-1059	52-23J-05



MIDS PP A
52-23J-03

UNIT TWO

LR BOUNDARY DRAWING NO.	REV.
LR-DCPP-20-107720-12	0

20

21

22

23

24

25

26

27

28

29

E

D

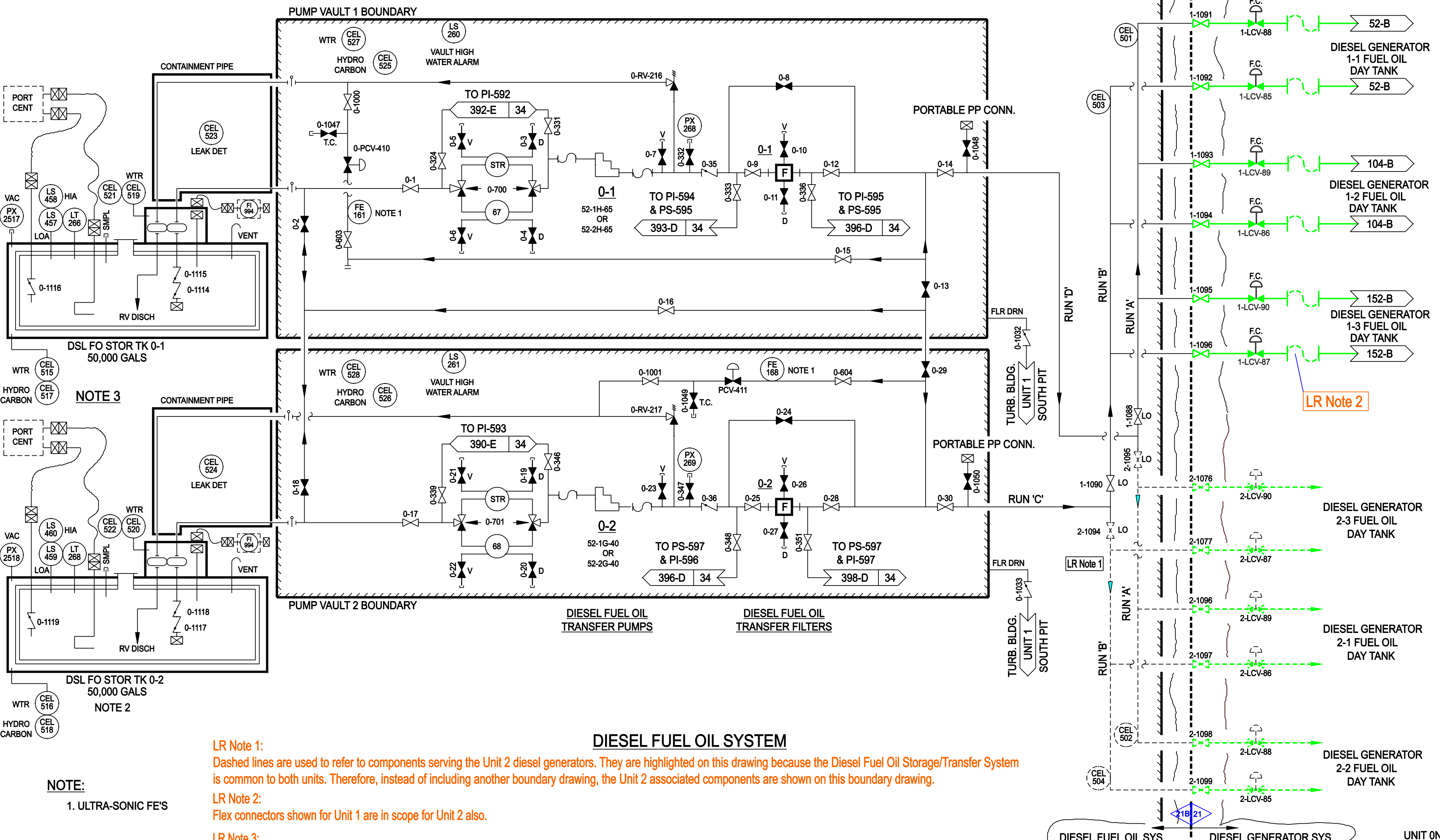
C

B

A

DIESEL FUEL OIL SYS 21B 21 DIESEL GENERATOR SYS

OUTSIDE INSIDE



DIESEL FUEL OIL SYSTEM

- LR Note 1:**
Dashed lines are used to refer to components serving the Unit 2 diesel generators. They are highlighted on this drawing because the Diesel Fuel Oil Storage/Transfer System is common to both units. Therefore, instead of including another boundary drawing, the Unit 2 associated components are shown on this boundary drawing.
- LR Note 2:**
Flex connectors shown for Unit 1 are in scope for Unit 2 also.
- LR Note 3:**
Highlighted components on this drawing are for the Diesel Generator System only.
For the Diesel Generator Fuel Transfer System (LRID 21B) components, see drawing LR-DCPP-21B-106721-02

NOTE:
1. ULTRA-SONIC FE'S

LR BOUNDARY DRAWING NO.	REV.
LR-DCPP-21-106721-02	0

30

31

32

33

34

35

36

37

38

39

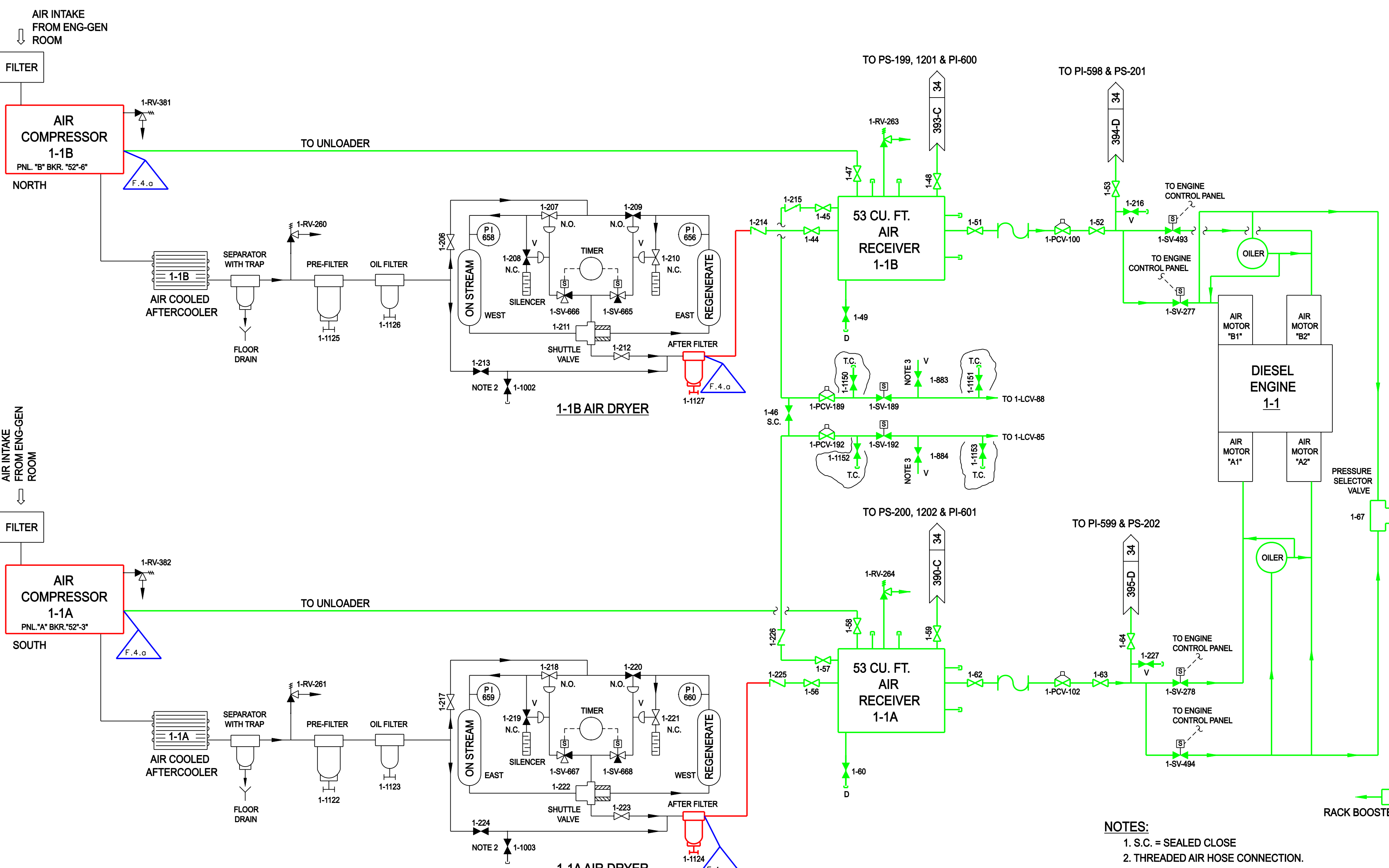
E

D

C

B

A



- NOTES:**
- 1. S.C. = SEALED CLOSE
 - 2. THREADED AIR HOSE CONNECTION.
 - 3. MELT LINKS

STARTING AIR AND DRYER SYSTEM FOR DIESEL ENGINE 1-1

UNIT ONE

LR BOUNDARY DRAWING NO.	REV.
LR-DCPP-21-106721-03	0

40

41

42

43

44

45

46

47

48

49

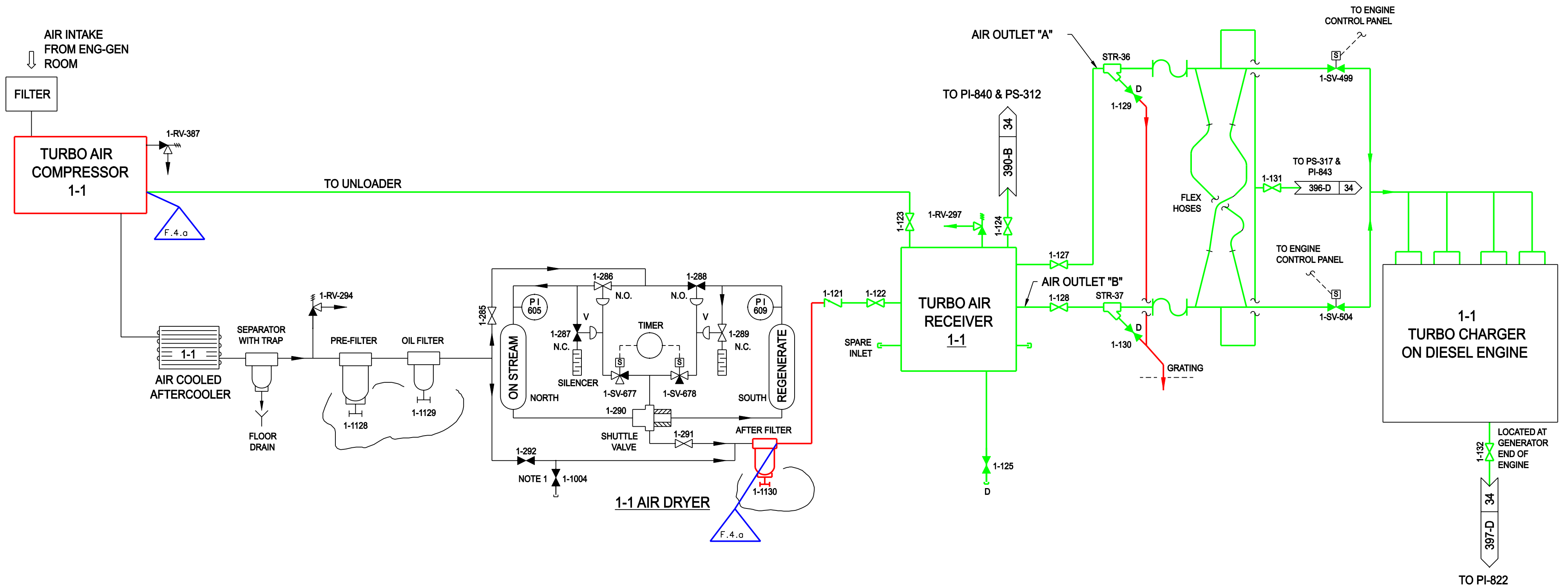
E

D

C

B

A



NOTES:

1. THREADED AIR HOSE CONNECTION.

TURBO CHARGER AIR ASSIST AND DRYER SYSTEM FOR DIESEL ENGINE 1-1

UNIT ONE

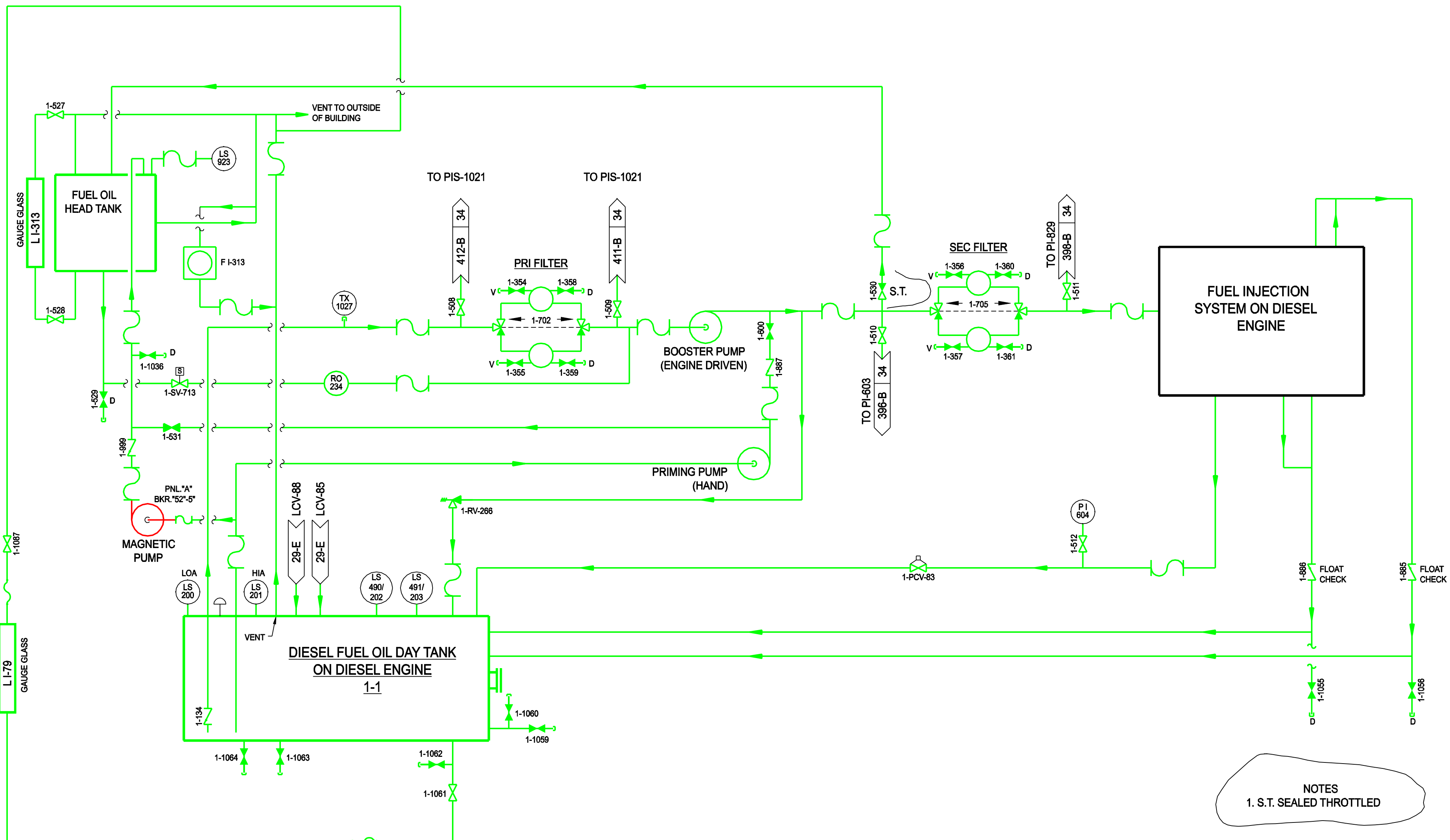
LR BOUNDARY DRAWING NO.

LR-DCPP-21-106721-04

REV.

0

106721-04-R037



NOTES
1. S.T. SEALED THROTTLED

ENGINE FUEL OIL SYSTEM
DIESEL ENGINE 1-1

UNIT ONE	
LR BOUNDARY DRAWING NO.	REV.
LR-DCPP-21-106721-05	0

60

61

62

63

64

65

66

67

68

69

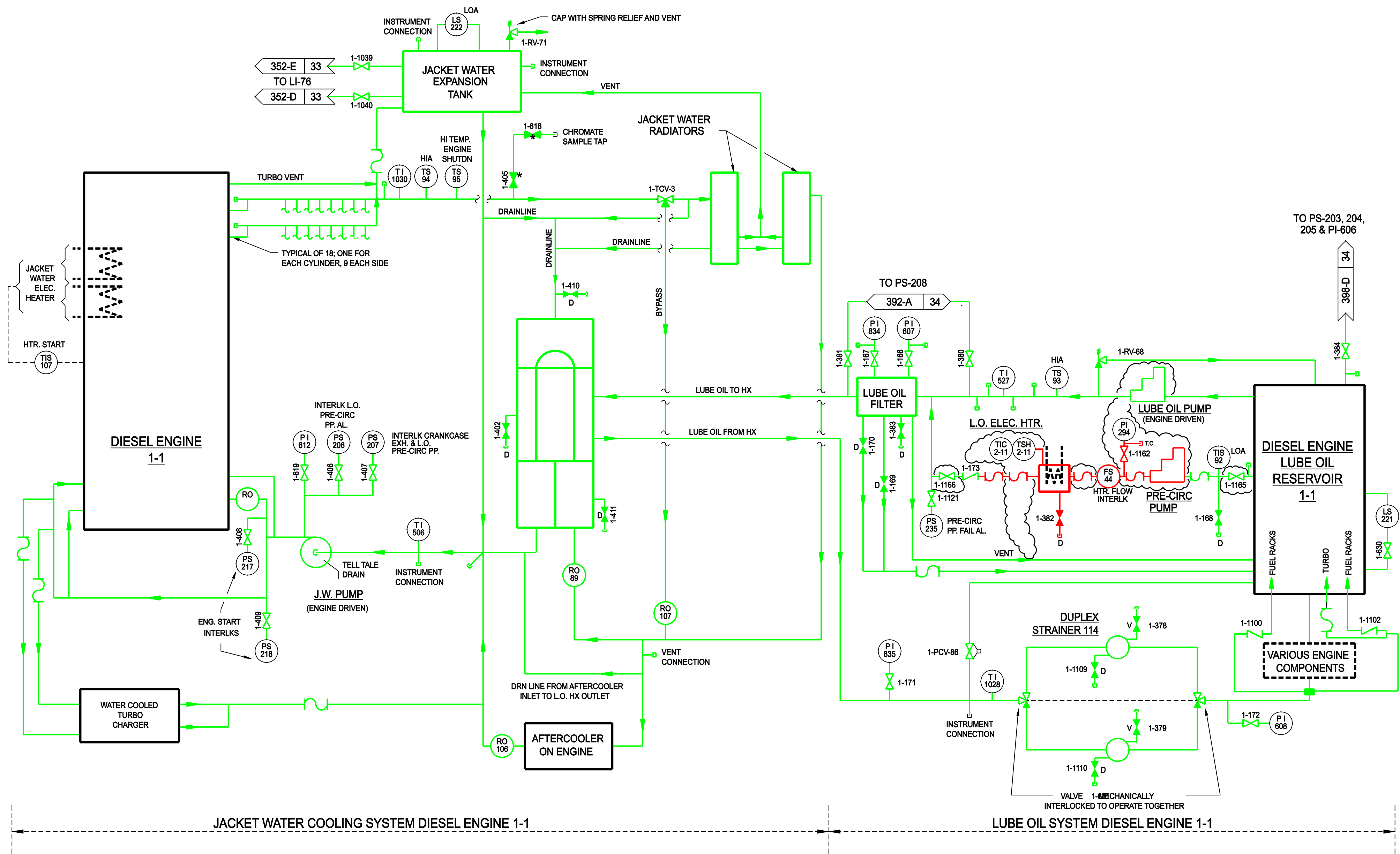
E

D

C

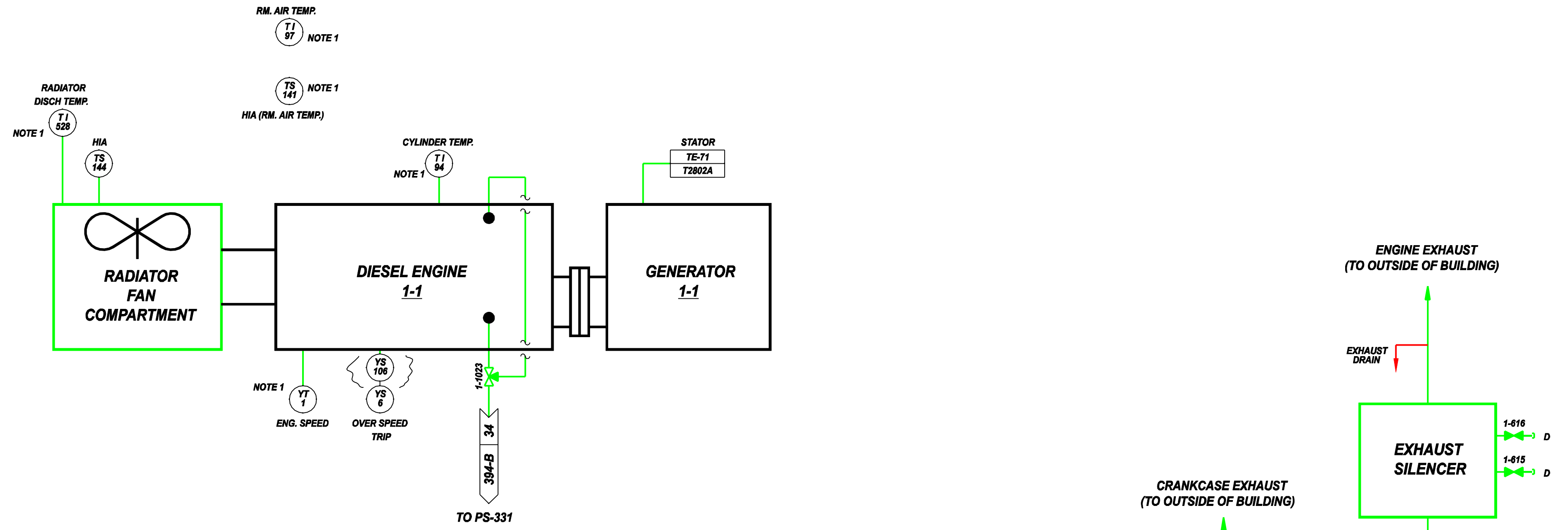
B

A

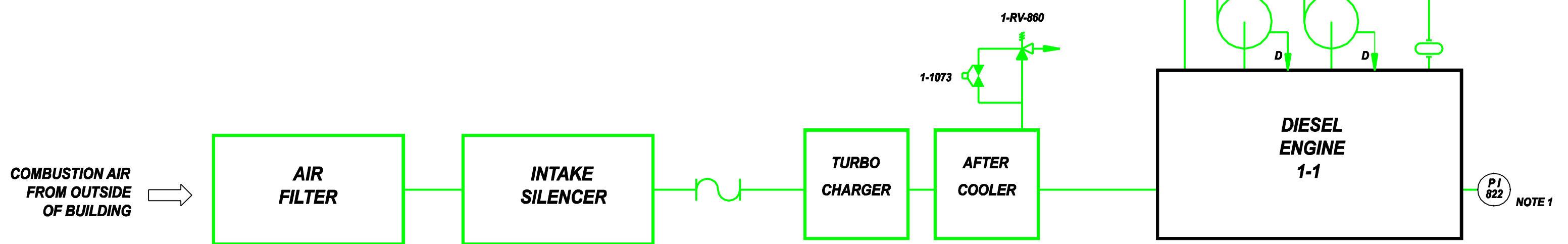


NOTES:
 * DENOTES CHEMISTRY VALVE

UNIT ONE	
LR BOUNDARY DRAWING NO.	REV.
LR-DCPP-21-106721-06	0



MISCELLANEOUS INSTRUMENTS FOR DIESEL ENGINE 1-1



COMBUSTION AIR AND EXHAUST SYSTEM FOR DIESEL ENGINE 1-1

NOTES:
1. MOUNTED ON ENGINE CONTROL PANEL

UNIT ONE	
LR BOUNDARY DRAWING NO.	REV.
LR-DCPP-21-106721-07	0

80

81

82

83

84

85

86

87

88

89

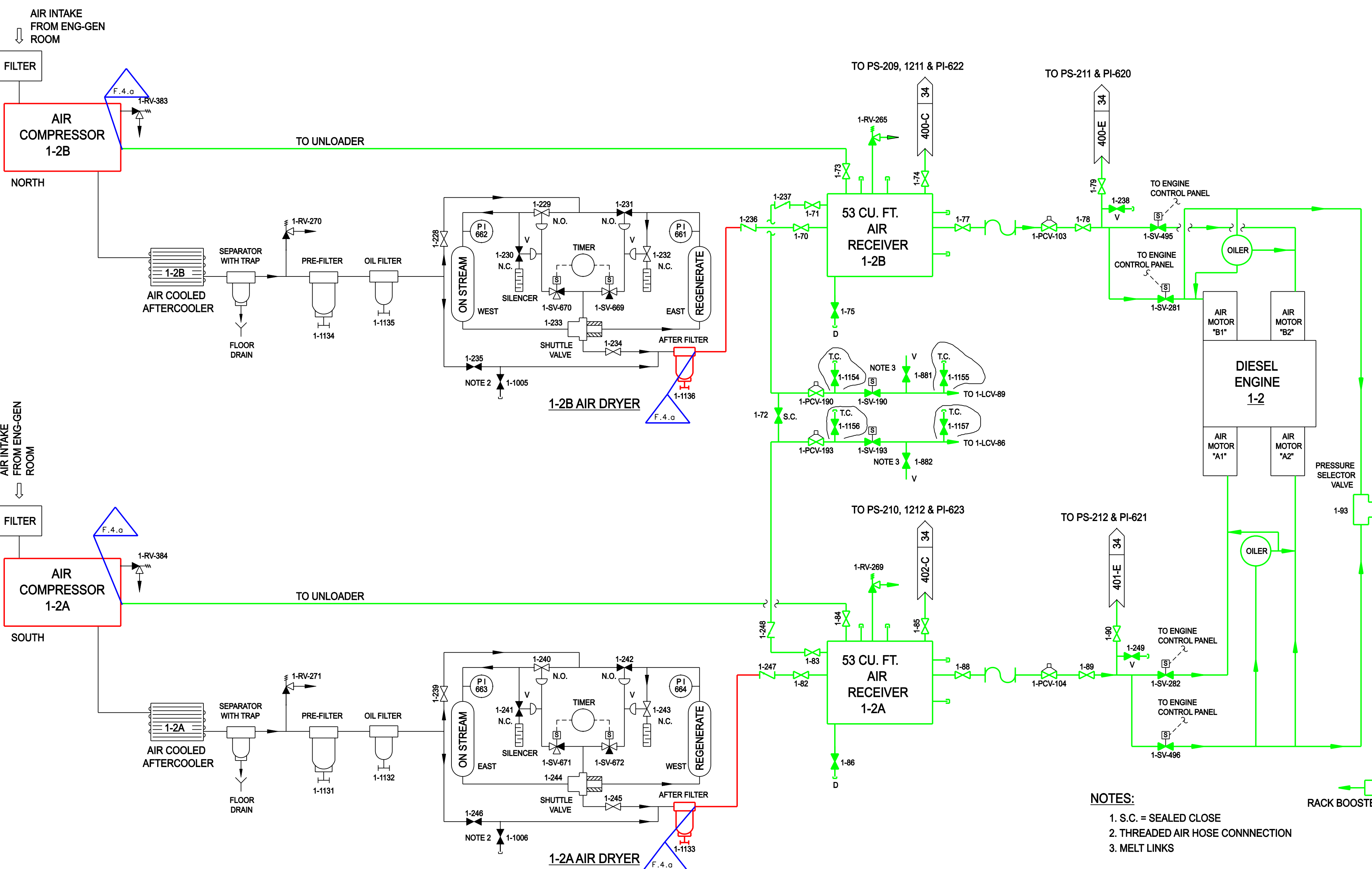
E

D

C

B

A



- NOTES:**
- 1. S.C. = SEALED CLOSE
 - 2. THREADED AIR HOSE CONNECTION
 - 3. MELT LINKS

STARTING AIR AND DRYER SYSTEM FOR DIESEL ENGINE 1-2

UNIT ONE

LR BOUNDARY DRAWING NO.	REV.
LR-DCPP-21-106721-08	0

90

91

92

93

94

95

96

97

98

99

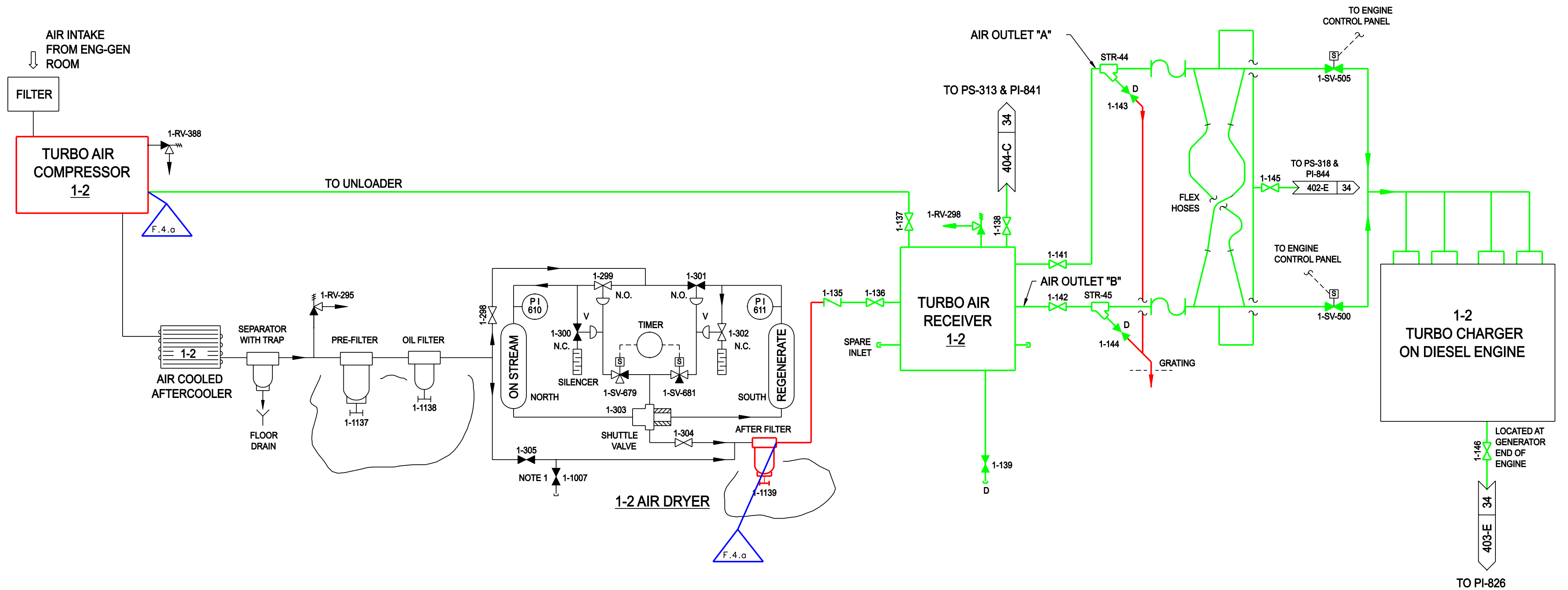
E

D

C

B

A



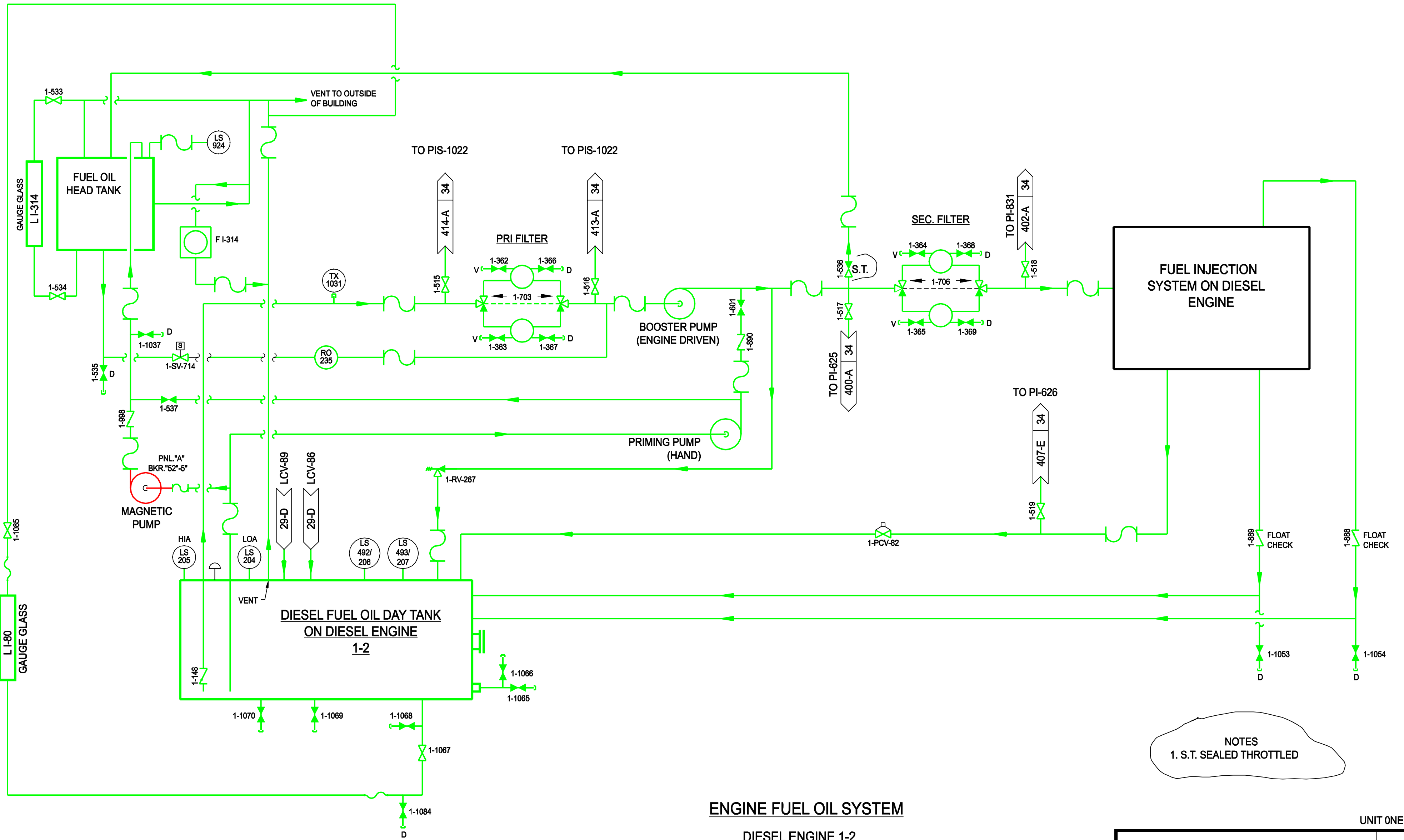
NOTES:

1. THREADED AIR HOSE CONNECTION

TURBO CHARGER AIR ASSIST AND DRYER SYSTEM FOR DIESEL ENGINE 1-2

UNIT ONE

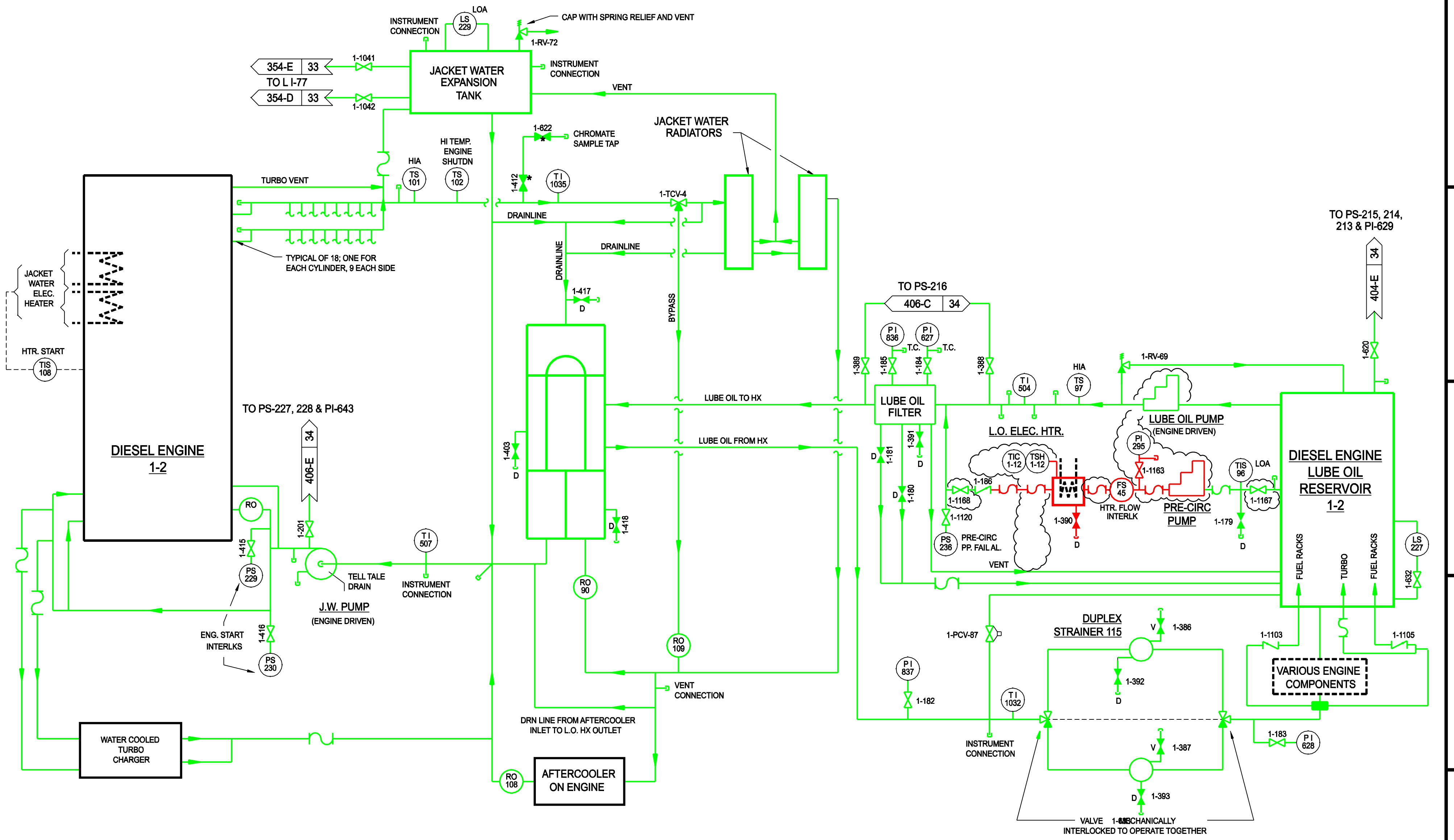
LR BOUNDARY DRAWING NO.	REV.
LR-DCPP-21-106721-09	0



NOTES
1. S.T. SEALED THROTTLED

ENGINE FUEL OIL SYSTEM
DIESEL ENGINE 1-2

UNIT ONE	
LR BOUNDARY DRAWING NO.	REV.
LR-DCPP-21-106721-10	0



JACKET WATER COOLING SYSTEM DIESEL ENGINE 1-2 | LUBE OIL SYSTEM DIESEL ENGINE 1-2

NOTES:
* DENOTES CHEMISTRY VALVE

UNIT ONE	
LR BOUNDARY DRAWING NO.	REV.
LR-DCPP-21-106721-11	0

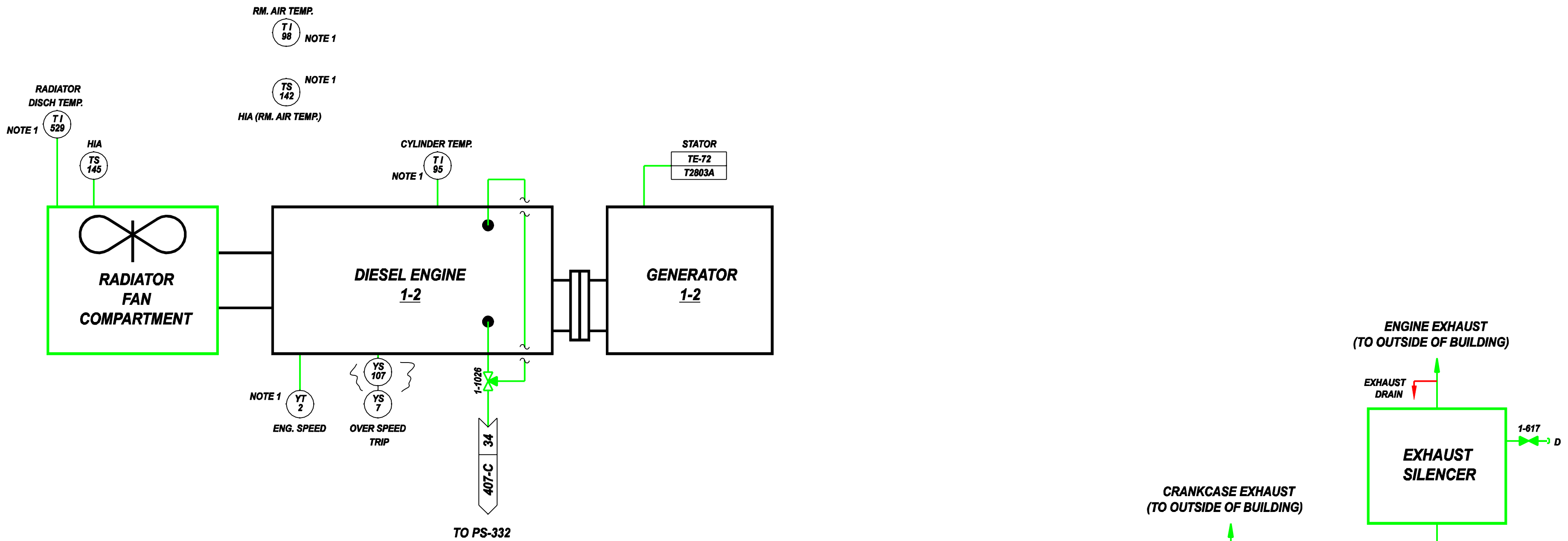
E

D

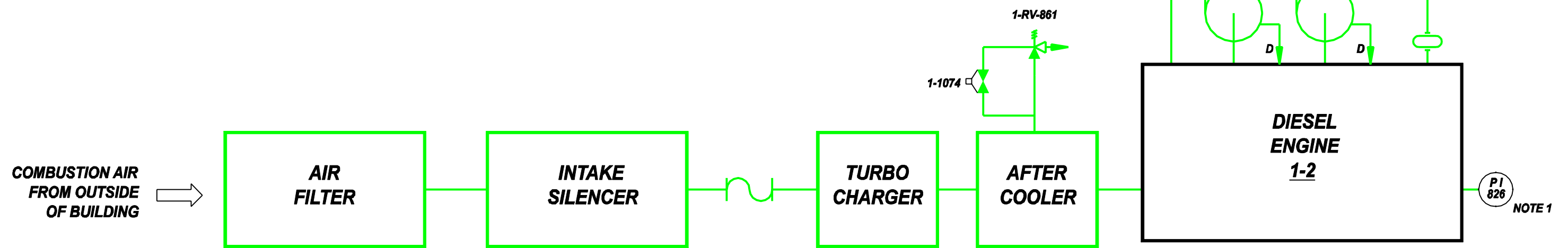
C

B

A



MISCELLANEOUS INSTRUMENTS FOR DIESEL ENGINE 1-2



COMBUSTION AIR AND EXHAUST SYSTEM FOR DIESEL ENGINE 1-2

NOTES:
1. MOUNTED ON ENGINE CONTROL PANEL

UNIT ONE

LR BOUNDARY DRAWING NO.	REV.
LR-DCPP-21-106721-12	0

130

131

132

133

134

135

136

137

138

139

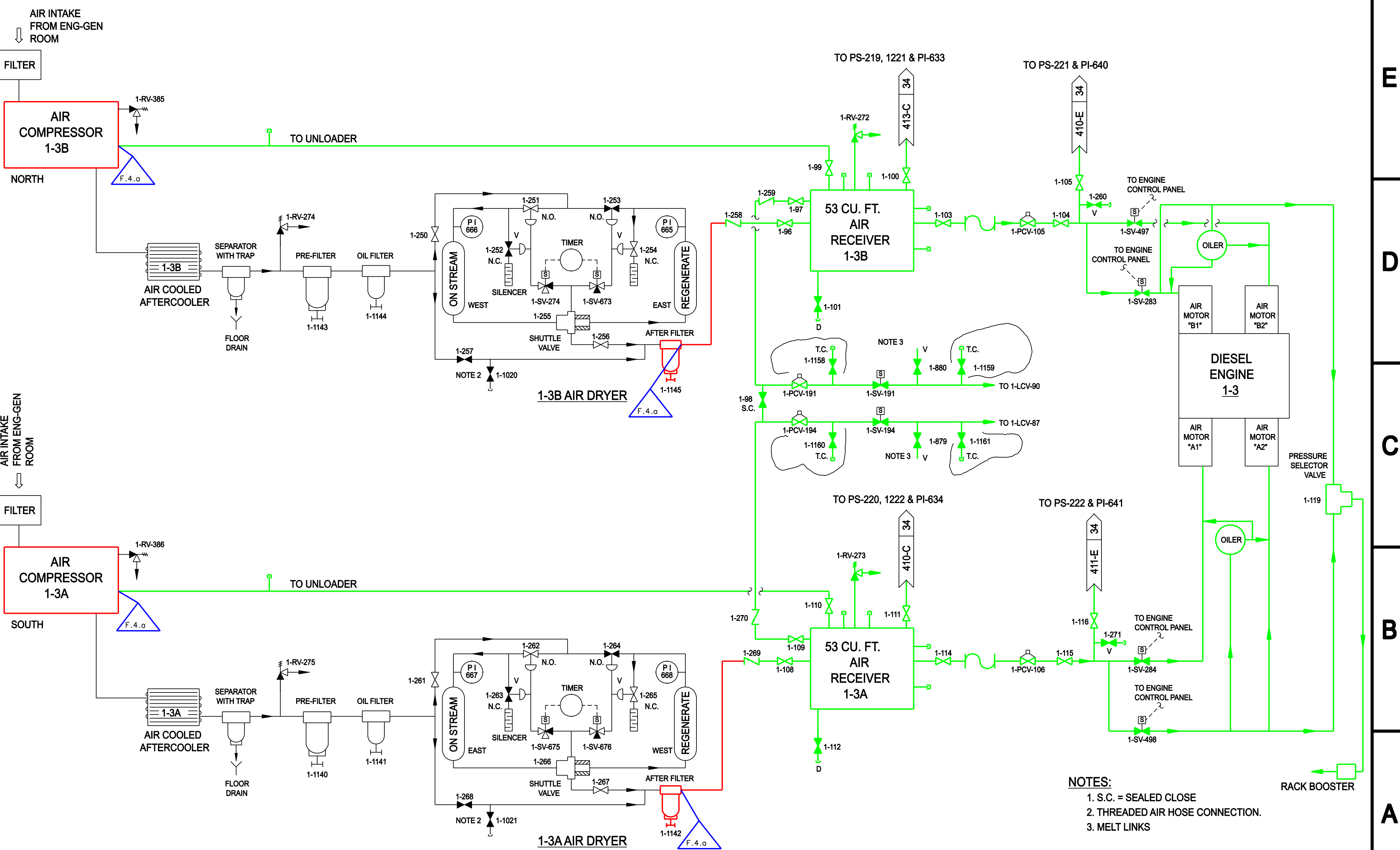
E

D

C

B

A



- NOTES:**
- 1. S.C. = SEALED CLOSE
 - 2. THREADED AIR HOSE CONNECTION.
 - 3. MELT LINKS

STARTING AIR AND DRYER SYSTEM FOR DIESEL ENGINE 1-3

UNIT ONE

LR BOUNDARY DRAWING NO.	REV.
LR-DCPP-21-106721-13	0

140

141

142

143

144

145

146

147

148

149

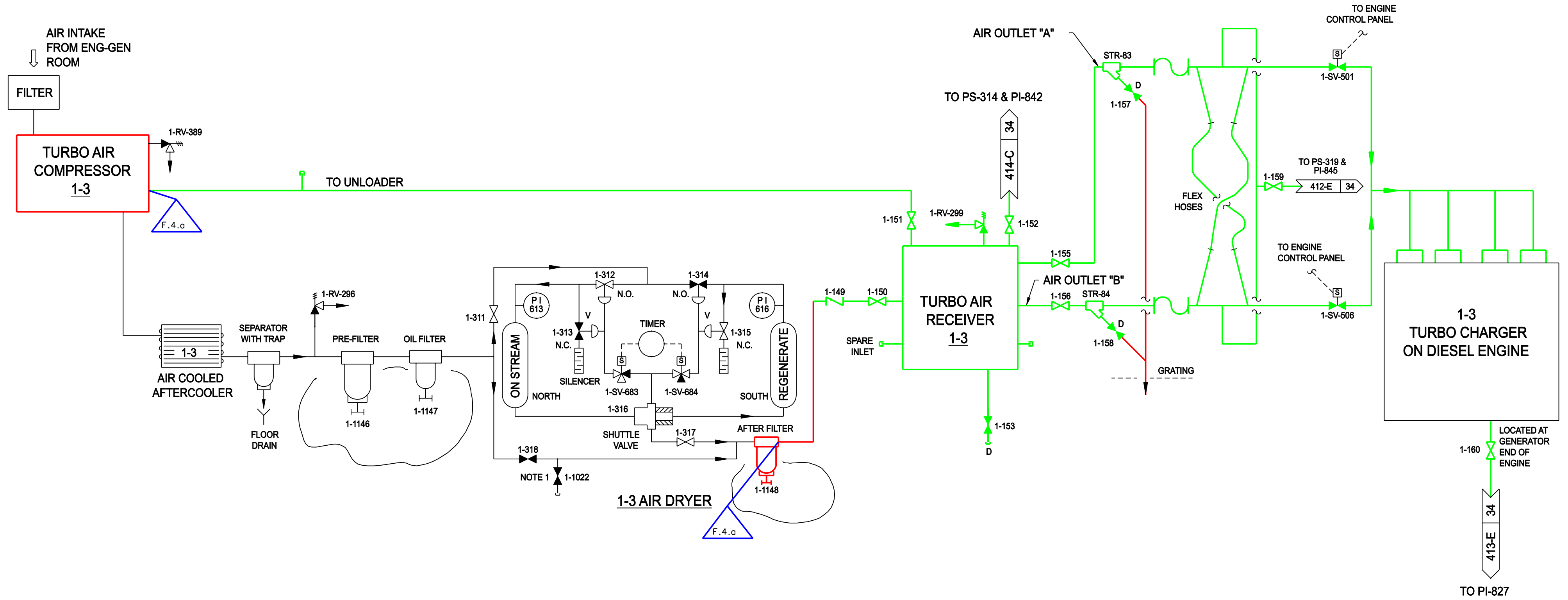
E

D

C

B

A



NOTES:

1. THREADED AIR HOSE CONNECTION

TURBO CHARGER AIR ASSIST AND DRYER SYSTEM FOR DIESEL ENGINE 1-3

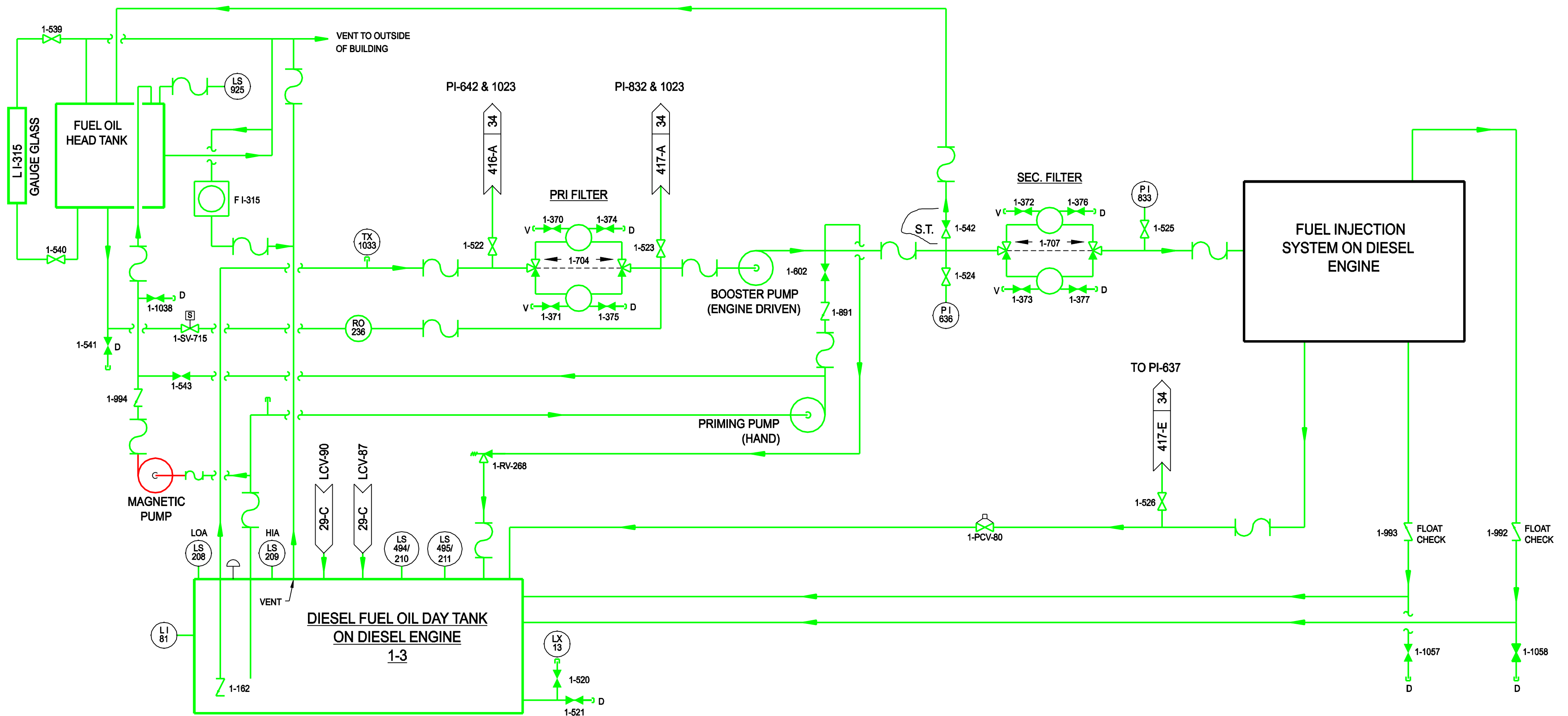
UNIT ONE

LR BOUNDARY DRAWING NO.

LR-DCPP-21-106721-14

REV.

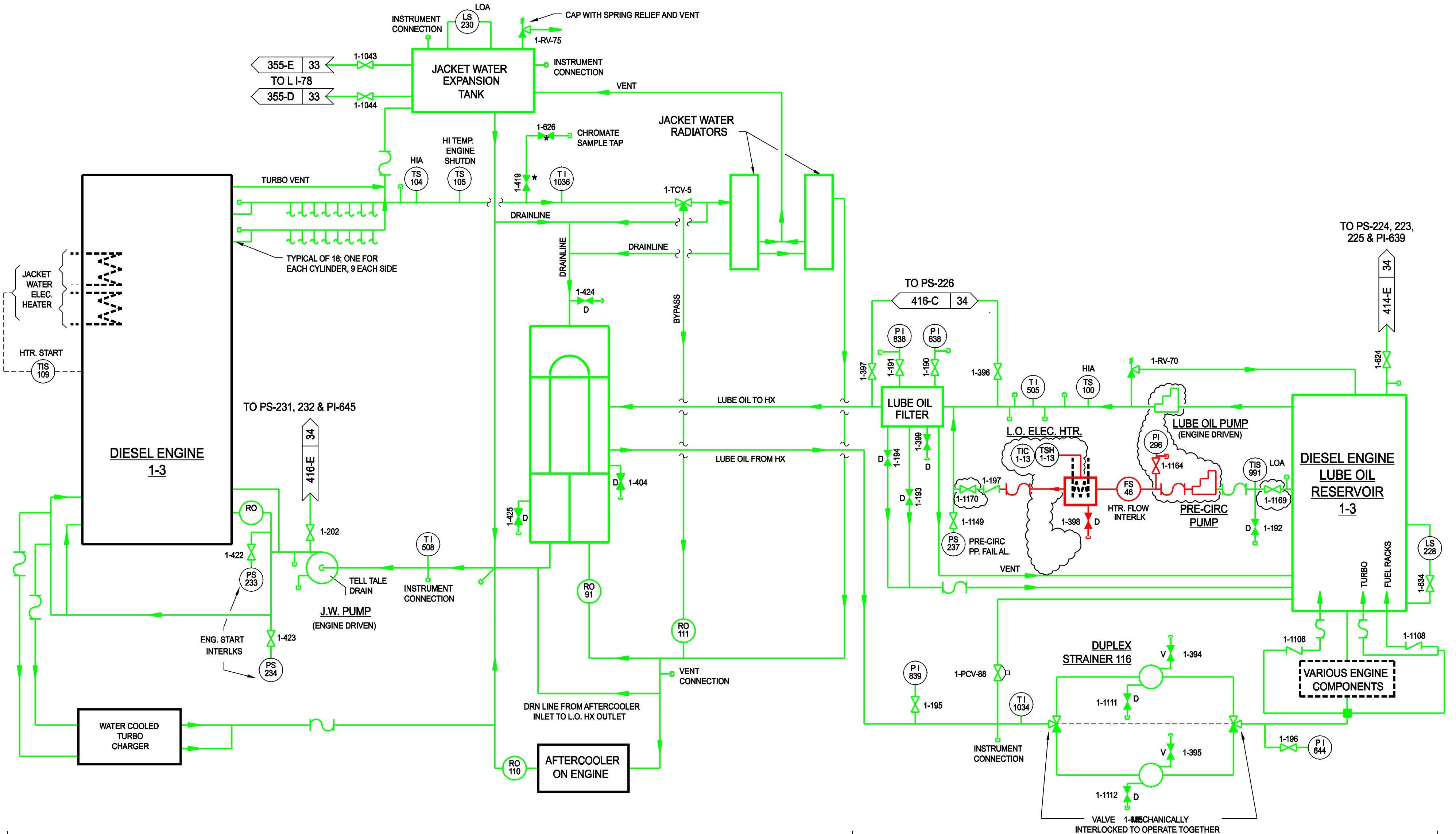
0



NOTES
1. S.T. SEALED THROTTLED

ENGINE FUEL OIL SYSTEM FOR DIESEL ENGINE 1-3

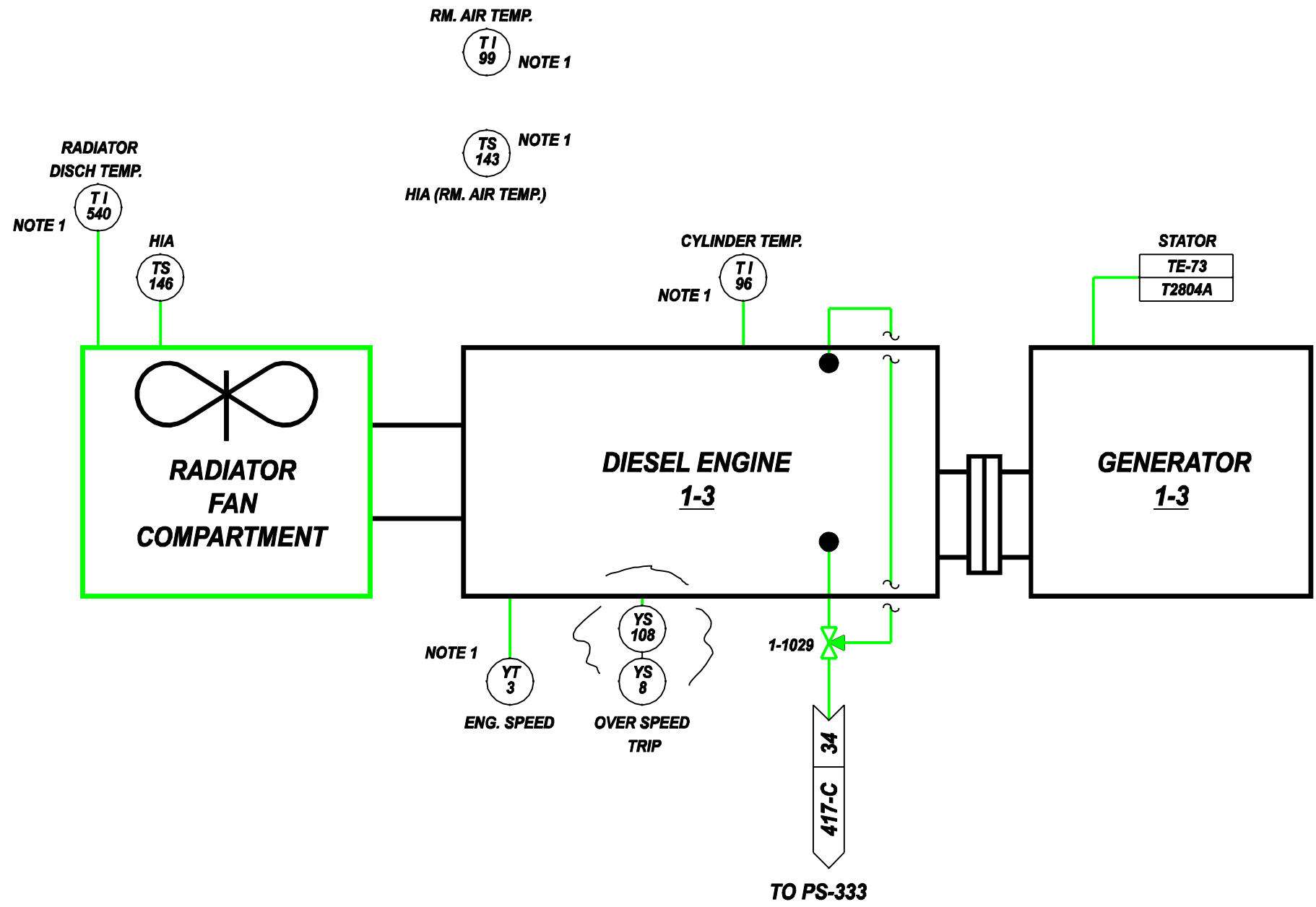
UNIT ONE	
LR BOUNDARY DRAWING NO.	REV.
LR-DCPP-21-106721-15	0



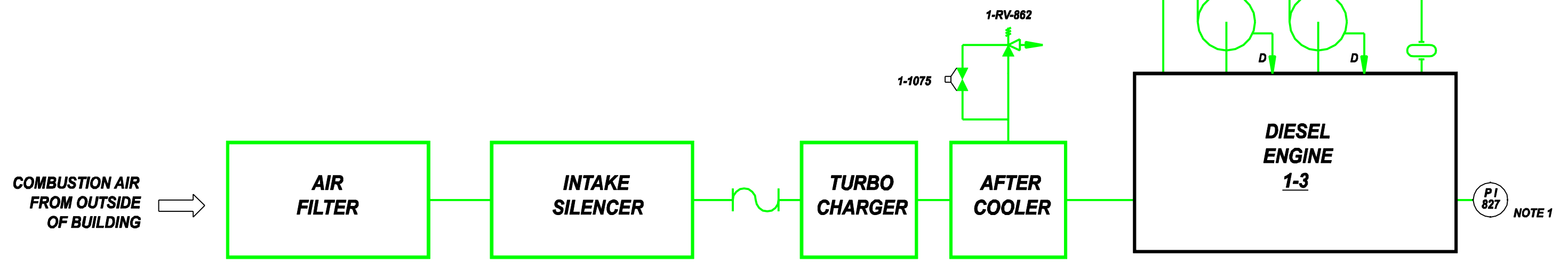
NOTES:
* DENOTES CHEMISTRY VALVE

UNIT ONE	
LR BOUNDARY DRAWING NO.	REV.
LR-DCPP-21-106721-16	0

E
D
C
B
A



MISCELLANEOUS INSTRUMENTS FOR DIESEL ENGINE 1-3



COMBUSTION AIR AND EXHAUST SYSTEM FOR DIESEL ENGINE 1-3

NOTES:
1. MOUNTED ON ENGINE CONTROL PANEL

UNIT ONE

LR BOUNDARY DRAWING NO.	REV.
LR-DCPP-21-106721-17	0

30

31

32

33

34

35

36

37

38

39

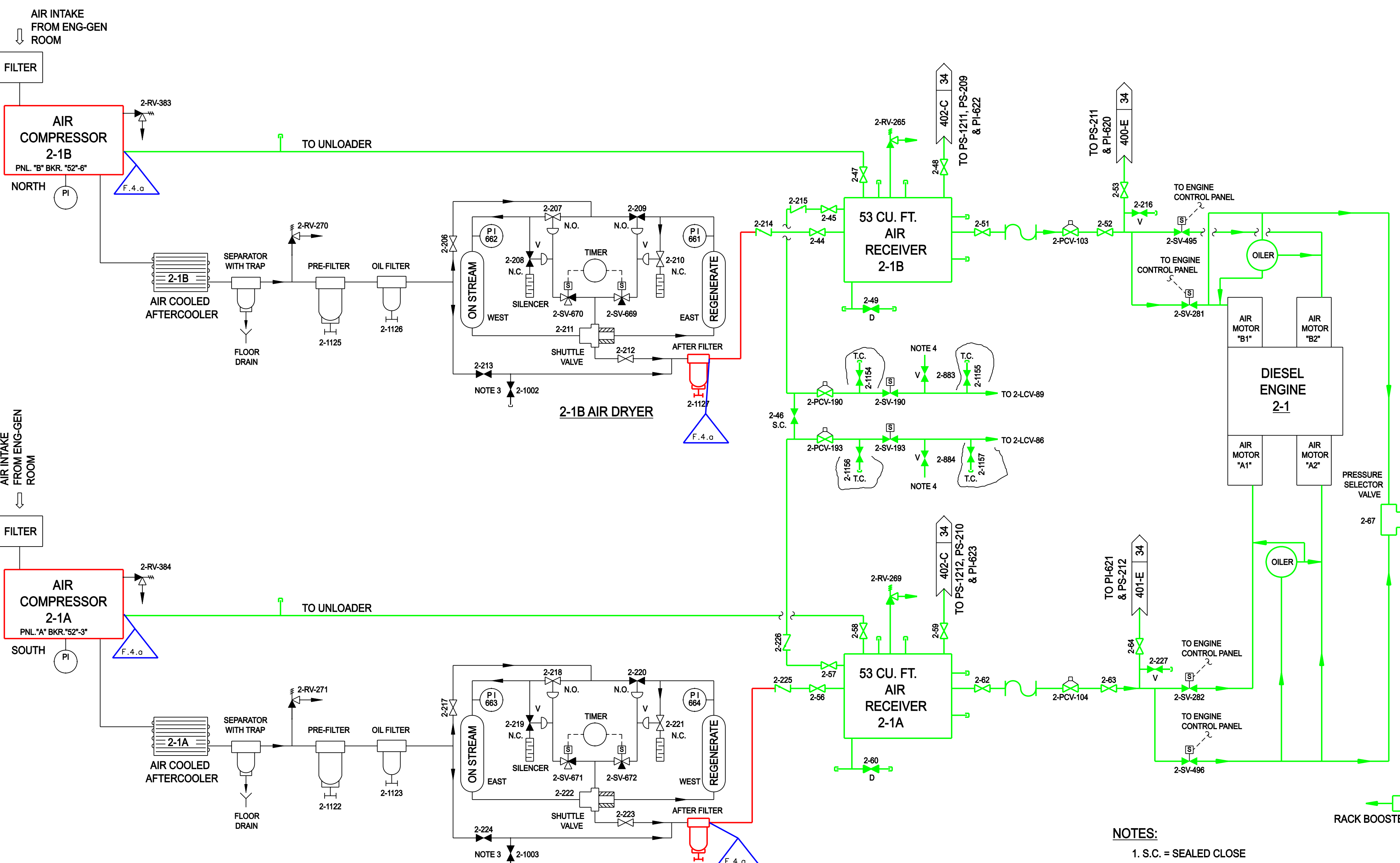
E

D

C

B

A



STARTING AIR AND DRYER SYSTEM FOR DIESEL ENGINE 2-1

- NOTES:**
- 1. S.C. = SEALED CLOSE
 - 3. THREADED AIR HOSE CONNECTION.
 - 4. MELT LINKS

UNIT TWO

LR BOUNDARY DRAWING NO.	REV.
LR-DCPP-21-107721-03	0

40

41

42

43

44

45

46

47

48

49

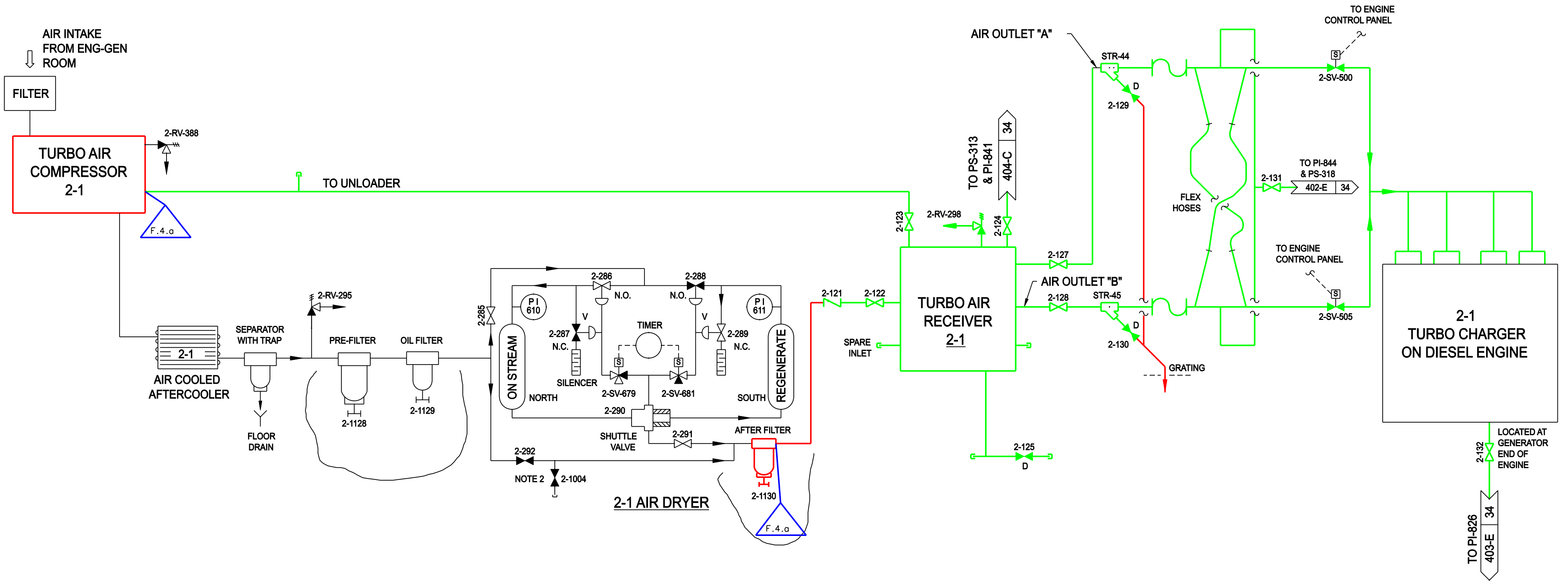
E

D

C

B

A



NOTES:

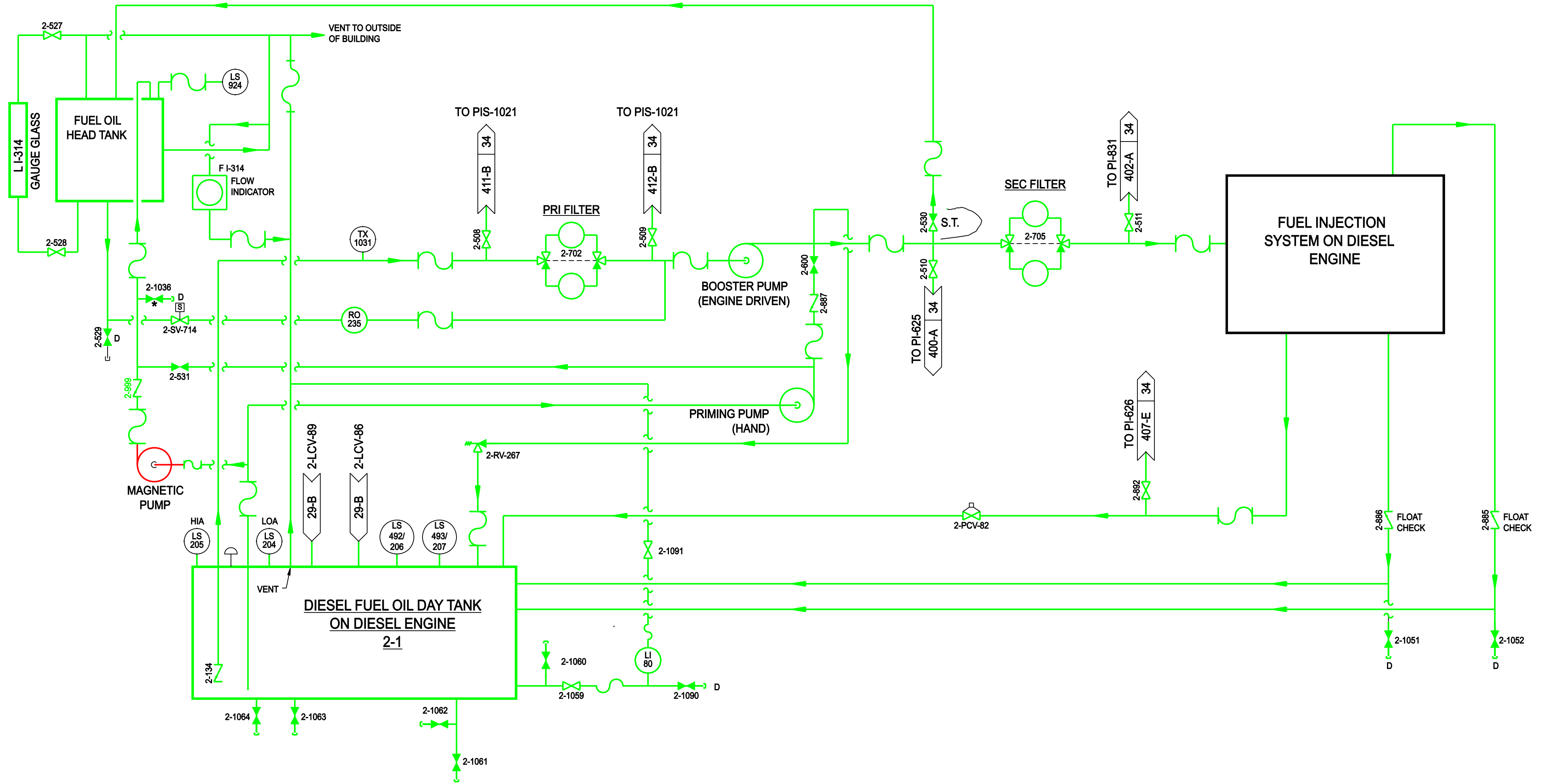
2. THREADED AIR HOSE CONNECTION.

TURBO CHARGER AIR ASSIST AND DRYER SYSTEM FOR DIESEL ENGINE 2-1

DIESEL ENGINE 2-1

UNIT TWO

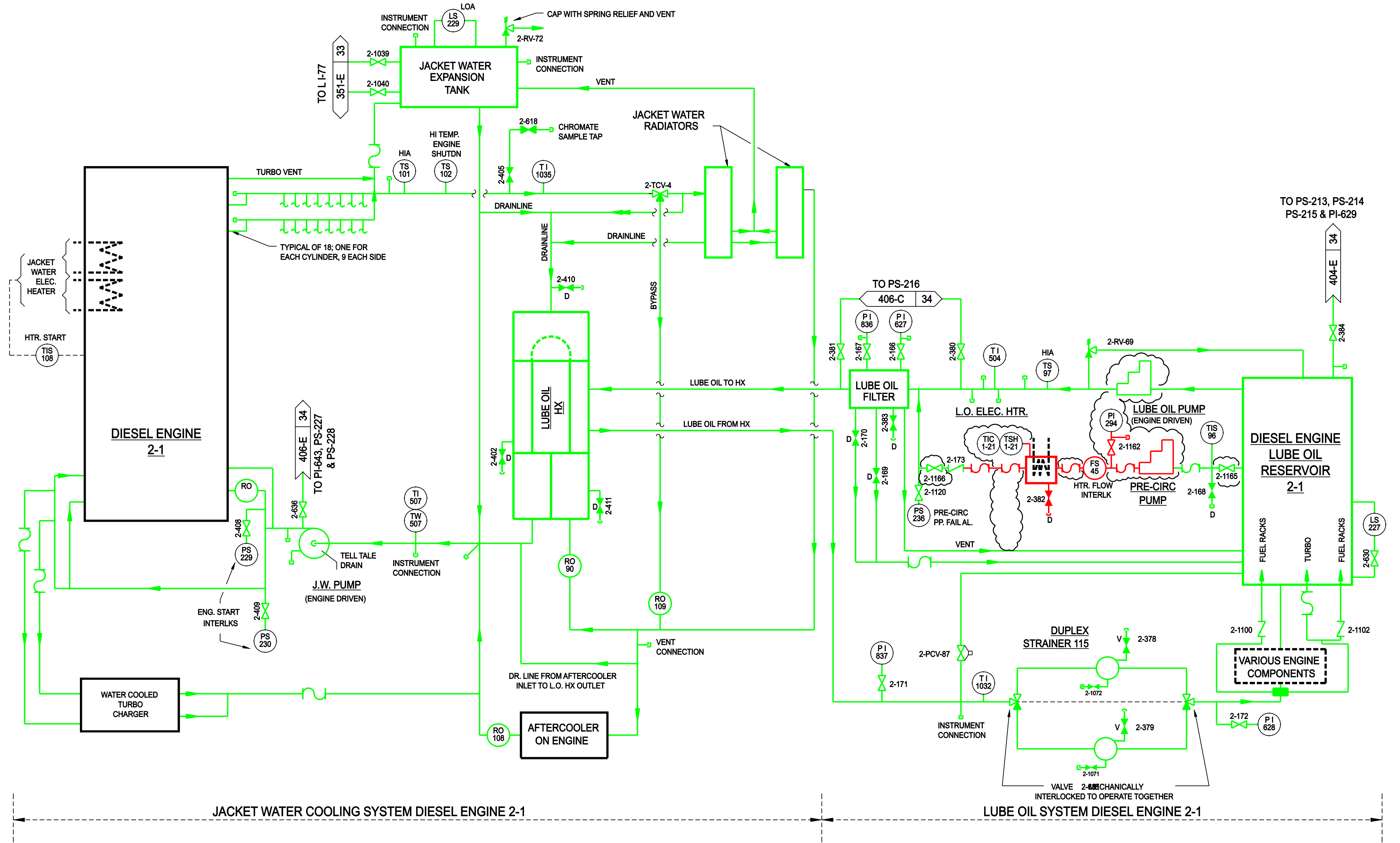
LR BOUNDARY DRAWING NO.	REV.
LR-DCPP-21-107721-04	0



ENGINE FUEL OIL SYSTEM FOR DIESEL ENGINE 2-1

NOTE
 1. CHEMISTRY VALVE
 2. S.T. SEALED THROTTLED

UNIT TWO	
LR BOUNDARY DRAWING NO.	REV.
LR-DCPP-21-107721-05	0



JACKET WATER COOLING SYSTEM DIESEL ENGINE 2-1

LUBE OIL SYSTEM DIESEL ENGINE 2-1

UNIT TWO	
LR BOUNDARY DRAWING NO.	REV.
LR-DCPP-21-107721-06	0

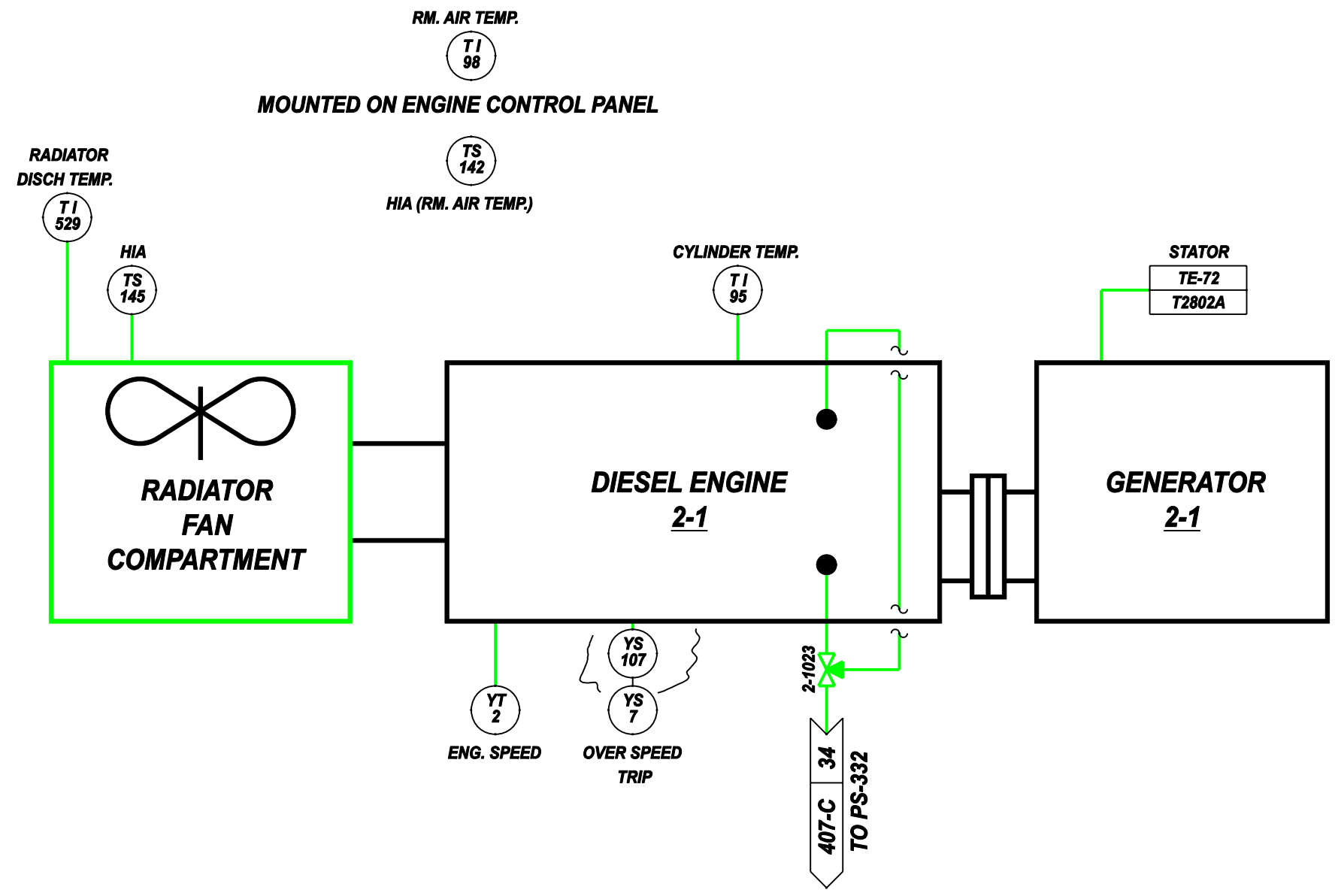
E

D

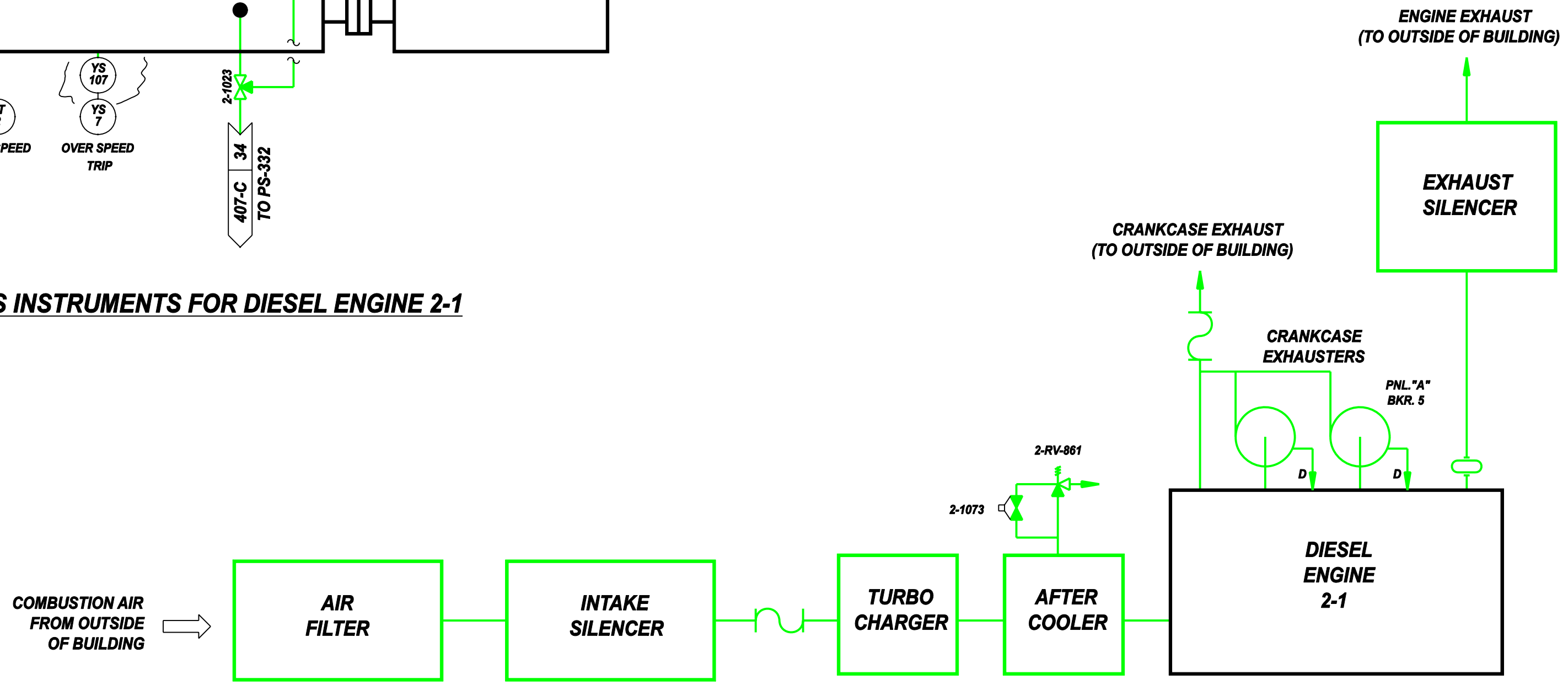
C

B

A



MISCELLANEOUS INSTRUMENTS FOR DIESEL ENGINE 2-1



COMBUSTION AIR AND EXHAUST SYSTEM FOR DIESEL ENGINE 2-1

UNIT TWO

LR BOUNDARY DRAWING NO.	REV.
LR-DCPP-21-107721-07	0

80

81

82

83

84

85

86

87

88

89

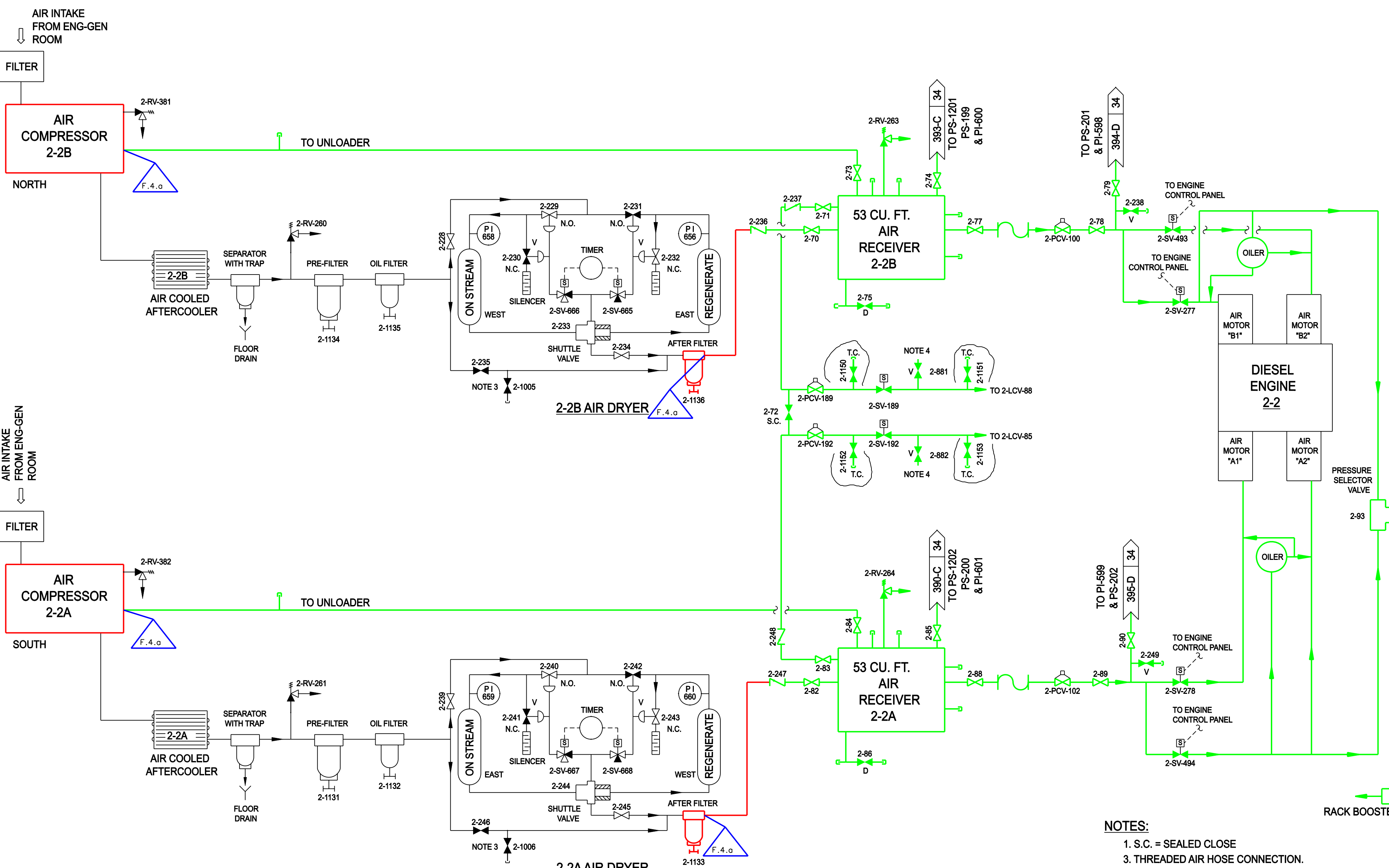
E

D

C

B

A



- NOTES:**
- 1. S.C. = SEALED CLOSE
 - 3. THREADED AIR HOSE CONNECTION.
 - 4. MELT LINKS

STARTING AIR AND DRYER SYSTEM FOR DIESEL ENGINE 2-2

UNIT TWO

LR BOUNDARY DRAWING NO.	REV.
LR-DCPP-21-107721-08	0

90

91

92

93

94

95

96

97

98

99

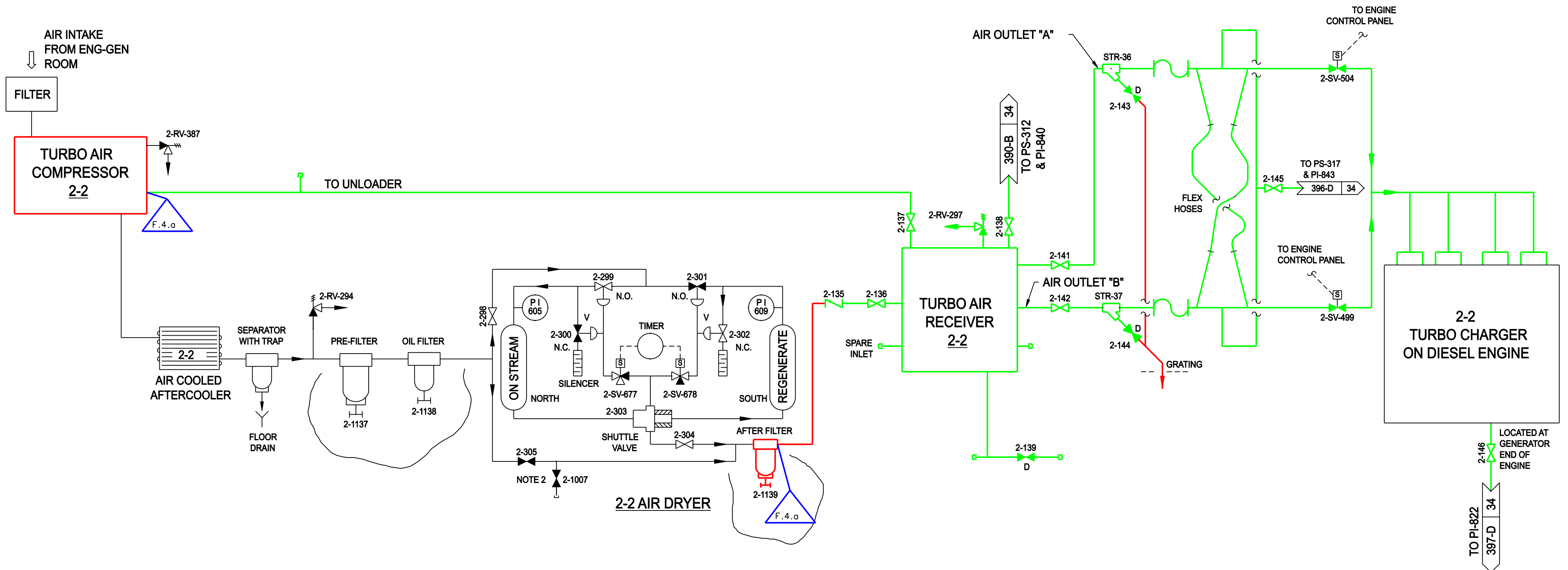
E

D

C

B

A



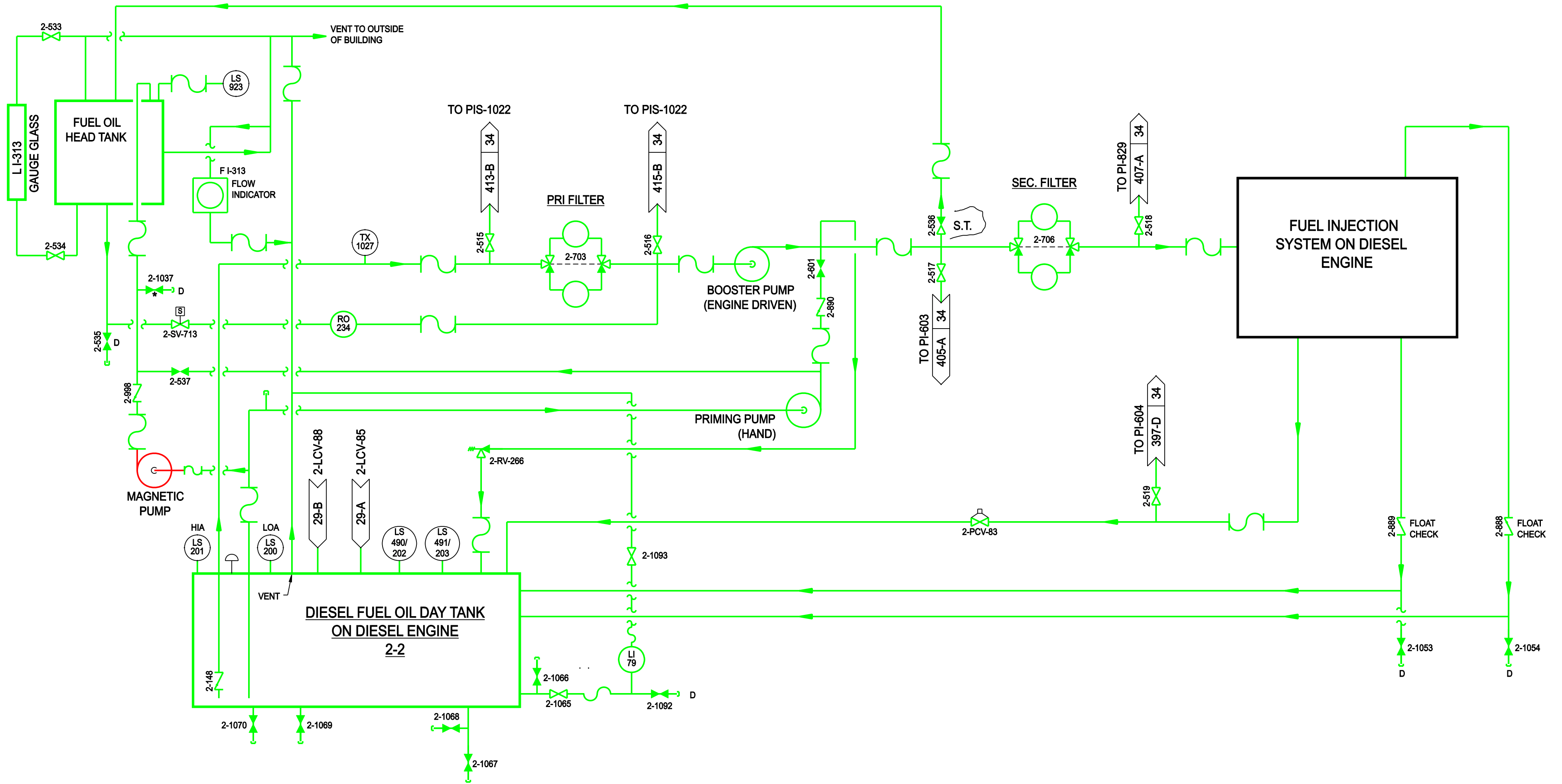
NOTES:

2. THREADED AIR HOSE CONNECTION.

TURBO CHARGER AIR ASSIST AND DRYER SYSTEM FOR DIESEL ENGINE 2-2

UNIT TWO

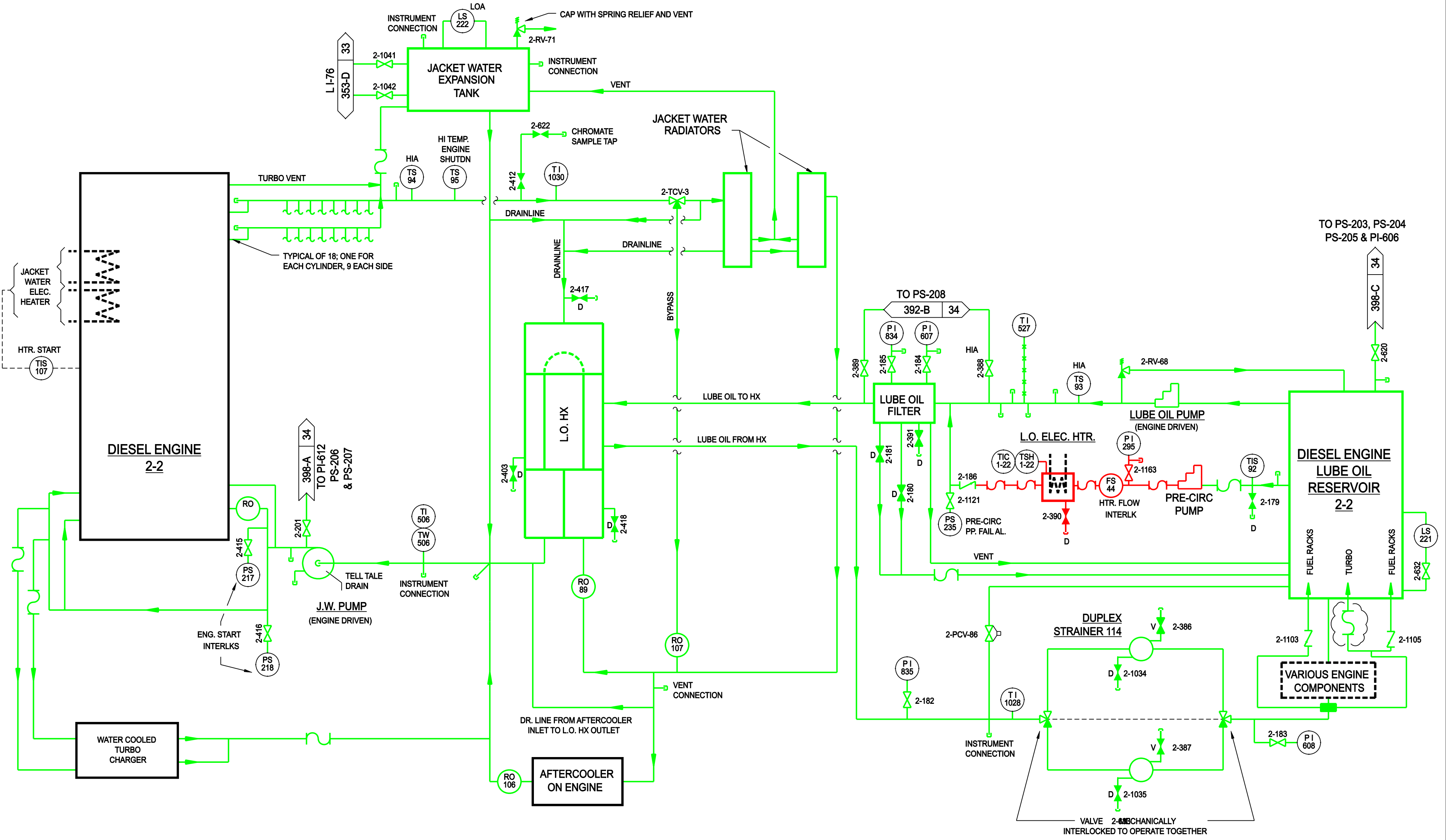
LR BOUNDARY DRAWING NO.	REV.
LR-DCPP-21-107721-09	0



ENGINE FUEL OIL SYSTEM FOR DIESEL ENGINE 2-2

NOTE
 1. CHEMISTRY VALVE
 2. S.T. SEALED THROTTLED

UNIT TWO	
LR BOUNDARY DRAWING NO.	REV.
LR-DCPP-21-107721-10	0

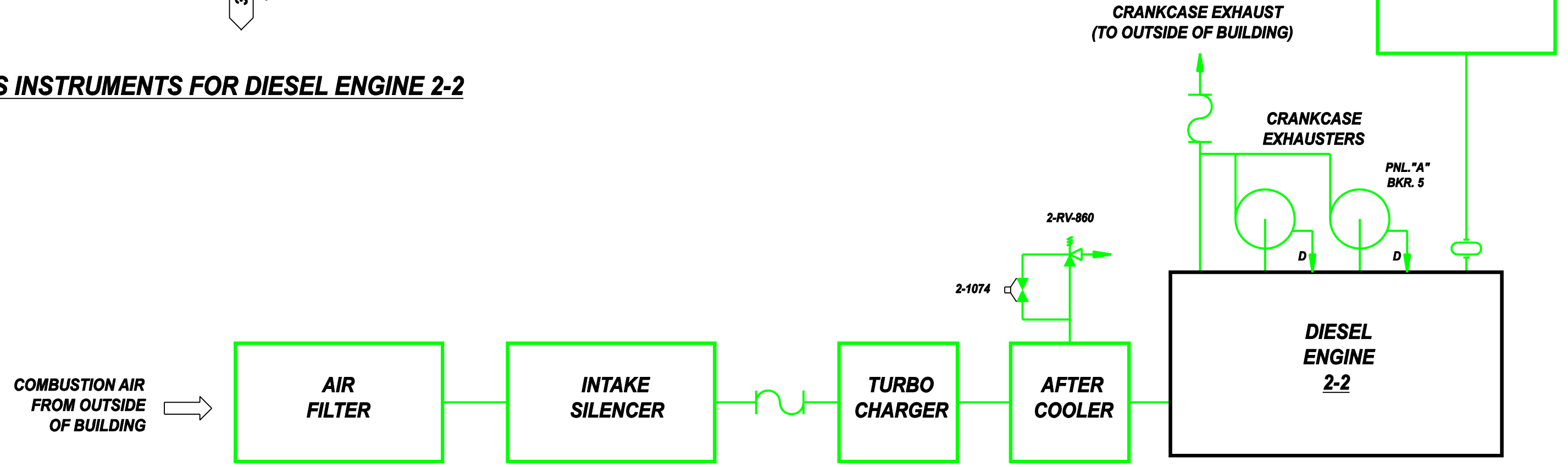
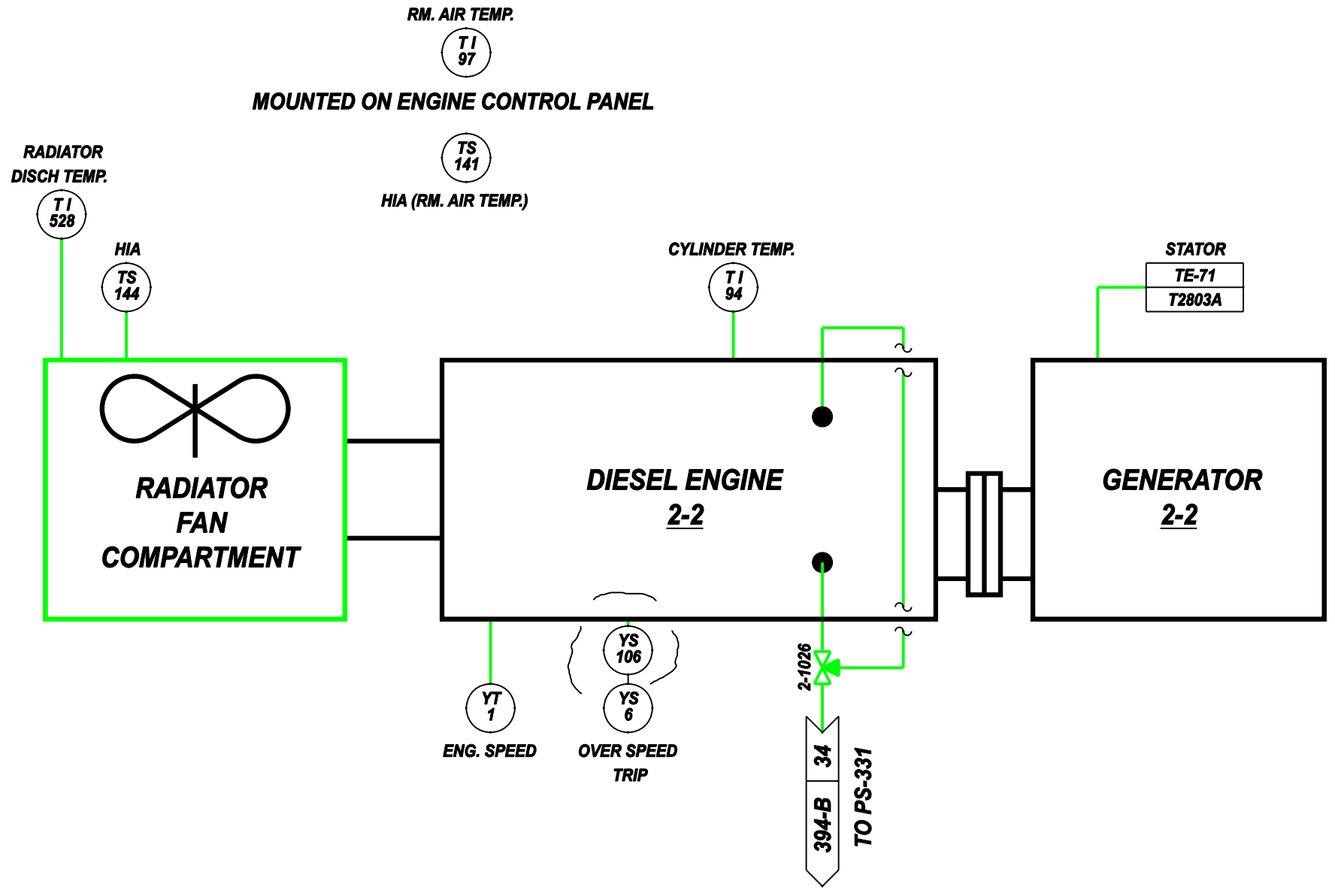


JACKET WATER COOLING SYSTEM DIESEL ENGINE 2-2

LUBE OIL SYSTEM DIESEL ENGINE 2-2

UNIT TWO	
LR BOUNDARY DRAWING NO.	REV.
LR-DCPP-21-107721-11	0

E
D
C
B
A



UNIT TWO	
LR BOUNDARY DRAWING NO.	REV.
LR-DCPP-21-107721-12	0

130

131

132

133

134

135

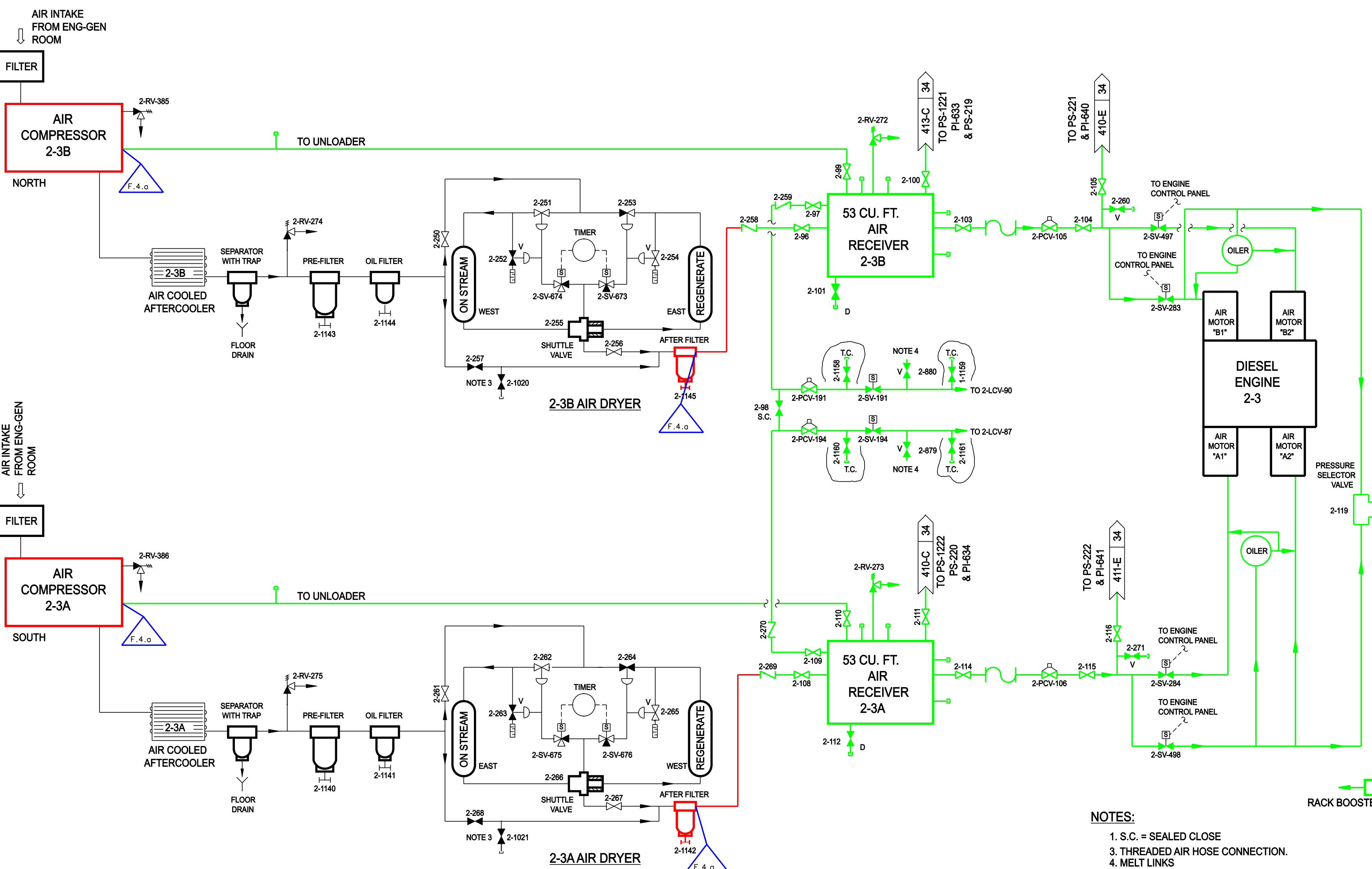
136

137

138

139

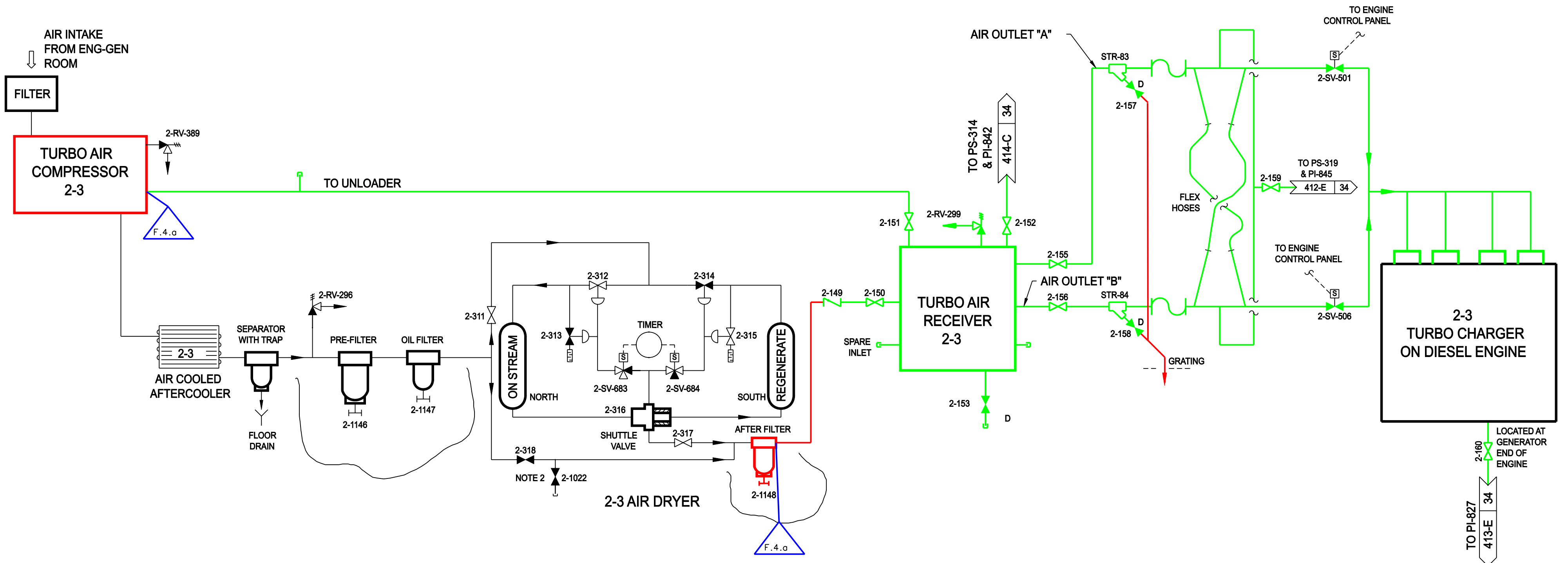
E
D
C
B
A



STARTING AIR AND DRYER SYSTEM FOR DIESEL ENGINE 2-3

- NOTES:
- 1. S.C. = SEALED CLOSE
 - 3. THREADED AIR HOSE CONNECTION.
 - 4. MELT LINKS

UNIT TWO	
LR BOUNDARY DRAWING NO.	REV.
LR-DCPP-21-107721-13	0

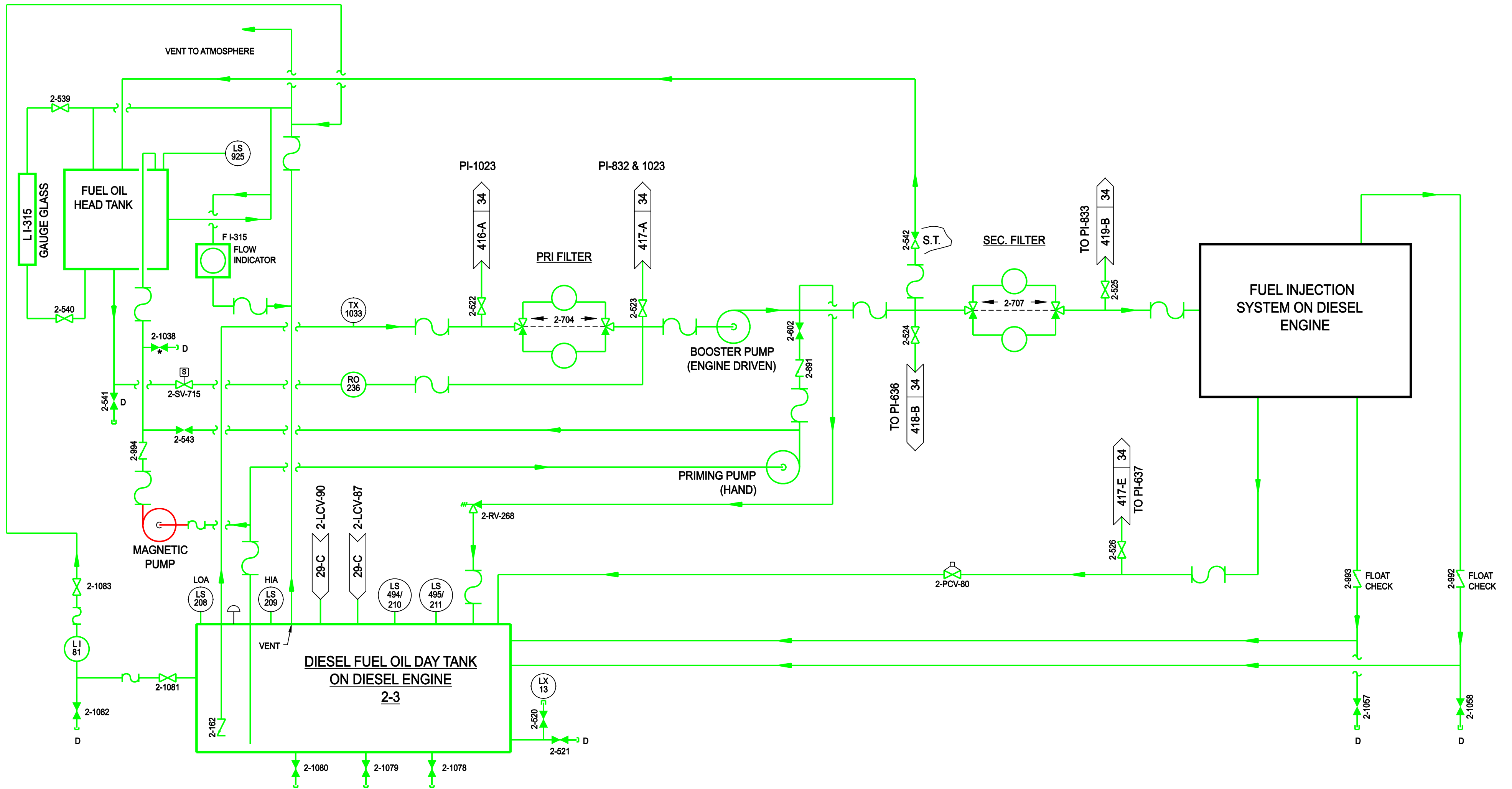


NOTES:
2. THREADED AIR HOSE CONNECTION.

TURBO CHARGER AIR ASSIST AND DRYER SYSTEM FOR DIESEL ENGINE 2-3

UNIT TWO

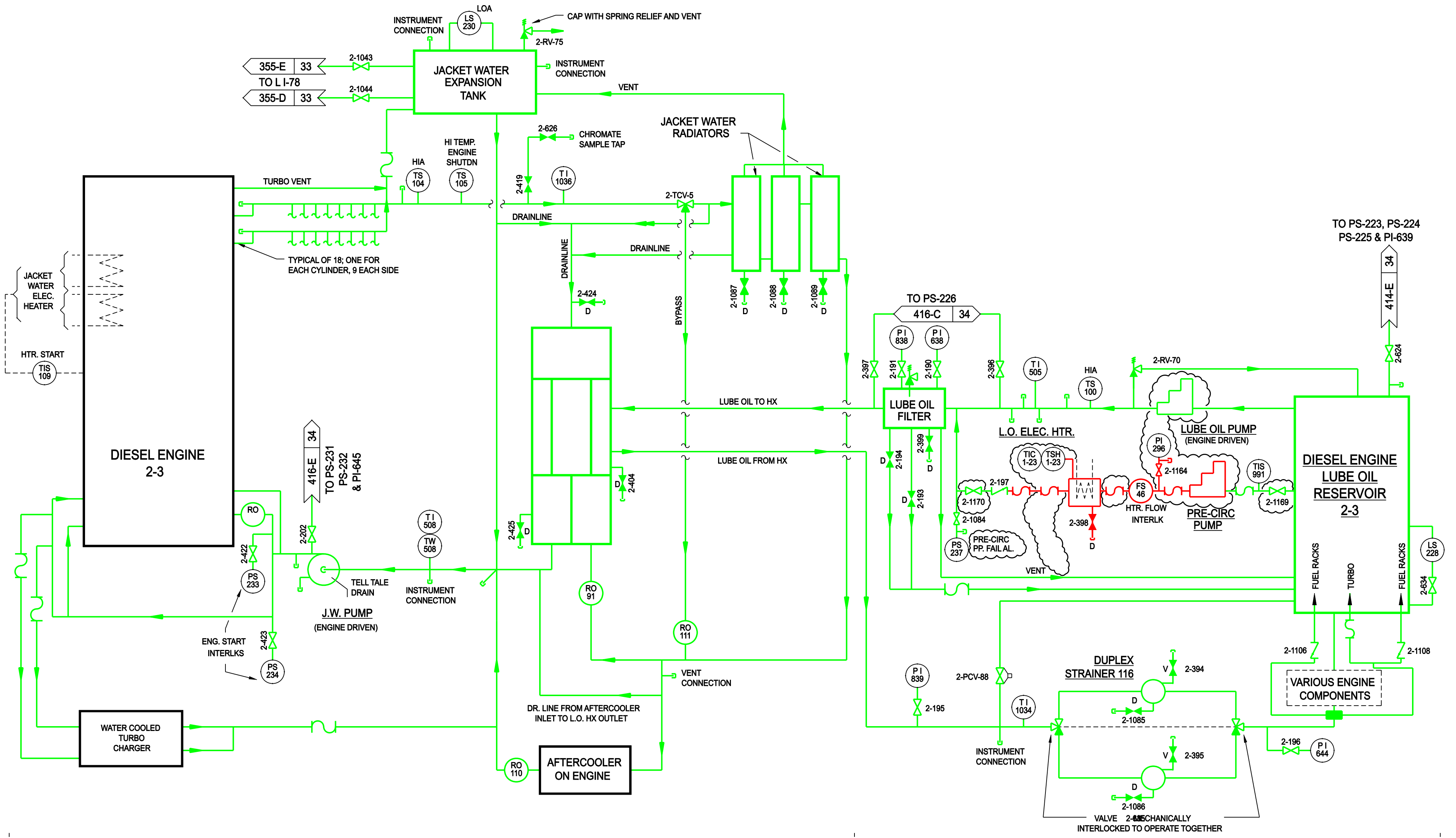
LR BOUNDARY DRAWING NO.	REV.
LR-DCPP-21-107721-14	0



ENGINE FUEL OIL SYSTEM FOR DIESEL ENGINE 2-3

NOTE
 1. CHEMISTRY VALVE
 2. S.T. SEALED THROTTLED

UNIT TWO	
LR BOUNDARY DRAWING NO.	REV.
LR-DCPP-21-107721-15	0

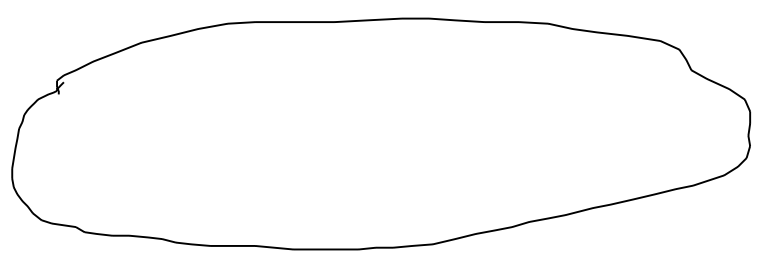
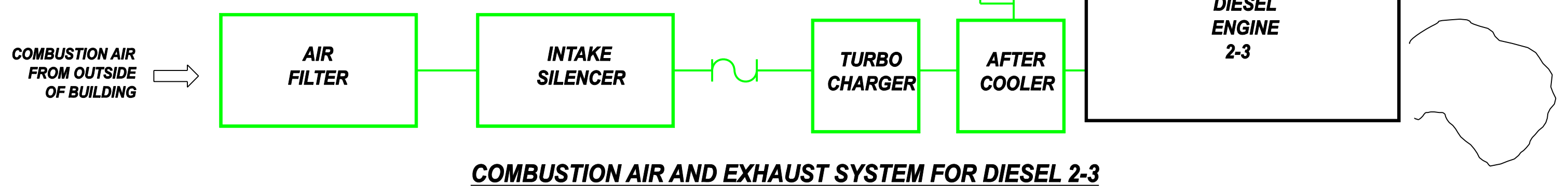
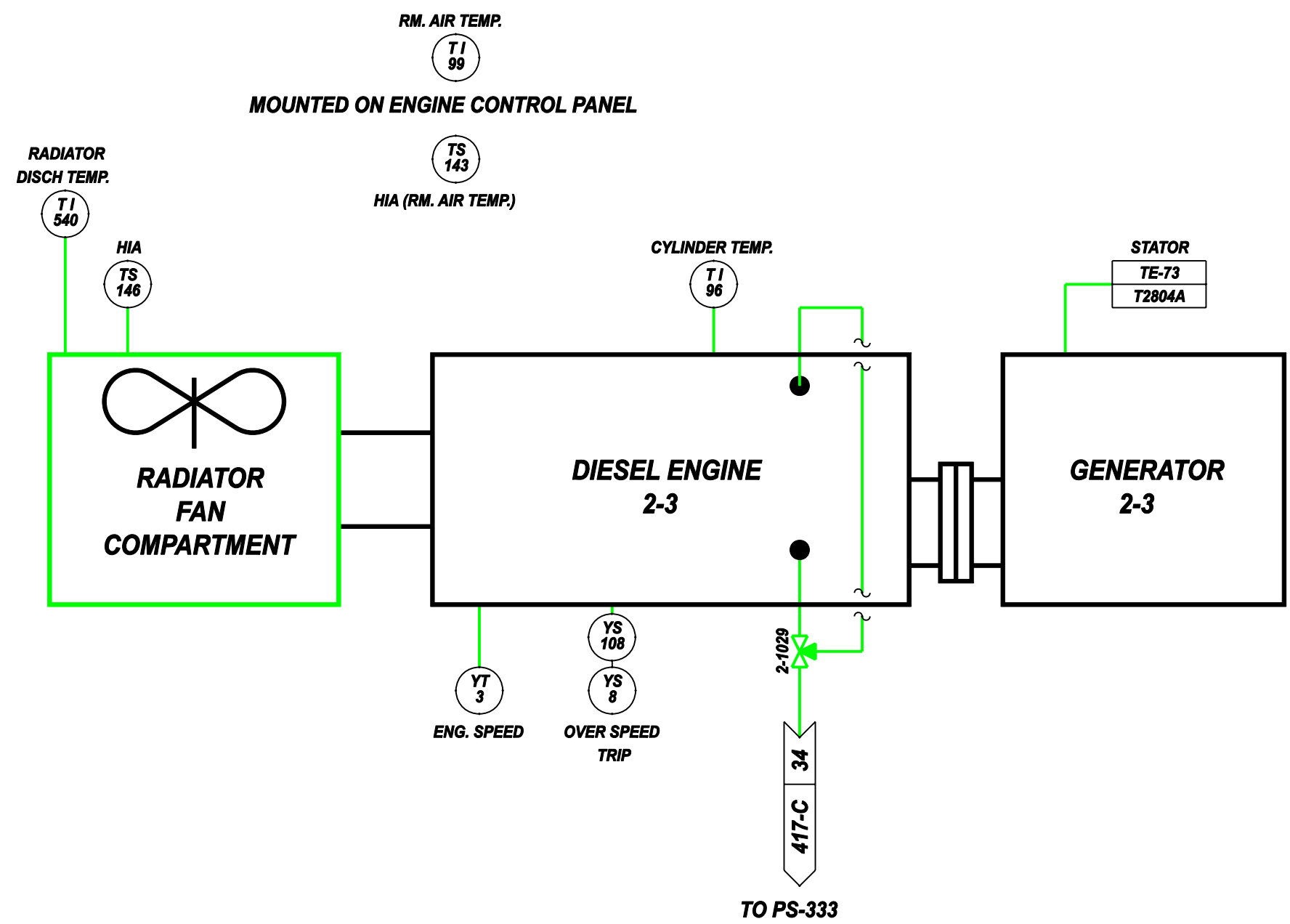


JACKET WTR COOLING SYS DIESEL ENGINE 2-3

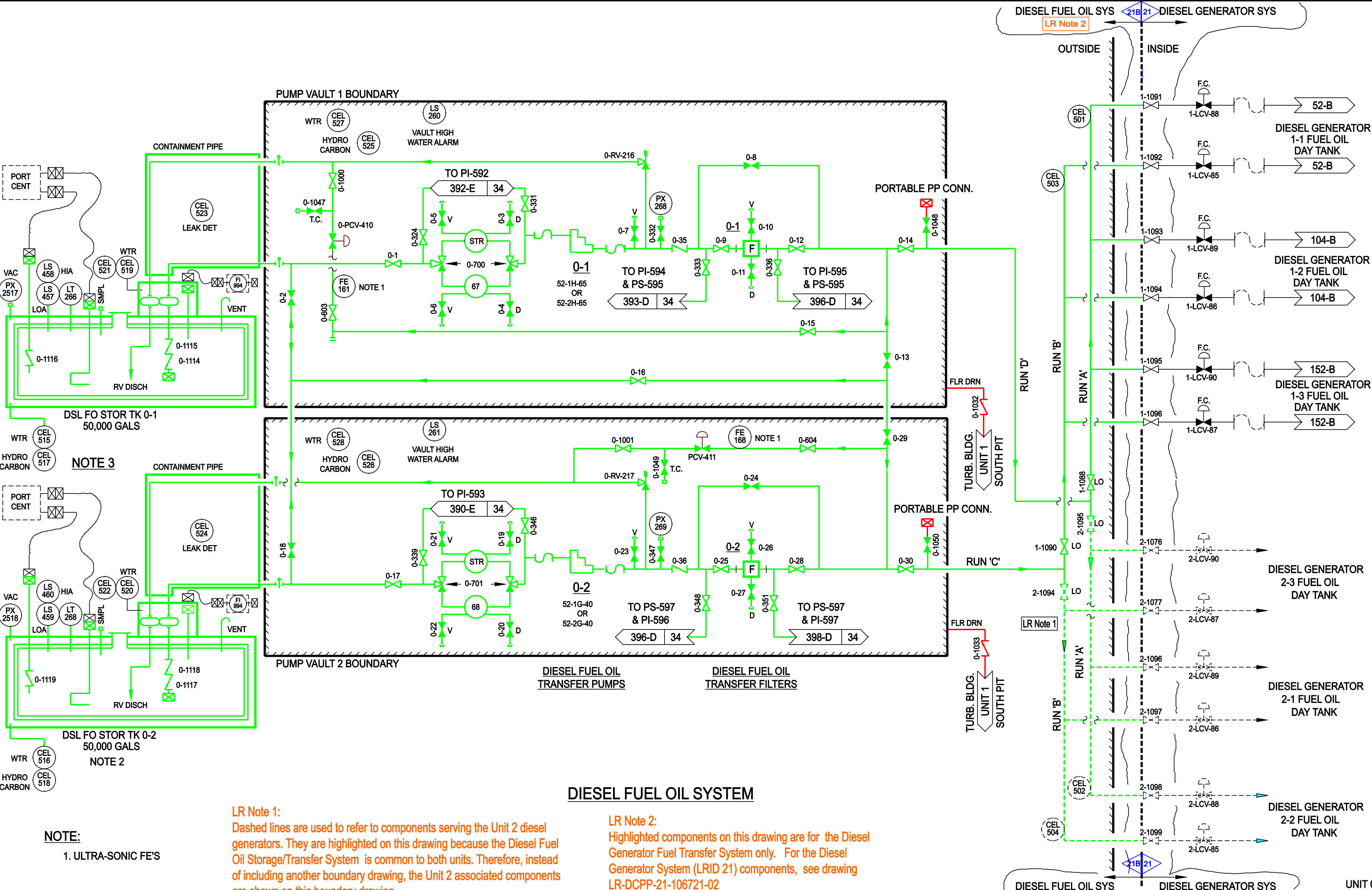
LUBE OIL SYS DIESEL ENGINE 2-3

UNIT TWO

LR BOUNDARY DRAWING NO.	REV.
LR-DCPP-21-107721-16	0



UNIT TWO	
LR BOUNDARY DRAWING NO.	REV.
LR-DCPP-21-107721-17	0



DIESEL FUEL OIL SYSTEM

LR Note 1:
Dashed lines are used to refer to components serving the Unit 2 diesel generators. They are highlighted on this drawing because the Diesel Fuel Oil Storage/Transfer System is common to both units. Therefore, instead of including another boundary drawing, the Unit 2 associated components are shown on this boundary drawing.

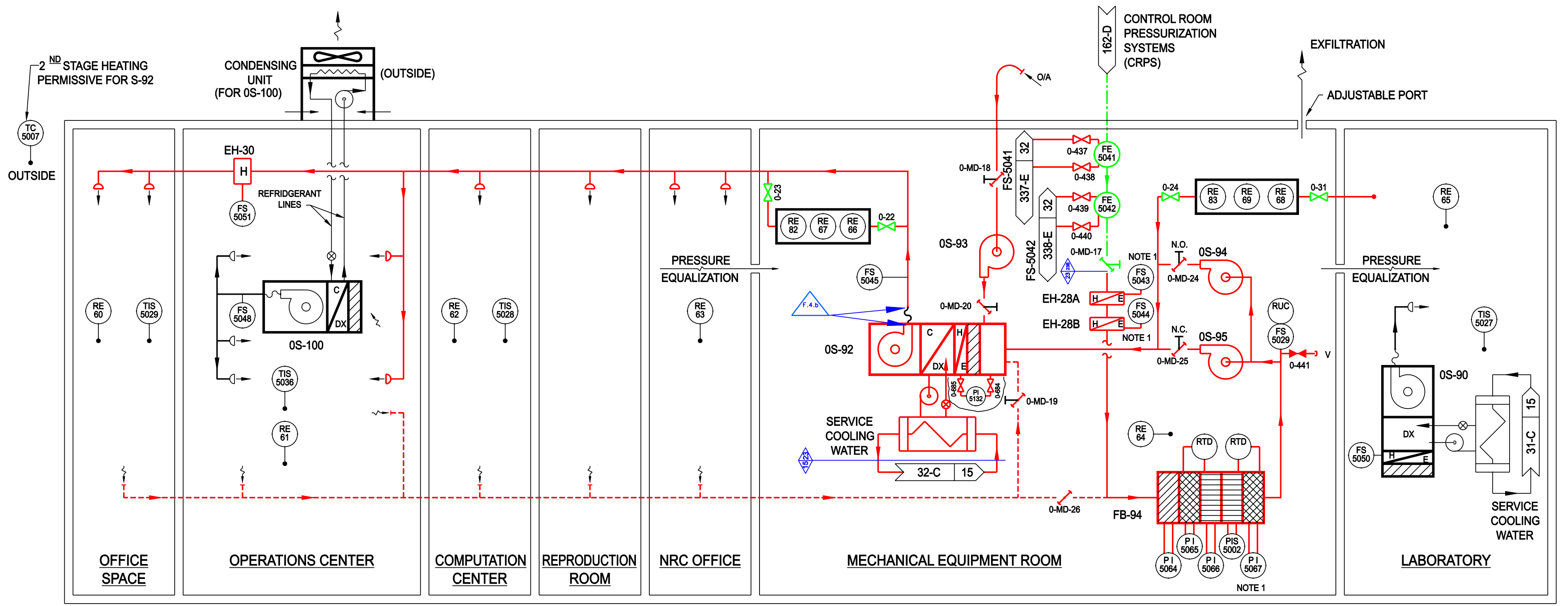
LR Note 2:
Highlighted components on this drawing are for the Diesel Generator Fuel Transfer System only. For the Diesel Generator System (LRID 21) components, see drawing LR-DCPP-21-106721-02

NOTE:
1. ULTRA-SONIC FE'S

LR BOUNDARY DRAWING NO.	REV.
LR-DCPP-21B-106721-02	0

E
D
C
B
A

A



TECHNICAL SUPPORT CENTER HVACS
(COMMON AREA)
EL. 104'-0"

- NOTES:**
1. FS-5043 & 5044 ABAND IN PLACE
 2. FOR LEGEND - SEE SHT. 10

UNIT ONE	
LR BOUNDARY DRAWING NO.	REV.
LR-DCPP-23-106723-18	0

190

191

192

193

194

195

196

197

198

199

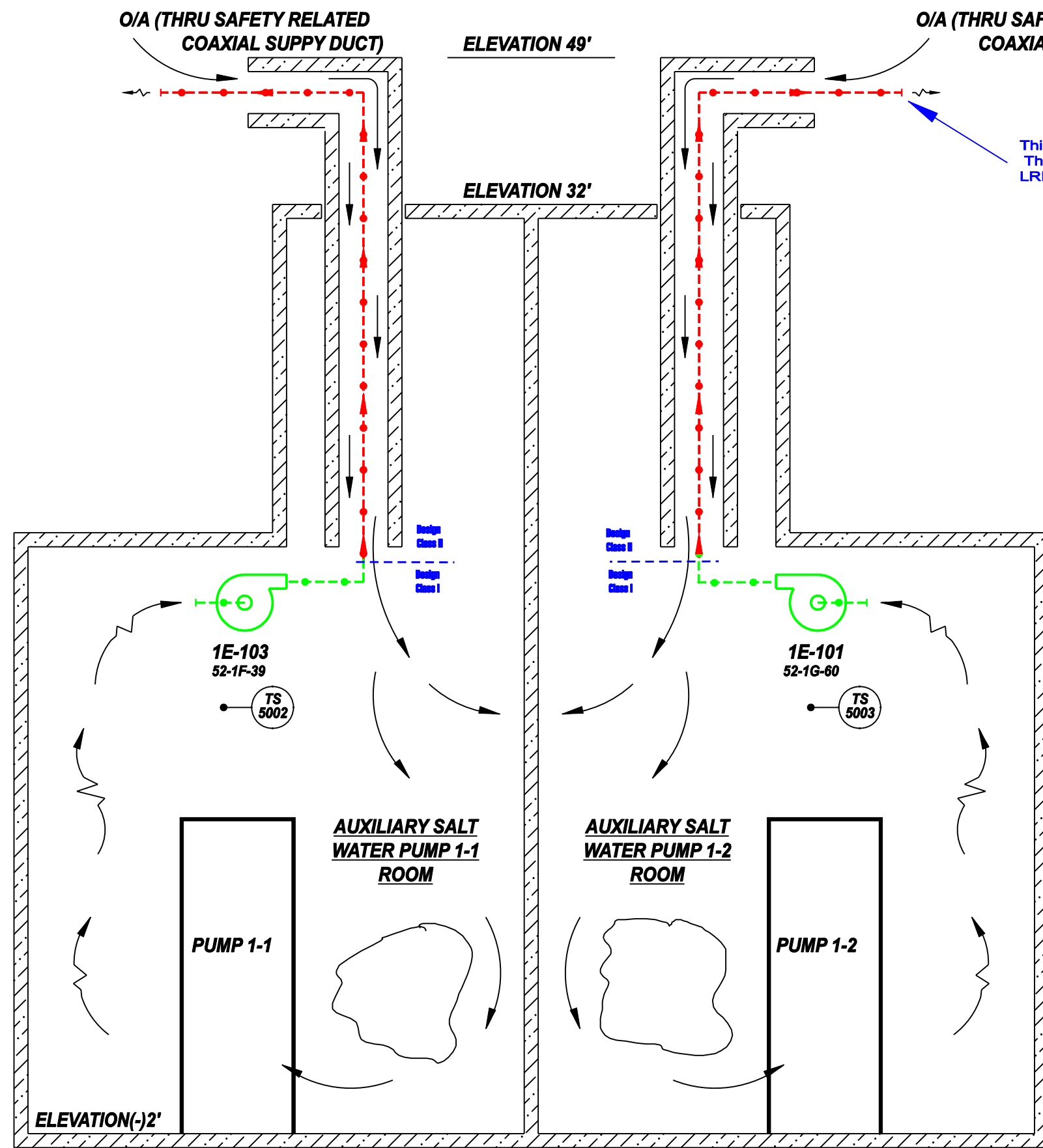
E

D

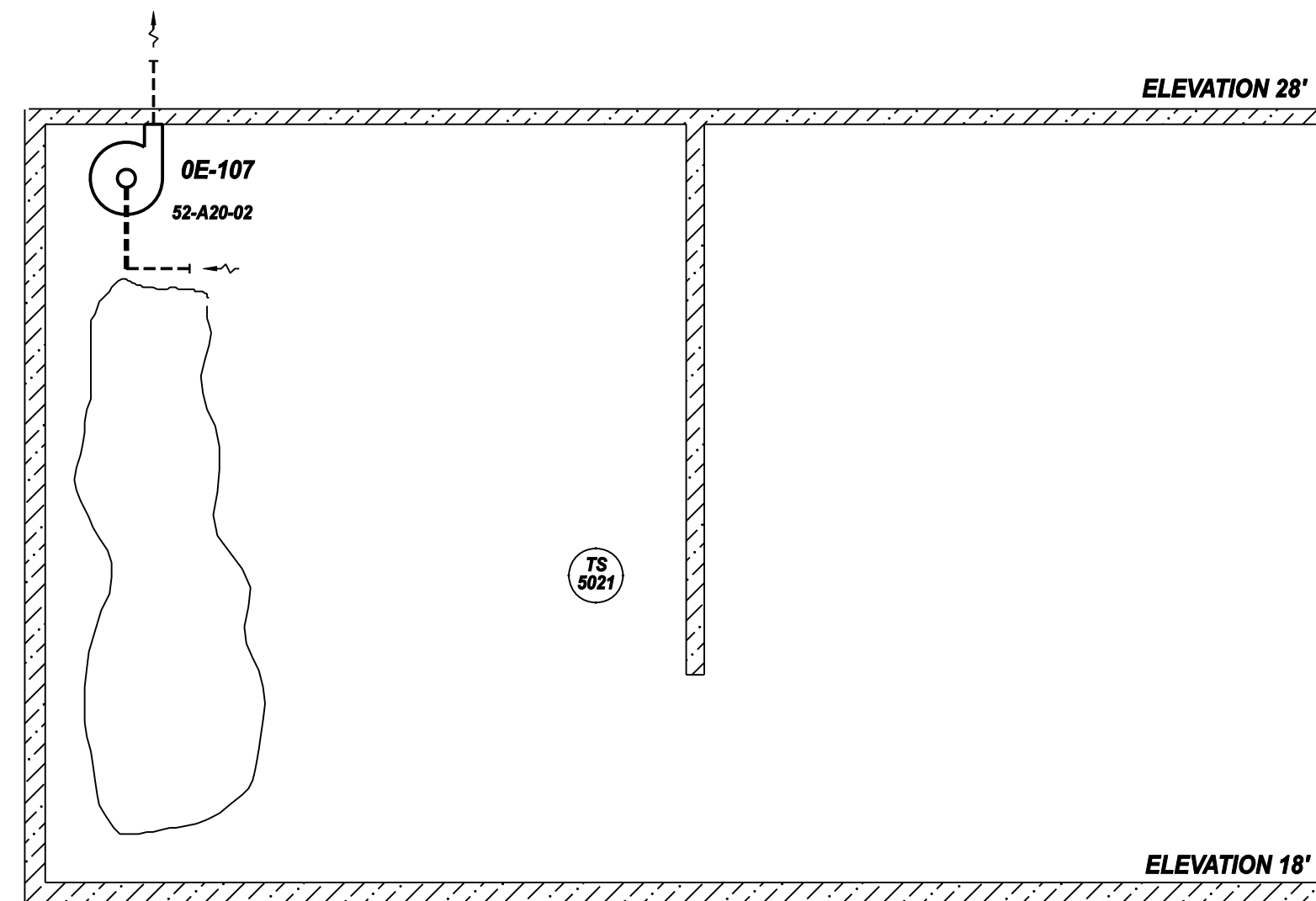
C

B

A



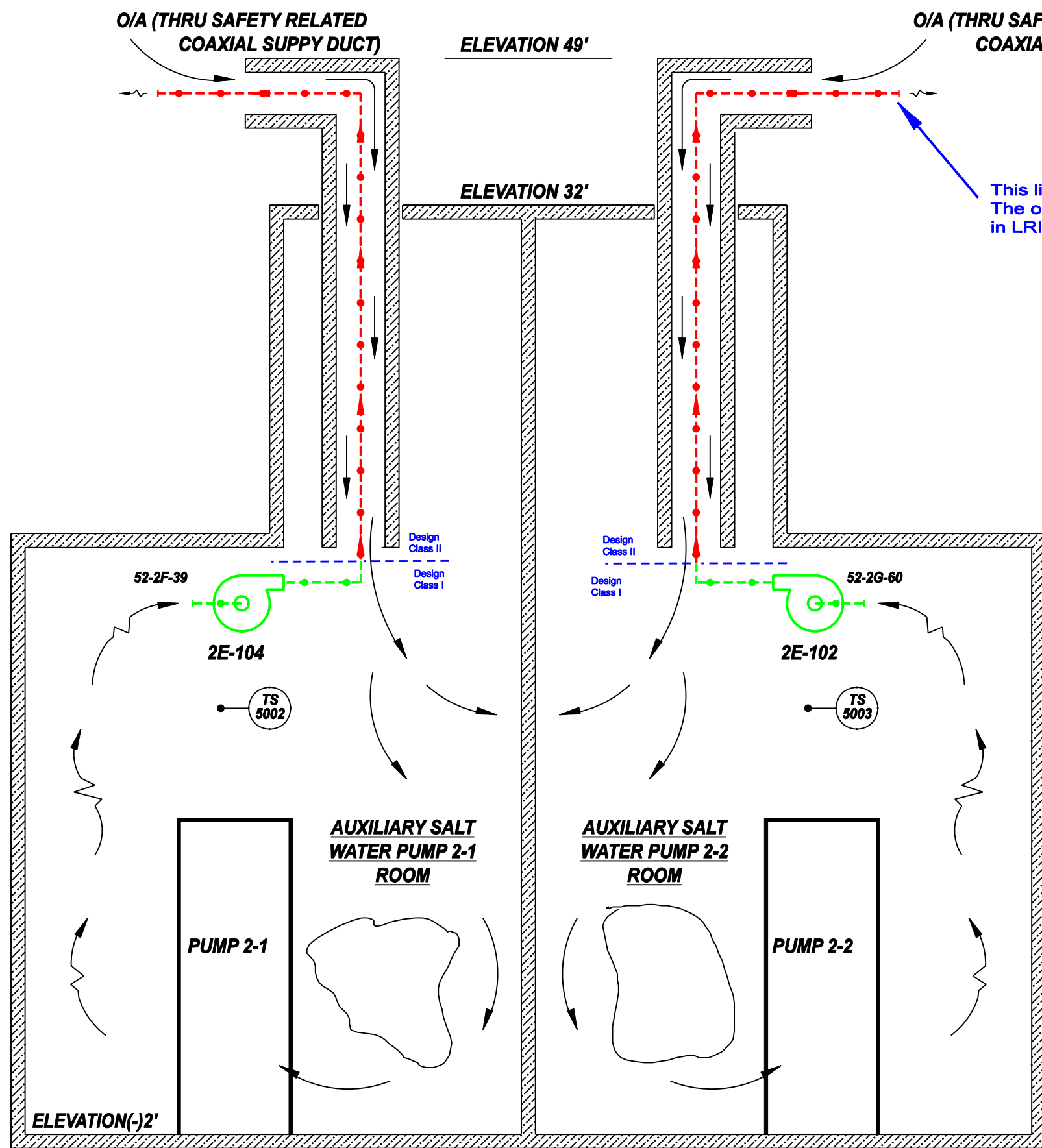
INTAKE STRUCTURE
AUXILIARY SALTWATER PUMP ROOM VENTILATION



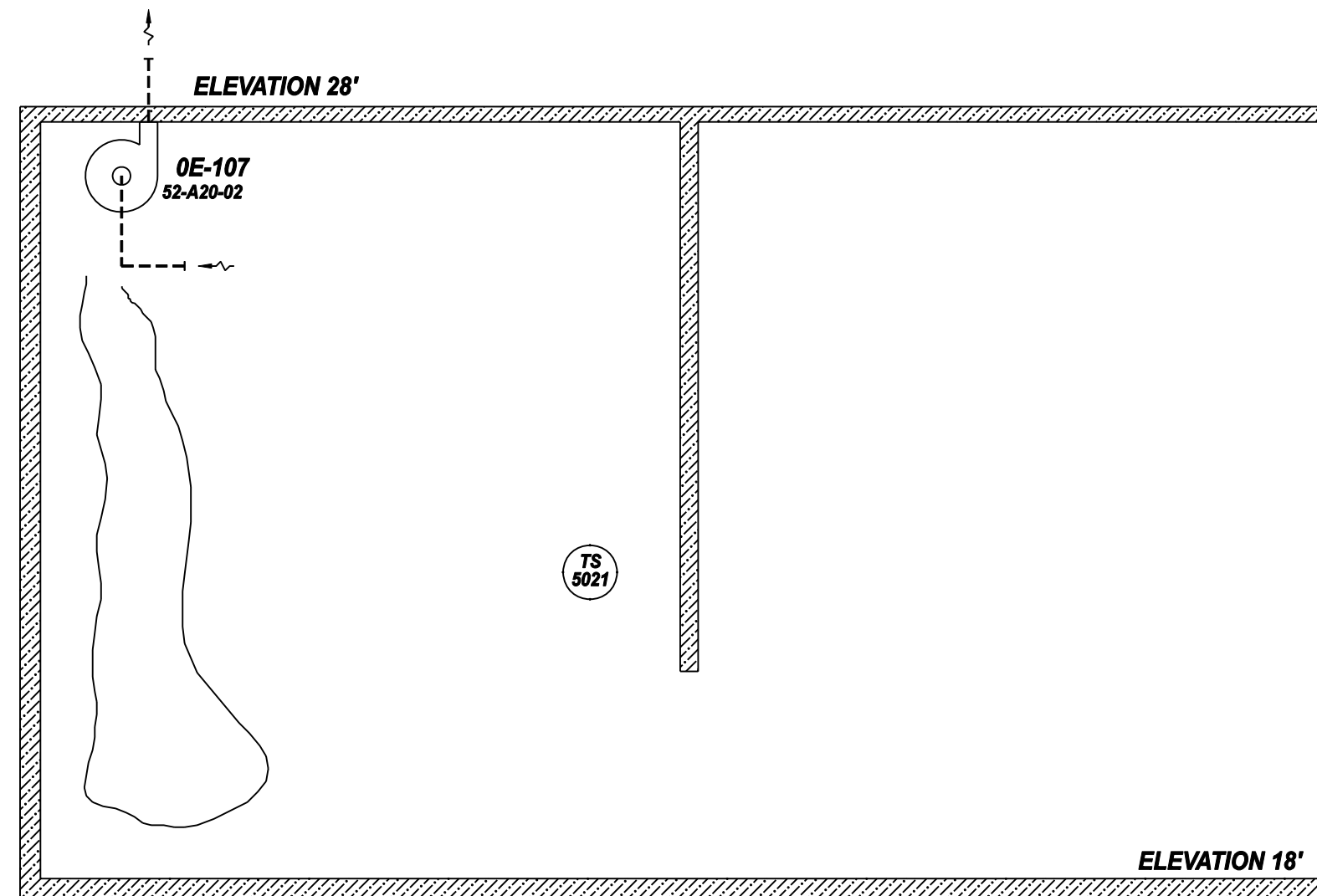
INTAKE STRUCTURE
SPARE ROOM
(ELEVATION 18'-0")

NOTES:
 1. FOR LEGEND - SEE SHT. 10

UNIT ONE	
LR BOUNDARY DRAWING NO.	REV.
LR-DCPP-23-106723-19	0



**INTAKE STRUCTURE
AUXILIARY SALTWATER PUMP ROOM VENTILATION**



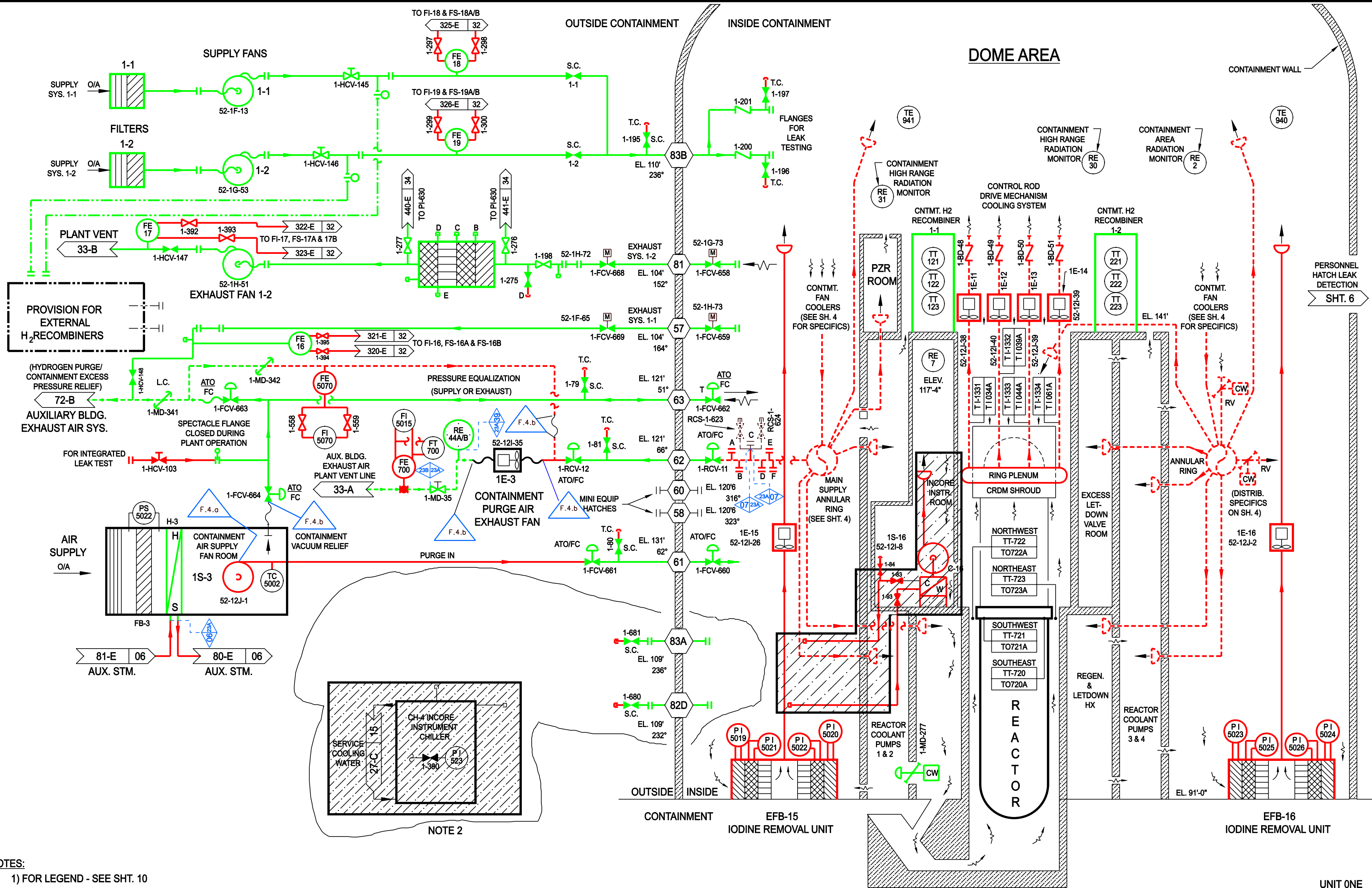
**INTAKE STRUCTURE
SPARE ROOM
(ELEVATION 18'-0")**

NOTE:
1. FOR LEGEND-SEE SHEET 10.

UNIT TWO

LR BOUNDARY DRAWING NO.	REV.
LR-DCPP-23-107723-19	0

106723-02
 106723-02
 106723-02



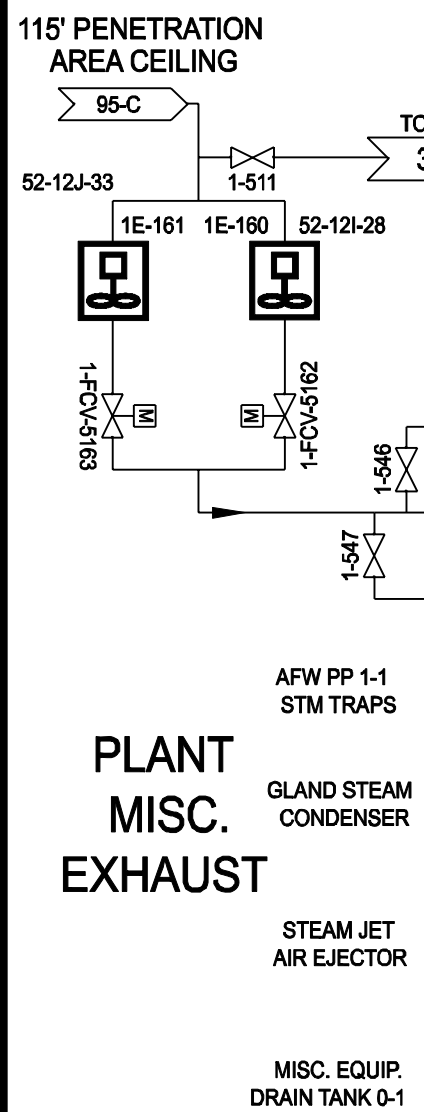
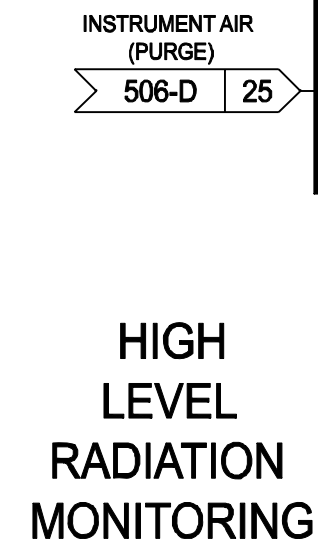
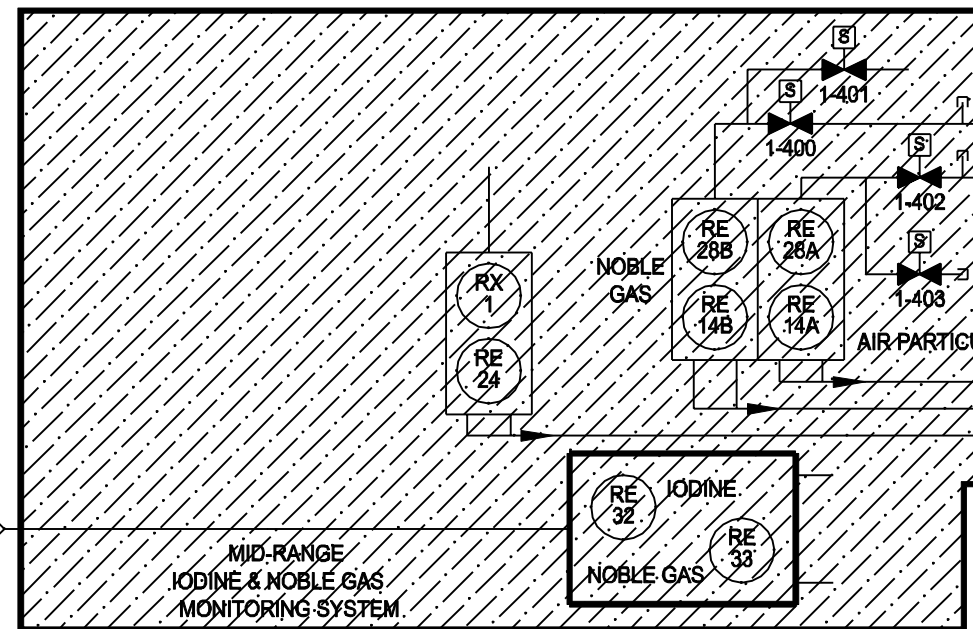
- NOTES:**
- 1) FOR LEGEND - SEE SHT. 10
 - 2.) SHADED AREAS ABANDONED EQUIP

CONTAINMENT ATMOSPHERE VENTILATION AND A/C PENETRATIONS

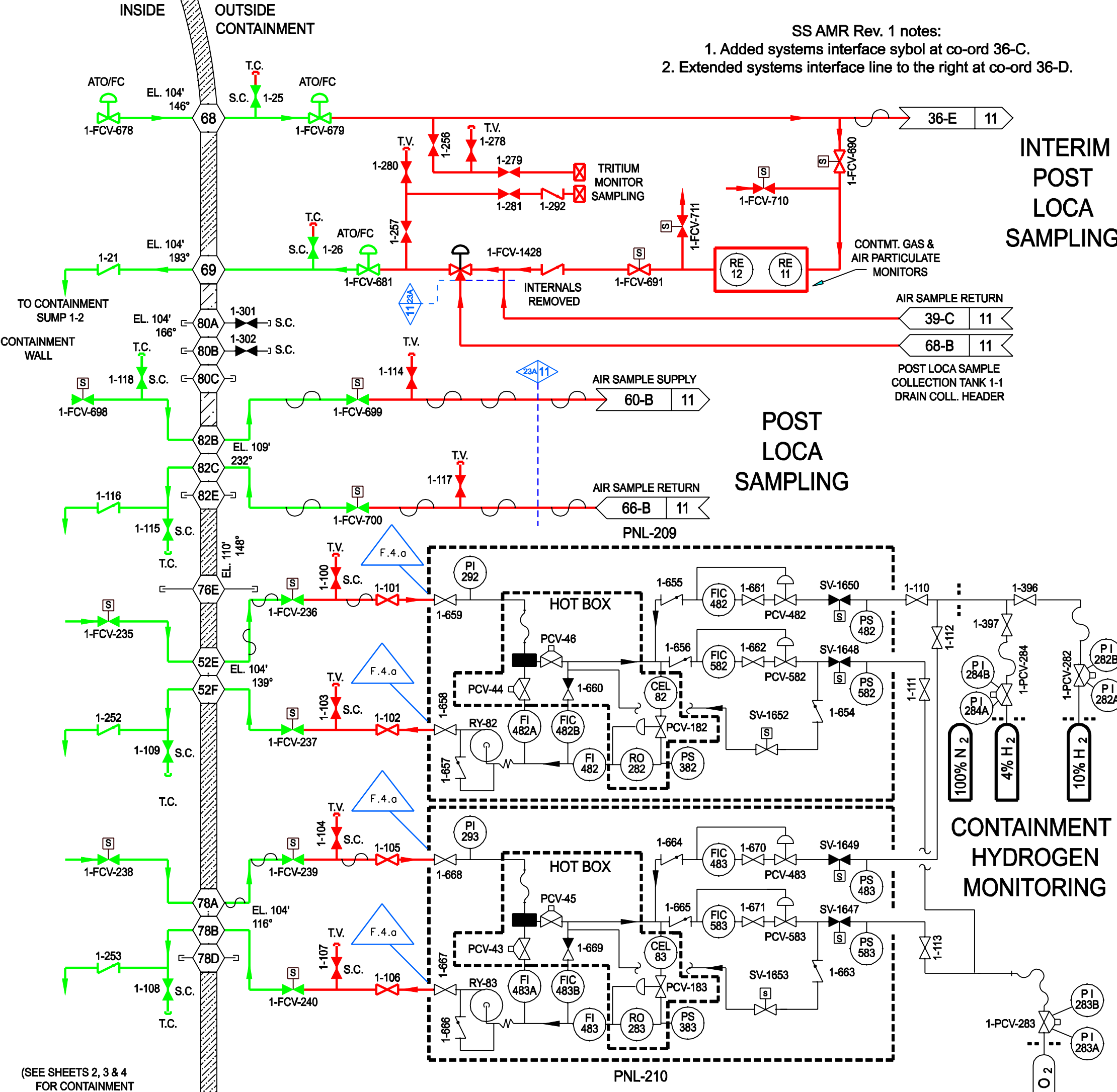
UNIT ONE	
LR BOUNDARY DRAWING NO.	REV.
LR-DCPP-23A-106723-02	0

PLANT VENT EXHAUST & MONITORS

Components outside of Containment are evaluated in System 23B



CONTAINMENT ATMOSPHERE MONITORS & SAMPLING



SS AMR Rev. 1 notes:
1. Added systems interface sybol at co-ord 36-C.
2. Extended systems interface line to the right at co-ord 36-D.

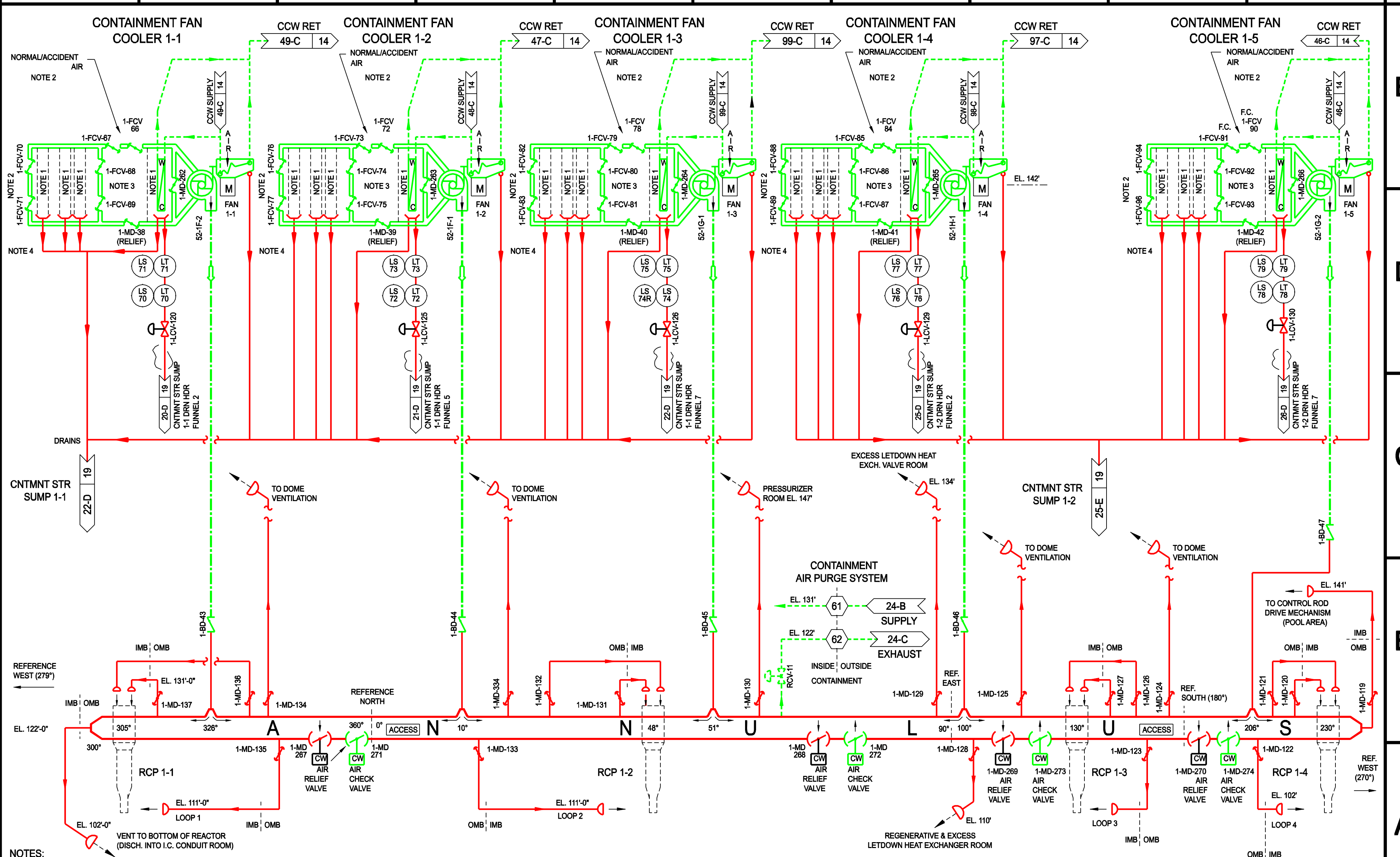
INTERIM POST LOCA SAMPLING
36-E 11
39-C 11
68-B 11

POST LOCA SAMPLING
60-B 11
66-B 11

CONTAINMENT HYDROGEN MONITORING
100% N₂
4% H₂
10% H₂

- NOTES:
1) FOR LEGEND - SEE SHT. 10
2) ABANDONED IN PLACE
FAILED OPEN
3) SHADED AREA ABAND EQUIP

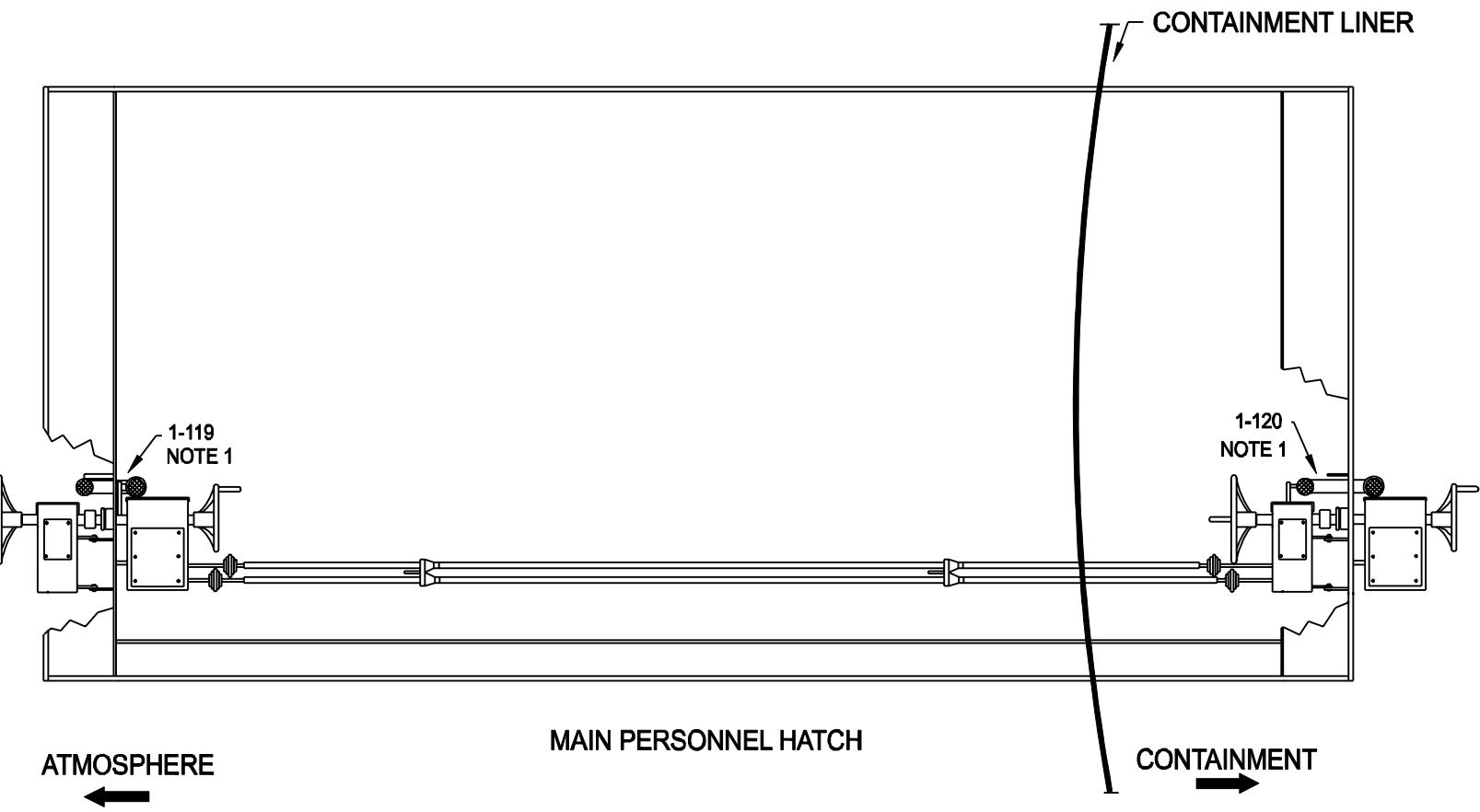
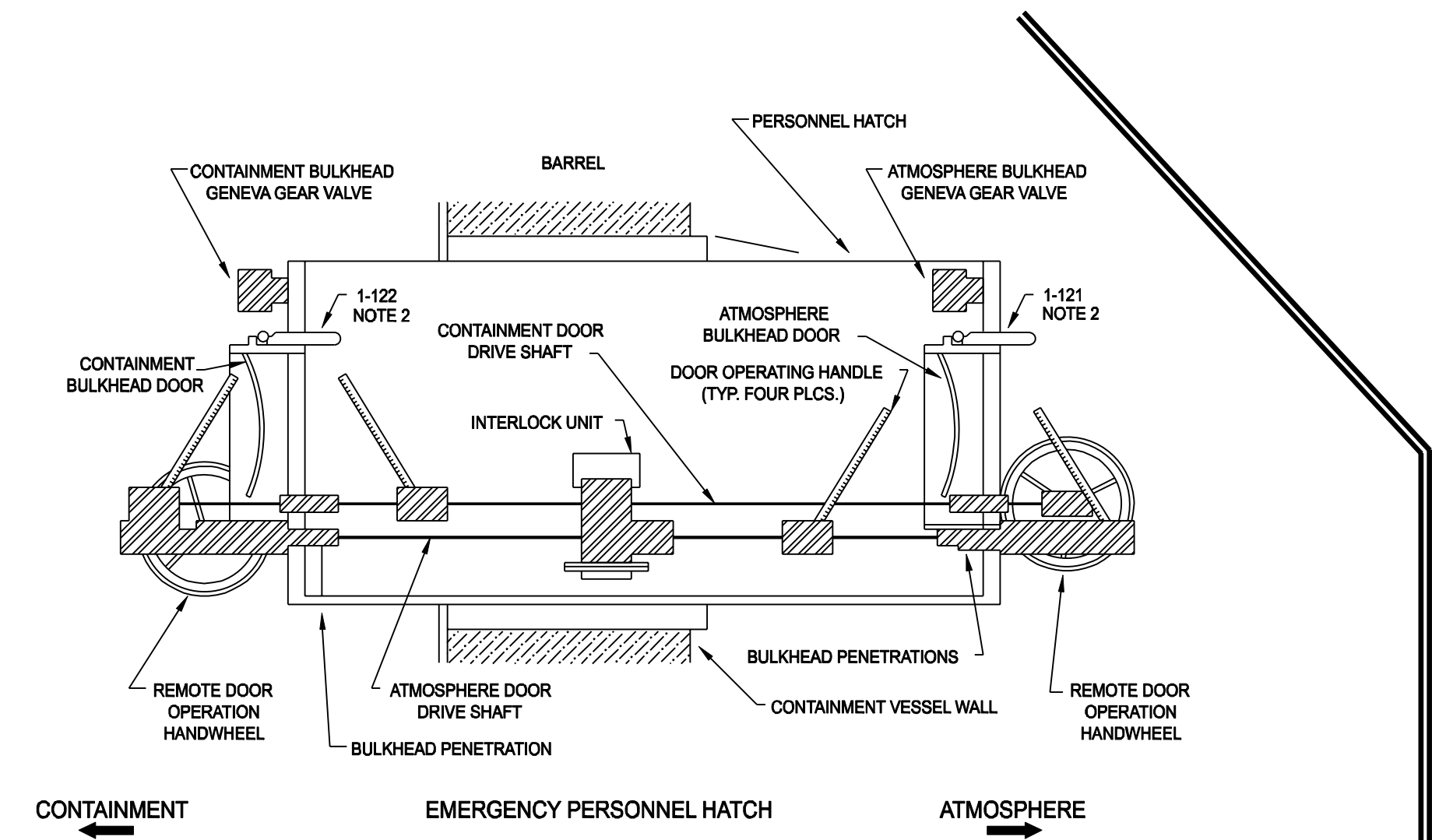
LR BOUNDARY DRAWING NO.	REV.
LR-DCPP-23A-106723-03	0



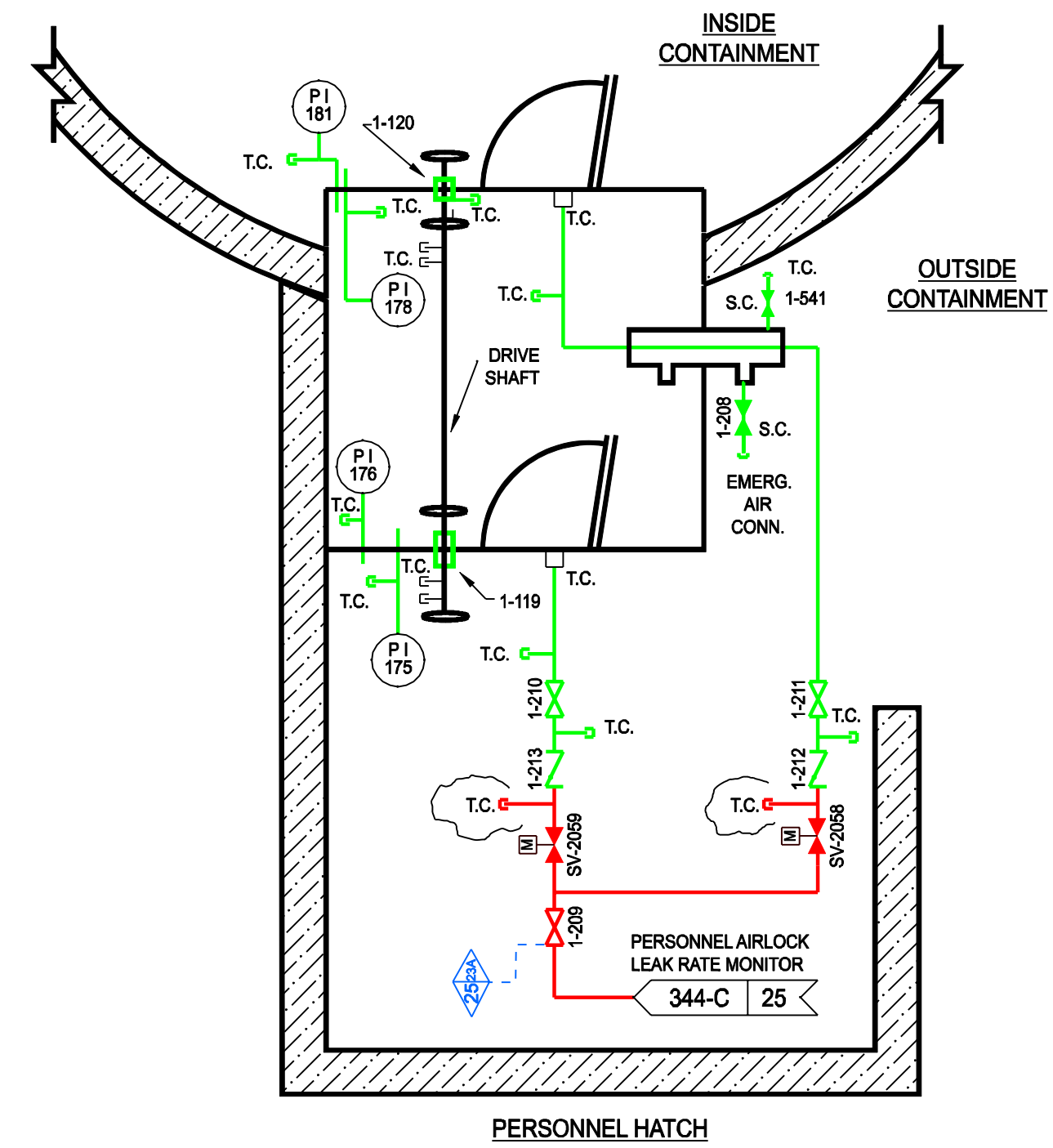
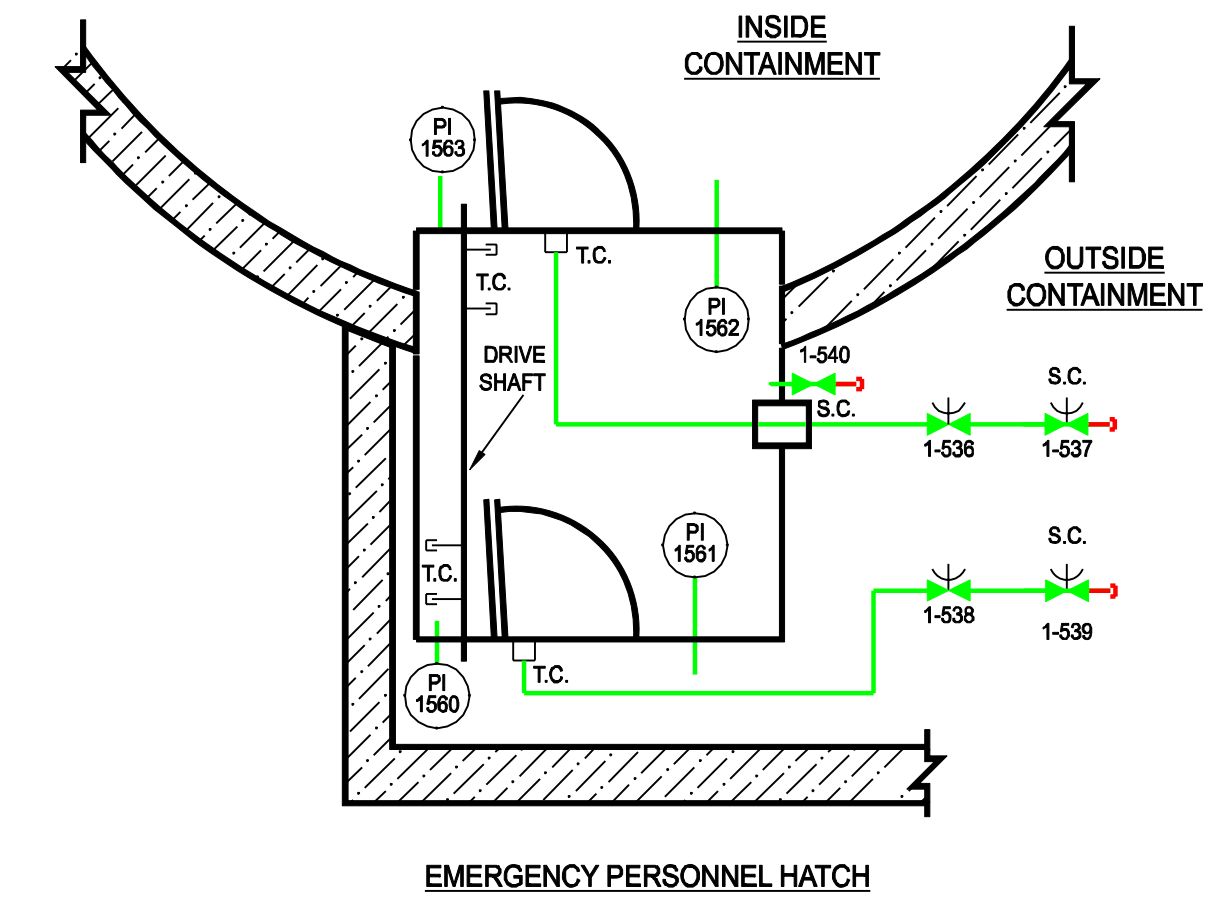
- NOTES:**
1. PROVISIONS FOR MOISTURE SEPARATORS, HEPA FILTERS CARBON FLTRS & ROUGHING FLTRS-NOT INSTALLED
 2. DAMPERS LOCKED OPEN (TYPICAL)
 3. DAMPERS LOCKED CLOSED (TYPICAL)
 4. DRAINS PLUGGED (TYP OF FLTR SECTION)
 5. FOR LEGEND SEE SHEET 10

CONTAINMENT AIR CIRCULATION

LR BOUNDARY DRAWING NO.	REV.
LR-DCPP-23A-106723-04	0

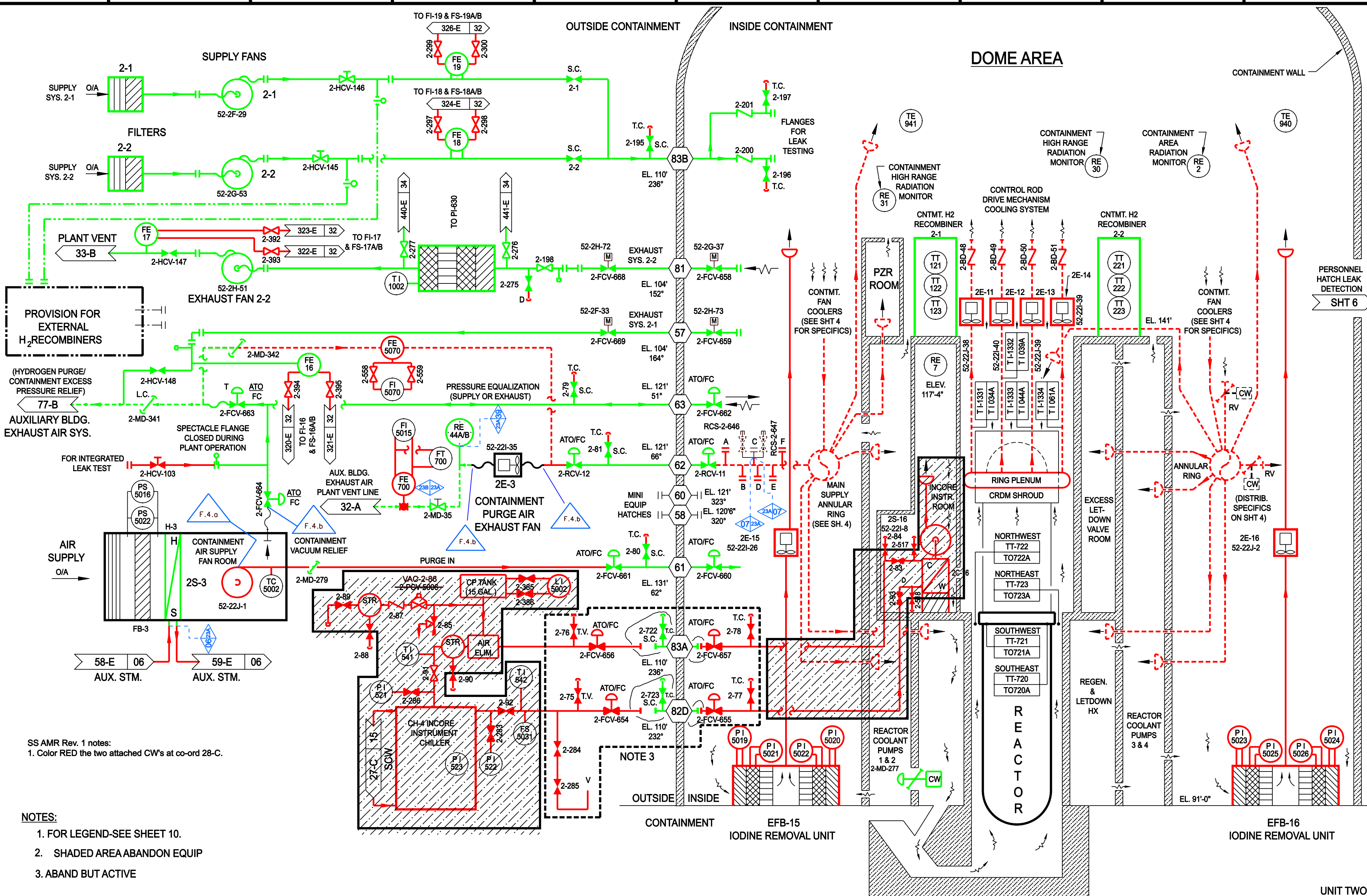


- NOTES:
1. EQUAL VENT VALVE (OPERATED BY EITHER HANDWHEEL)
 2. EQUAL VENT VALVE (OPERATED BY HANDWHEEL OR HANDLE)
 3. FOR LEGEND - SEE SHT. 10



UNIT ONE	
LR BOUNDARY DRAWING NO.	REV.
LR-DCPP-23A-106723-06	0

20 21 22 23 24 25 26 27 28 29
 A B C D E



SS AMR Rev. 1 notes:
 1. Color RED the two attached CW's at co-ord 28-C.

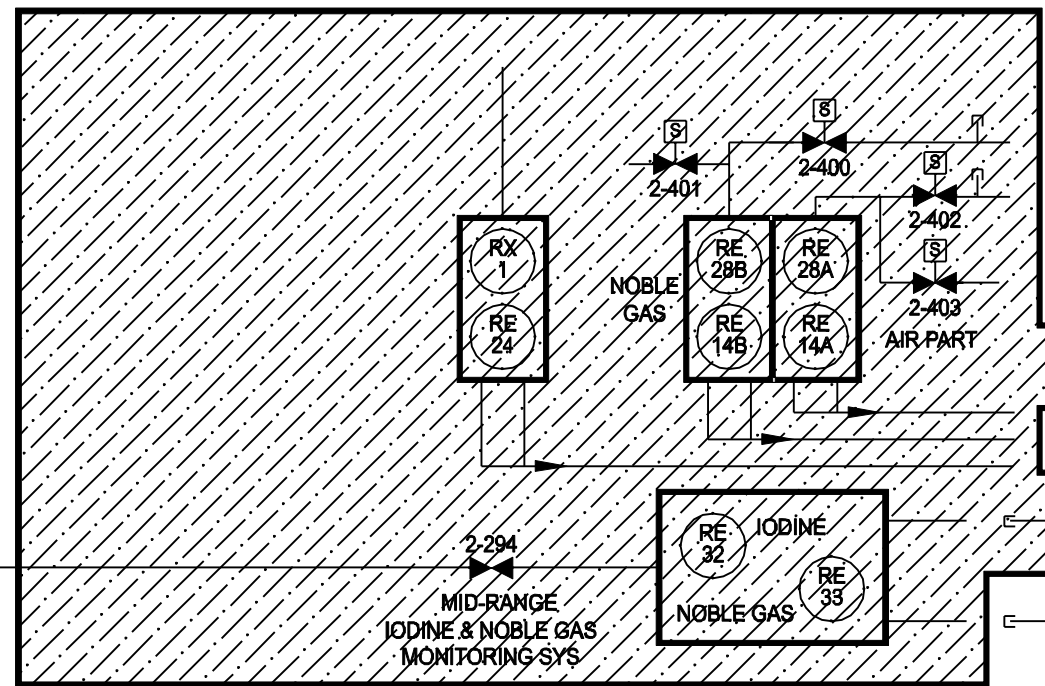
- NOTES:**
- FOR LEGEND-SEE SHEET 10.
 - SHADED AREA ABANDON EQUIP
 - ABAND BUT ACTIVE

CONTAINMENT ATMOSPHERE VENTILATION AND AC PENETRATIONS

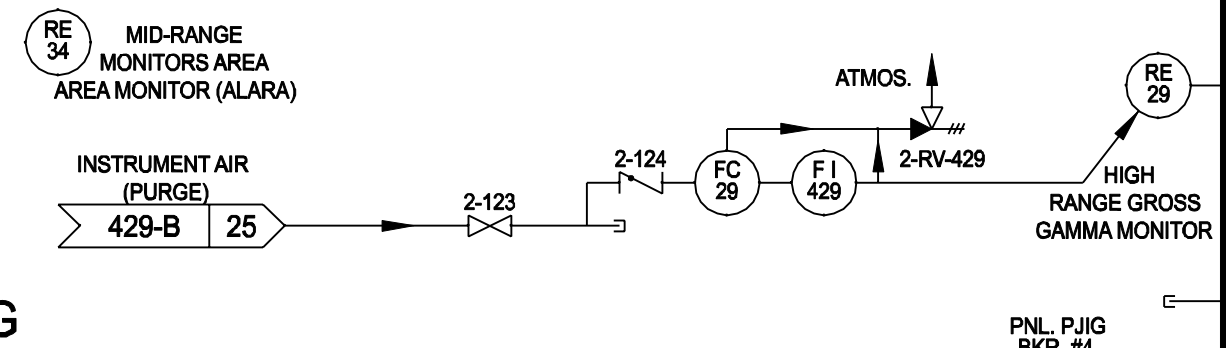
LR BOUNDARY DRAWING NO.	REV.
LR-DCPP-23A-107723-02	0

PLANT VENT EXHAUST & MONITORS

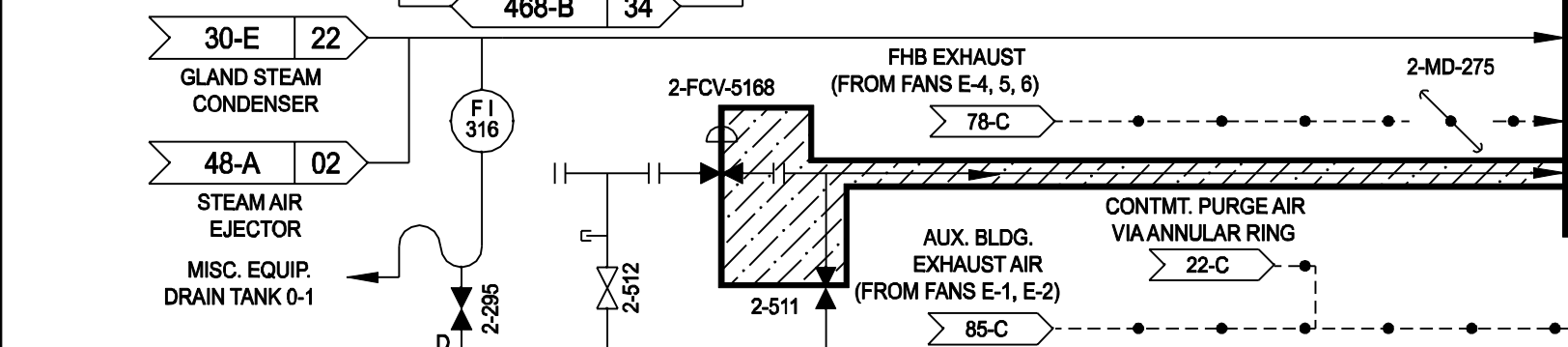
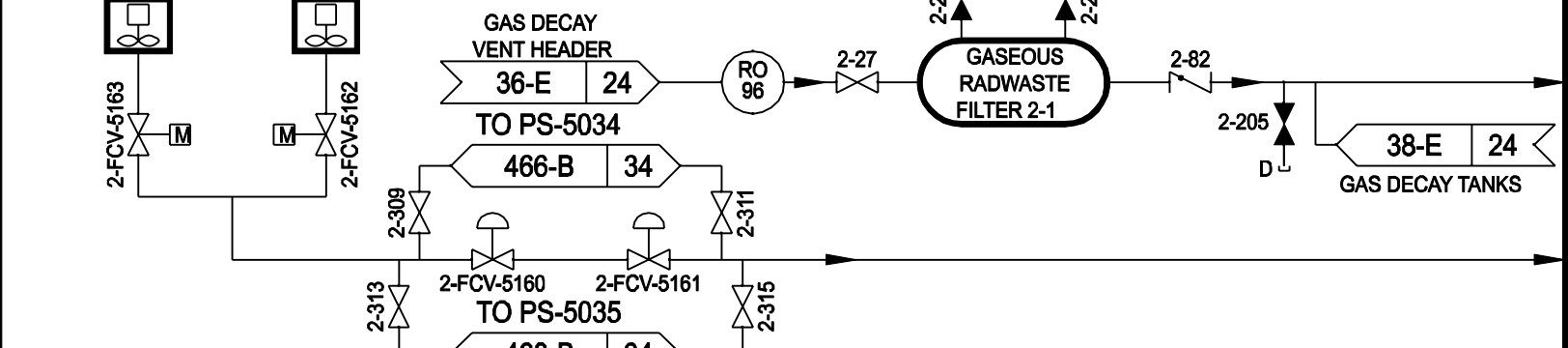
Components outside of Containment are evaluated in System 23B



HIGH LEVEL RADIATION MONITORING

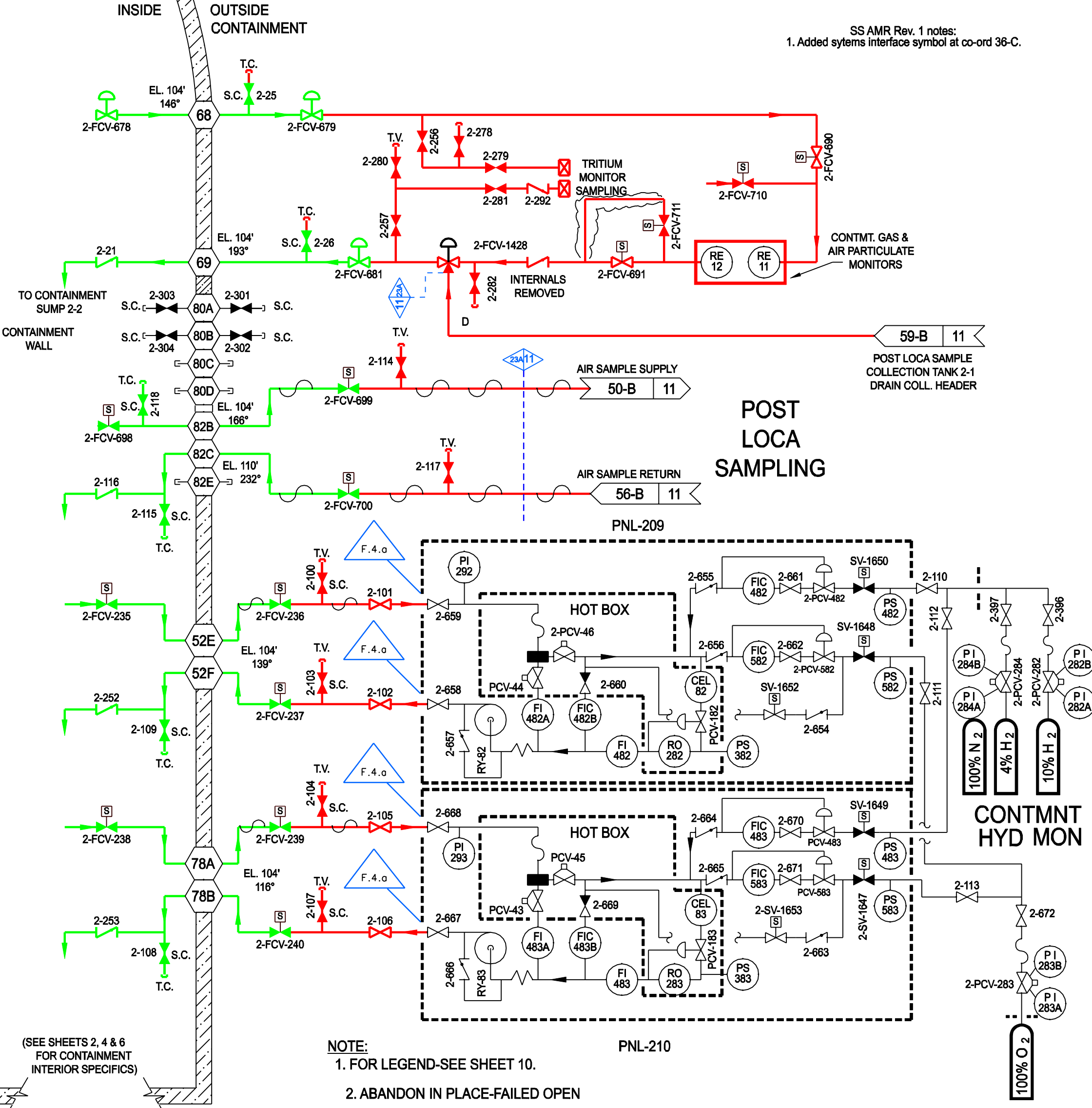


115' PENETRATION AREA CEILING



PLANT MISC. EXHAUST

CONTAINMENT ATMOSPHERE MONITORS & SAMPLING

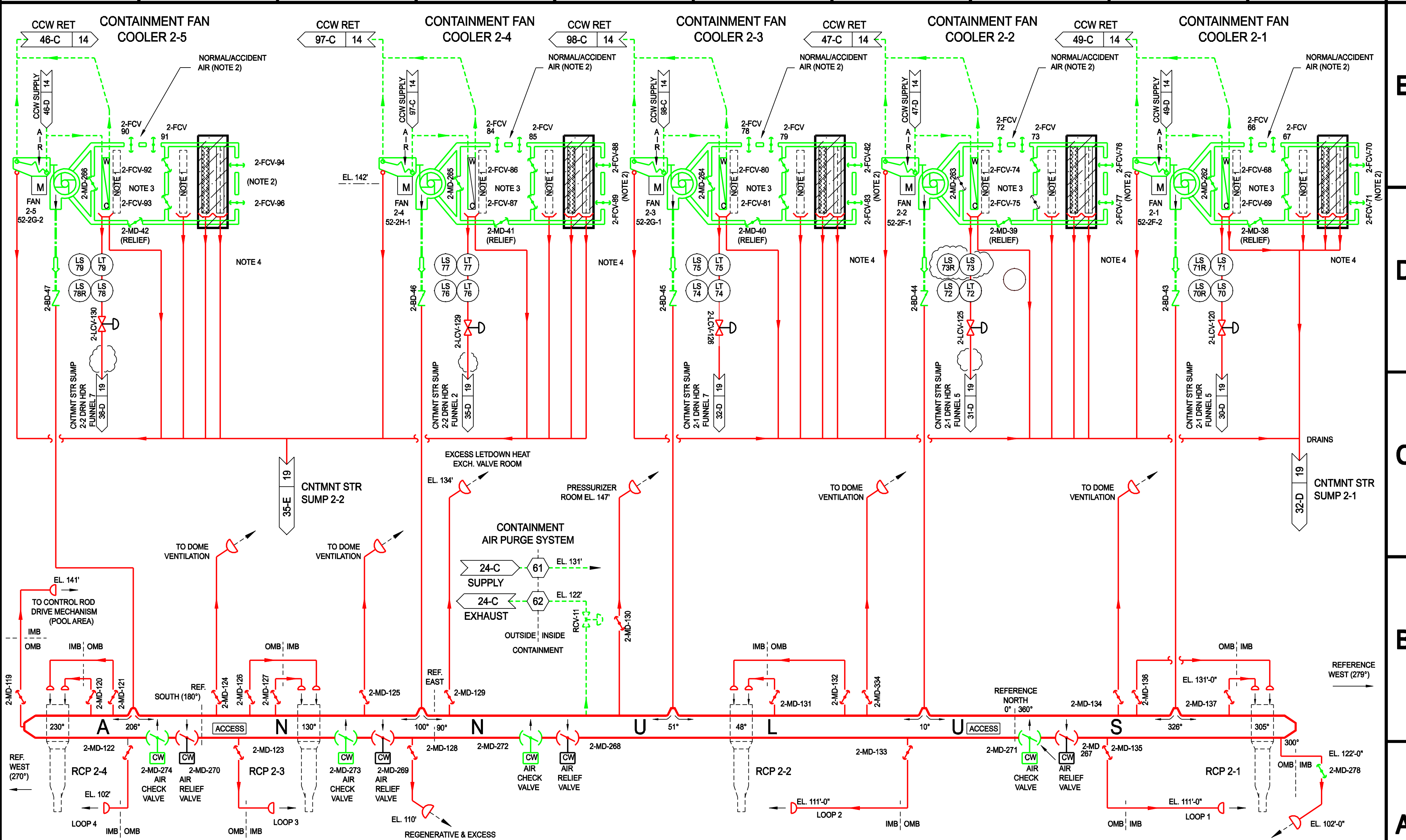


SS AMR Rev. 1 notes:
1. Added systems interface symbol at co-ord 36-C.

(SEE SHEETS 2, 4 & 6 FOR CONTAINMENT INTERIOR SPECIFICS)

- NOTE:**
1. FOR LEGEND-SEE SHEET 10.
 2. ABANDON IN PLACE-FAILED OPEN
 3. SHADED AREA ABANDONED EQUIP

LR BOUNDARY DRAWING NO.	REV.
LR-DCPP-23A-107723-03	0



- NOTES:**
1. PROVISION FOR CHARCOAL/ROUGHING FILTER-NOT INSTALLED
 2. DAMPERS LOCKED OPEN (TYPICAL)
 3. DAMPERS LOCKED CLOSED (TYPICAL)
 4. DRAINS PLUGGED (TYP OF FLTR SECTION)
 5. FOR LEGEND SEE SHEET 10
 6. SHADED AREAS ABANDONED EQUIPMENT

UNIT TWO	
LR BOUNDARY DRAWING NO.	REV.
LR-DCPP-23A-107723-04	0

CONTAINMENT AIR CIRCULATION

PLANT VENT EXHAUST & MONITORS

Plant Vent is evaluated under LRID ZC

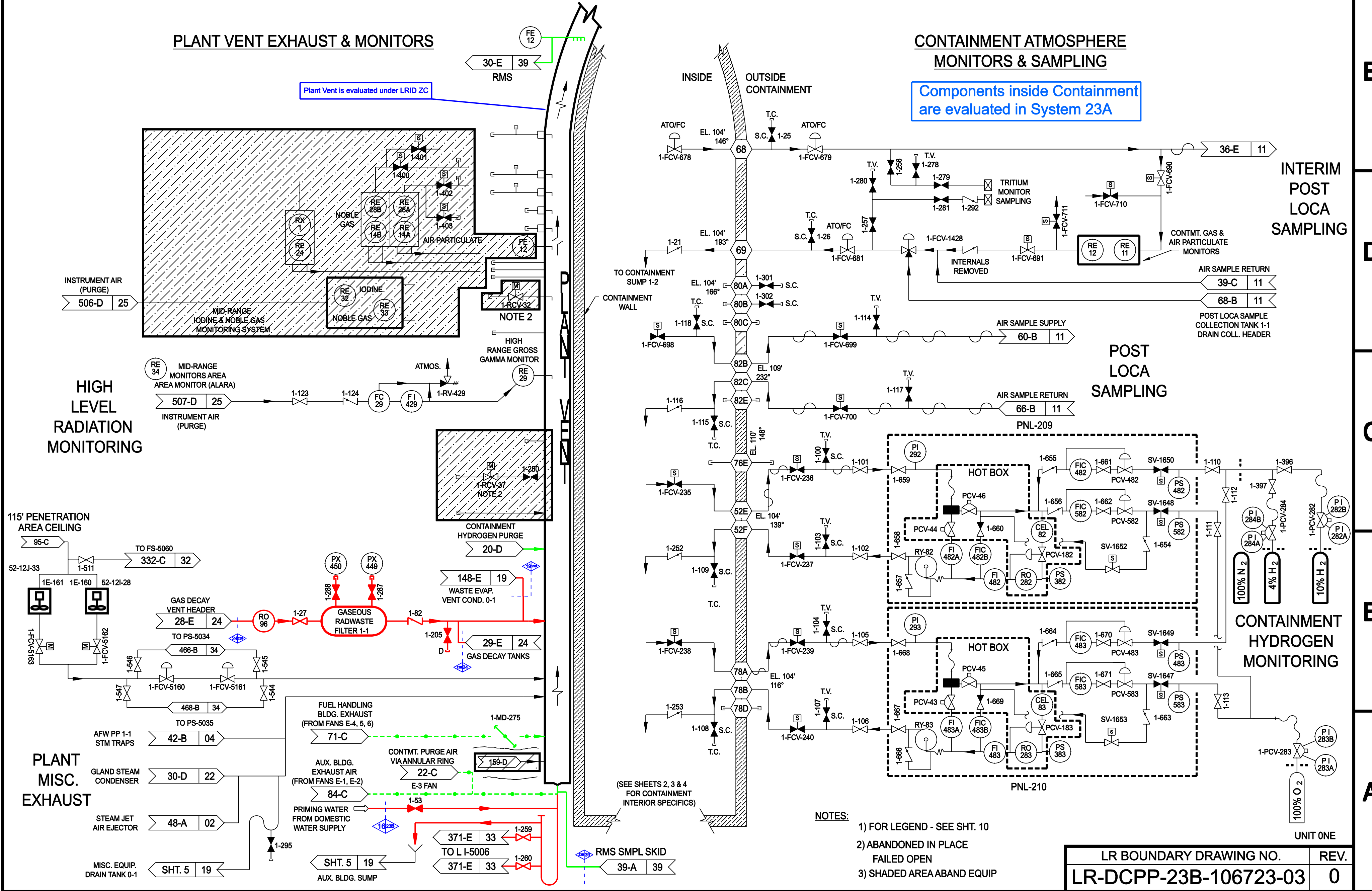
CONTAINMENT ATMOSPHERE MONITORS & SAMPLING

Components inside Containment are evaluated in System 23A

INTERIM POST LOCA SAMPLING

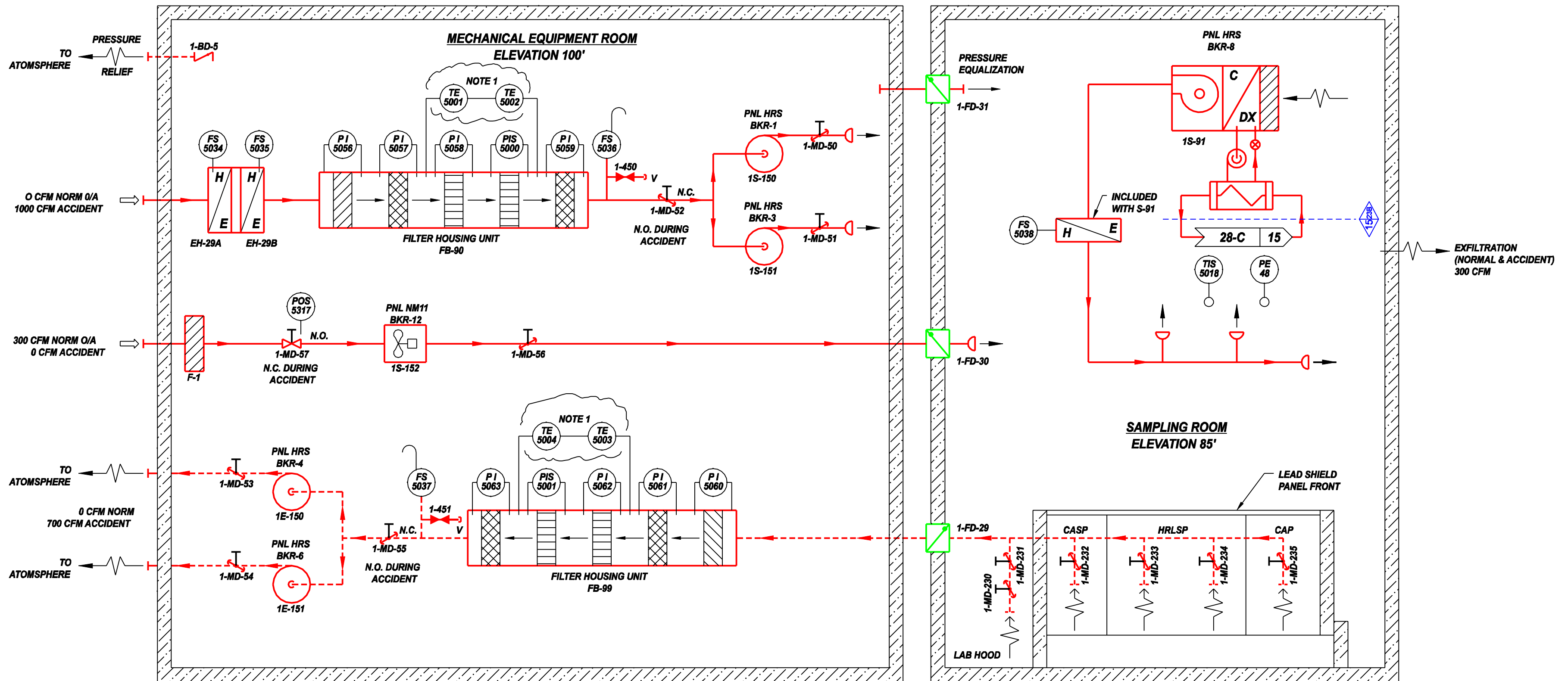
POST LOCA SAMPLING

CONTAINMENT HYDROGEN MONITORING



- NOTES:
- 1) FOR LEGEND - SEE SHT. 10
 - 2) ABANDONED IN PLACE
FAILED OPEN
 - 3) SHADED AREA ABAND EQUIP

LR BOUNDARY DRAWING NO.	REV.
LR-DCPP-23B-106723-03	0

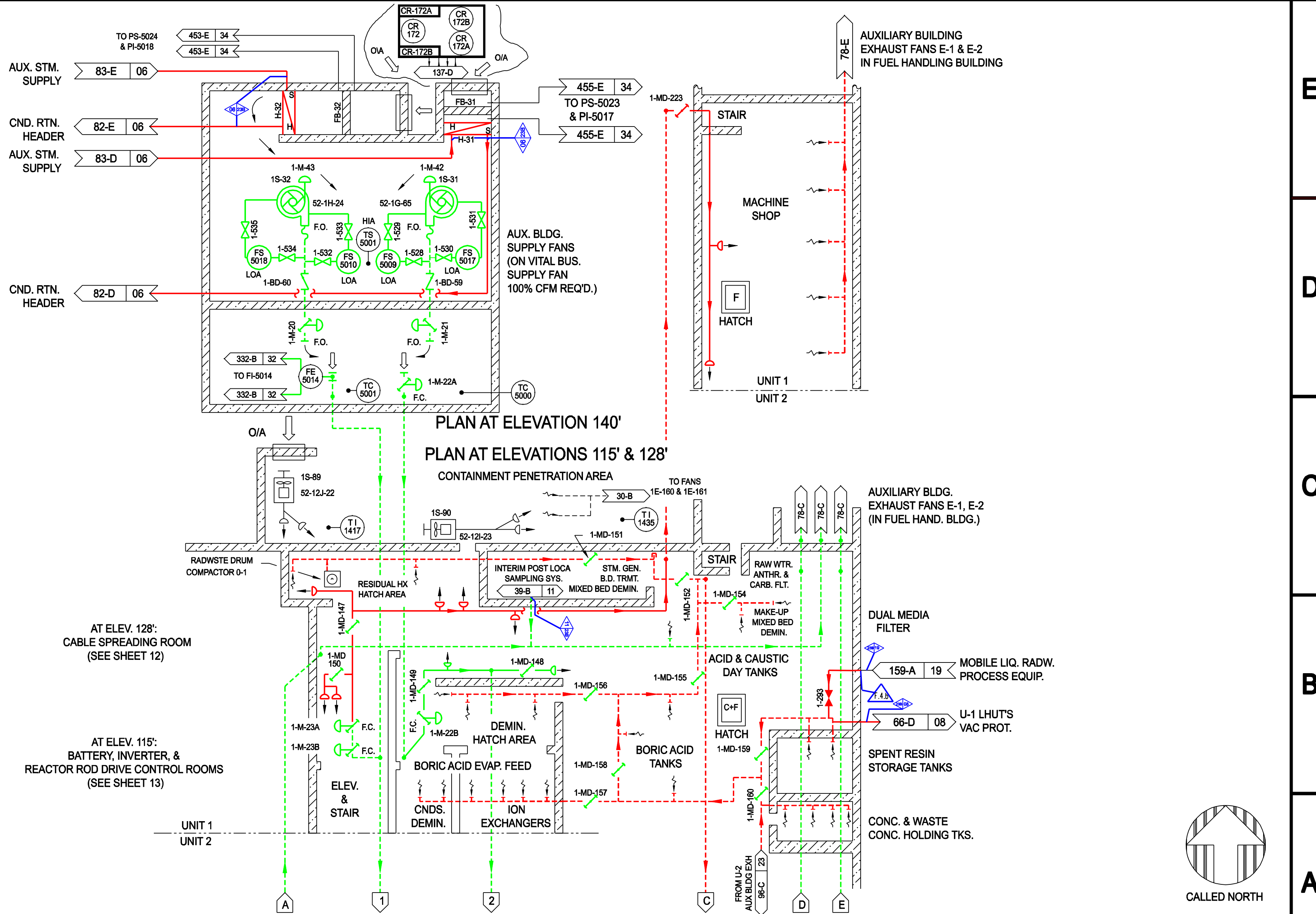


- NOTES:**
- 1. LOCAL HI TEMP ALARM
 - 2. FOR LEGEND - SEE SHT. 10

POST LOCA SAMPLING SYSTEM HVAC

UNIT ONE

LR BOUNDARY DRAWING NO.	REV.
LR-DCPP-23B-106723-05	0



NOTES:
1) FOR LEGEND - SEE SHEET 10

CONTINUED ON SHEET 10 (TOP)
AUXILIARY BUILDING HVAC (ENGINEERED SAFETY EQUIPMENT AREA)

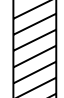
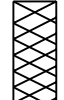

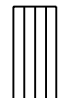
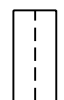



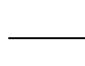
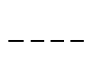


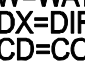


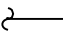




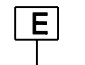
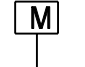


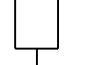

LR BOUNDARY DRAWING NO.	REV.
LR-DCPP-23B-106723-09	0

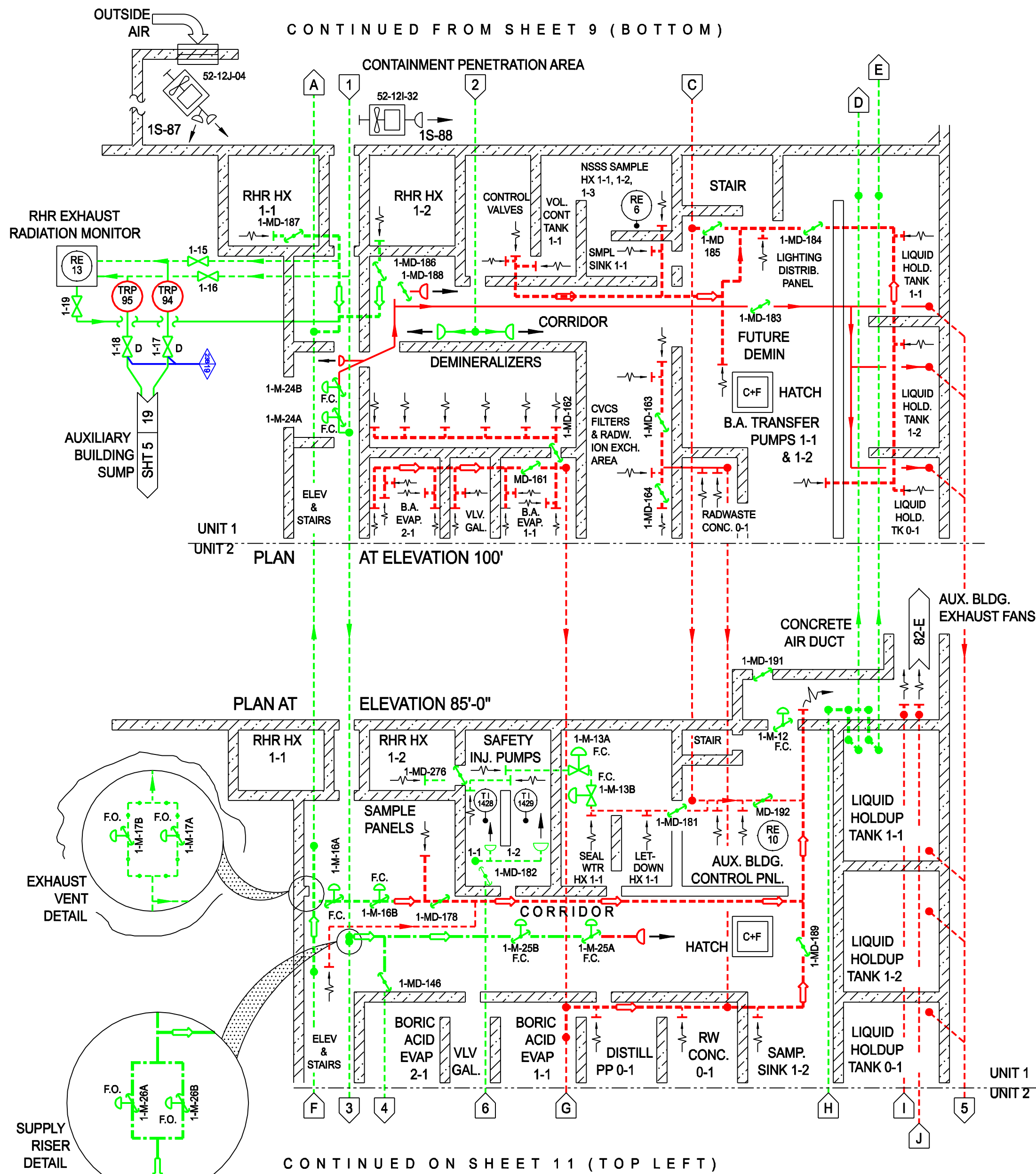


UNIT ONE

CONTINUED FROM SHEET 9 (BOTTOM)

LEGEND

-  ROUGHING FILTER
-  HEPA FILTER
-  CHARCOAL FILTER
-  LOUVRE
-  MOISTURE SEPARATOR
-  HEATING COIL
-  COOLING COIL
-  RECORDING USAGE CLOCK
-  SPLY AIR DIFFUSER
-  EXH AIR REGISTER
-  E=ELECTRIC
-  S=STEAM
-  W=WATER
-  DX=DIRECT EXPANSION
-  CD=CONDENSER
-  SPLY AIR DUCT - CLASS II & III
-  SPLY AIR DUCT - CLASS I
-  EXH AIR DUCT - CLASS II & III
-  EXH AIR DUCT - CLASS I
-  COUNTER WEIGHT
-  ELECTRIC OPERATOR
-  MOTOR OPERATOR
-  PNEUMATIC OPERATOR
-  MANUAL OPERATOR
-  SMOKE DETECTOR
-  THERMOSTATIC AIR VENT



480V AC SWITCHGEAR ROOM (SEE SHEET 13)

AUXILIARY BUILDING ACCESS CONTROL AREA (SEE SHEET 15)

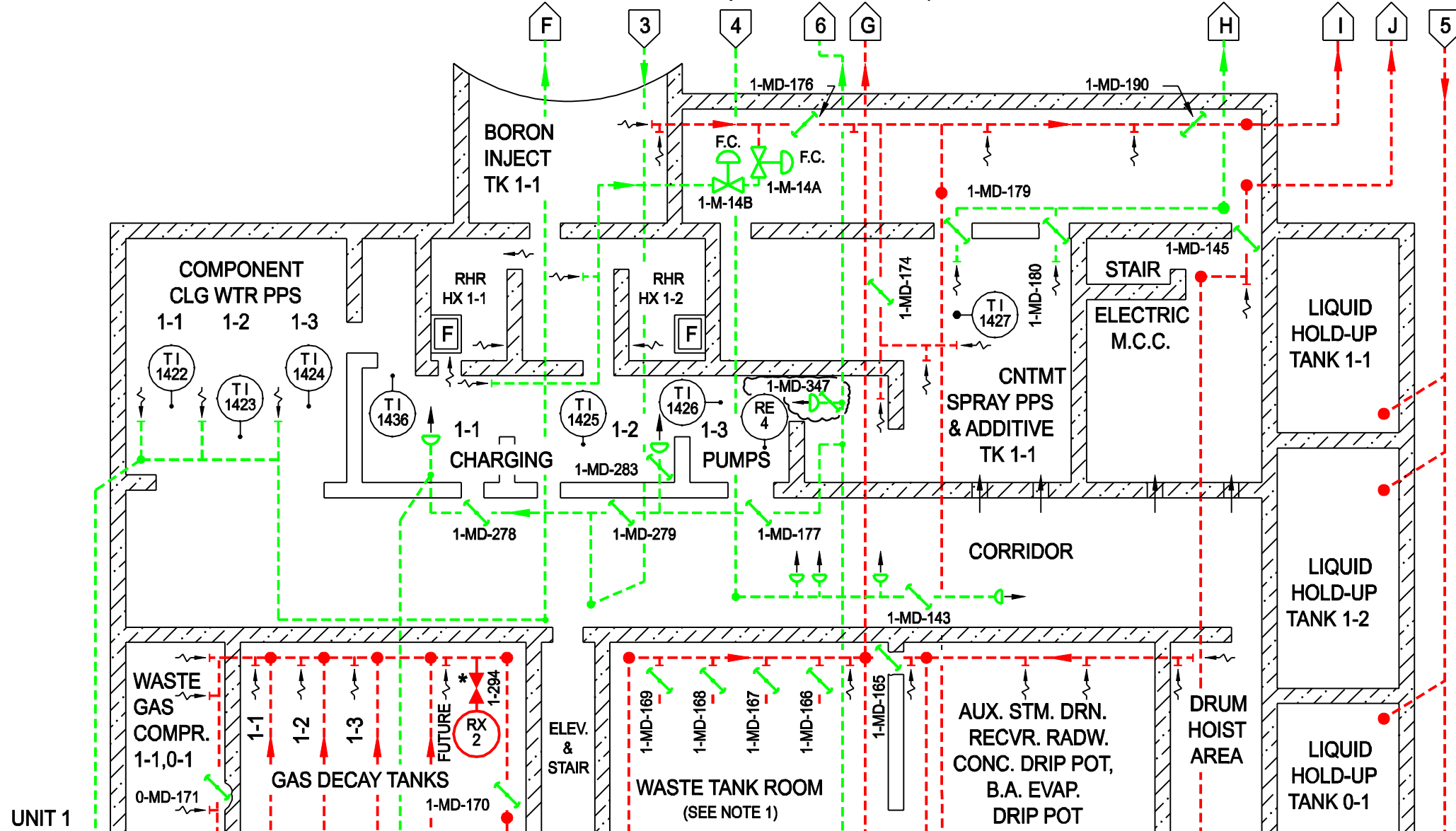
CONTINUED ON SHEET 11 (TOP LEFT)

AUXILIARY BUILDING HVAC
(ENGINEERED SAFETY EQUIPMENT AREA)

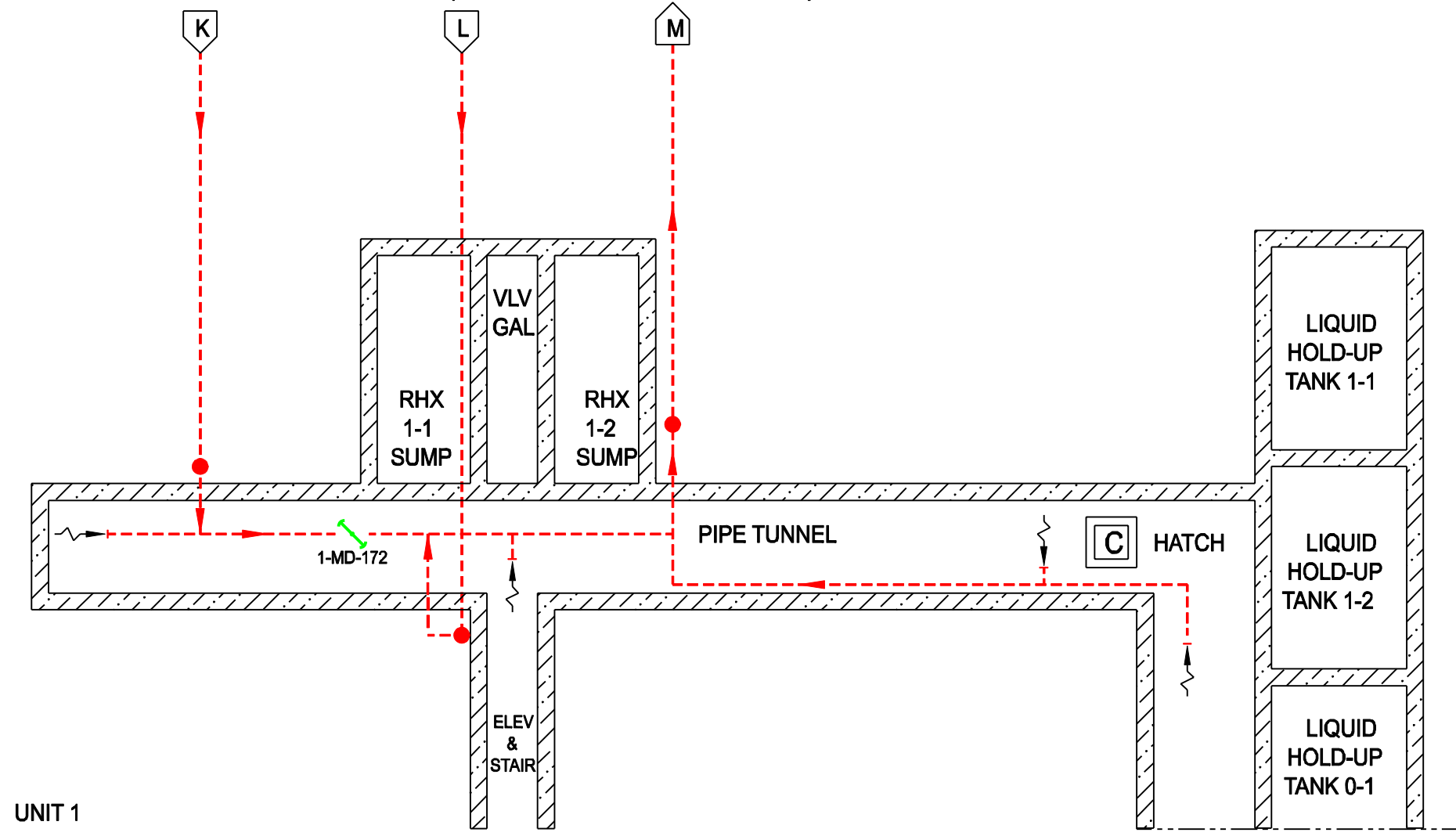
UNIT ONE	
LR BOUNDARY DRAWING NO.	REV.
LR-DCPP-23B-106723-10	0

CONTINUED FROM SHEET 10 (BOTTOM)

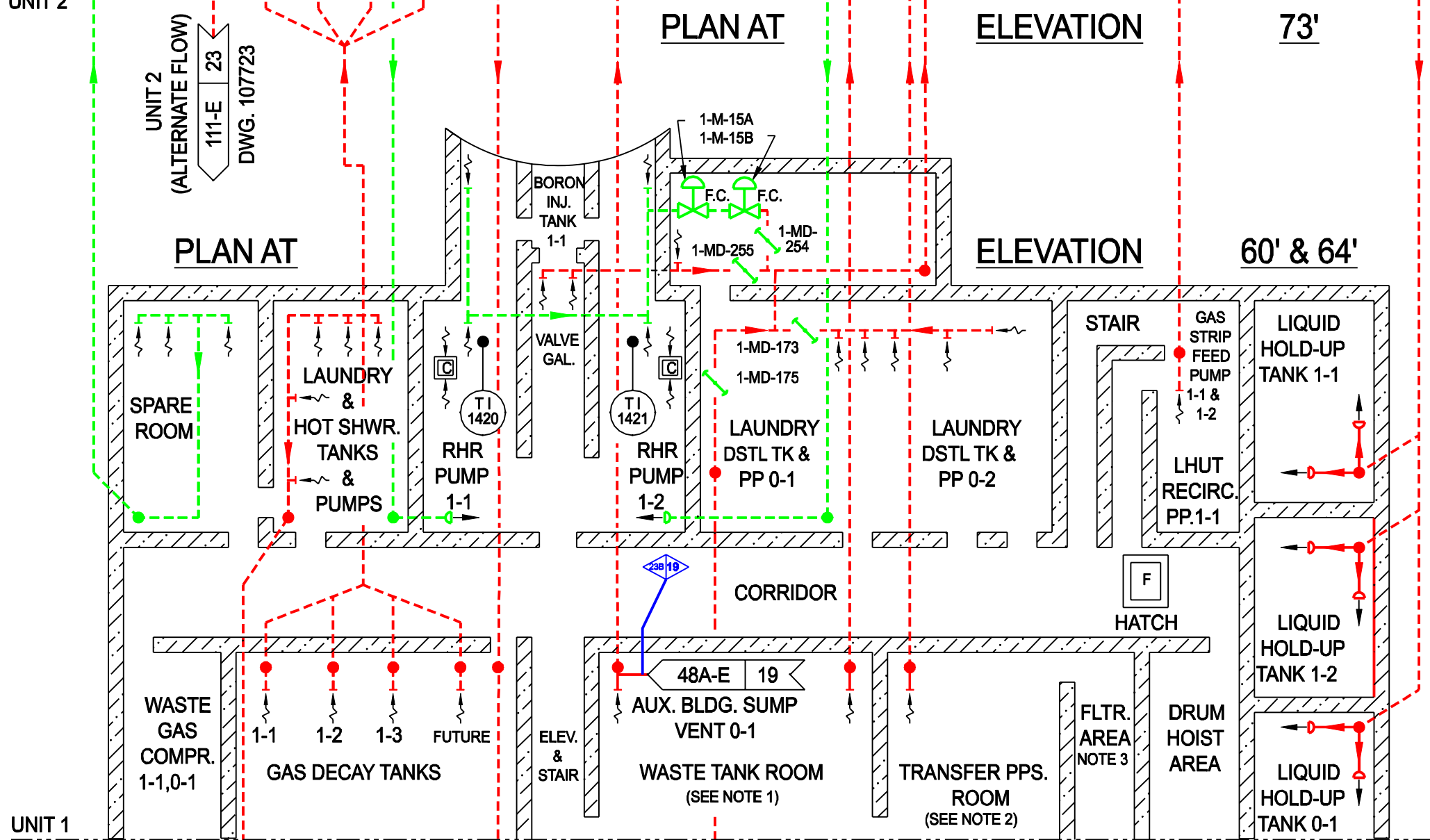
CONTINUED (BOTTOM LEFT)



PLAN AT ELEVATION 73'



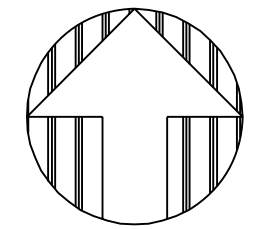
PLAN AT ELEVATION 54'



PLAN AT ELEVATION 60' & 64'

NOTES:

1. WASTE TANK ROOM SHOWN ON ELEVATIONS 64' AND 73' CONTAINS:
 - A. DEMIN REGENERANT RECEIVER TK 0-1
 - B. EQUIPMENT DRAIN RECEIVER TK 0-1
 - C. FLOOR DRAIN RECEIVER TK 0-1
 - D. PROCESSED WASTE RCVR TK 0-1
2. TRANSFER PUMPS ROOM ON ELEVATION 64' INCLUDE:
 - A. PROCESSED WASTE PP 0-1
 - B. FLOOR DRAIN RECEIVER PUMP 0-1
 - C. DEMIN. REGEN. RECEIVER PUMP 0-1
 - D. EQUIPMENT DRAIN RECEIVER PUMP 0-1
 - E. MOTIVE WATER PUMP 0-1
 - F. AUXILIARY STEAM DRAIN RECEIVER PUMP 0-1
3. FILTER AREA ON ELEVATION 64' CONTAINS:
 - A. CNDS FILTER 1-1
 - B. LIQUID RADWASTE FILTER 0-1 & 0-2
4. FOR LEGEND - SEE SHT. 10

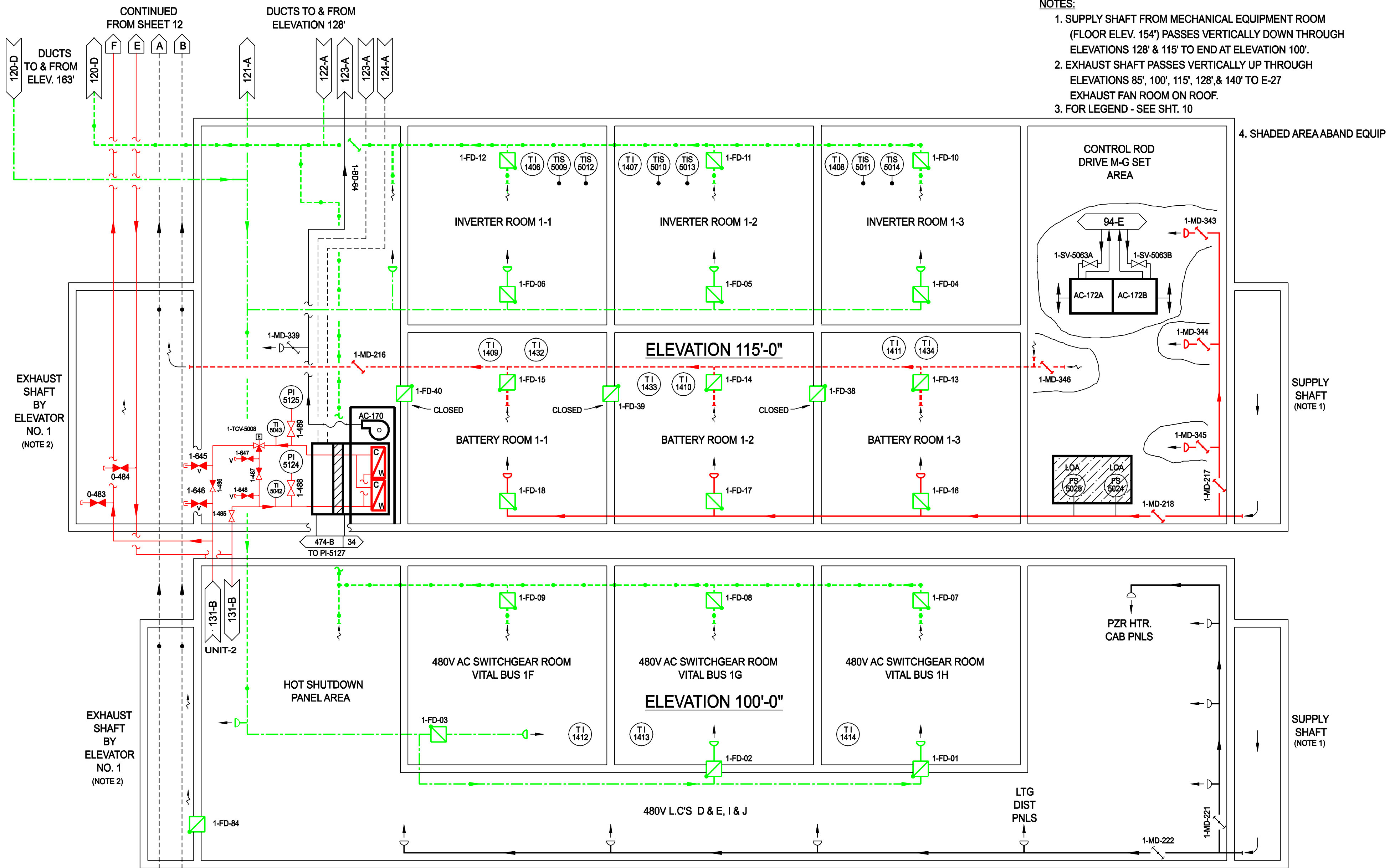


CALLLED NORTH

* - DENOTES CHEMISTRY VALVE

CONTINUED (TOP RIGHT)
AUXILIARY BUILDING HVAC (ENGINEERED SAFETY EQUIPMENT AREA)

LR BOUNDARY DRAWING NO.	REV.
LR-DCPP-23B-106723-11	0

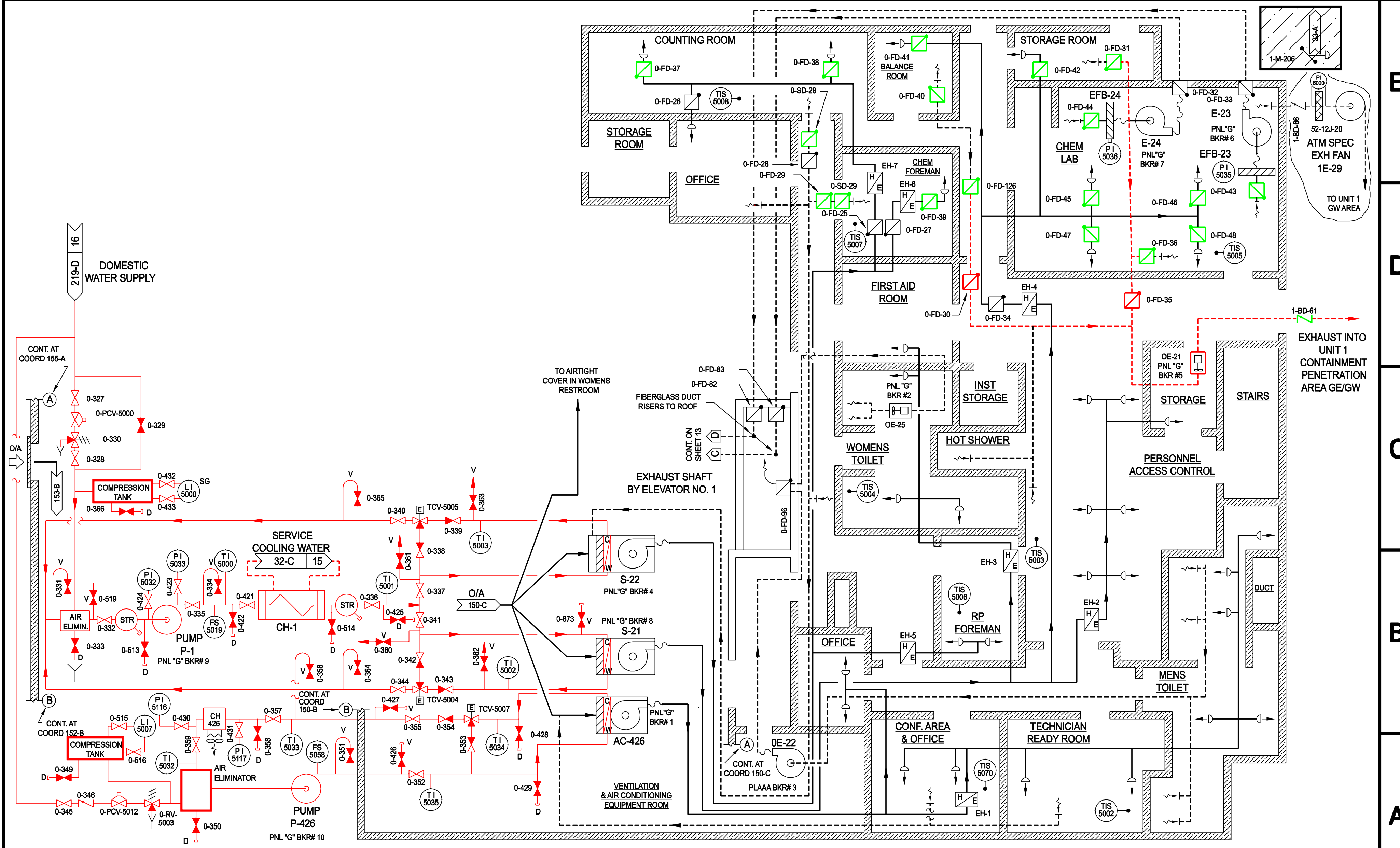


- NOTES:**
1. SUPPLY SHAFT FROM MECHANICAL EQUIPMENT ROOM (FLOOR ELEV. 154') PASSES VERTICALLY DOWN THROUGH ELEVATIONS 128' & 115' TO END AT ELEVATION 100'.
 2. EXHAUST SHAFT PASSES VERTICALLY UP THROUGH ELEVATIONS 85', 100', 115', 128' & 140' TO E-27 EXHAUST FAN ROOM ON ROOF.
 3. FOR LEGEND - SEE SHT. 10
 4. SHADED AREA ABAND EQUIP

AUX. BLDG.: 480V AC SWITCHGEAR, BATTERY, INVERTER, AND REACTOR ROD DRIVE CONTROL ROOMS

UNIT ONE

LR BOUNDARY DRAWING NO.	REV.
LR-DCPP-23B-106723-13	0



AUXILIARY BUILDING ACCESS CONTROL AREA (EL. 85'-0")

DOMESTIC WTR NOTES:
 1. FOR LEGEND - SEE SHT. 10
 2. SHADED AREAS ARE ABANDONED EQUIP

UNIT ONE	
LR BOUNDARY DRAWING NO.	REV.
LR-DCPP-23B-106723-15	0

30

31

32

33

34

35

36

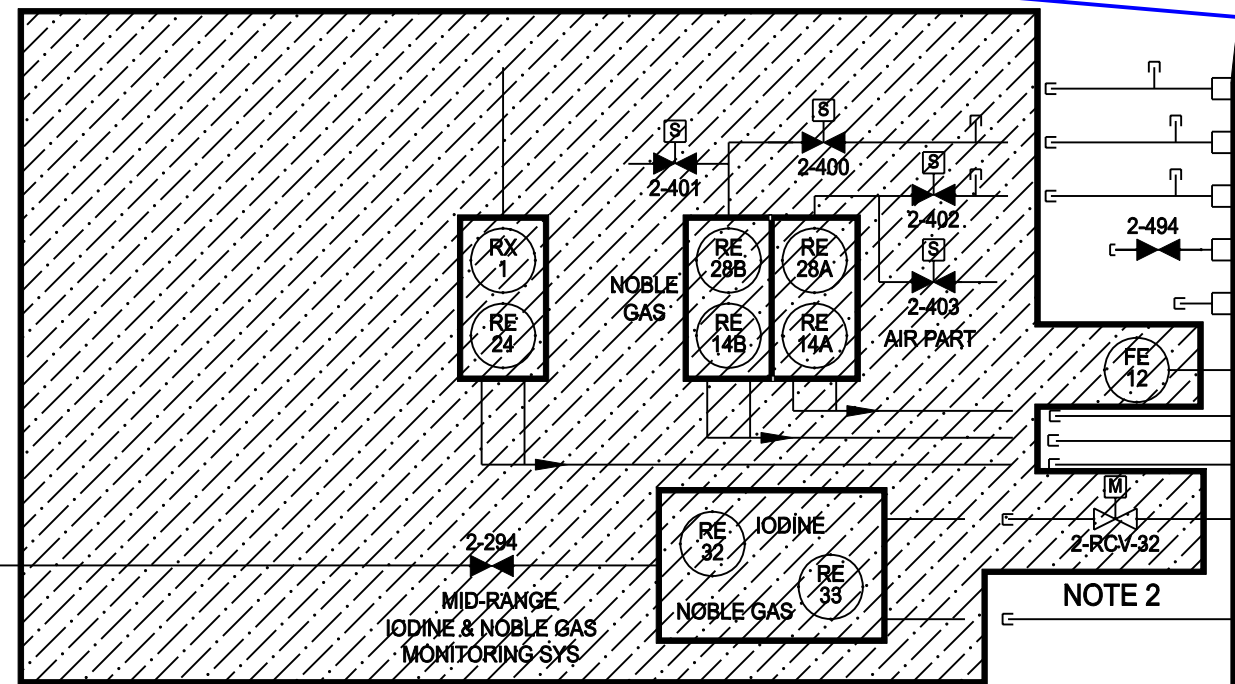
37

38

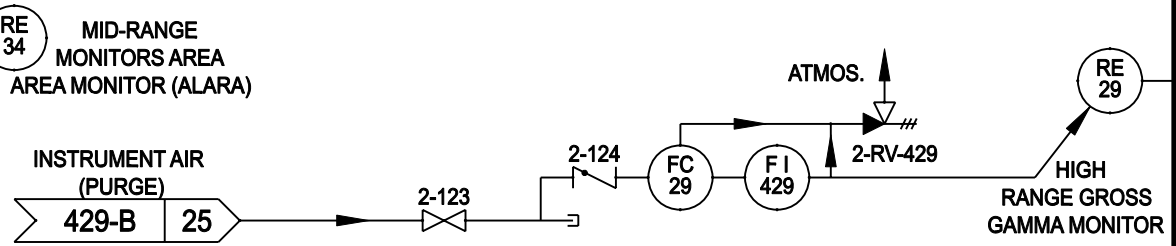
39

PLANT VENT EXHAUST & MONITORS

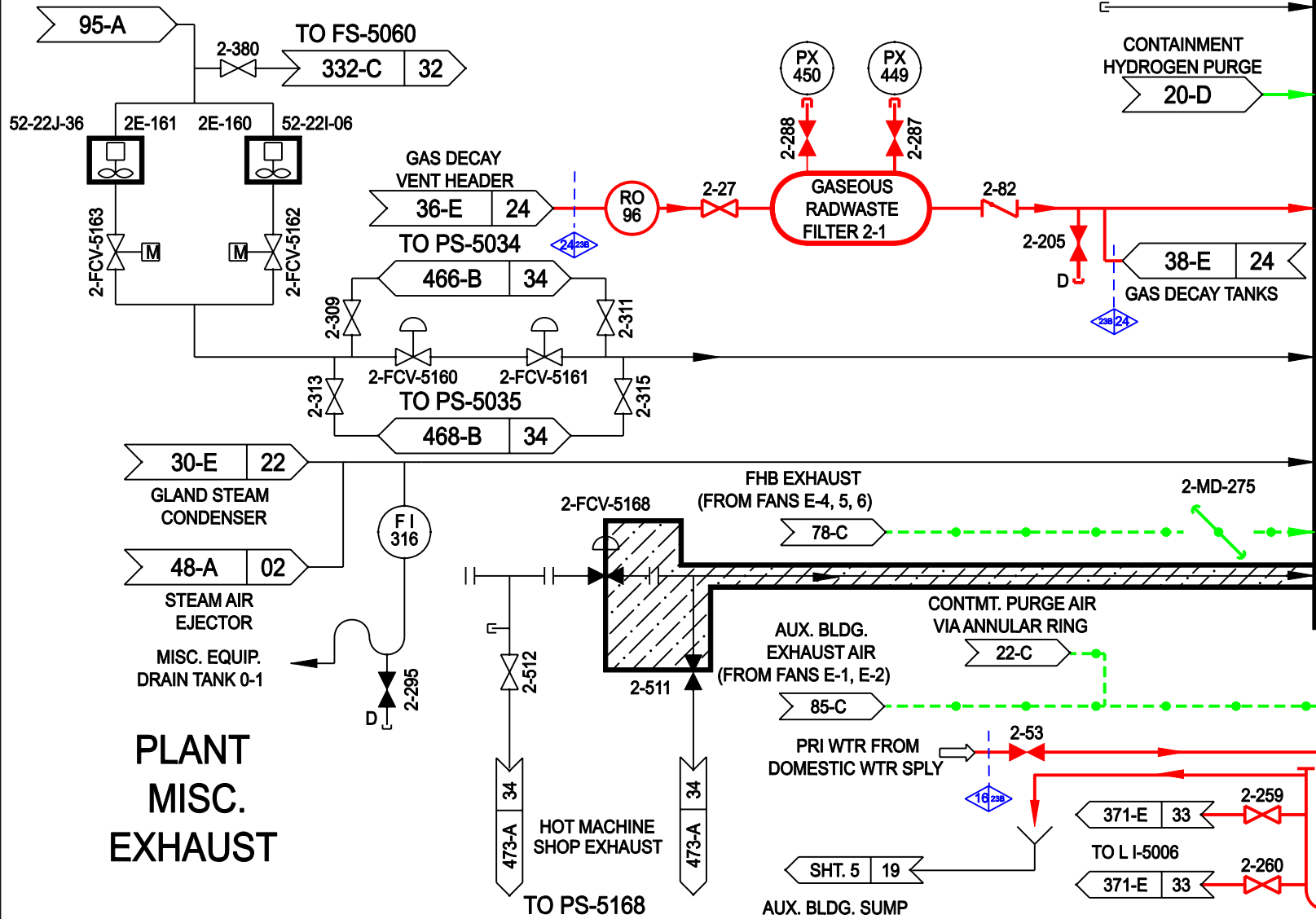
Plant Vent is evaluated under LRID ZC



HIGH LEVEL RADIATION MONITORING

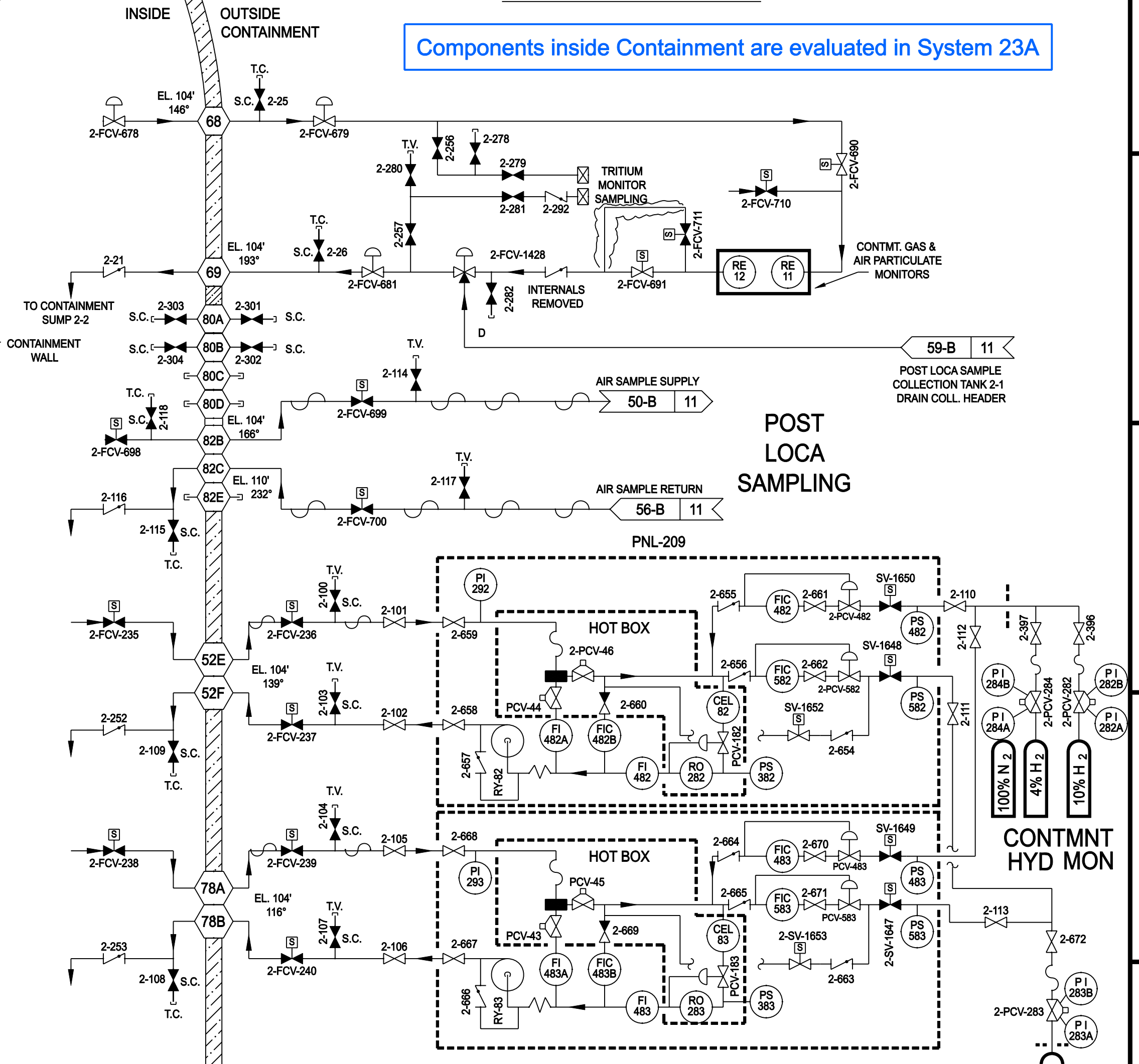


115' PENETRATION AREA CEILING



CONTAINMENT ATMOSPHERE MONITORS & SAMPLING

Components inside Containment are evaluated in System 23A

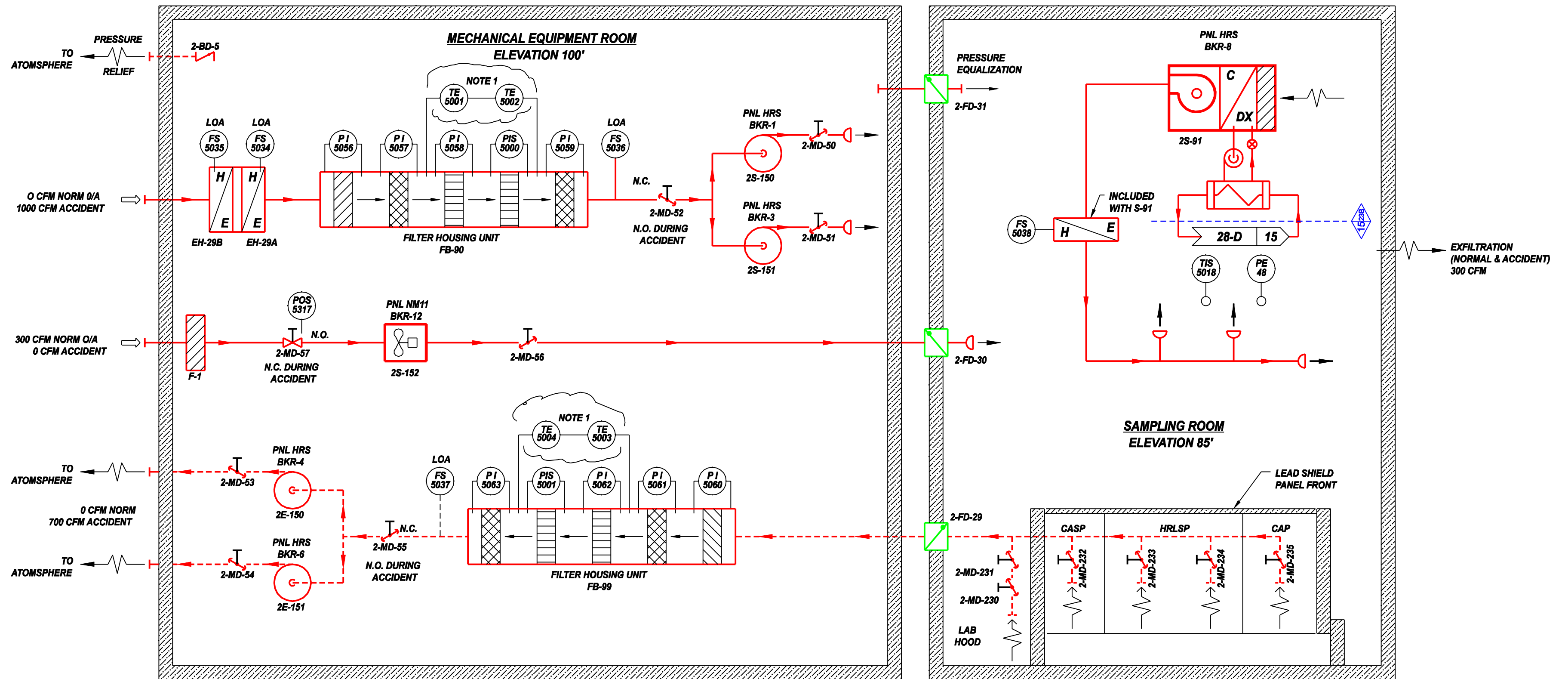


POST LOCA SAMPLING

CONTMNT HYD MON

- NOTE:
1. FOR LEGEND-SEE SHEET 10.
 2. ABANDON IN PLACE-FAILED OPEN
 3. SHADED AREA ABANDONED EQUIP

LR BOUNDARY DRAWING NO.	REV.
LR-DCPP-23B-107723-03	0

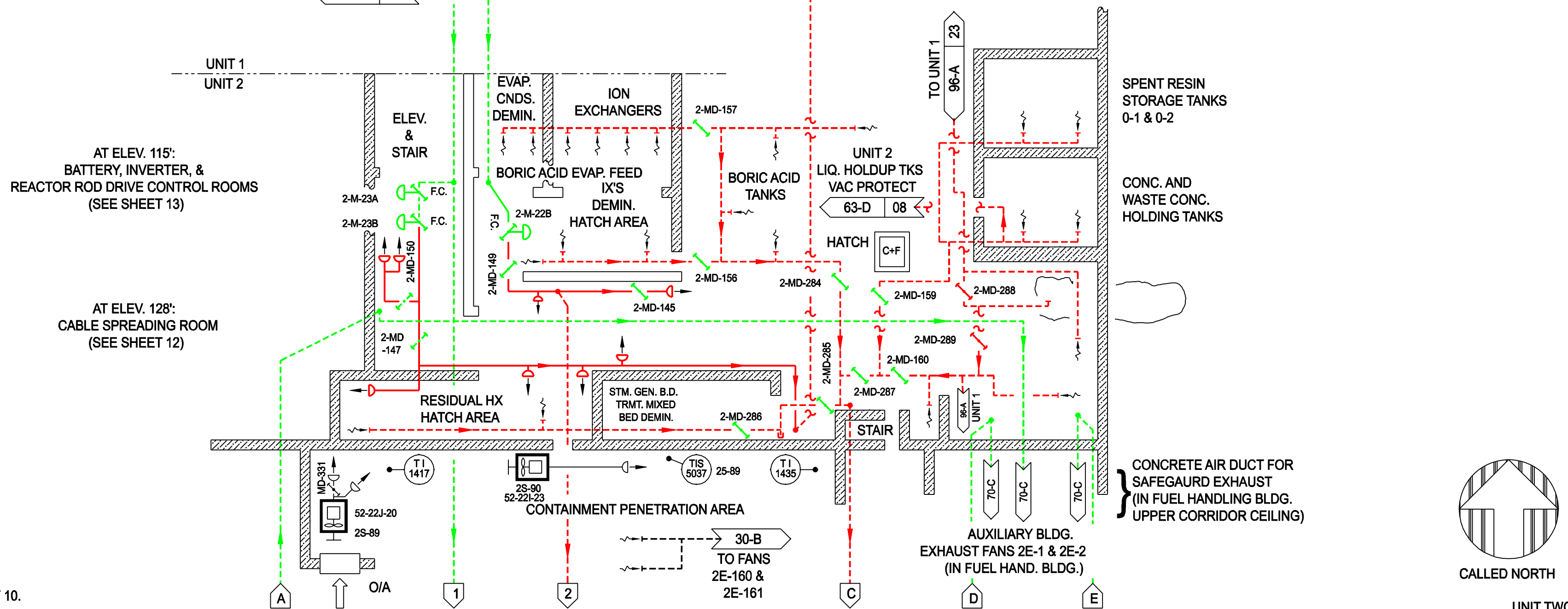
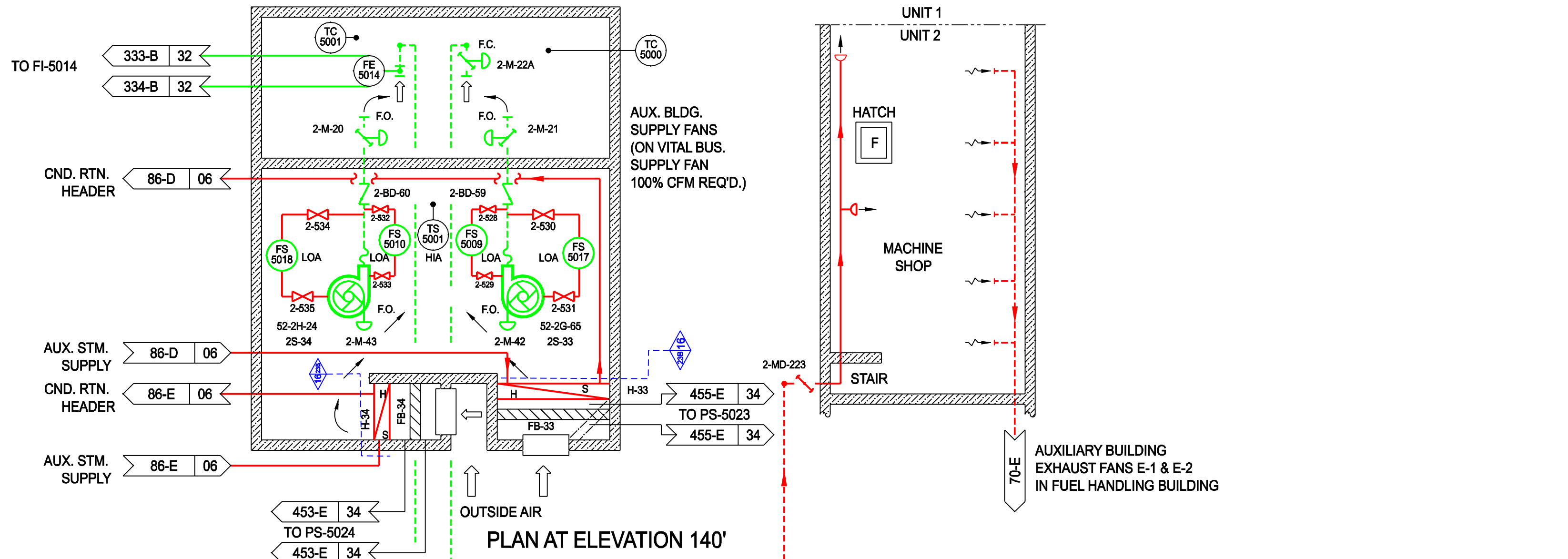


NOE:
 1. LOCAL HI TEMP. ALARM
 2. FOR LEGEND-SEE SHEET 10.

POST LOCA SAMPLING SYSTEM HVAC

UNIT TWO

LR BOUNDARY DRAWING NO.	REV.
LR-DCPP-23B-107723-05	0



NOTE:
1. FOR LEGEND-SEE SHEET 10.



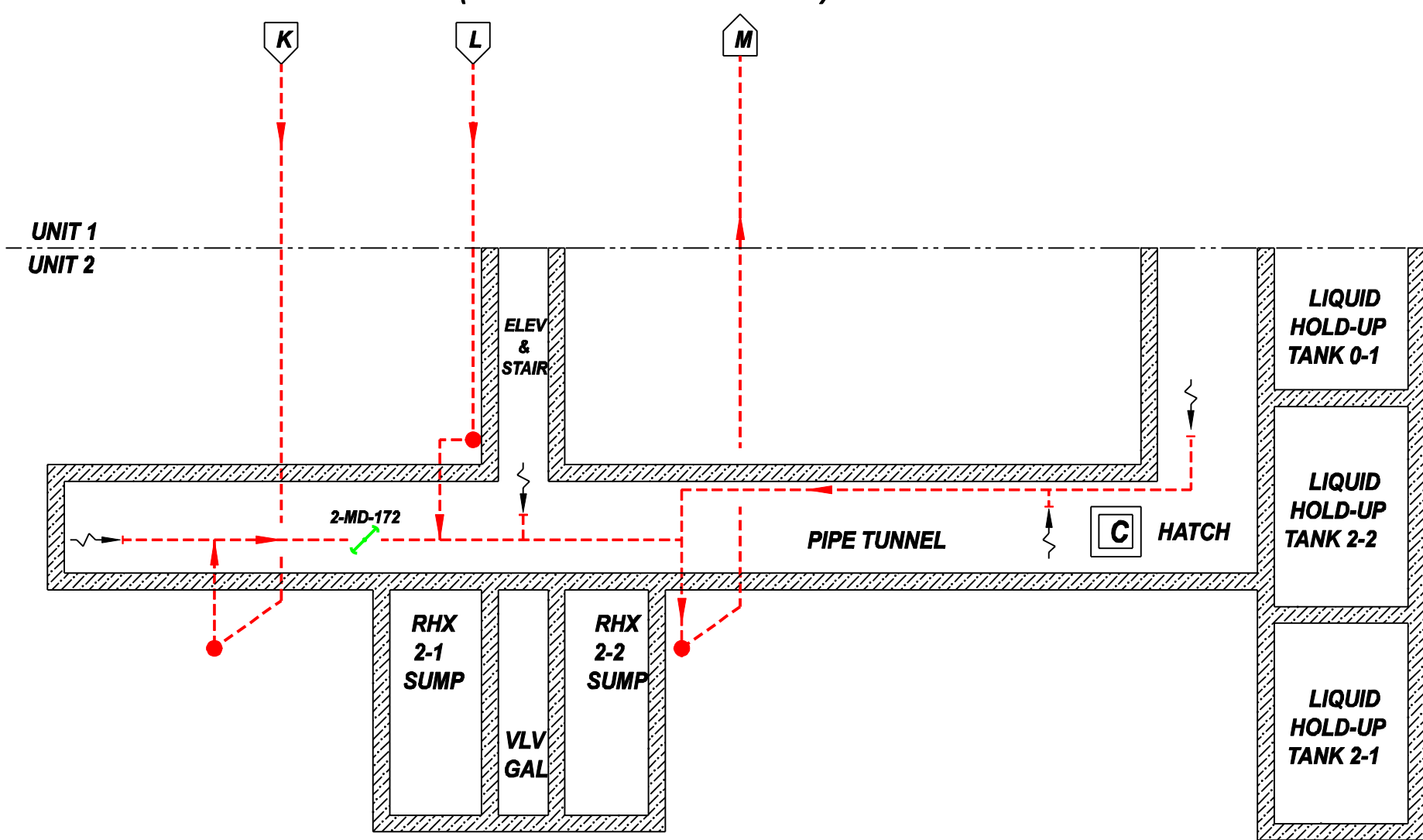
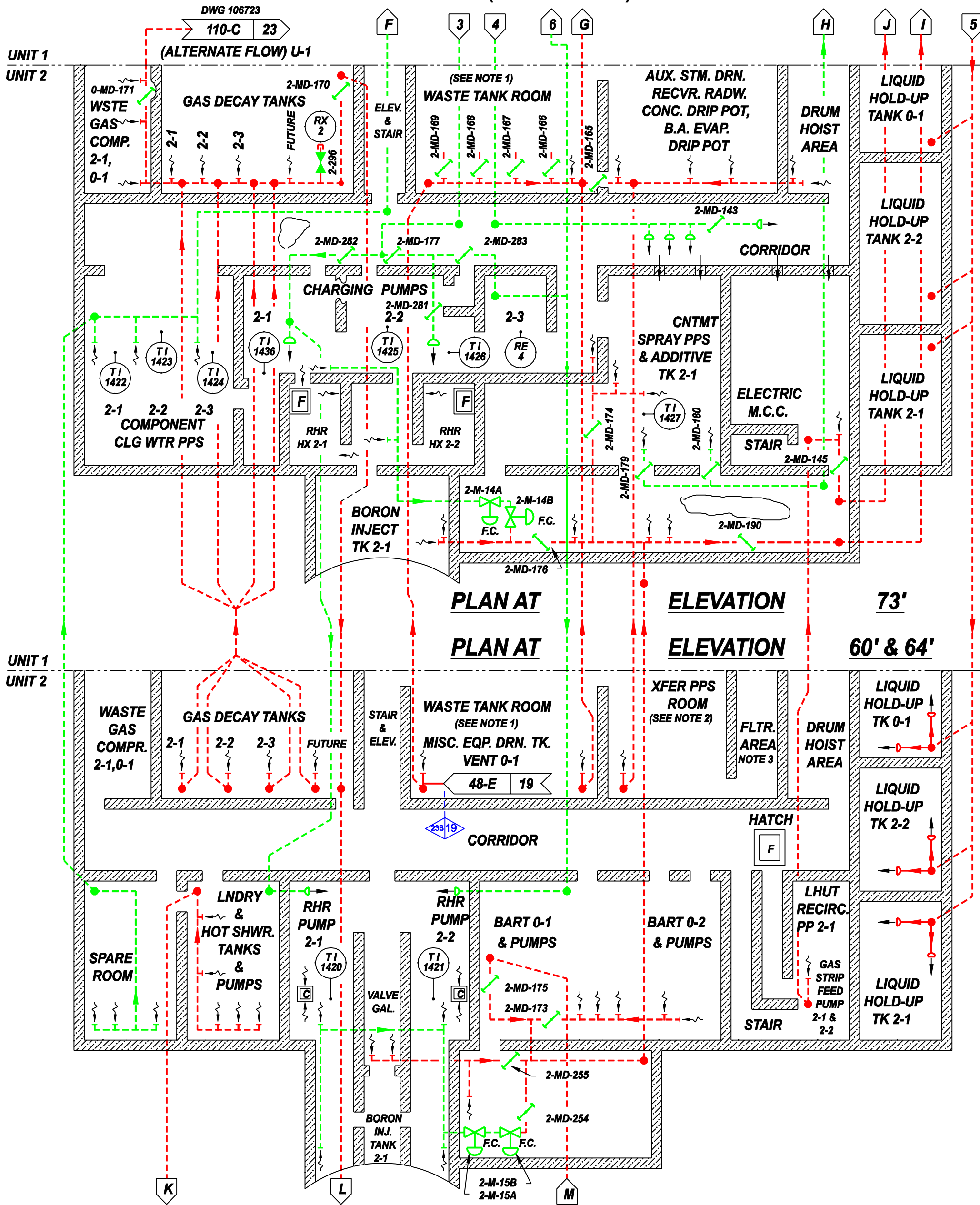
CONTINUED ON SHEET 10 (TOP)

AUXILIARY BUILDING HVAC (ENGINEERED SAFETY EQUIPMENT AREA)

UNIT TWO	
LR BOUNDARY DRAWING NO.	REV.
LR-DCPP-23B-107723-09	0

CONTINUED FROM SHEET 10 (BOTTOM)

CONTINUED (BOTTOM LEFT)



PLAN AT ELEVATION 73'
PLAN AT ELEVATION 60' & 64'

PLAN AT ELEVATION 54'

NOTES:

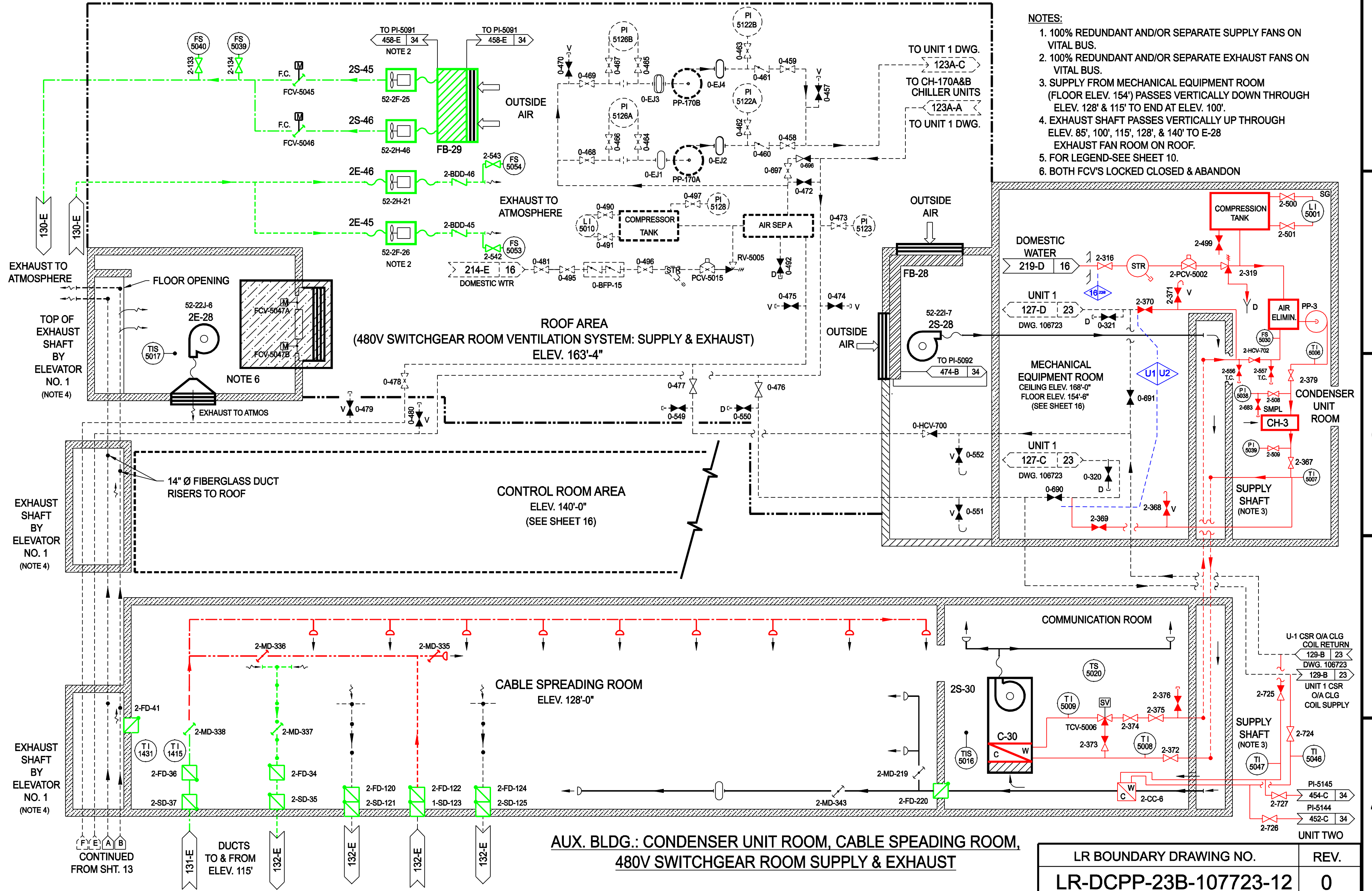
1. WASTE TANK ROOM SHOWN ON ELEVATIONS 64' AND 73' CONTAINS:
 - A. DEMIN. REGENERANT RECEIVER TK 0-2
 - B. EQUIPMENT DRAIN RECEIVER TK 0-2
 - C. FLOOR DRAIN RECEIVER TK 0-2
 - D. PROCESSED WASTE RECEIVERS 0-2
2. TRANSFER PUMPS ROOM ON ELEVATION 64' INCLUDE:
 - A. PROCESSED WASTE PUMP 0-2
 - B. FLOOR DRAIN RECEIVER PUMP 0-2
 - C. DEMIN. REGEN. RECEIVER PUMP 0-2
 - D. EQUIPMENT DRAIN RECEIVER PUMP 0-2
 - E. MOTIVE WATER PUMP 0-2
 - F. AUXILIARY STEAM DRAIN RECEIVER PUMP 0-2
3. FILTER AREA ON ELEVATION 64' CONTAINS:
 - A. CNDS FILTER 2-1
 - B. LIQUID RADWASTE FILTER 0-2 & 0-3
4. FOR LEGEND-SEE SHEET 10.



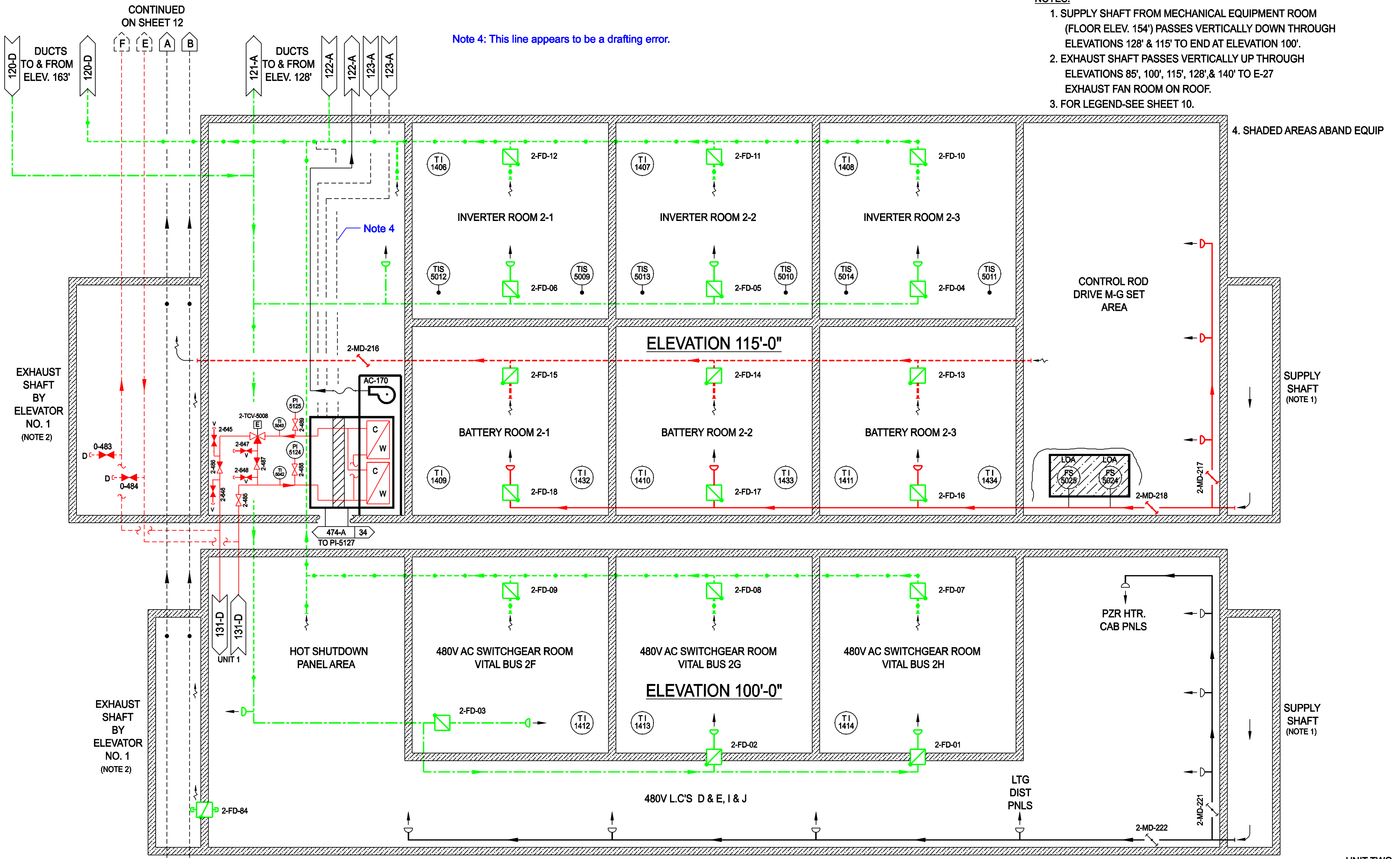
CONTINUED (TOP RIGHT)

AUXILIARY BUILDING HVAC (ENGINEERED SAFETY EQUIPMENT AREA)

LR BOUNDARY DRAWING NO.	REV.
LR-DCPP-23B-107723-11	0

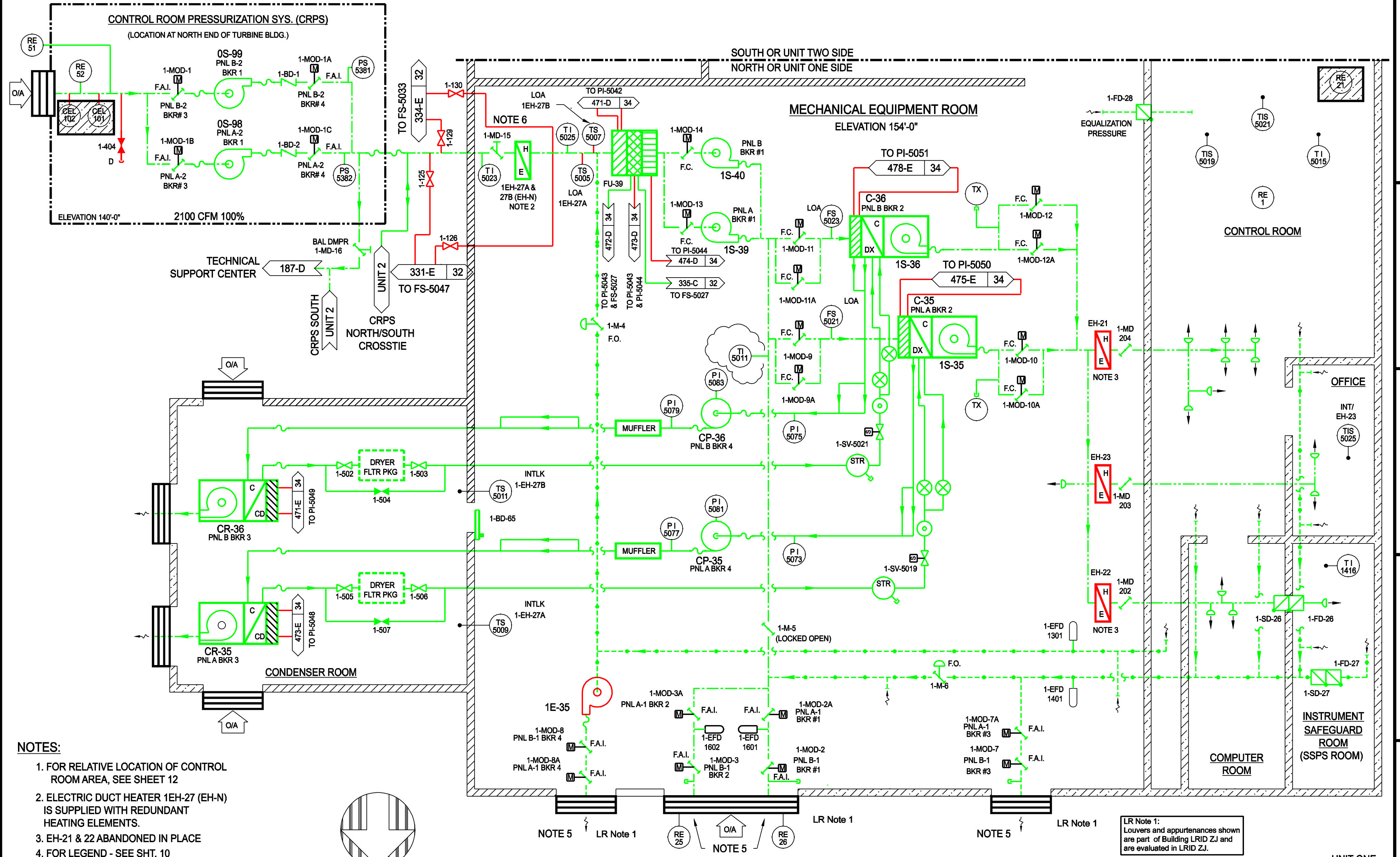


- NOTES:
- SUPPLY SHAFT FROM MECHANICAL EQUIPMENT ROOM (FLOOR ELEV. 154') PASSES VERTICALLY DOWN THROUGH ELEVATIONS 128' & 115' TO END AT ELEVATION 100'.
 - EXHAUST SHAFT PASSES VERTICALLY UP THROUGH ELEVATIONS 85', 100', 115', 128' & 140' TO E-27 EXHAUST FAN ROOM ON ROOF.
 - FOR LEGEND-SEE SHEET 10.



AUX. BLDG.: 480V AC SWITCHGEAR, BATTERY, INVERTER, AND REACTOR ROD DRIVE CONTROL ROOMS

UNIT TWO	
LR BOUNDARY DRAWING NO.	REV.
LR-DCPP-23B-107723-13	0



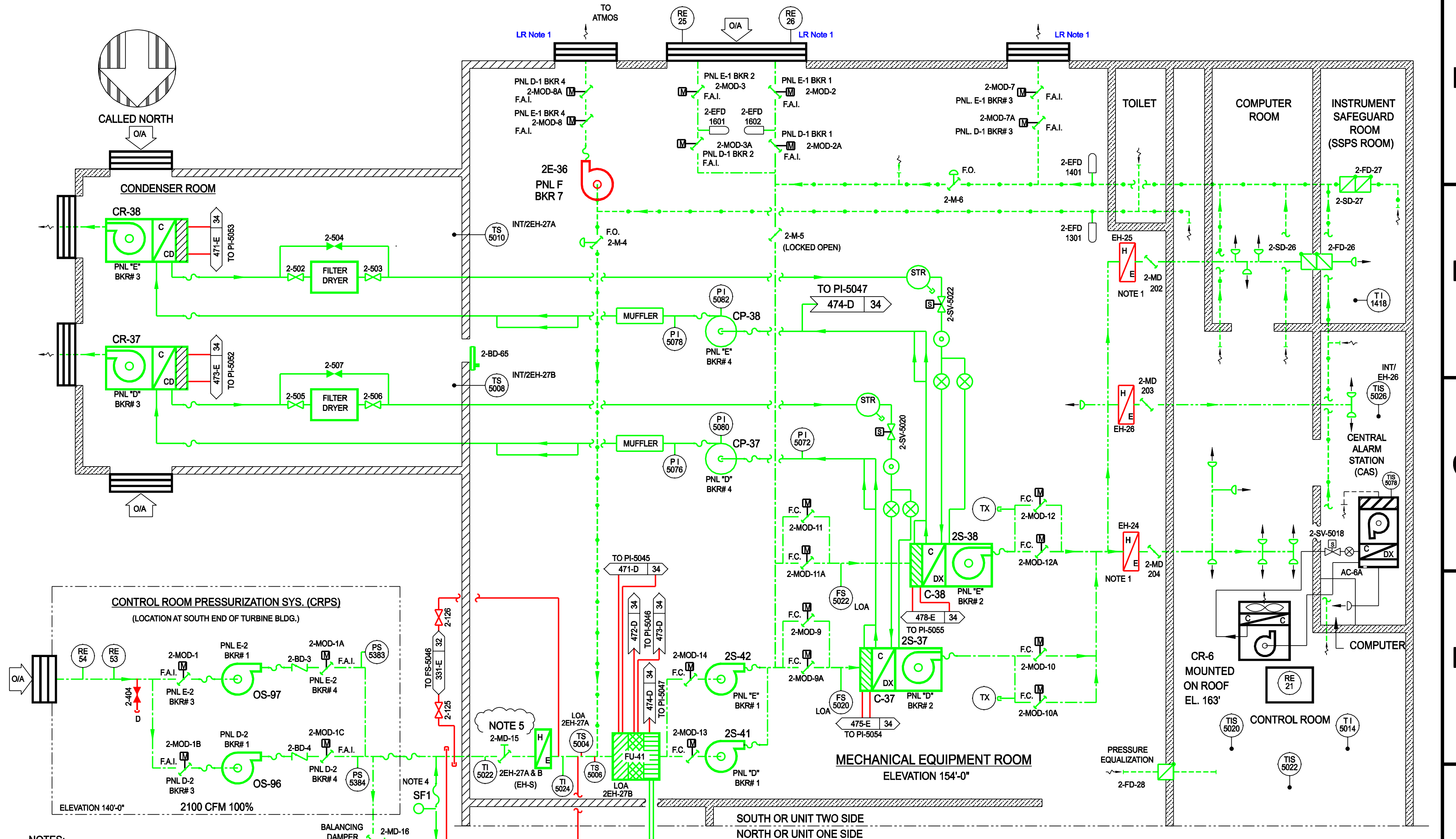
- NOTES:**
1. FOR RELATIVE LOCATION OF CONTROL ROOM AREA, SEE SHEET 12
 2. ELECTRIC DUCT HEATER 1EH-27 (EH-N) IS SUPPLIED WITH REDUNDANT HEATING ELEMENTS.
 3. EH-21 & 22 ABANDONED IN PLACE
 4. FOR LEGEND - SEE SHT. 10
 5. WHEN UTILIZED THE LOUVER COVERS & ISOL PLATES BECOME THE CNTRL RM PRESS BOUNDARY
 6. DAMPER IS NORMALLY THROTTLED.



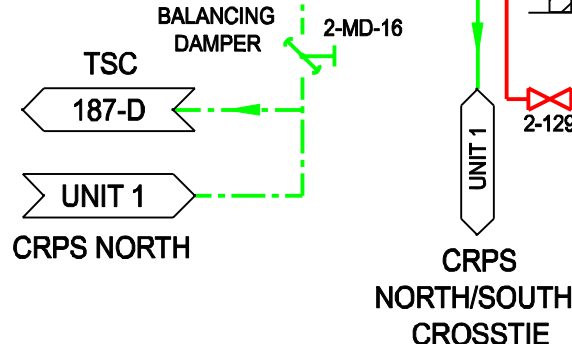
**CONTROL ROOM HVAC (NORTH)
(SAFEGUARD SYSTEM)**

LR Note 1:
Louvers and appurtenances shown are part of Building LRID ZJ and are evaluated in LRID ZJ.

LR BOUNDARY DRAWING NO.	REV.
LR-DCPP-23F-106723-16	0

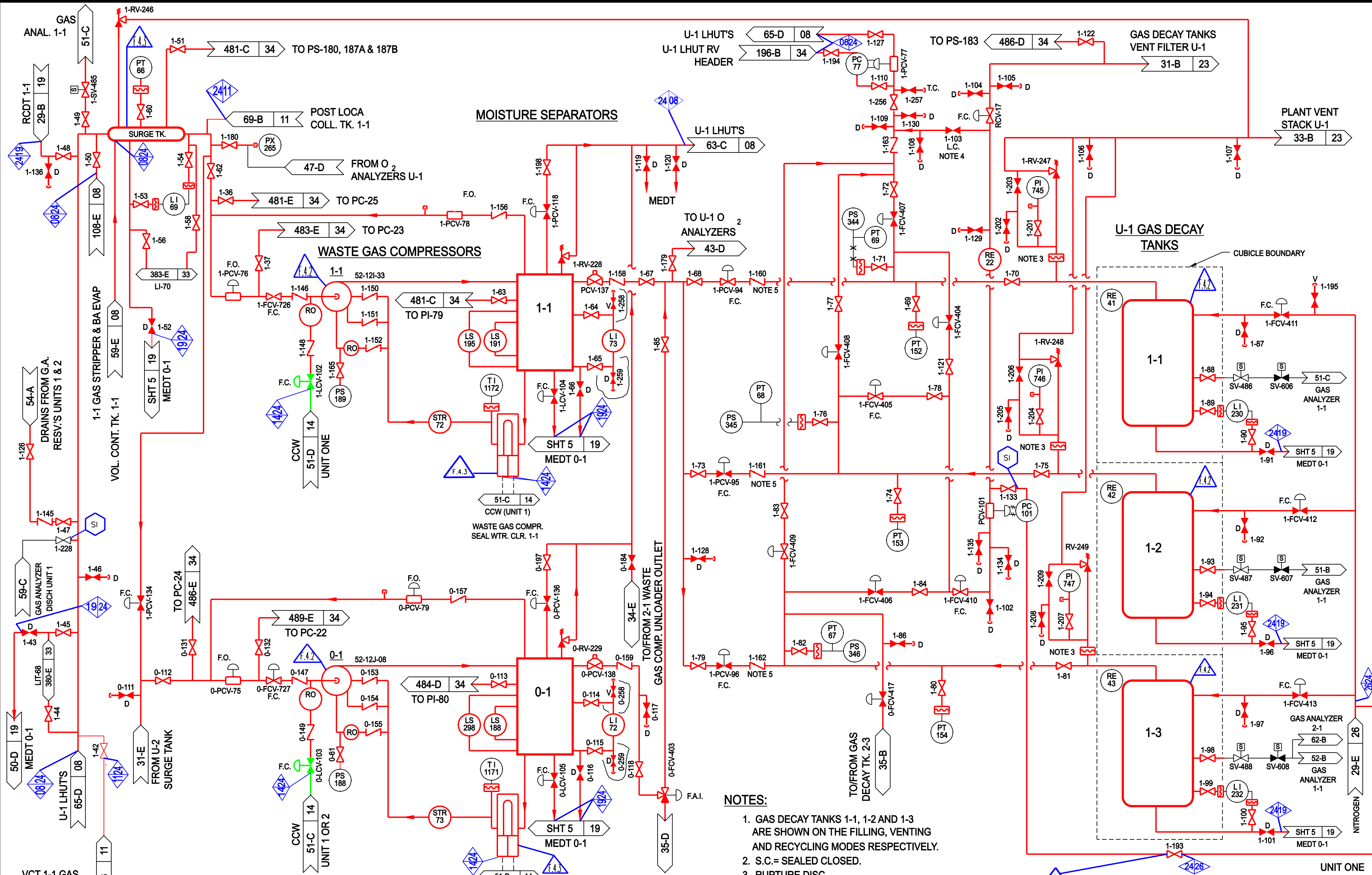


- NOTES:**
1. HTRS EH-24 & EH-25 ABANDONED IN PLACE.
 2. FOR LEGEND-SEE SHEET 10.
 3. SHADED AREAS ABANDONED EQUIP
 4. SPECTACLE FLANGE OPEN FACE IS NORMALLY INSTALLED
 5. DAMPER NORMALLY THROTTLED



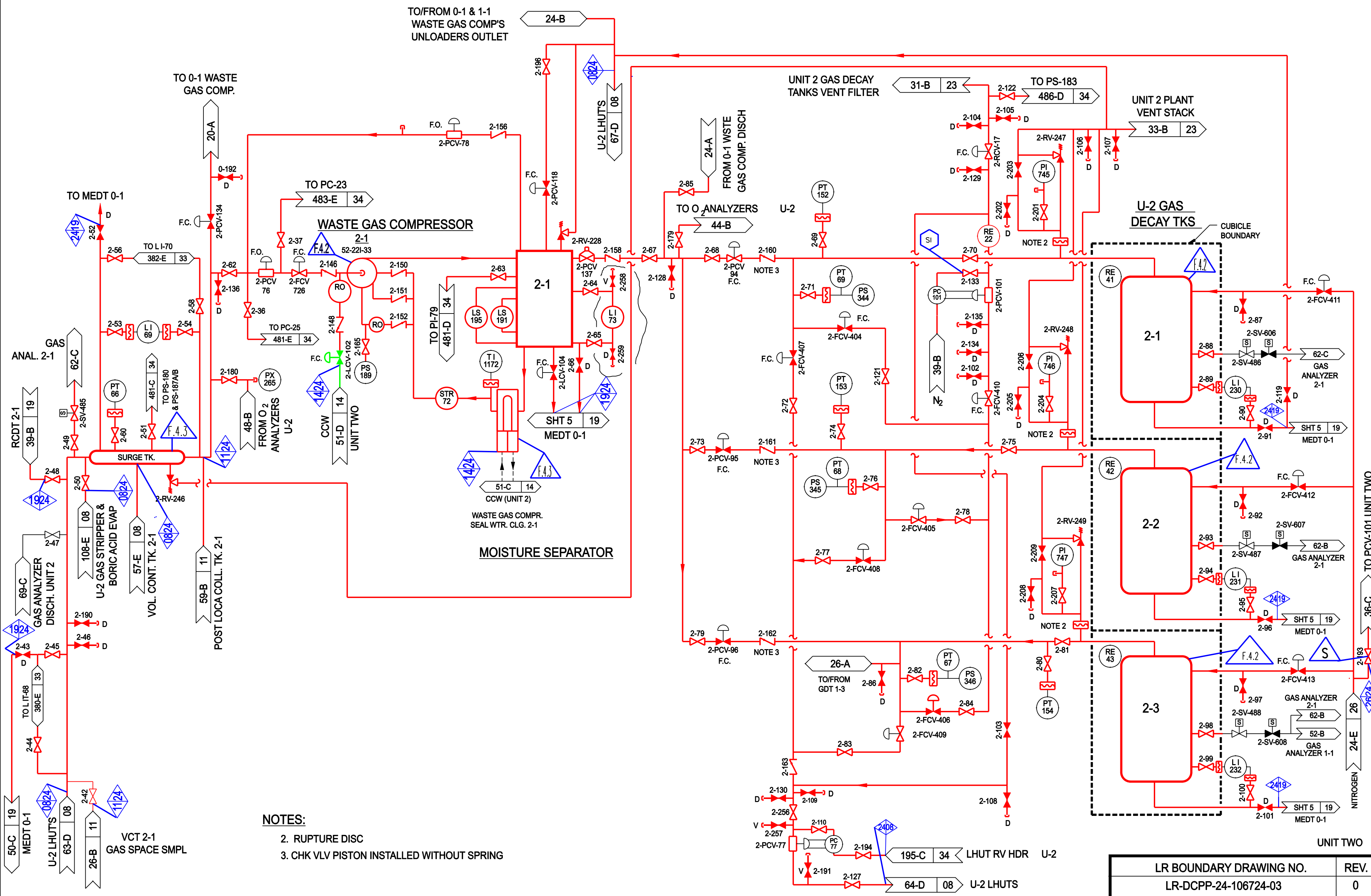
LR Note 1: Louvers and appurtenances shown are part of Building LRID ZJ and are evaluated in LRID ZJ.

LR BOUNDARY DRAWING NO.	REV.
LR-DCPP-23F-107723-16	0



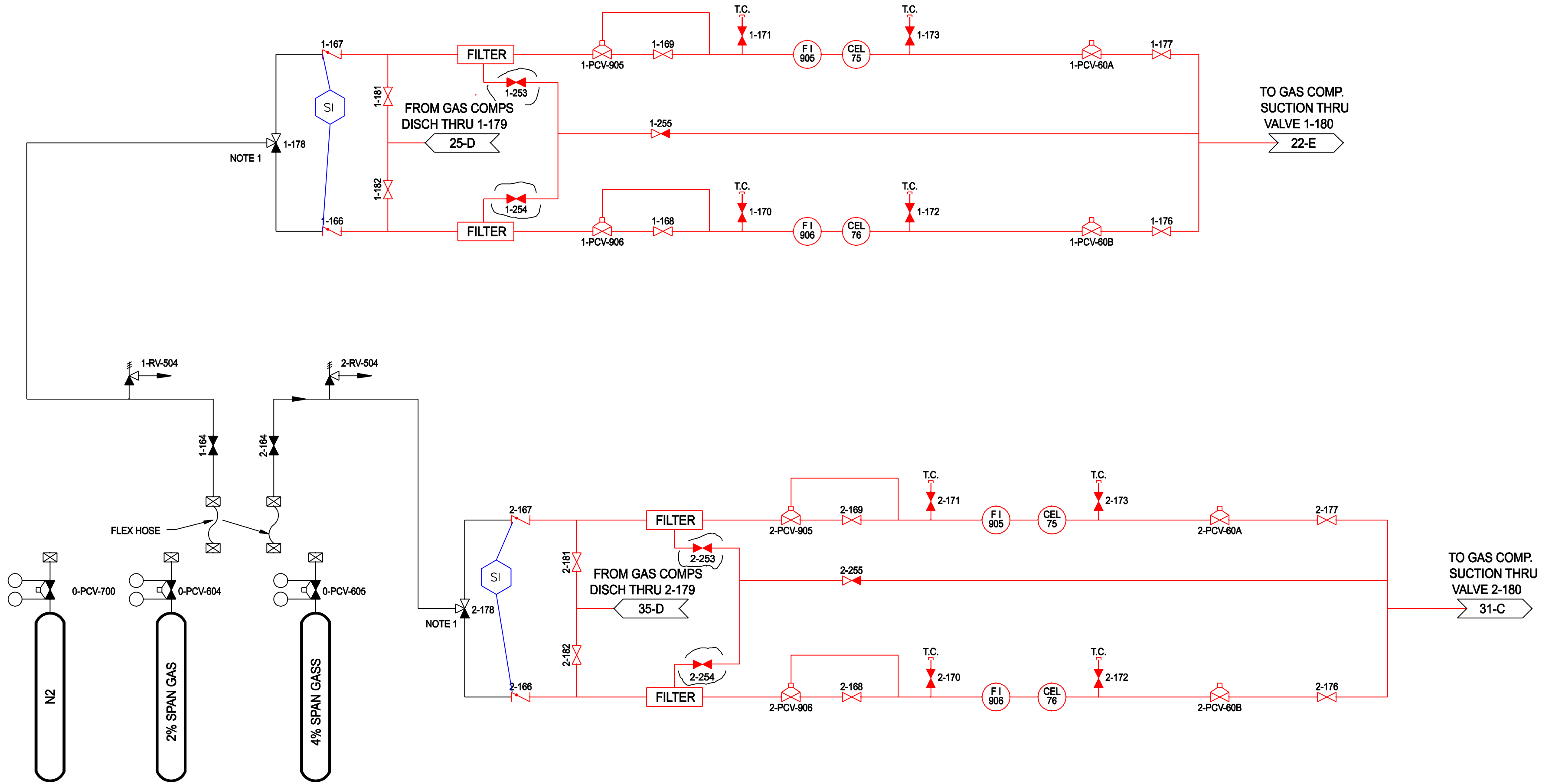
- NOTES:**
1. GAS DECAY TANKS 1-1, 1-2 AND 1-3 ARE SHOWN ON THE FILLING, VENTING AND RECYCLING MODES RESPECTIVELY.
 2. S.C.= SEALED CLOSED.
 3. RUPTURE DISC
 4. VALVE LOCKED CLOSED PER OP G-2:1
 5. CHK VLV PISTON INSTALLED WITHOUT SPRING

LR BOUNDARY DRAWING NO.	REV.
LR-DCPP-24-106724-02	0



- NOTES:**
- 2. RUPTURE DISC
 - 3. CHK VLV PISTON INSTALLED WITHOUT SPRING

LR BOUNDARY DRAWING NO.	REV.
LR-DCPP-24-106724-03	0

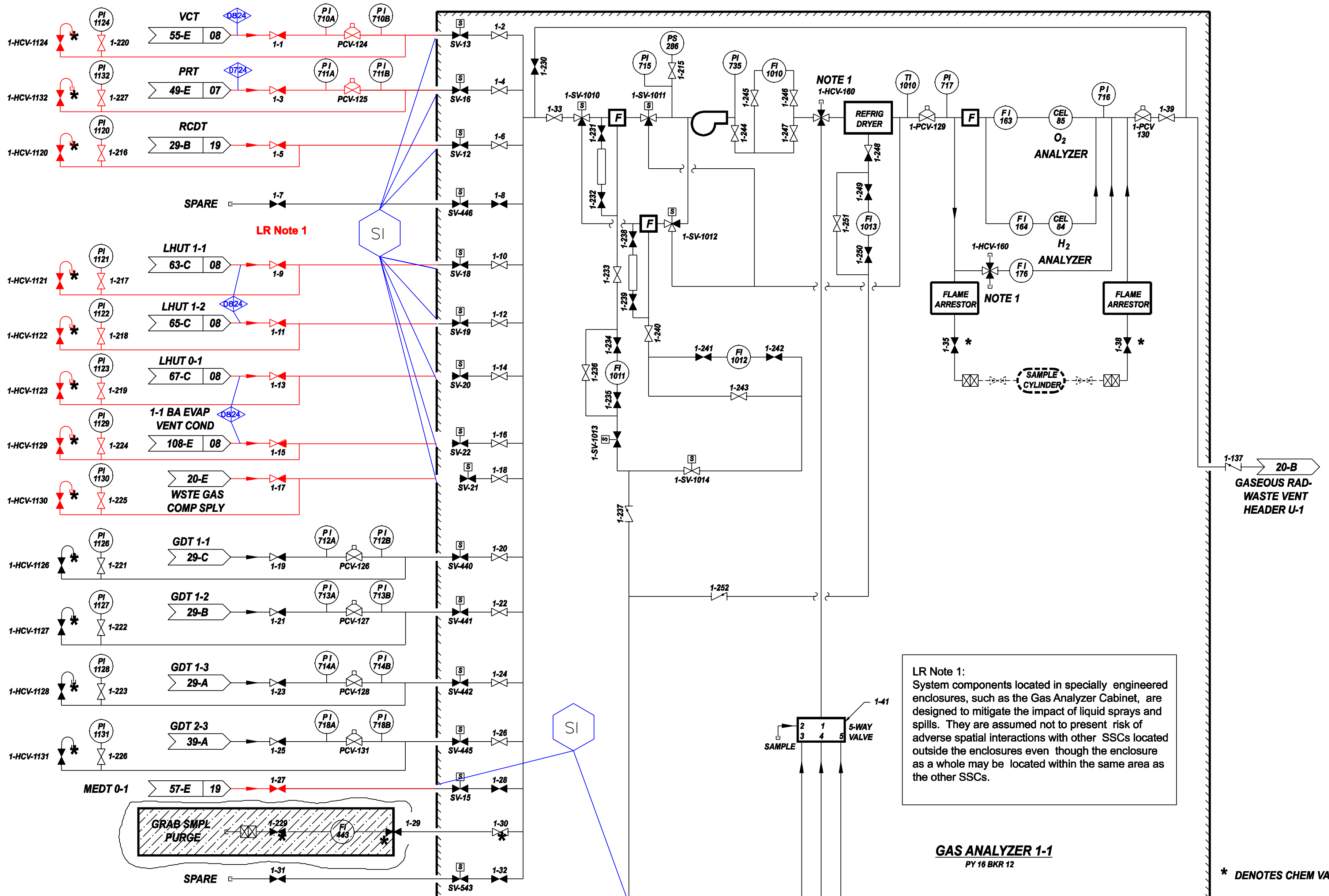


NOTES
1. THESE VALVES HAVE A CENTER OFF POSITION

WASTE GAS SYSTEM OXYGEN ANALYZERS FOR UNITS 1 & 2

UNITS ONE AND TWO

LR BOUNDARY DRAWING NO.	REV.
LR-DCPP-24-106724-04	0



LR Note 1:
System components located in specially engineered enclosures, such as the Gas Analyzer Cabinet, are designed to mitigate the impact of liquid sprays and spills. They are assumed not to present risk of adverse spatial interactions with other SSCs located outside the enclosures even though the enclosure as a whole may be located within the same area as the other SSCs.

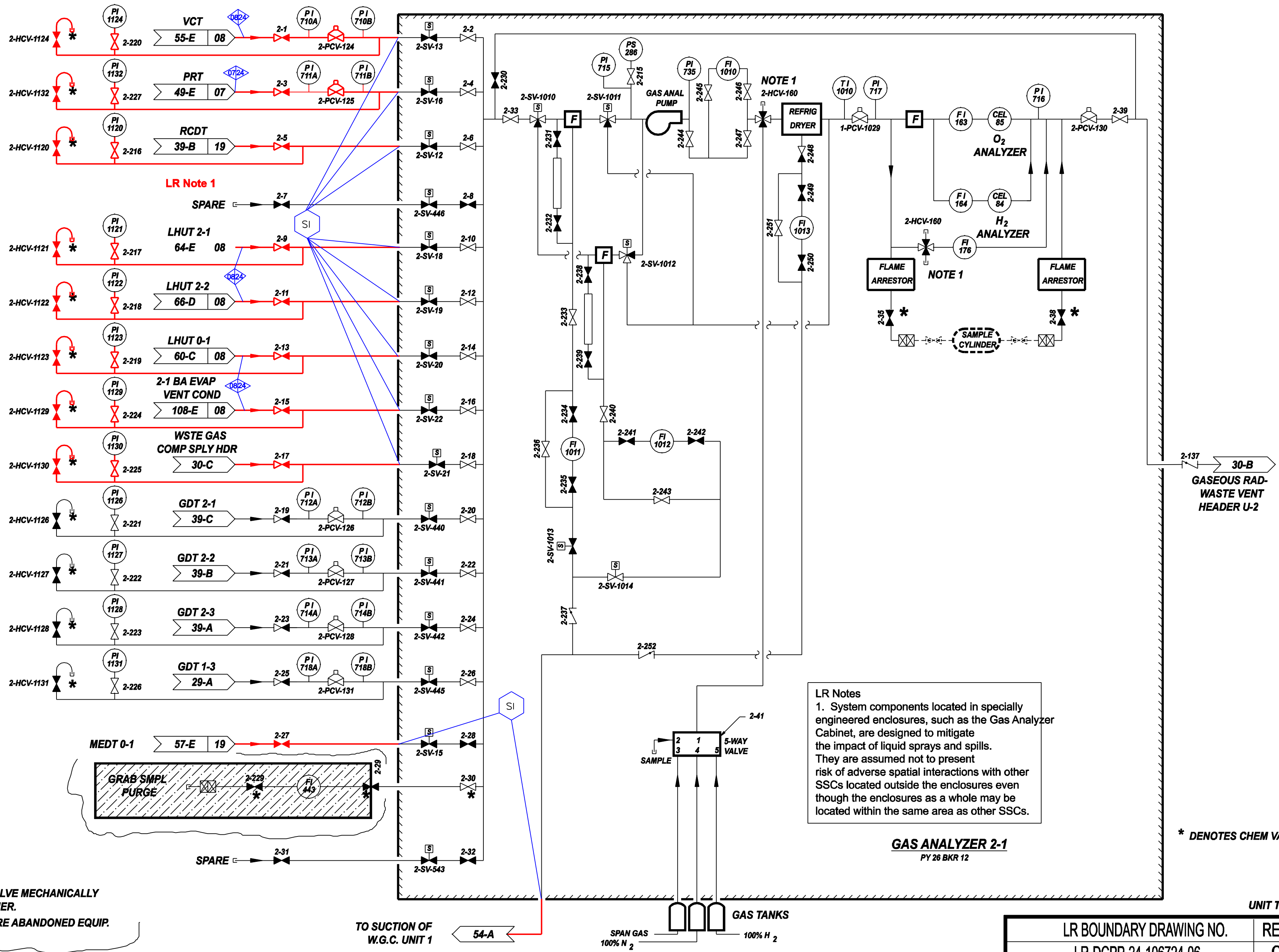
GAS ANALYZER 1-1
PY 16 BKR 12

* DENOTES CHEM VALVE

- NOTES**
1. 4-WAY STACK VALVE MECHANICALLY LINKED TOGETHER.
 2. SHADED AREAS ABANDONED EQUIPMENT

FROM UNIT 2 G.A. RESERVOIR DRAIN
TO SUCTION OF W.G.C. UNIT 1

UNIT ONE	
LR BOUNDARY DRAWING NO.	REV.
LR-DCPP-24-106724-05	0



LR Note 1

LR Notes
 1. System components located in specially engineered enclosures, such as the Gas Analyzer Cabinet, are designed to mitigate the impact of liquid sprays and spills. They are assumed not to present risk of adverse spatial interactions with other SSCs located outside the enclosures even though the enclosures as a whole may be located within the same area as other SSCs.

- NOTES**
 1. 4-WAY STACKED VALVE MECHANICALLY LINKED TOGETHER.
 2. SHADED AREAS ARE ABANDONED EQUIP.

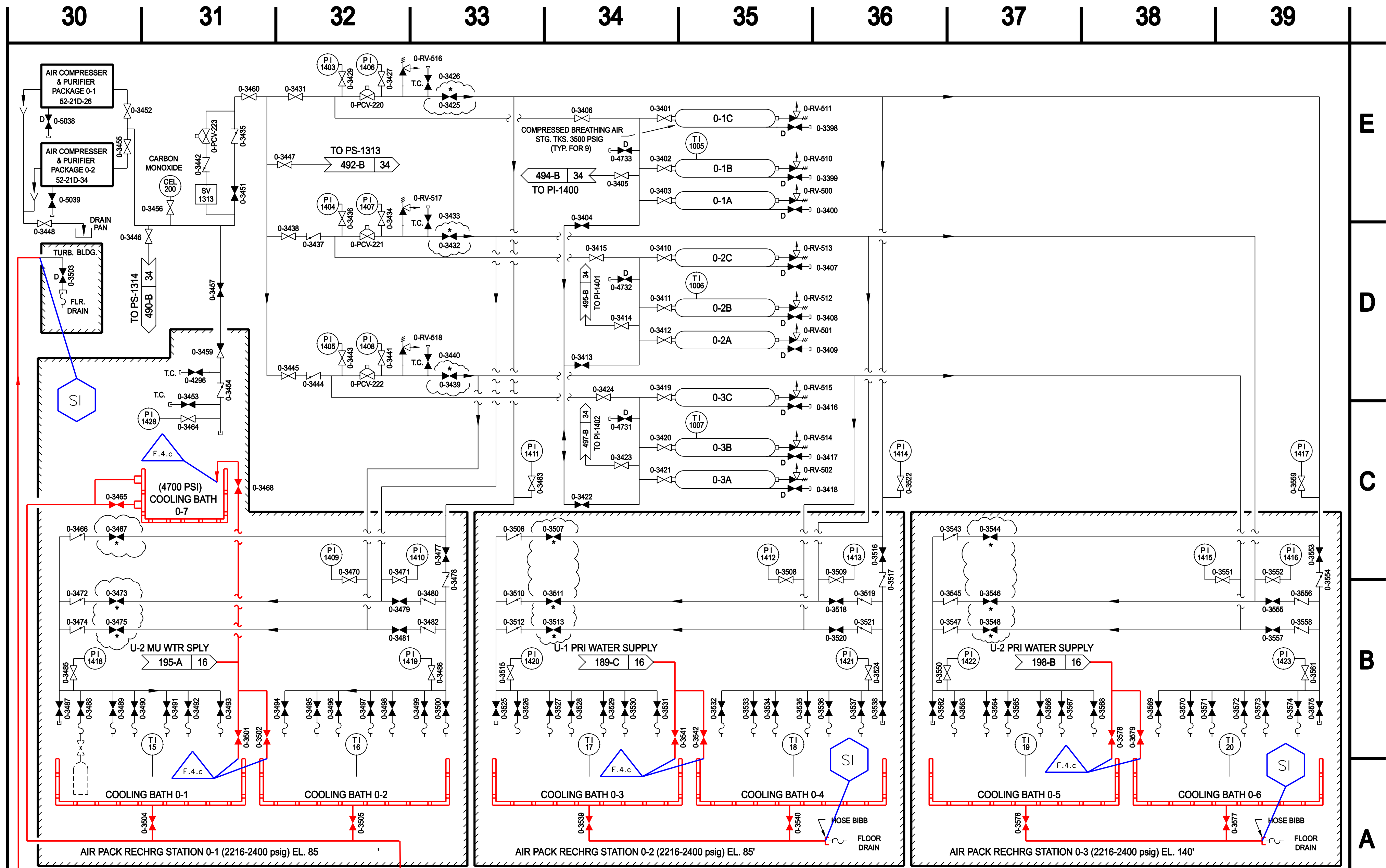
* DENOTES CHEM VALVE

TO SUCTION OF W.G.C. UNIT 1 54-A

GAS ANALYZER 2-1
PY 26 BKR 12

UNIT TWO	
LR BOUNDARY DRAWING NO.	REV.
LR-DCPP-24-106724-06	0

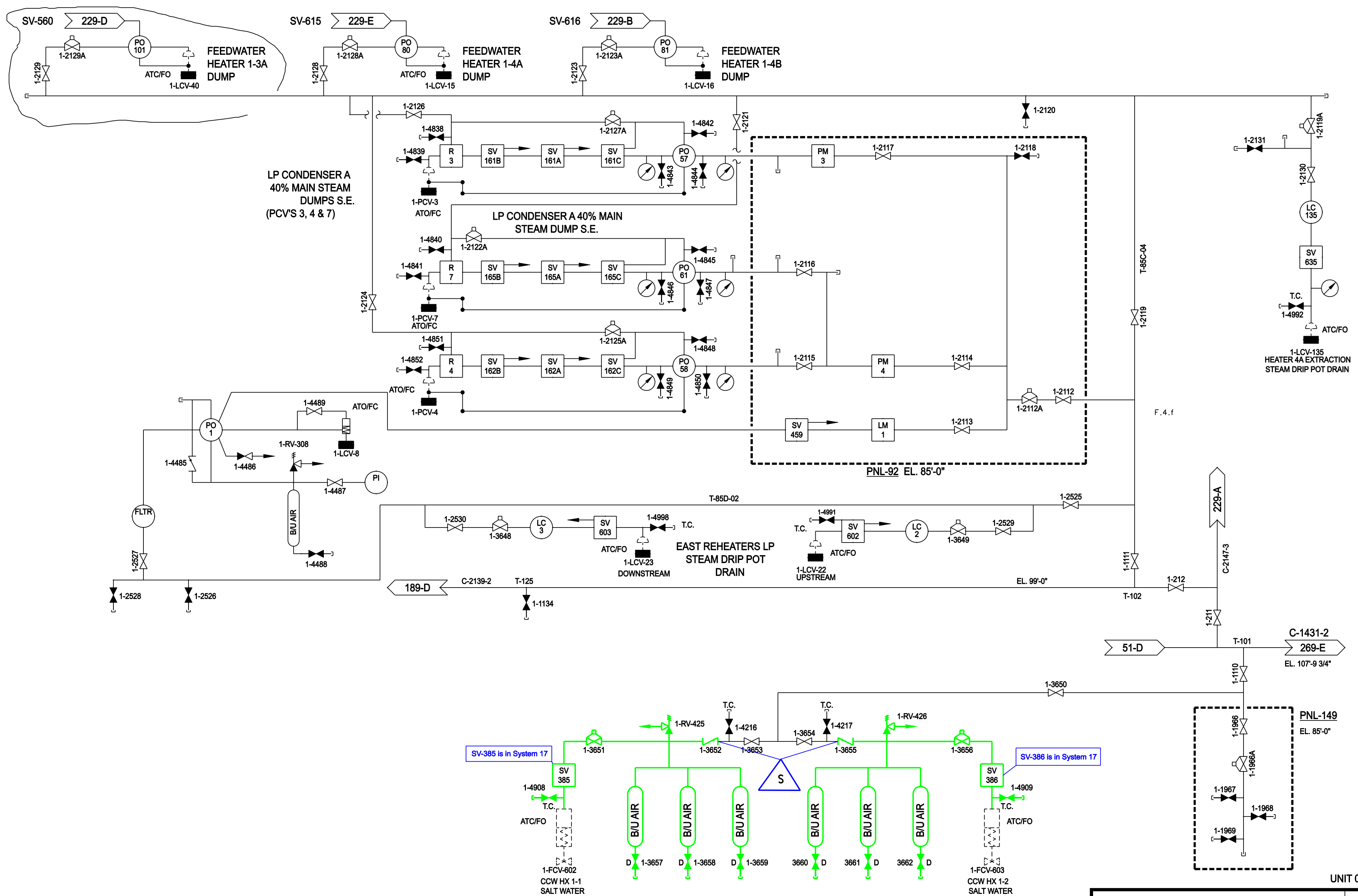
E
D
C
B
A



COMPRESSED BREATHING AIR SYSTEM

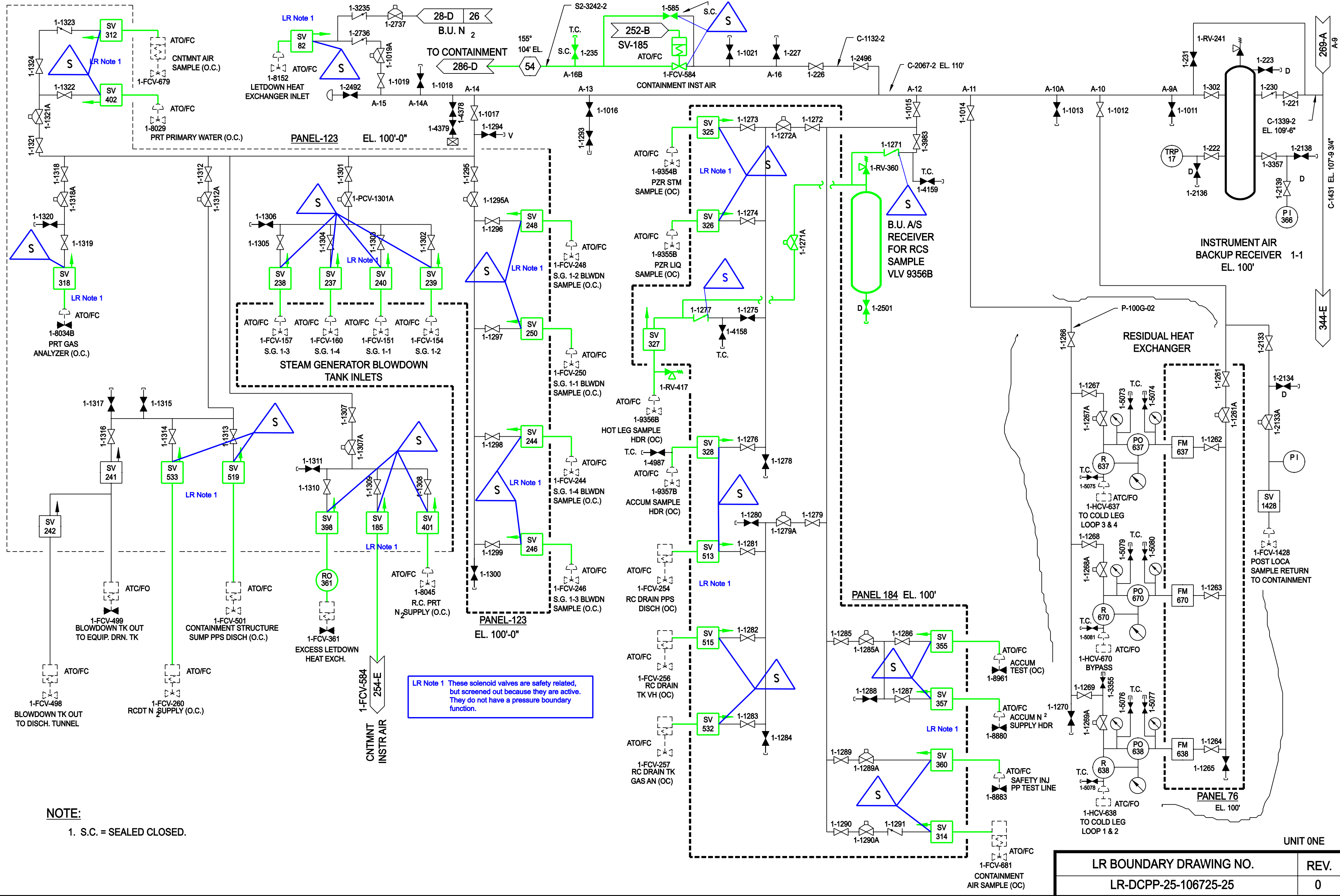
NOTES:
 * Indicates Chemistry Valve

LR BOUNDARY DRAWING NO.	REV.
LR-DCPP-25-106725-03	0



E
D
C
B
A

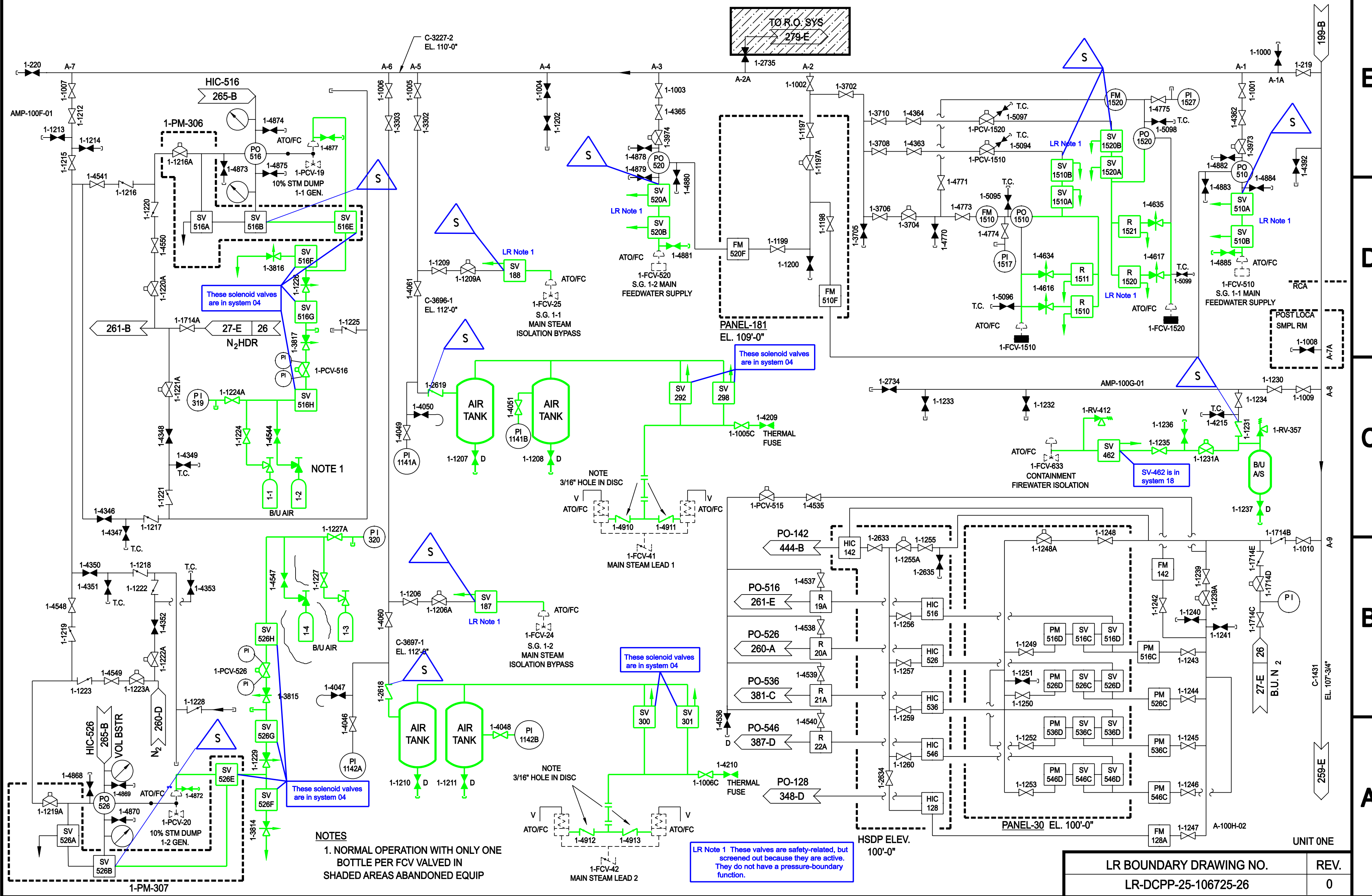
LR BOUNDARY DRAWING NO.	REV.
LR-DCPP-25-106725-19	0



LR Note 1 These solenoid valves are safety related, but screened out because they are active. They do not have a pressure boundary function.

NOTE:
1. S.C. = SEALED CLOSED.

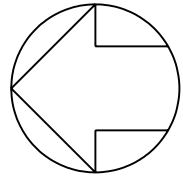
LR BOUNDARY DRAWING NO.	REV.
LR-DCPP-25-106725-25	0



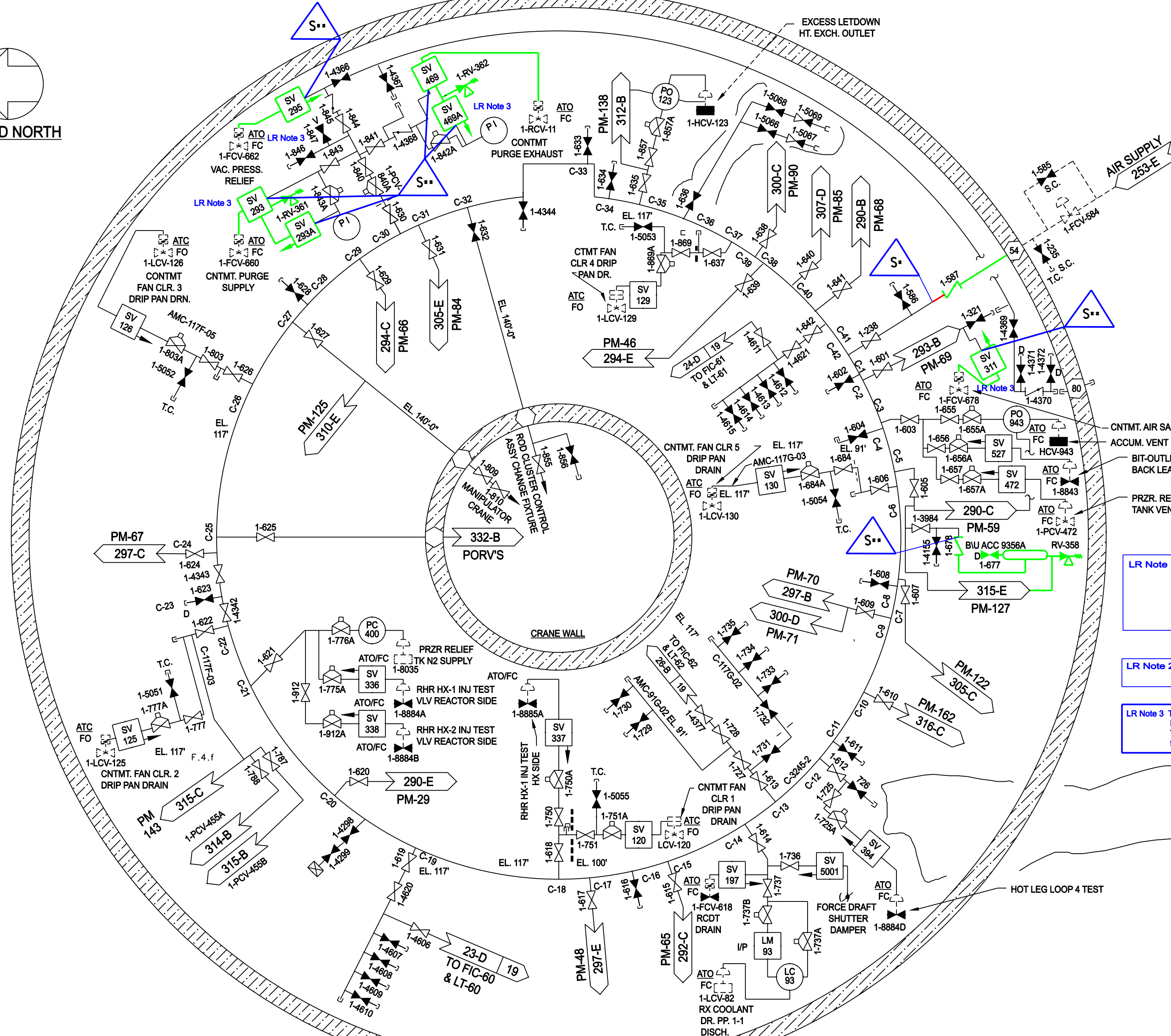
NOTES
 1. NORMAL OPERATION WITH ONLY ONE BOTTLE PER FCV VALVED IN SHADED AREAS ABANDONED EQUIP

LR Note 1 These valves are safety-related, but screened out because they are active. They do not have a pressure-boundary function.

LR BOUNDARY DRAWING NO.	REV.
LR-DCPP-25-106725-26	0



CALLED NORTH



LR Note 1 S* indicates the seismic anchor or series of supports is in the general area as shown since Pipe Support Analysis DCM No. T-26, Section 4.1.9, "Interface Between Design Classes" states that "Within the Code Break Region is a system of supports, or an anchor, that assure protection of the safety-related side of the code boundary"

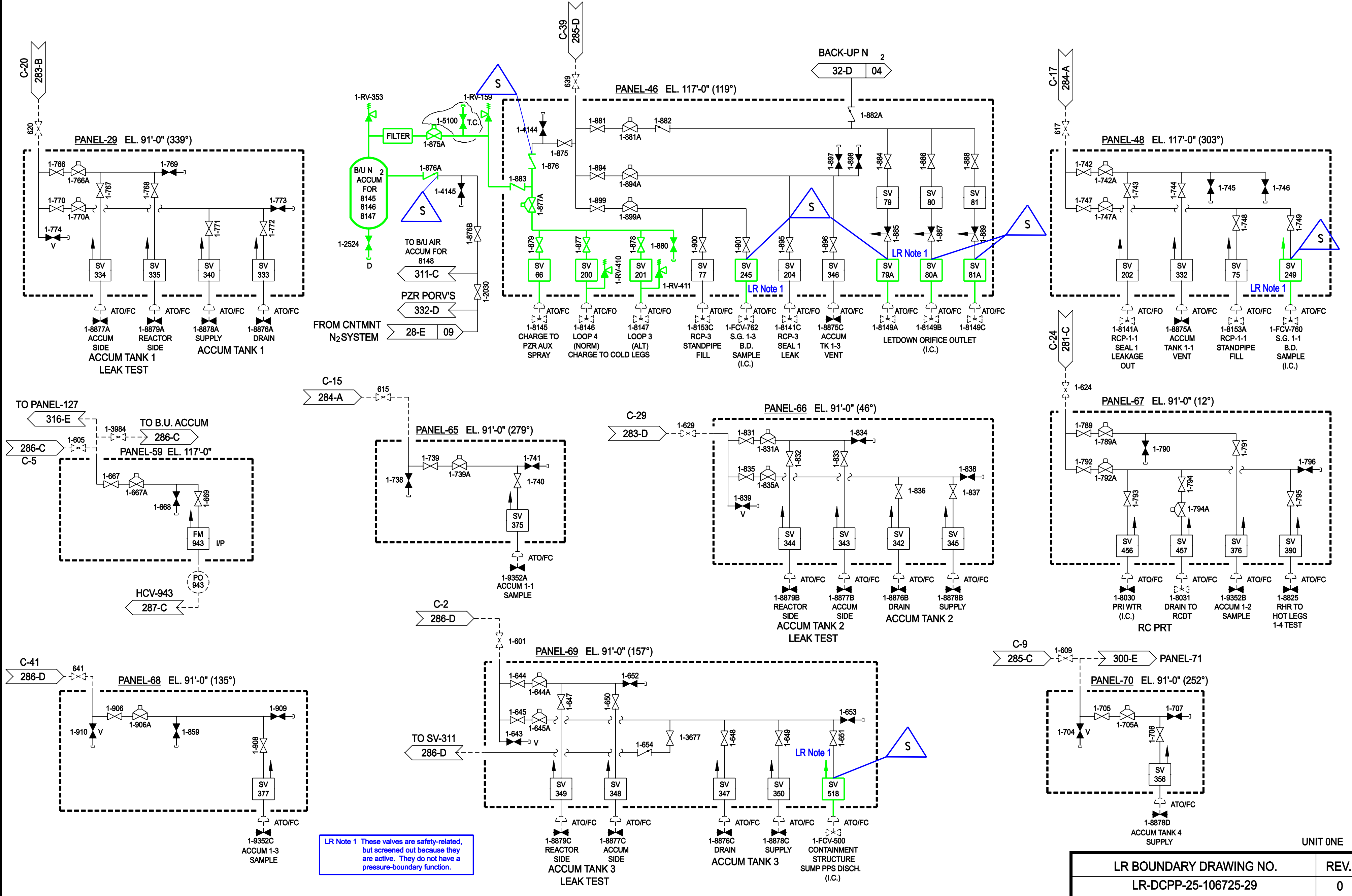
LR Note 2 S** indicates the support is within 6 inches of the valve, as described in dwg 049238.

LR Note 3 These solenoid valves are safety related, but screened out because they are active. They do not have a pressure boundary function.

NOTES:
1. S.C. = SEALED CLOSE.

UNIT ONE	
LR BOUNDARY DRAWING NO.	REV.
LR-DCPP-25-106725-28	0

E
D
C
B
A



LR Note 1 These valves are safety-related, but screened out because they are active. They do not have a pressure-boundary function.

LR BOUNDARY DRAWING NO.	REV.
LR-DCPP-25-106725-29	0

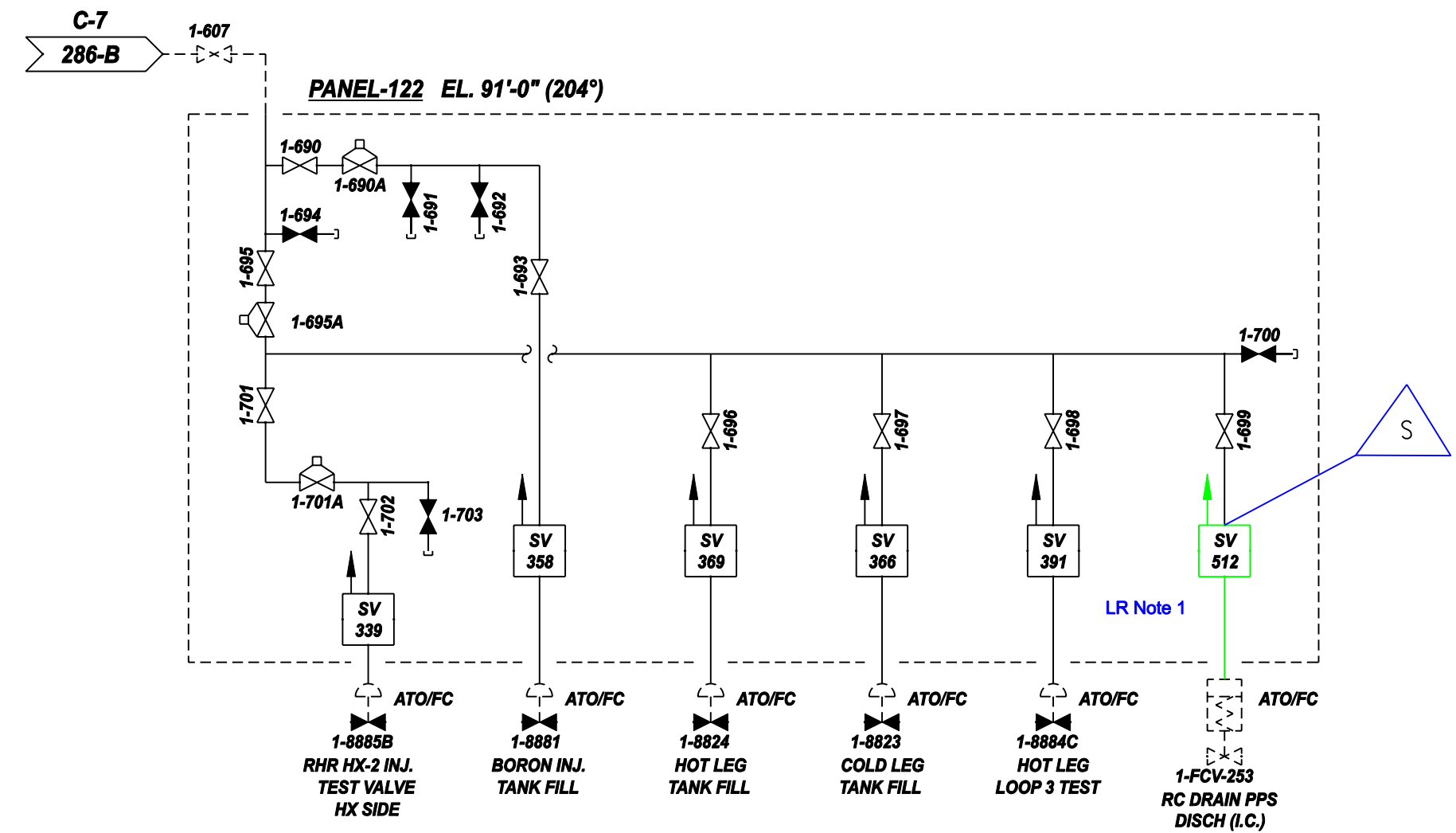
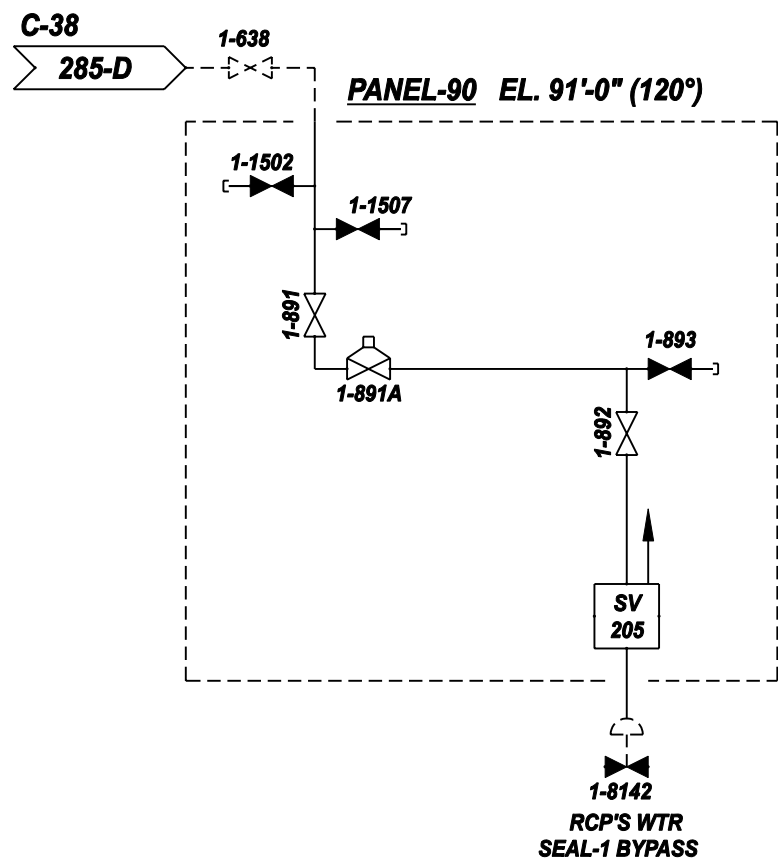
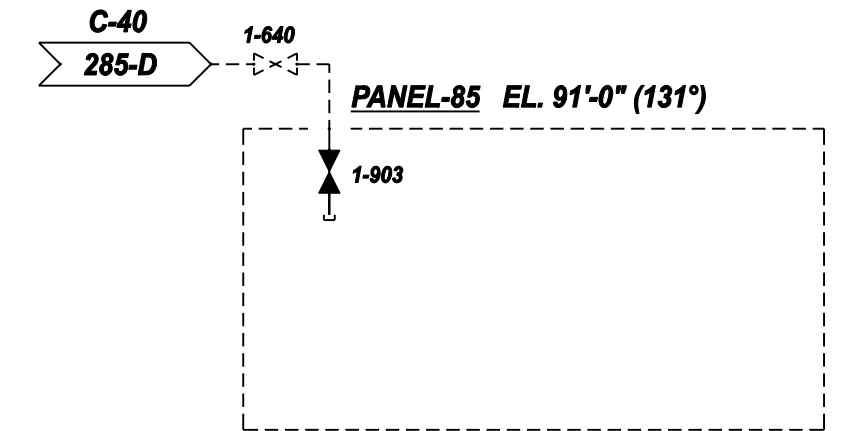
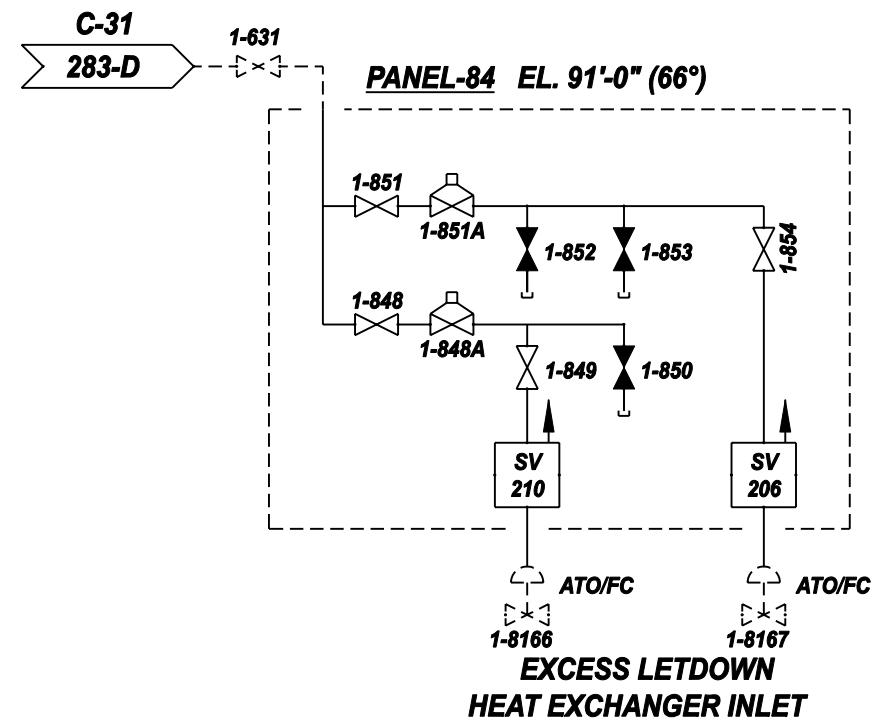
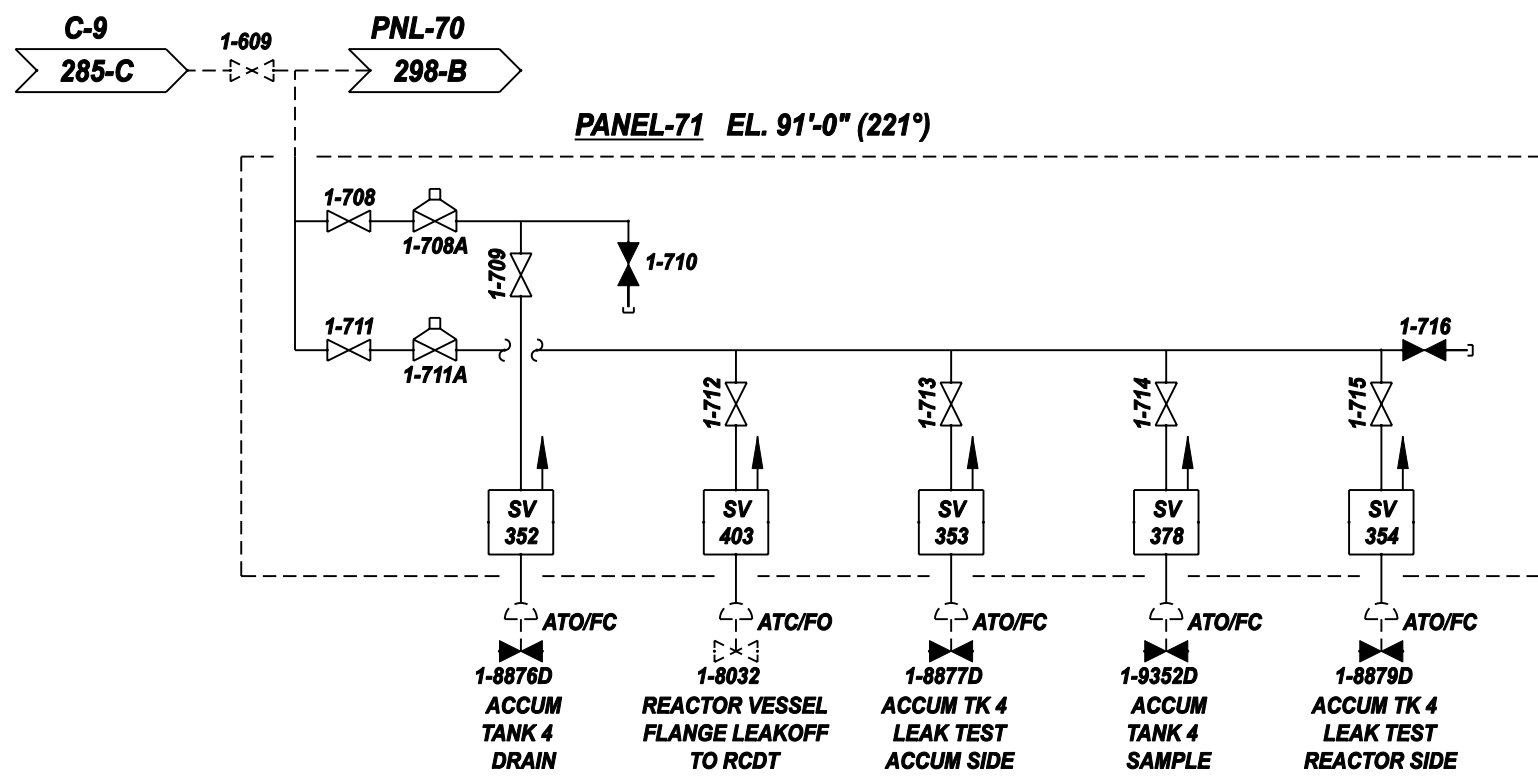
E

D

C

B

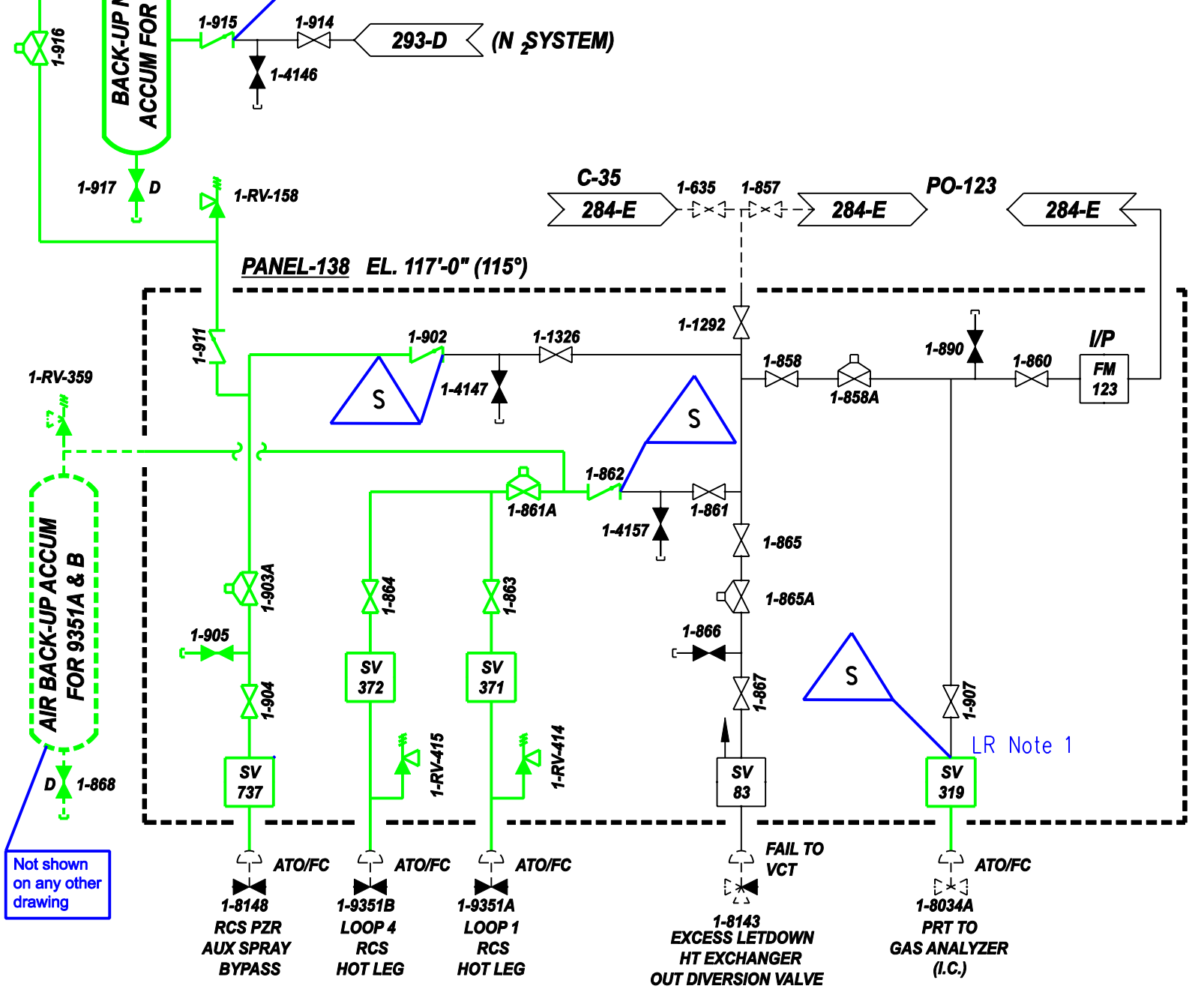
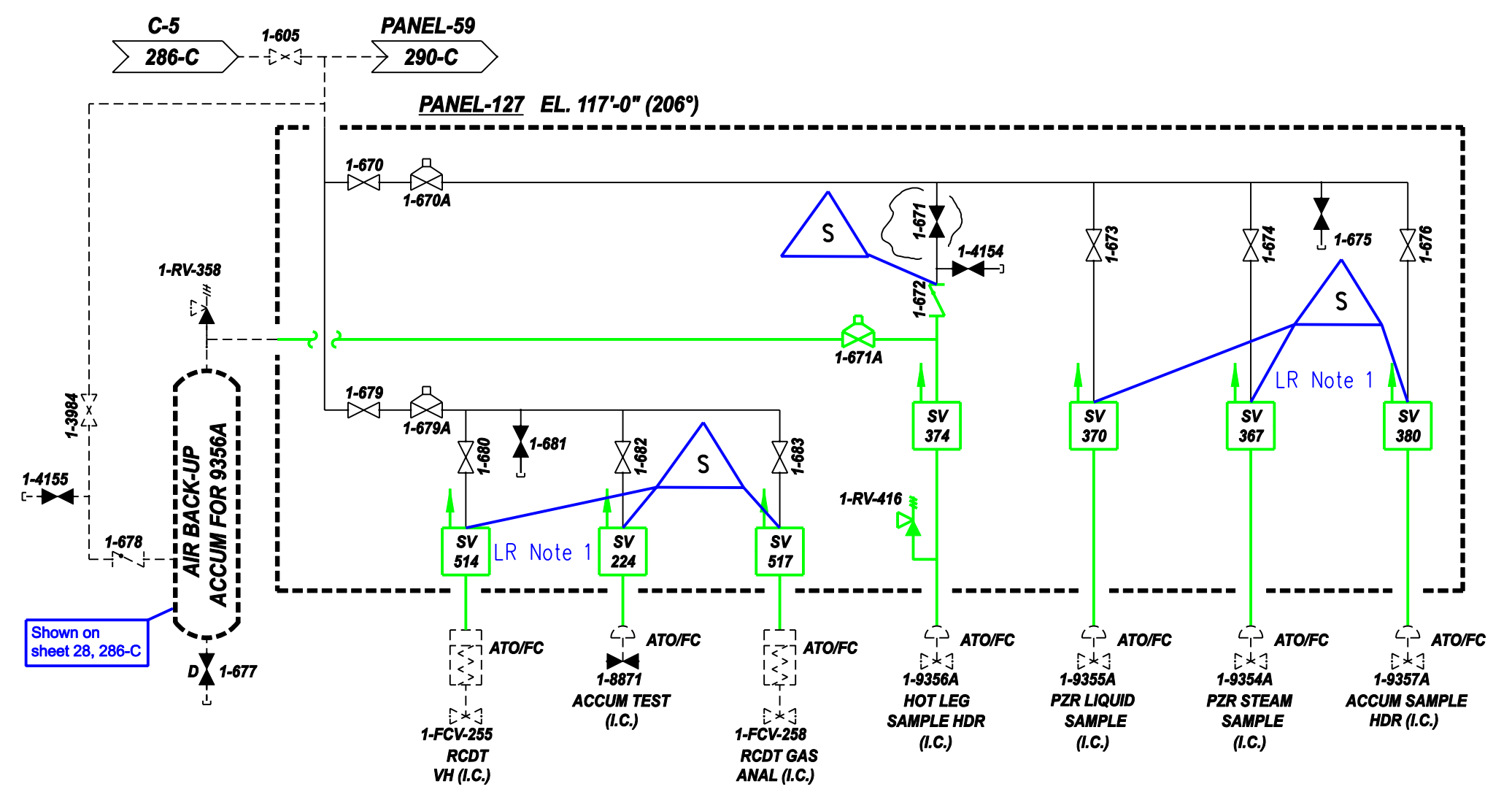
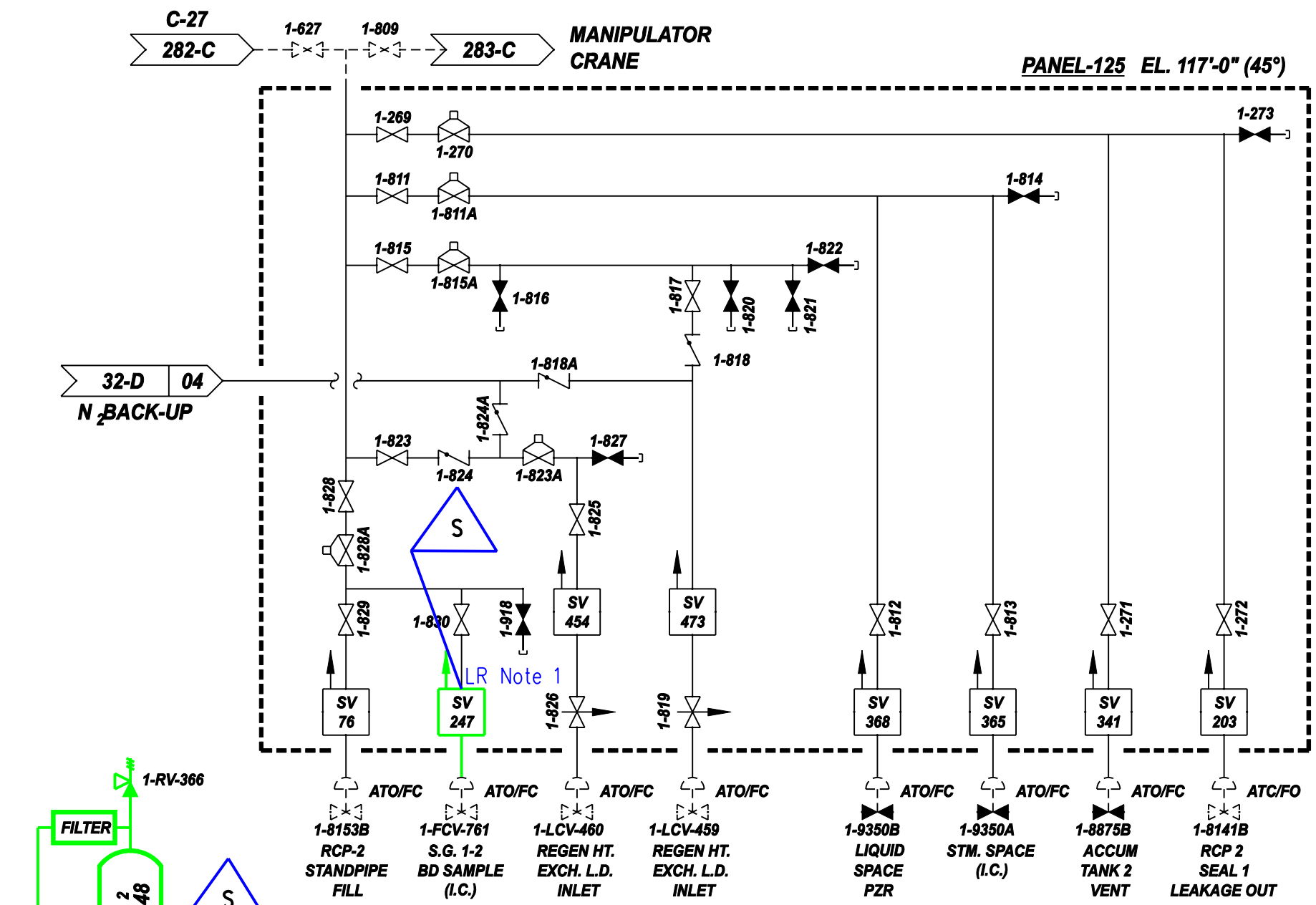
A



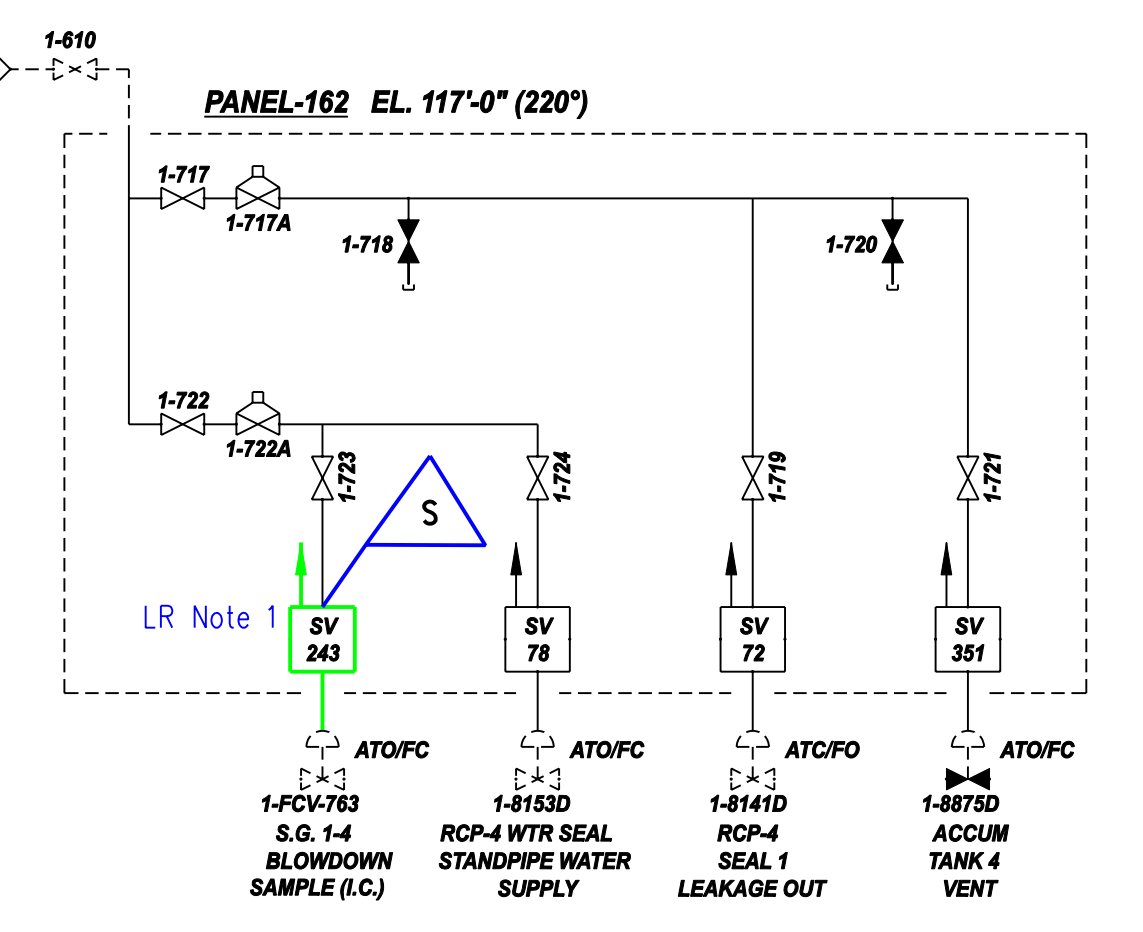
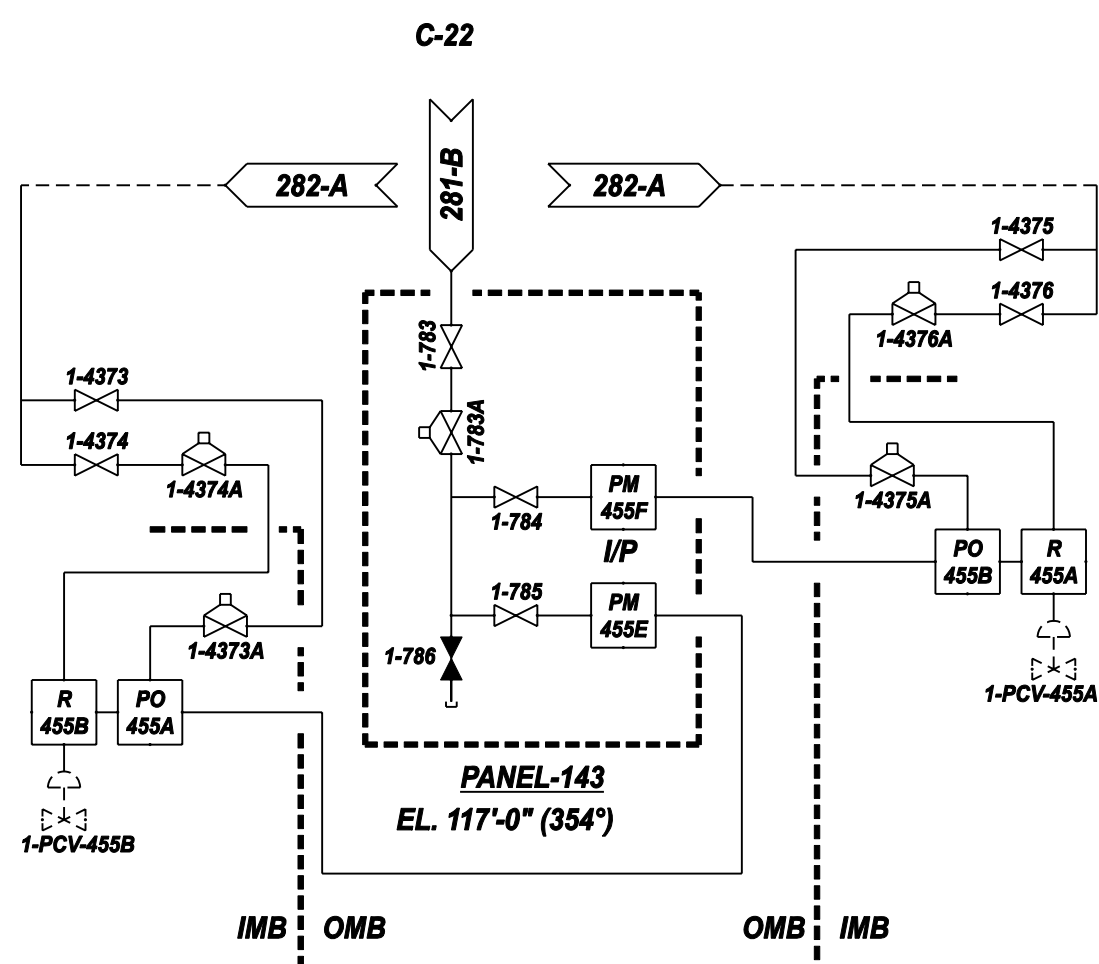
LR Note 1 This solenoid valve is safety-related, but screened out because it is active. It does not have a pressure-boundary function.

UNIT ONE

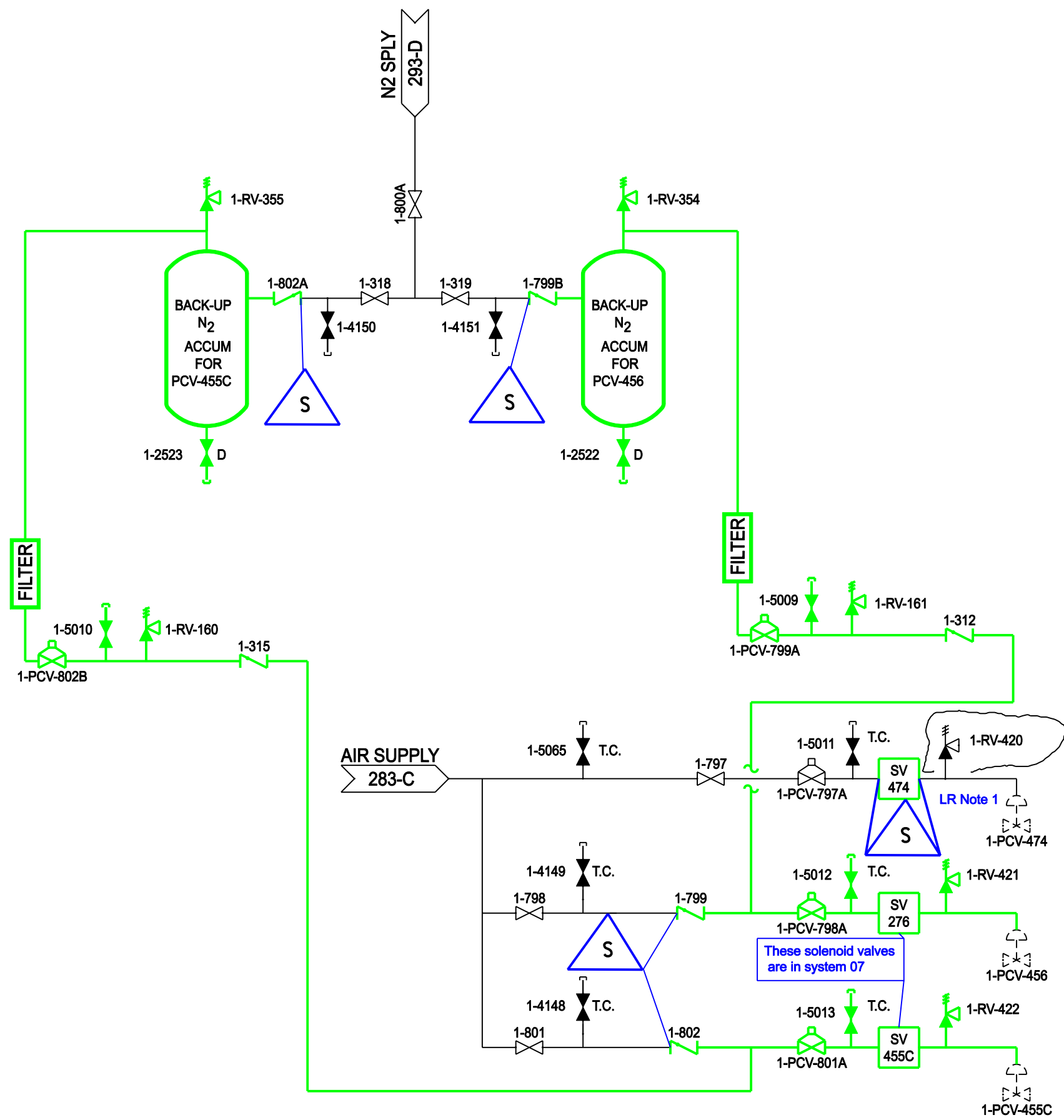
LR BOUNDARY DRAWING NO.	REV.
LR-DCPP-25-106725-30	0



LR Note 1 These solenoid valves are safety-related, but screened out because they are active. They do not have a pressure-boundary function.



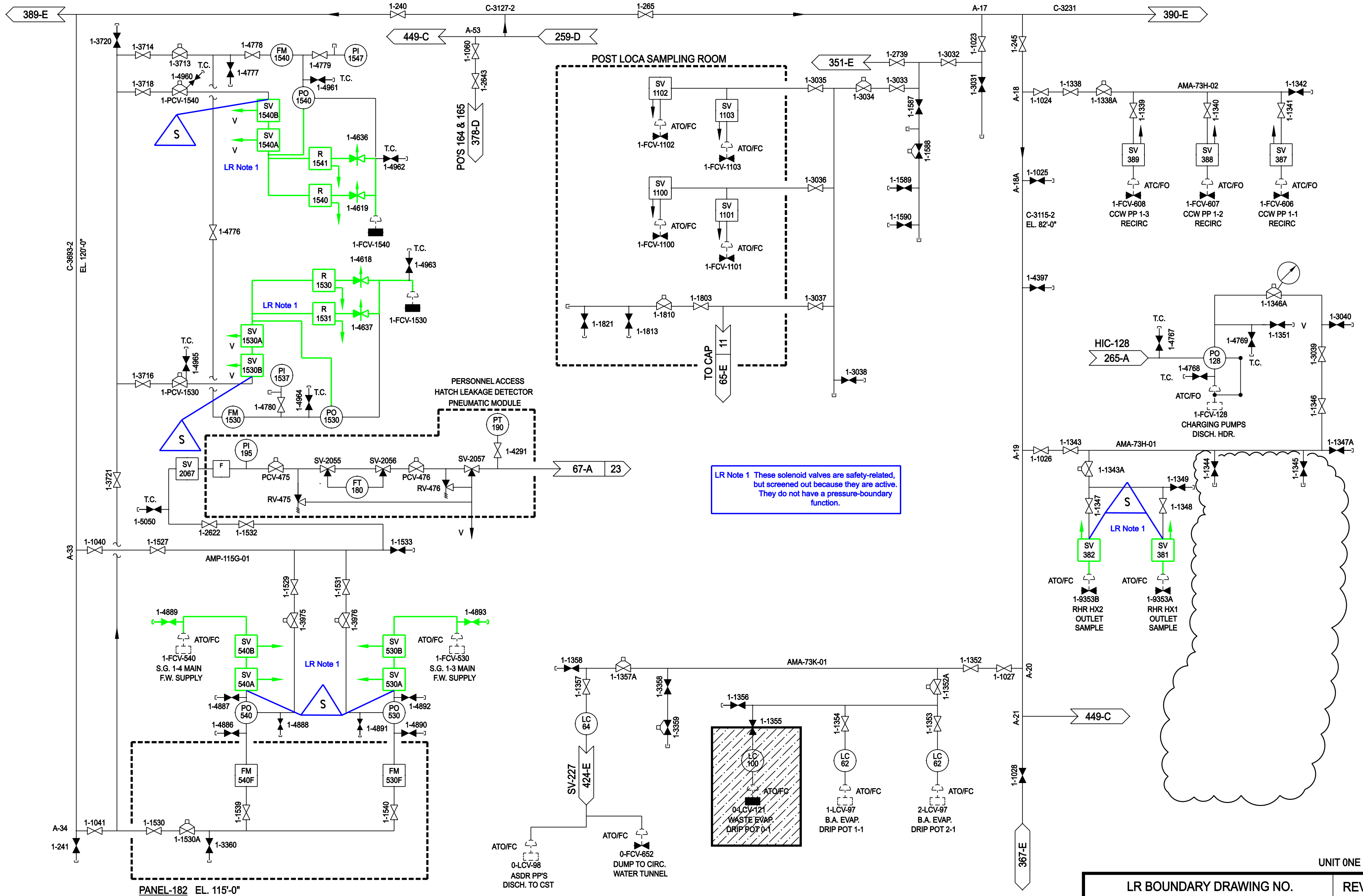
LR BOUNDARY DRAWING NO.	REV.
LR-DCPP-25-106725-31	0



These solenoid valves are in system 07

LR Note 1 This solenoid valve is safety-related, but screened out because it is active. It does not have a pressure-boundary function.

UNIT ONE	
LR BOUNDARY DRAWING NO.	REV.
LR-DCPP-25-106725-33	0



LR Note 1 These solenoid valves are safety-related, but screened out because they are active. They do not have a pressure-boundary function.

UNIT ONE	LR BOUNDARY DRAWING NO.	REV.
	LR-DCPP-25-106725-34	0

370

371

372

373

374

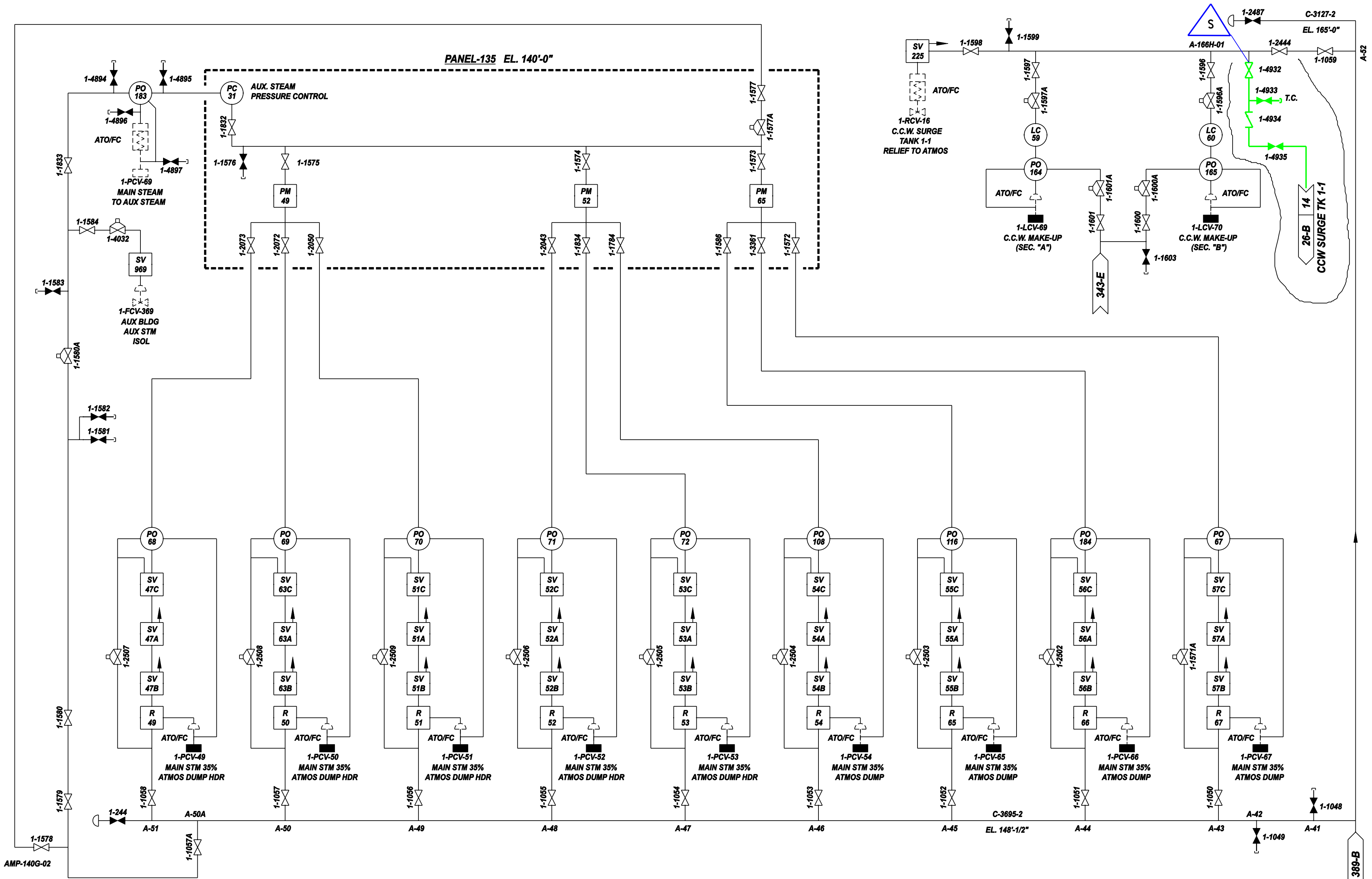
375

376

377

378

379



E

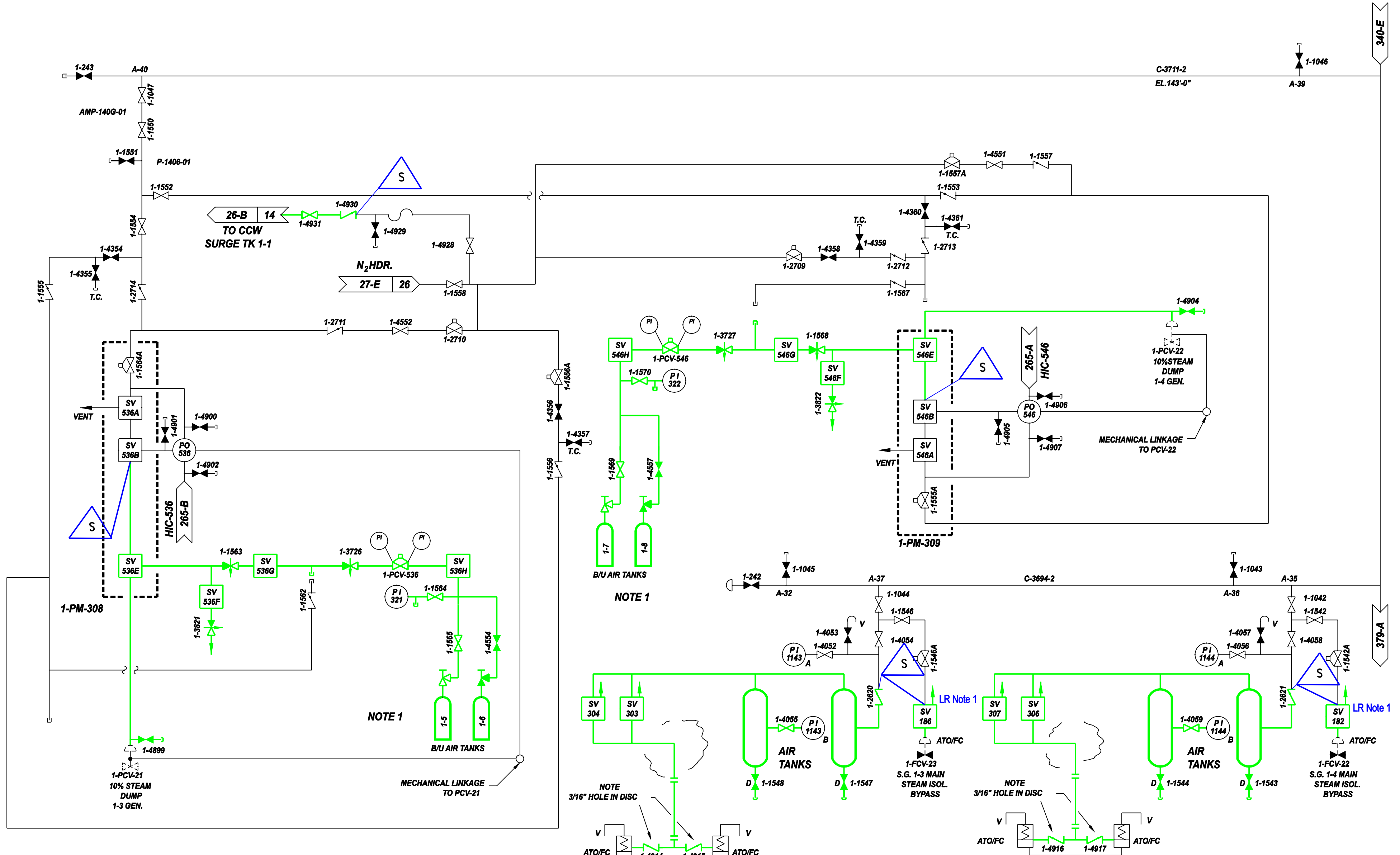
D

C

B

A

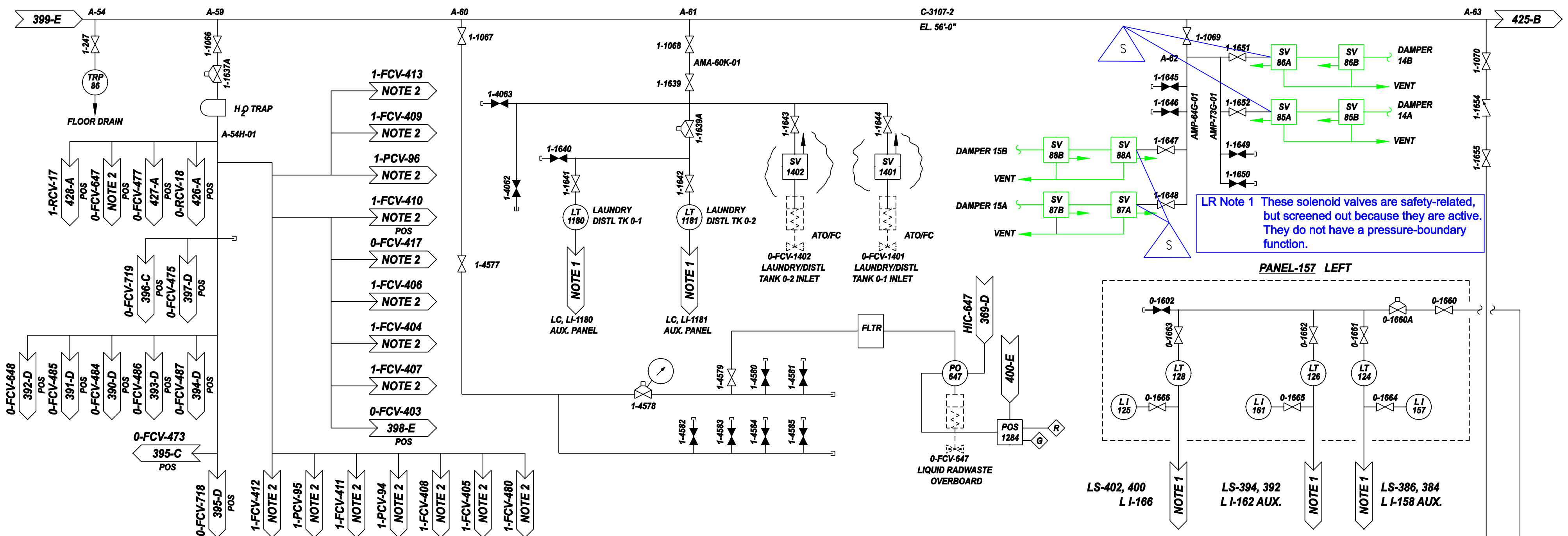
UNIT ONE	
LR BOUNDARY DRAWING NO.	REV.
LR-DCPP-25-106725-37	0



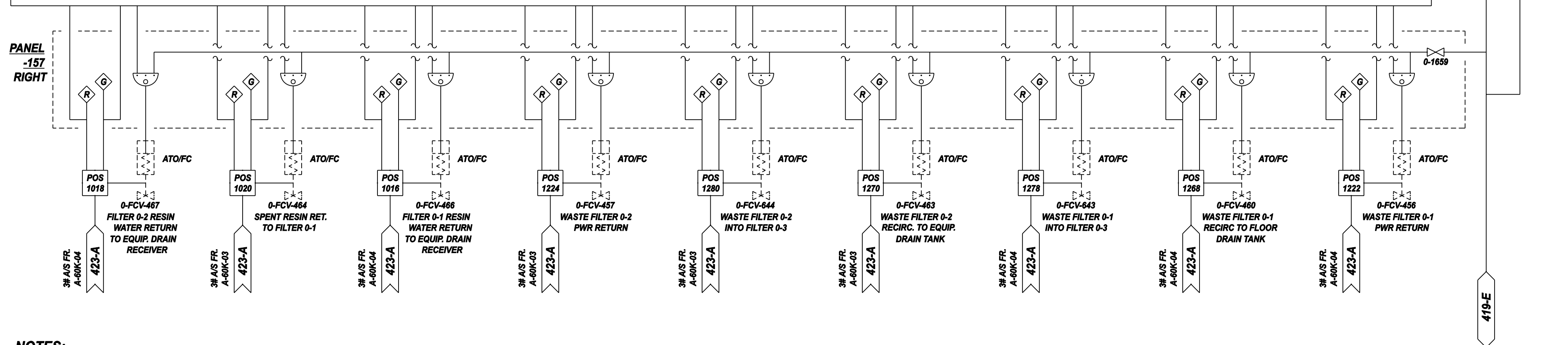
NOTES
 1. NORMAL OPERATION WITH ONLY ONE BOTTLE PER PCV VALVED IN

LR Note 1 These solenoid valves are safety-related, but screened out because they are active. They do not have a pressure-boundary function.

LR BOUNDARY DRAWING NO.	REV.
LR-DCPP-25-106725-38	0



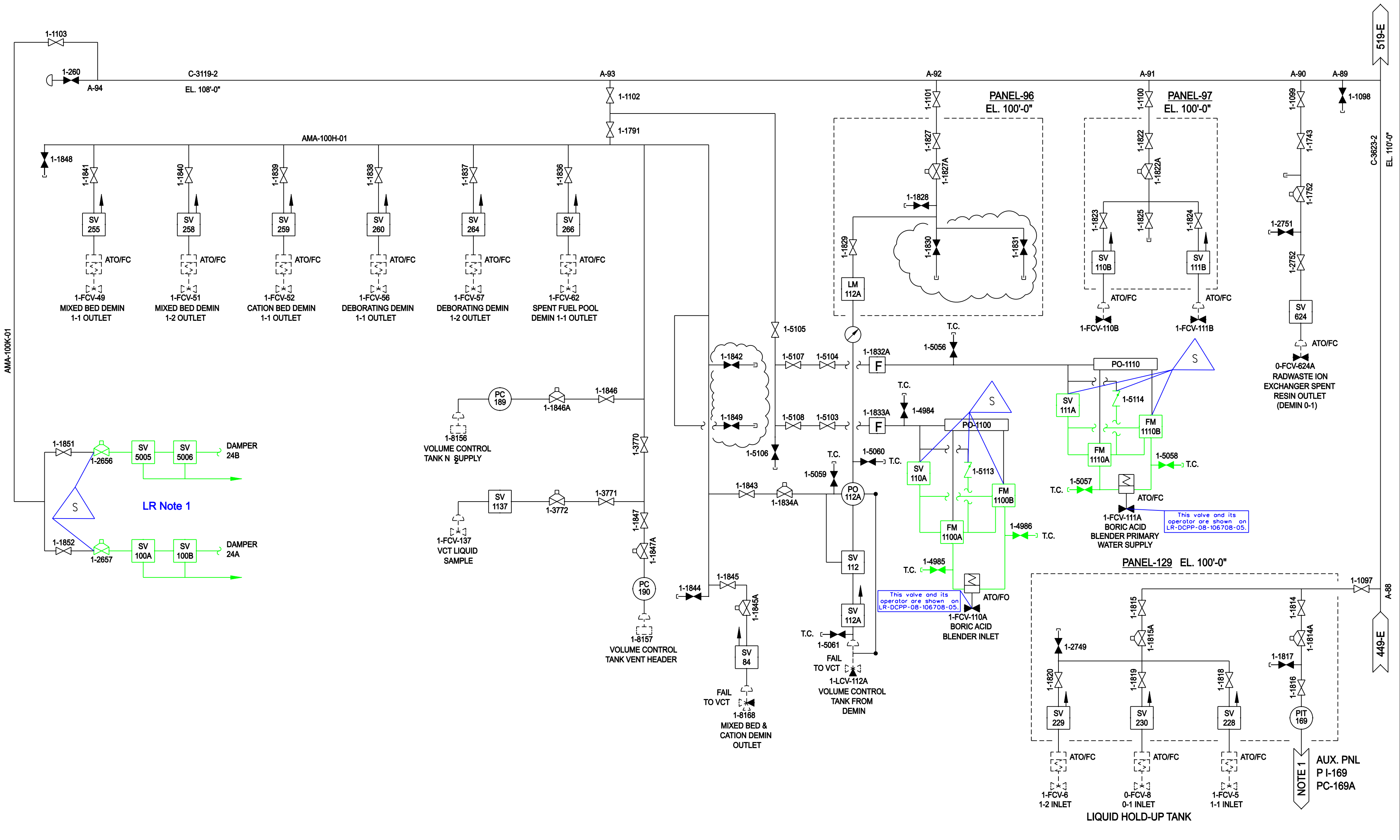
LIQUID RADWASTE CONTROL SYSTEM AUXILIARY BOARD



NOTES:

1. INSTRUMENTS LOCATED AT AUXILIARY CONTROL BOARD.
2. 3# A/S FOR POSITION SWITCHES (VALVES CONTROLLED FROM FLUIDIC LOGIC).

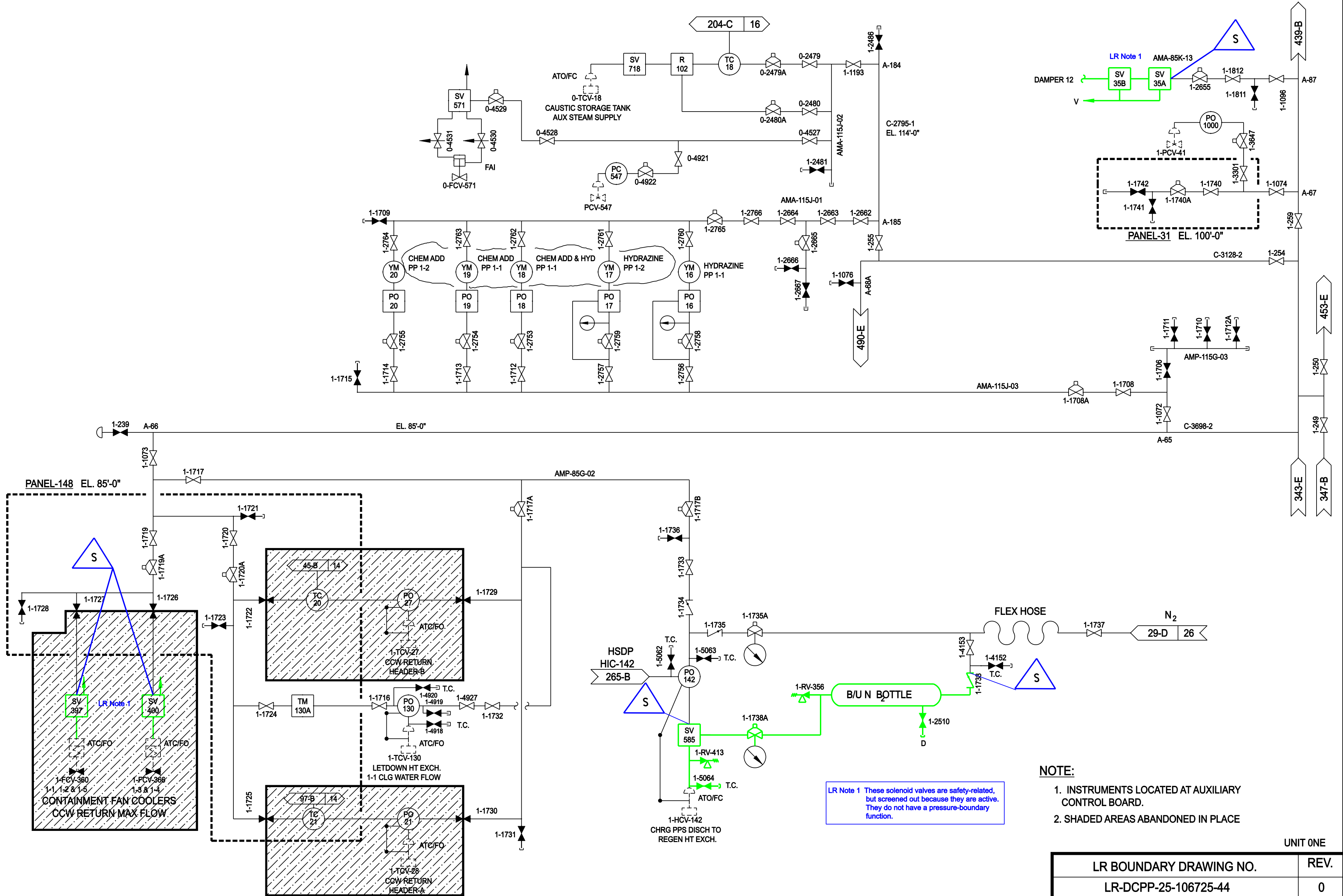
UNIT ONE	
LR BOUNDARY DRAWING NO.	REV.
LR-DCPP-25-106725-40	0



NOTES:
1. INSTRUMENT LOCATED AT AUX. CONTROL BOARD

LR Note 1 These solenoid valves are safety-related, but screened out because they are active. They do not have a pressure-boundary function.

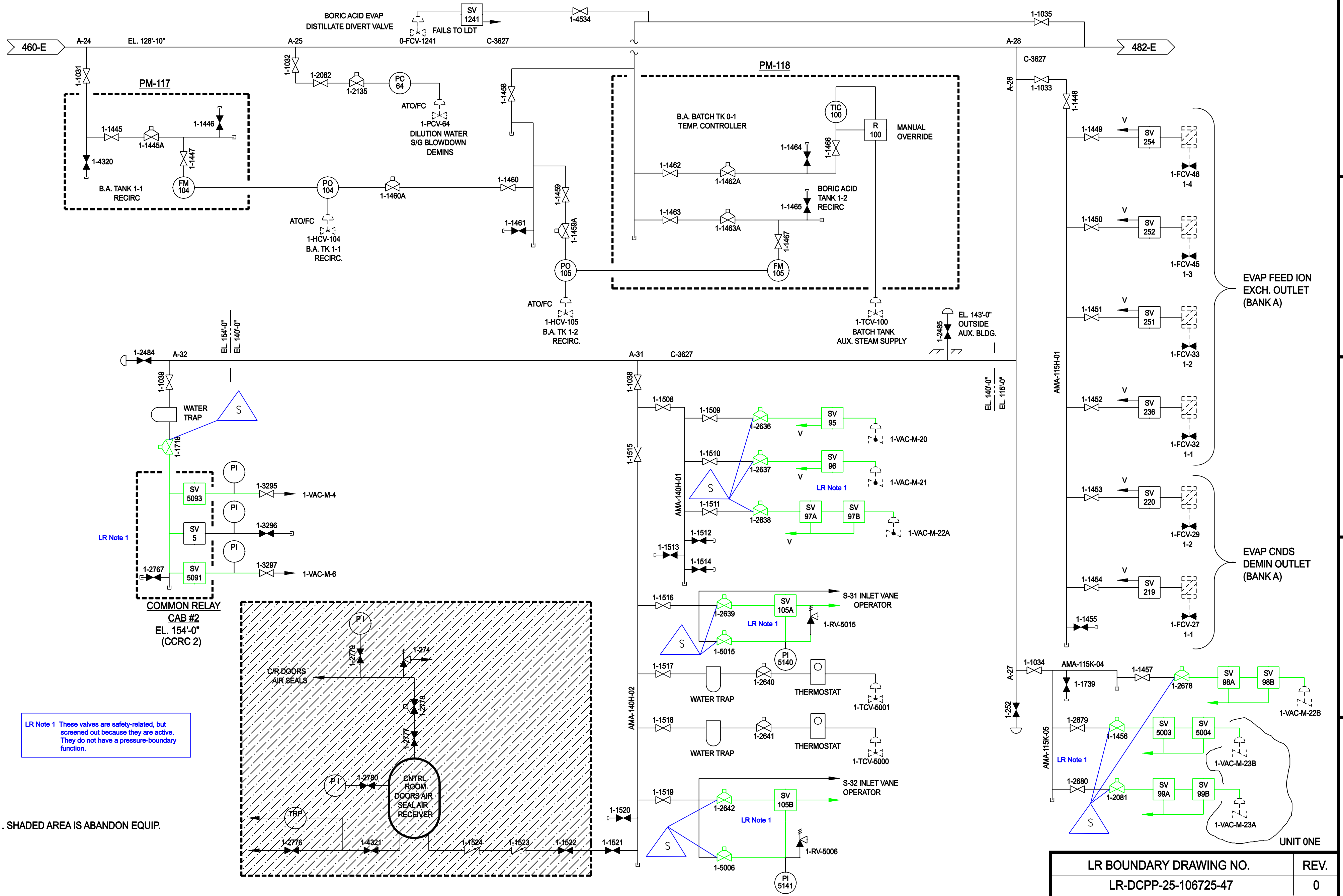
UNIT ONE	
LR BOUNDARY DRAWING NO.	REV.
LR-DCPP-25-106725-43	0



LR Note 1 These solenoid valves are safety-related, but screened out because they are active. They do not have a pressure-boundary function.

- NOTE:**
1. INSTRUMENTS LOCATED AT AUXILIARY CONTROL BOARD.
 2. SHADED AREAS ABANDONED IN PLACE

UNIT ONE	
LR BOUNDARY DRAWING NO.	REV.
LR-DCPP-25-106725-44	0



LR Note 1 These valves are safety-related, but screened out because they are active. They do not have a pressure-boundary function.

1. SHADED AREA IS ABANDON EQUIP.

LR BOUNDARY DRAWING NO.	REV.
LR-DCPP-25-106725-47	0

490

491

492

493

494

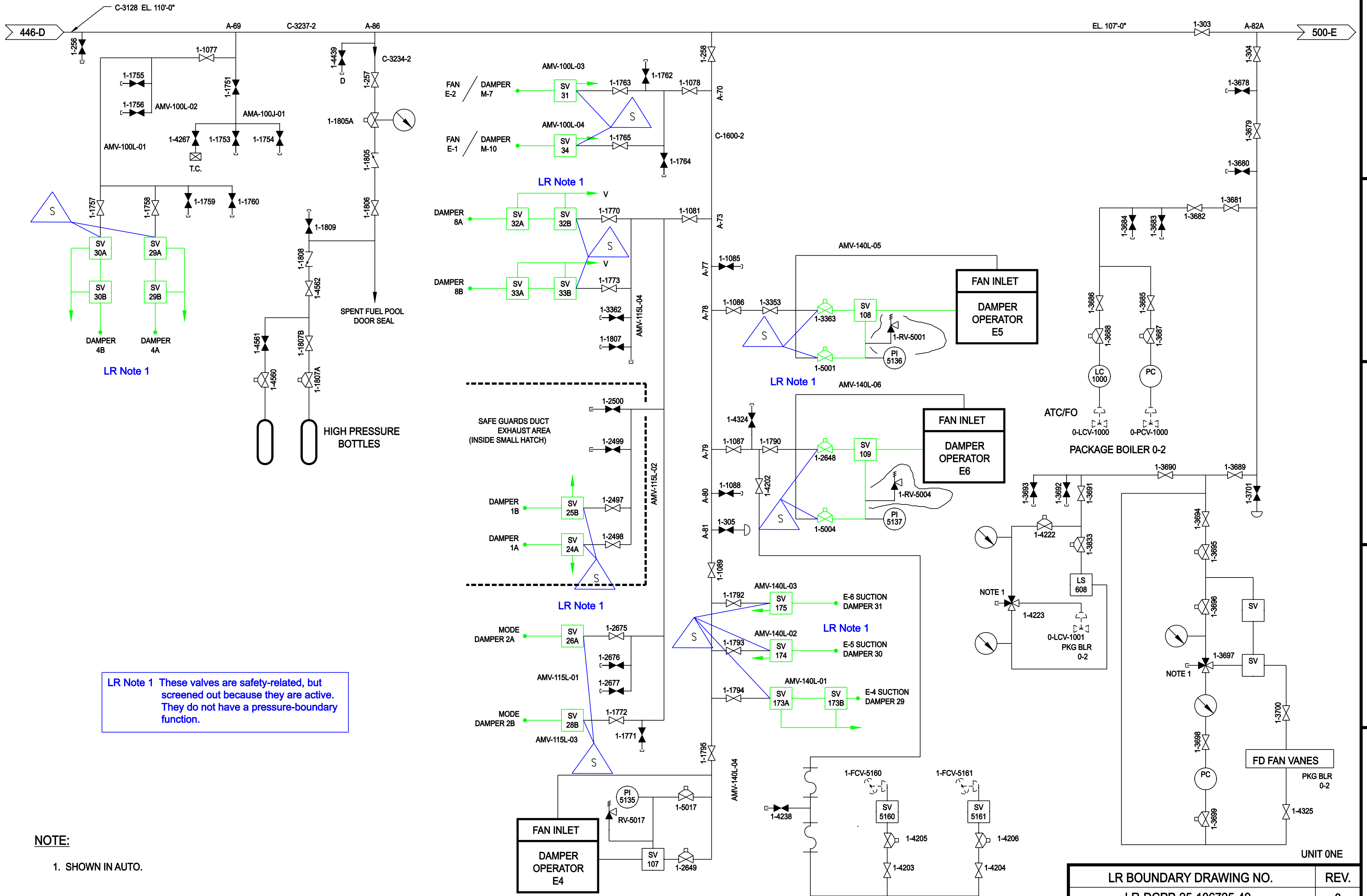
495

496

497

498

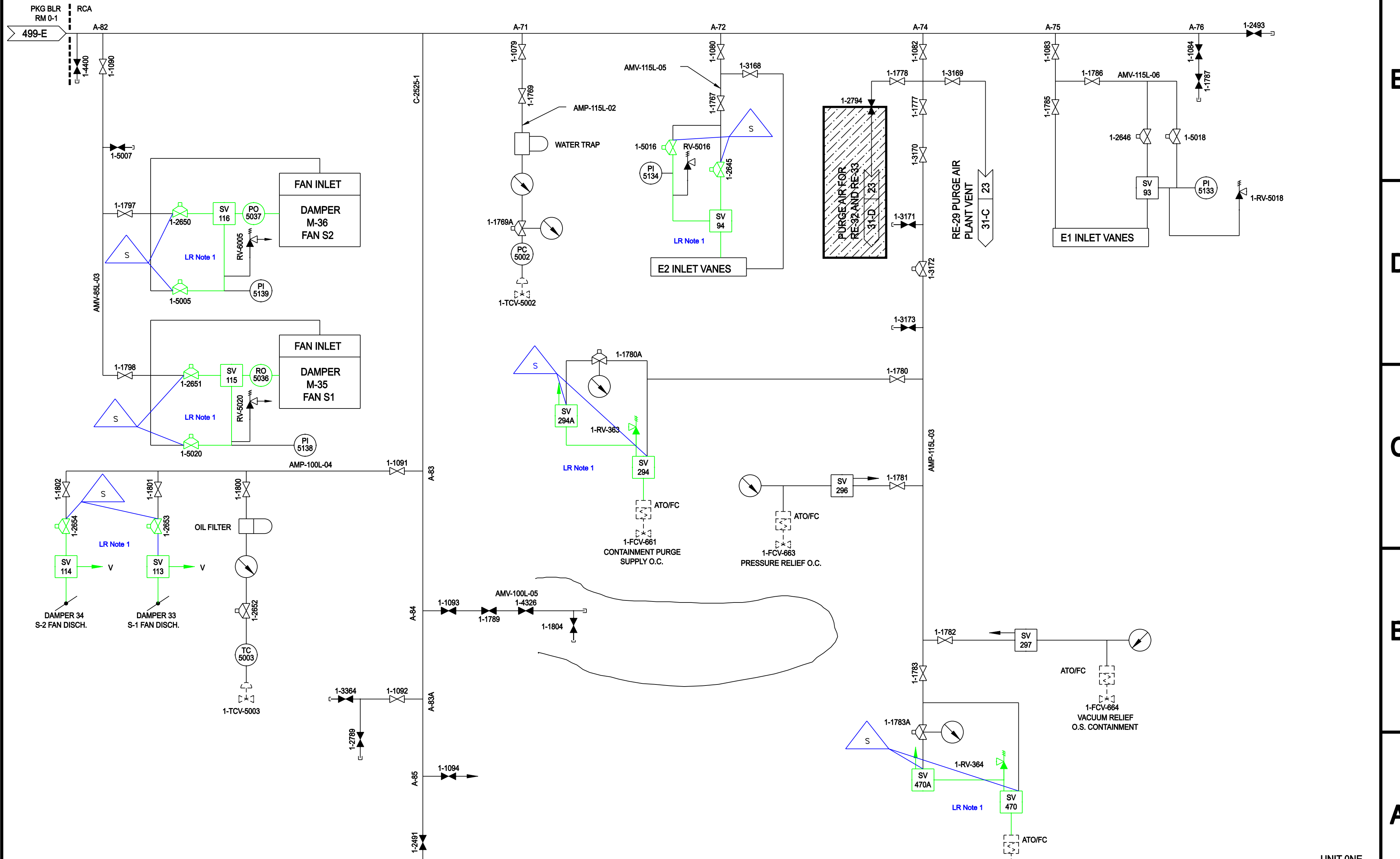
499



LR Note 1 These valves are safety-related, but screened out because they are active. They do not have a pressure-boundary function.

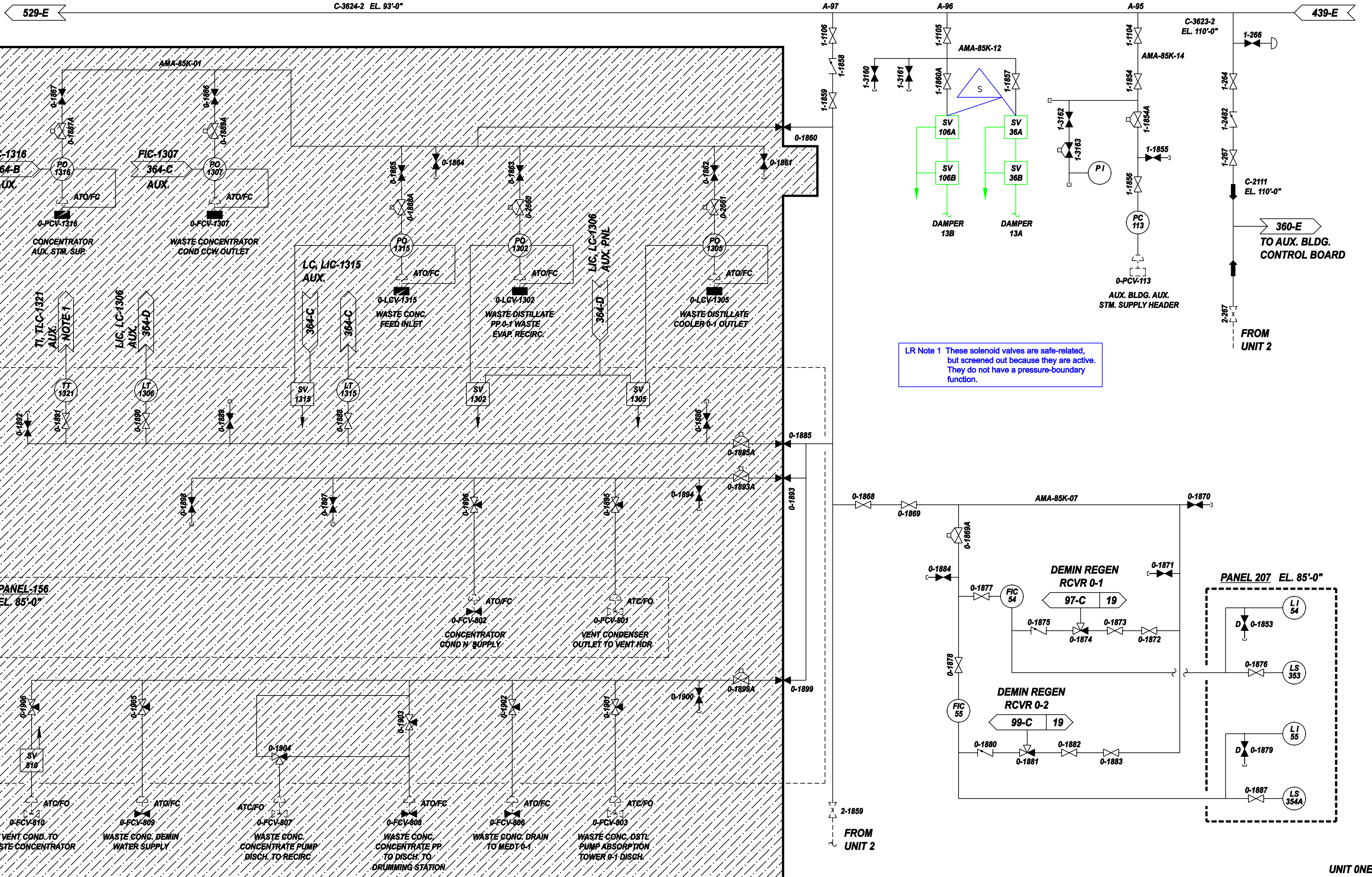
NOTE:
1. SHOWN IN AUTO.

LR BOUNDARY DRAWING NO.	REV.
LR-DCPP-25-106725-49	0



LR Note 1 These valves are safety-related, but screened out because they are active. They do not have a pressure-boundary function.

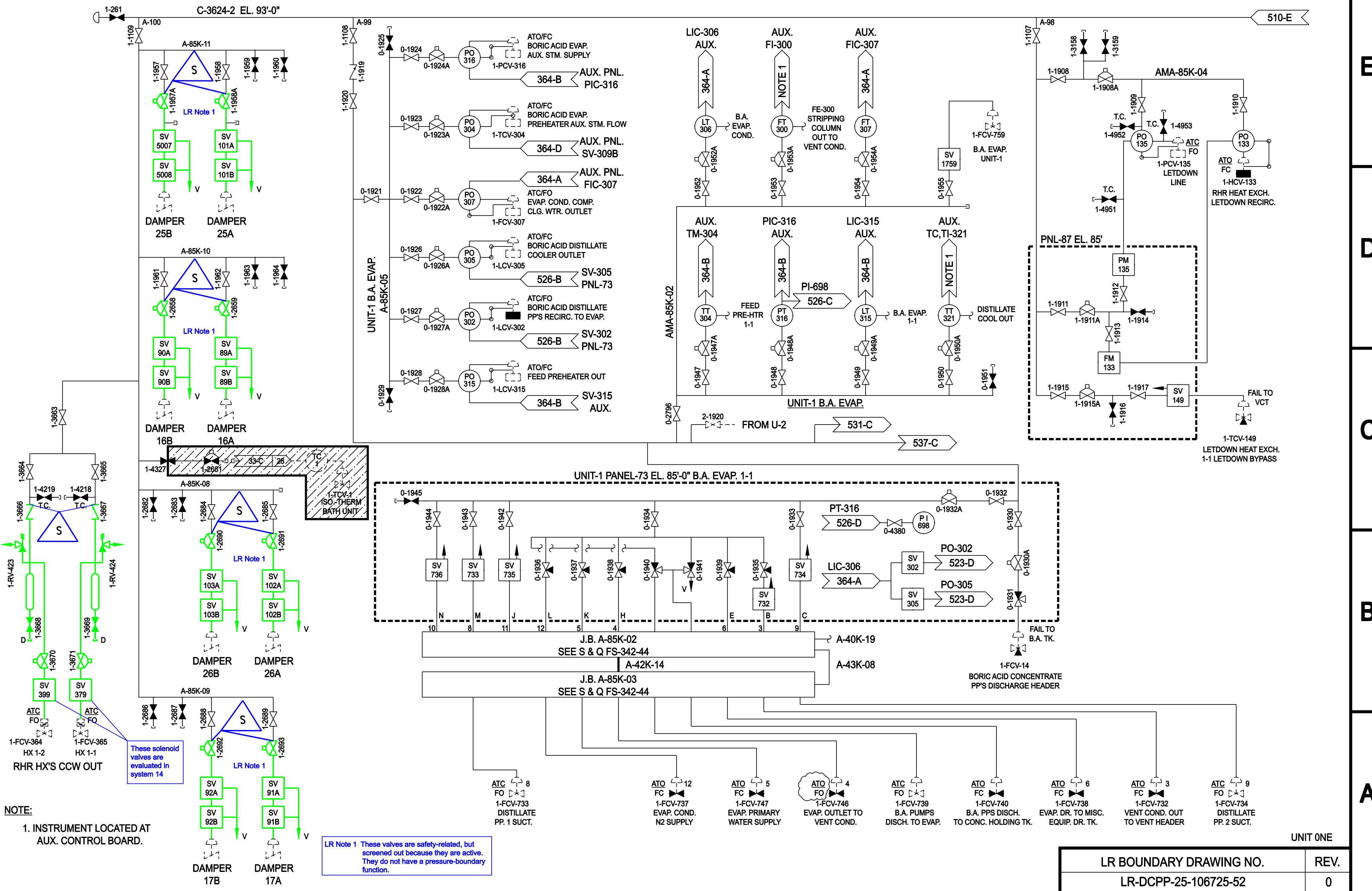
UNIT ONE	
LR BOUNDARY DRAWING NO.	REV.
LR-DCPP-25-106725-50	0



LR Note 1 These solenoid valves are safe-related, but screened out because they are active. They do not have a pressure-boundary function.

NOTE:
1. INSTRUMENTS LOCATED AT AUX. CONTROL BOARD.

LR BOUNDARY DRAWING NO.	REV.
LR-DCPP-25-106725-51	0



NOTE:
1. INSTRUMENT LOCATED AT AUX. CONTROL BOARD.

LR Note 1 These valves are safety-related, but screened out because they are active. They do not have a pressure-boundary function.

LR BOUNDARY DRAWING NO.	REV.
LR-DCPP-25-106725-52	0

E
D
C
B
A

UNIT ONE

580

581

582

583

584

585

586

587

588

589

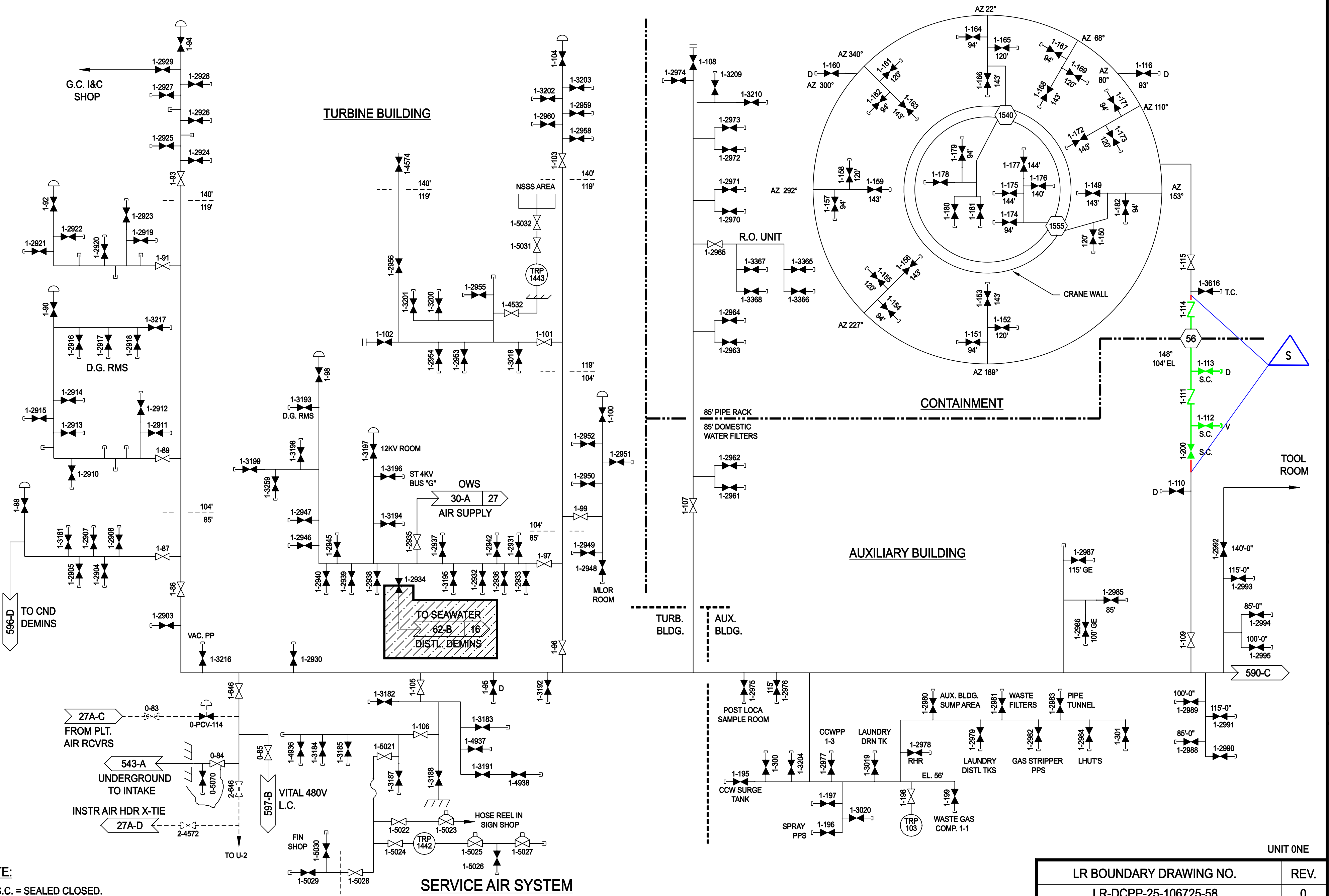
E

D

C

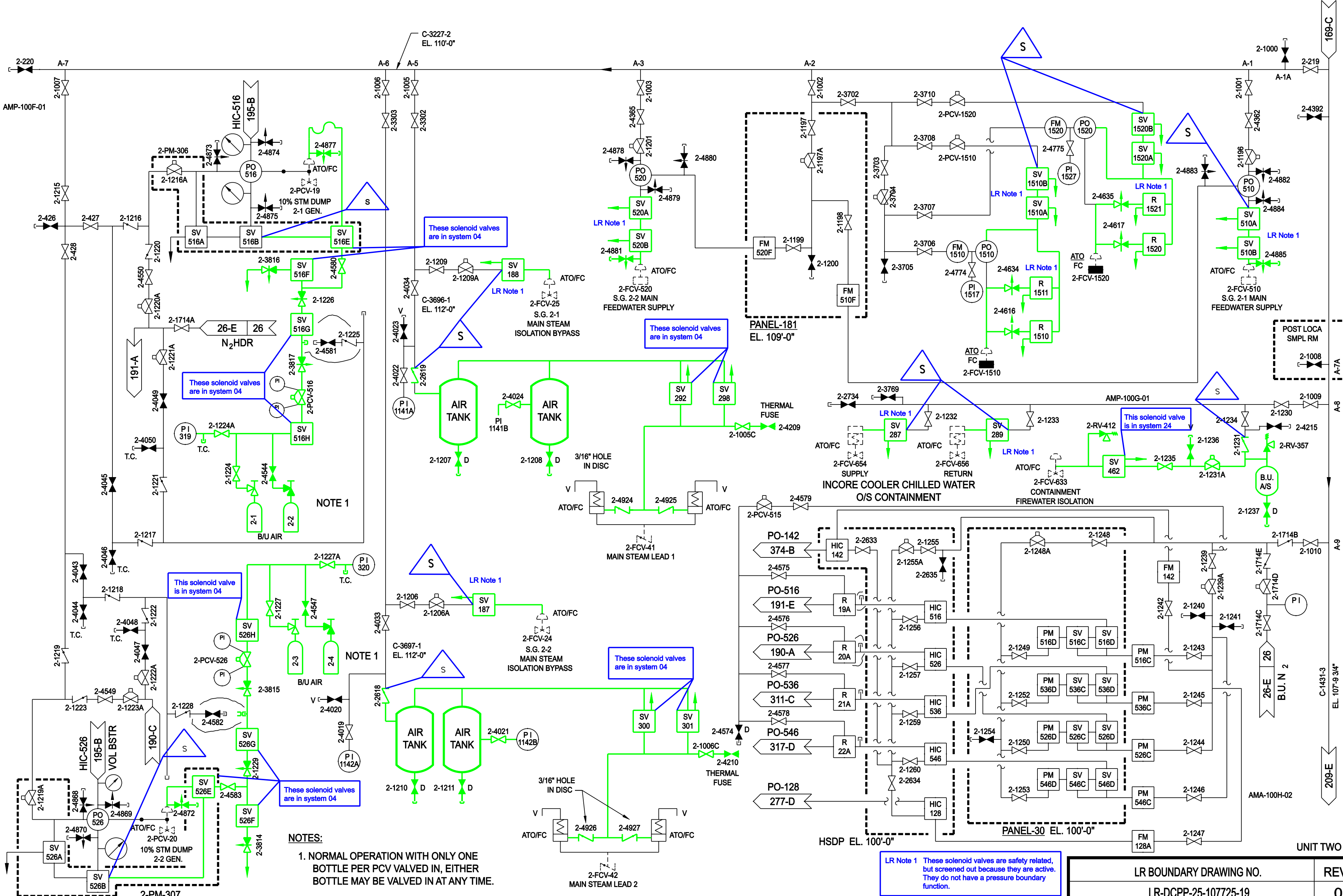
B

A



NOTE:
S.C. = SEALED CLOSED.

LR BOUNDARY DRAWING NO.	REV.
LR-DCPP-25-106725-58	0



NOTES:
 1. NORMAL OPERATION WITH ONLY ONE BOTTLE PER PCV VALVED IN, EITHER BOTTLE MAY BE VALVED IN AT ANY TIME.

LR Note 1 These solenoid valves are safety related, but screened out because they are active. They do not have a pressure boundary function.

LR BOUNDARY DRAWING NO.	REV.
LR-DCPP-25-107725-19	0

200

201

202

203

204

205

206

207

208

209

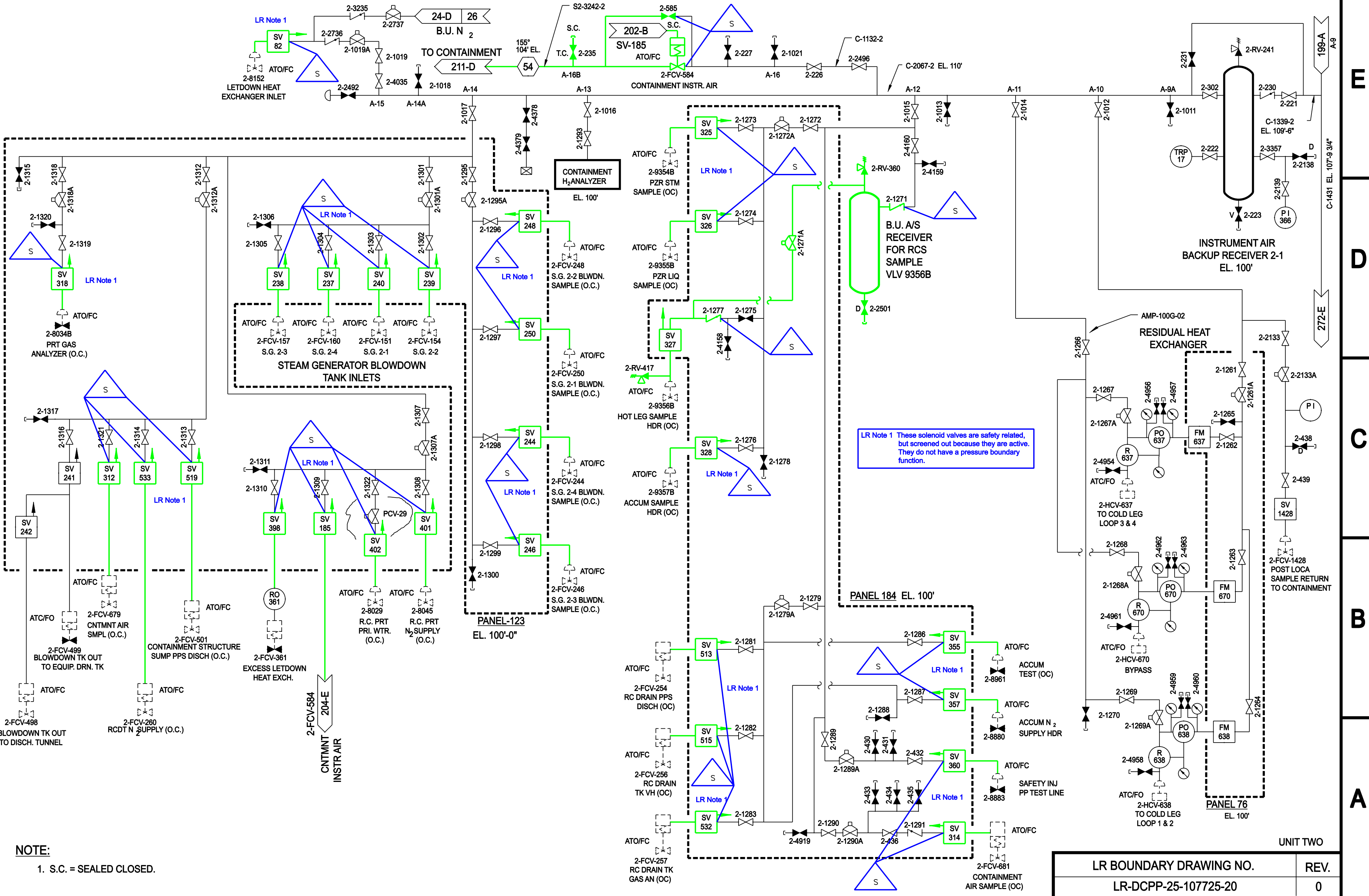
E

D

C

B

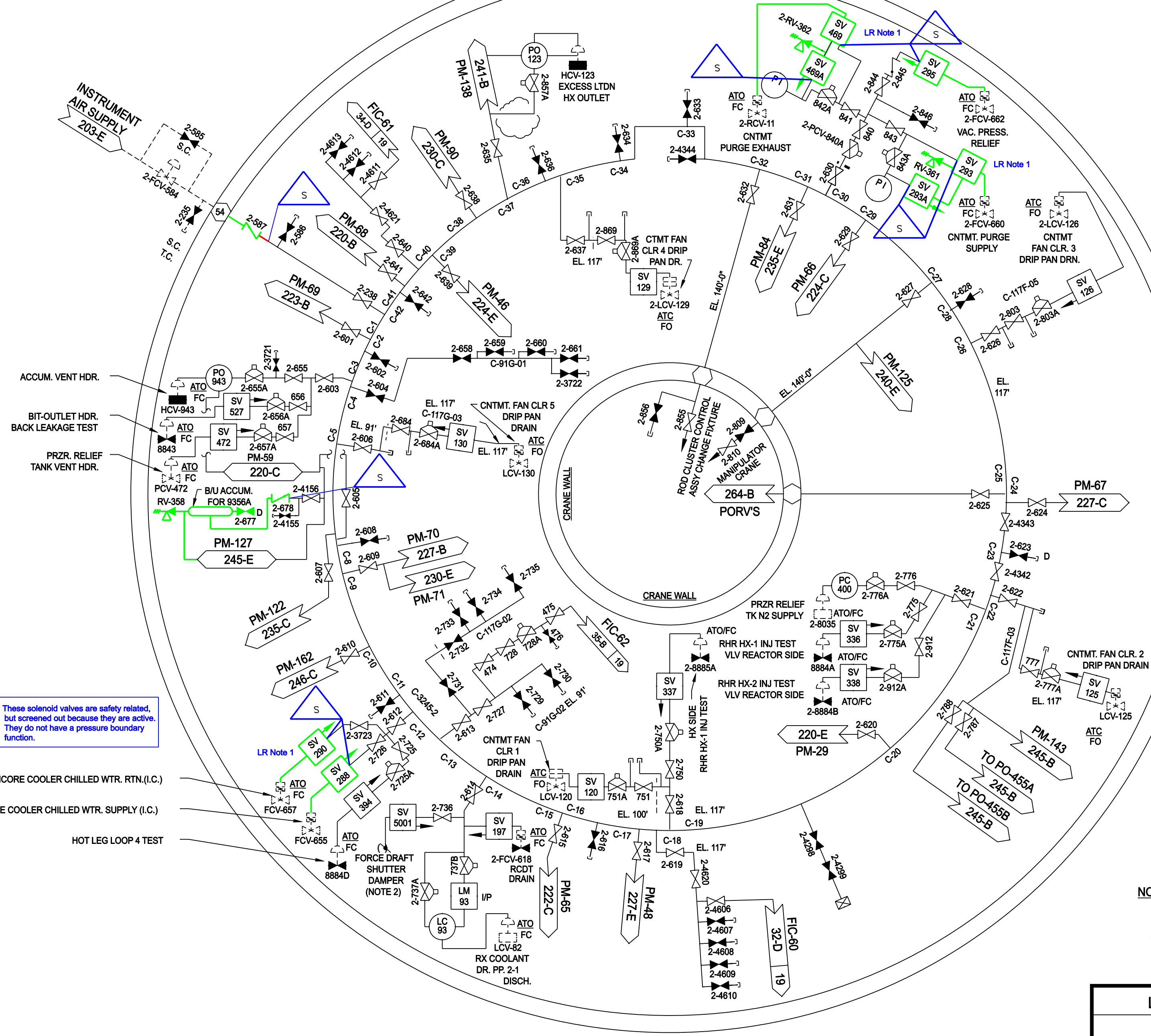
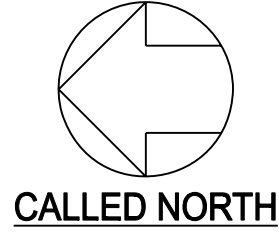
A



NOTE:
 1. S.C. = SEALED CLOSED.

LR Note 1 These solenoid valves are safety related, but screened out because they are active. They do not have a pressure boundary function.

LR BOUNDARY DRAWING NO.	REV.
LR-DCPP-25-107725-20	0

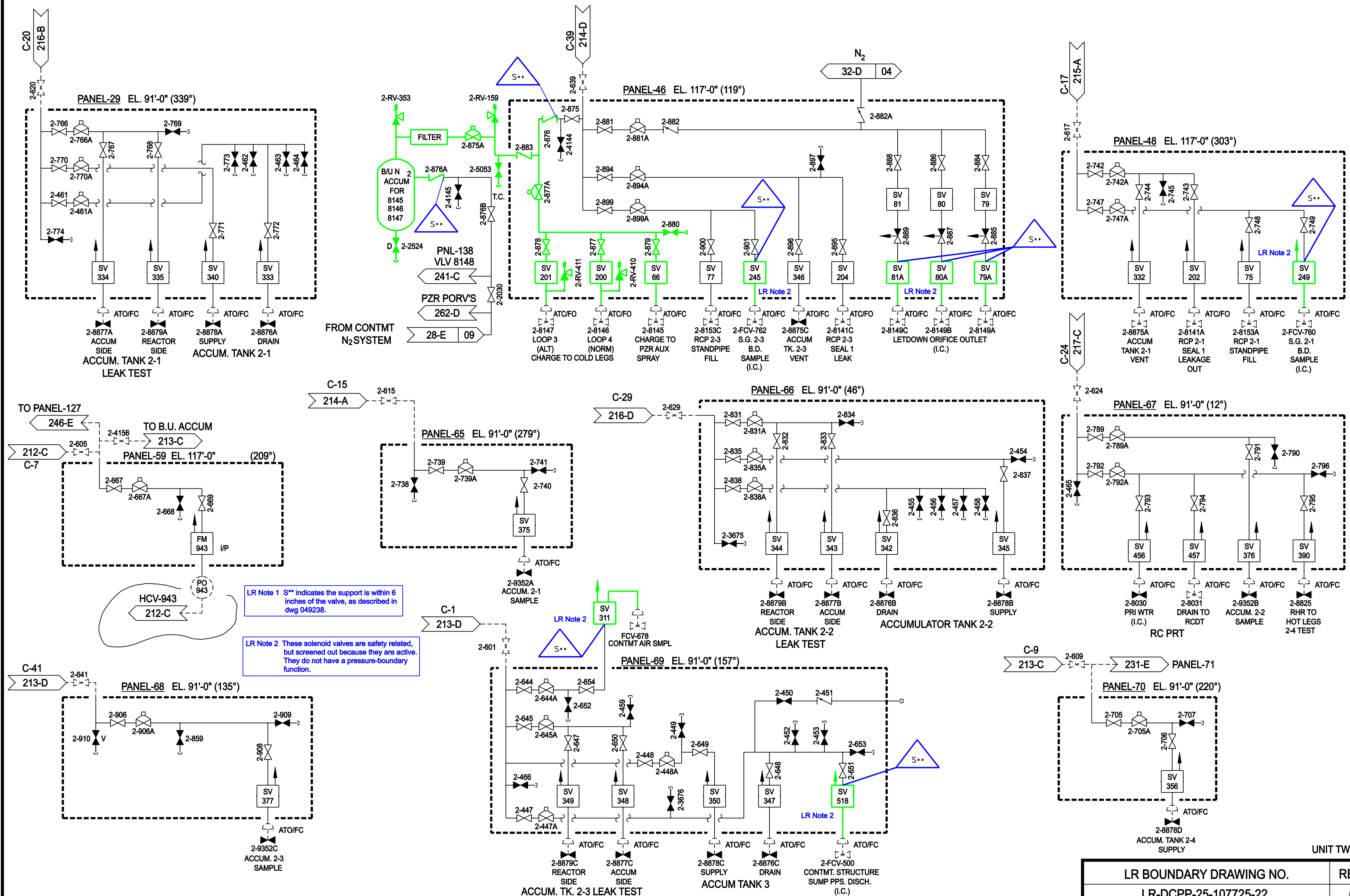


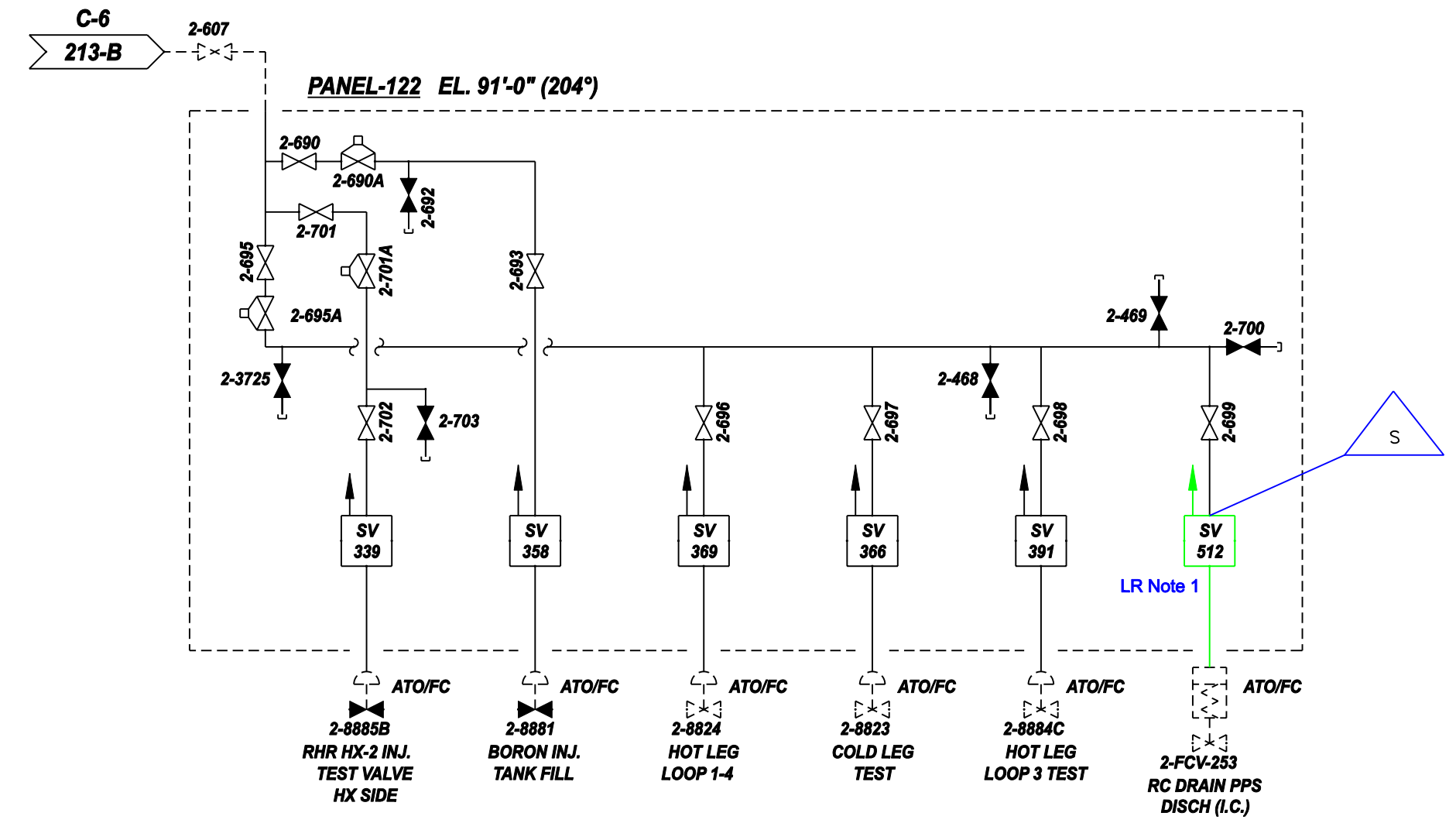
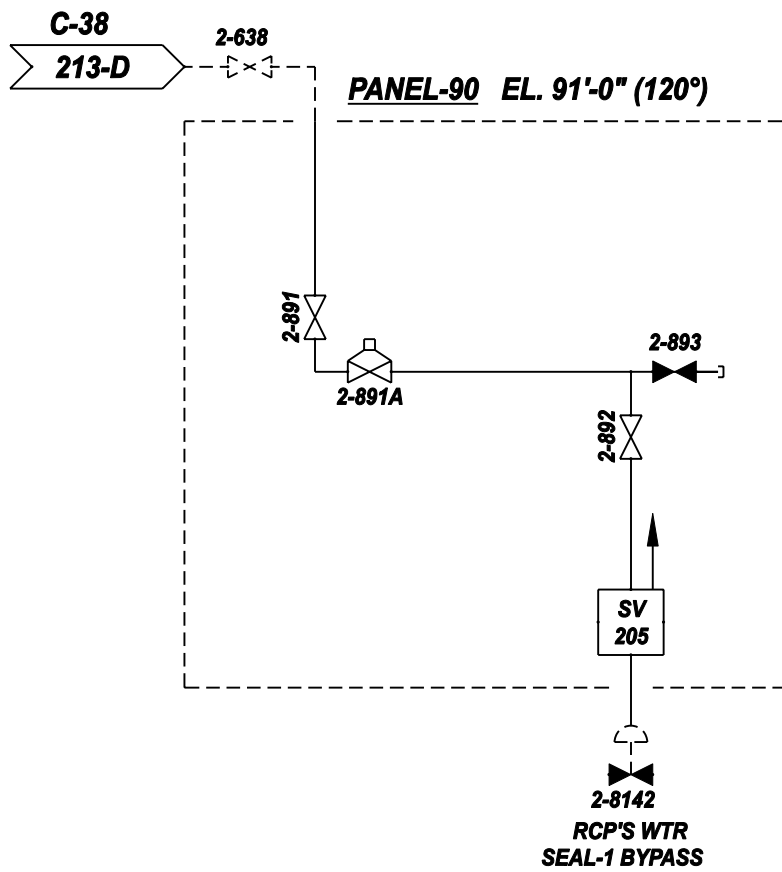
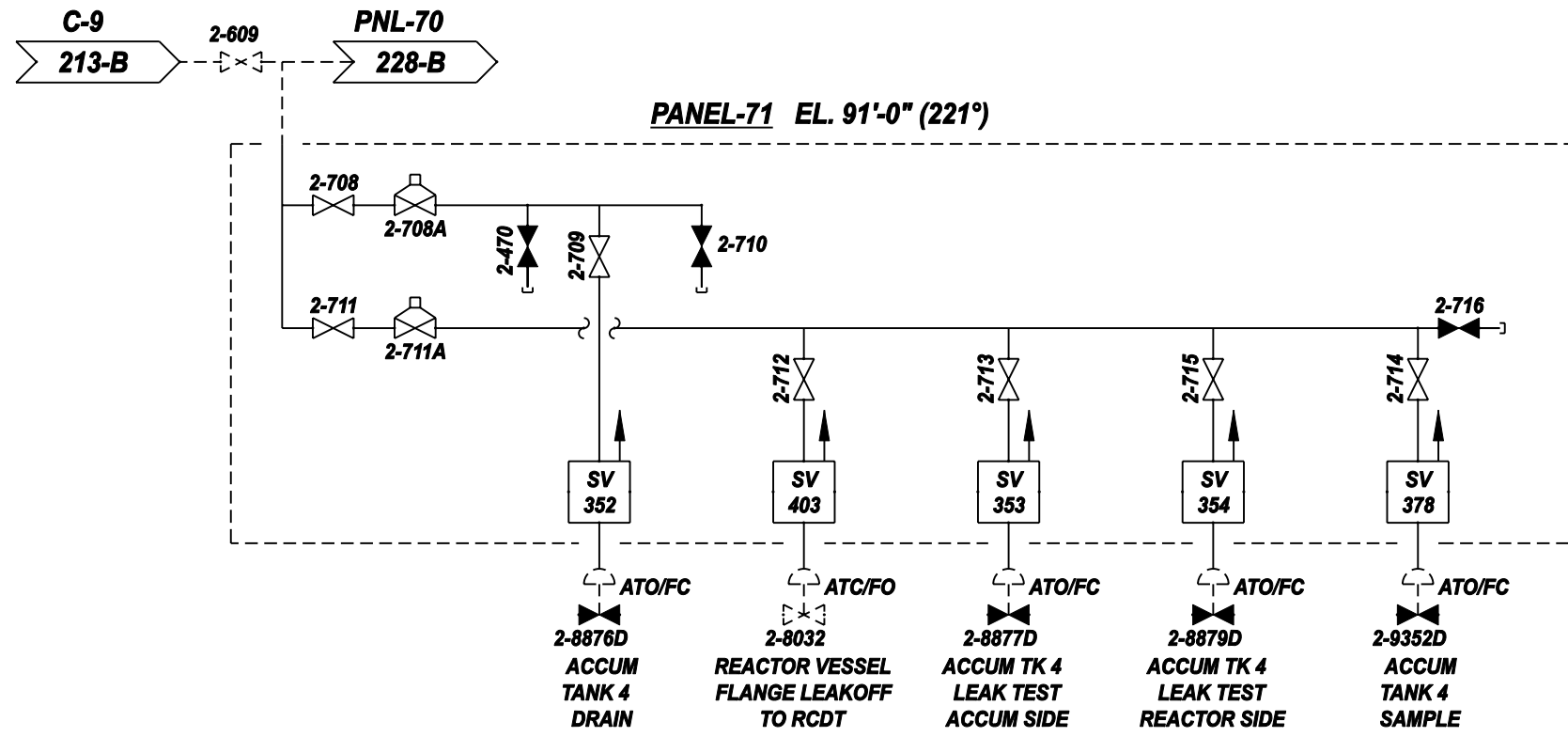
LR Note 1 These solenoid valves are safety related, but screened out because they are active. They do not have a pressure boundary function.

NOTES:
1. S.C.= SEALED CLOSE.
2. SEE SHTS 22 THRU 26 FOR DETAIL OF PANELS.

UNIT TWO

LR BOUNDARY DRAWING NO.	REV.
LR-DCPP-25-107725-21	0





LR Note 1 This solenoid valve is safety-related, but screened out because it is active. It does not have a pressure-boundary function.

LR BOUNDARY DRAWING NO.	REV.
LR-DCPP-25-107725-23	0

UNIT TWO

240

241

242

243

244

245

246

247

248

249

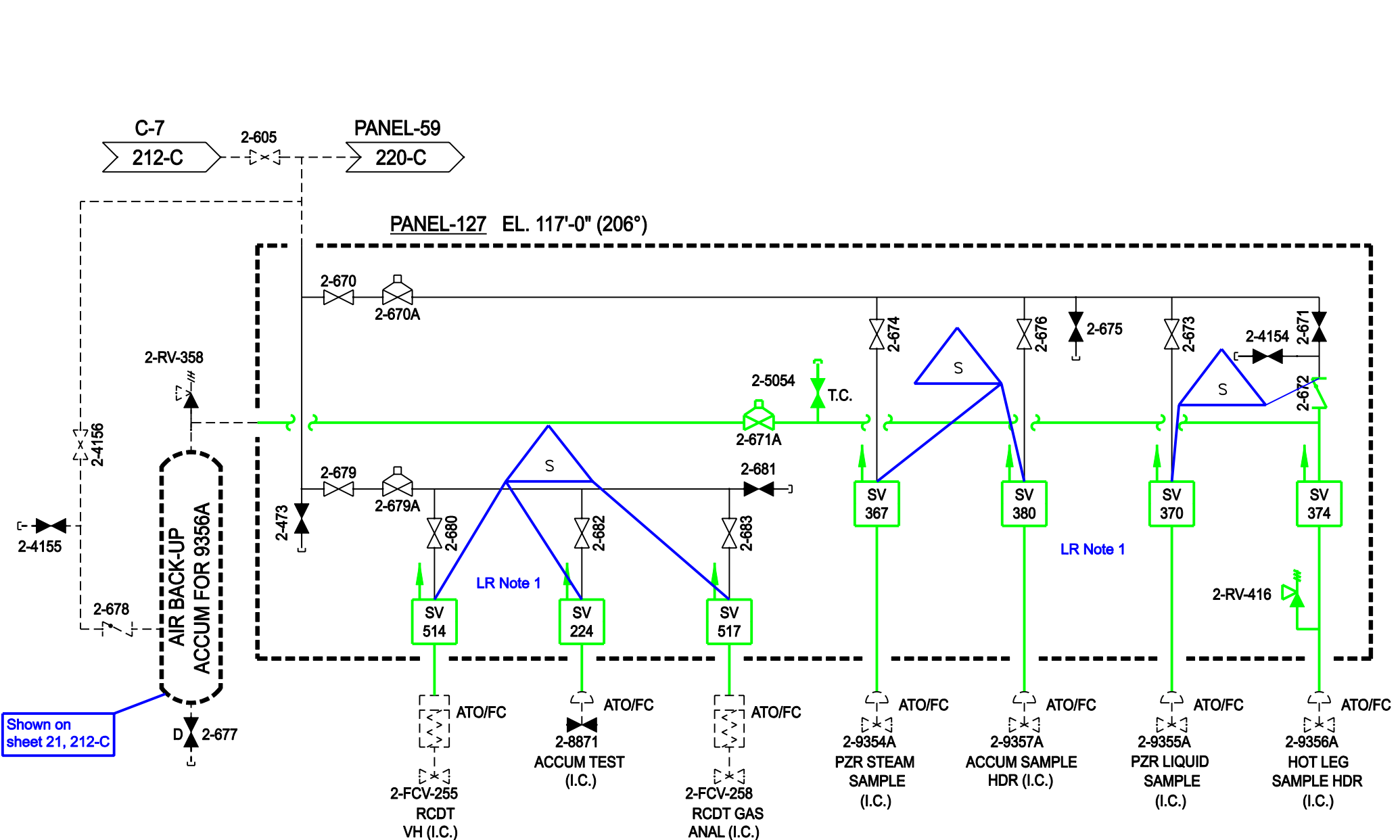
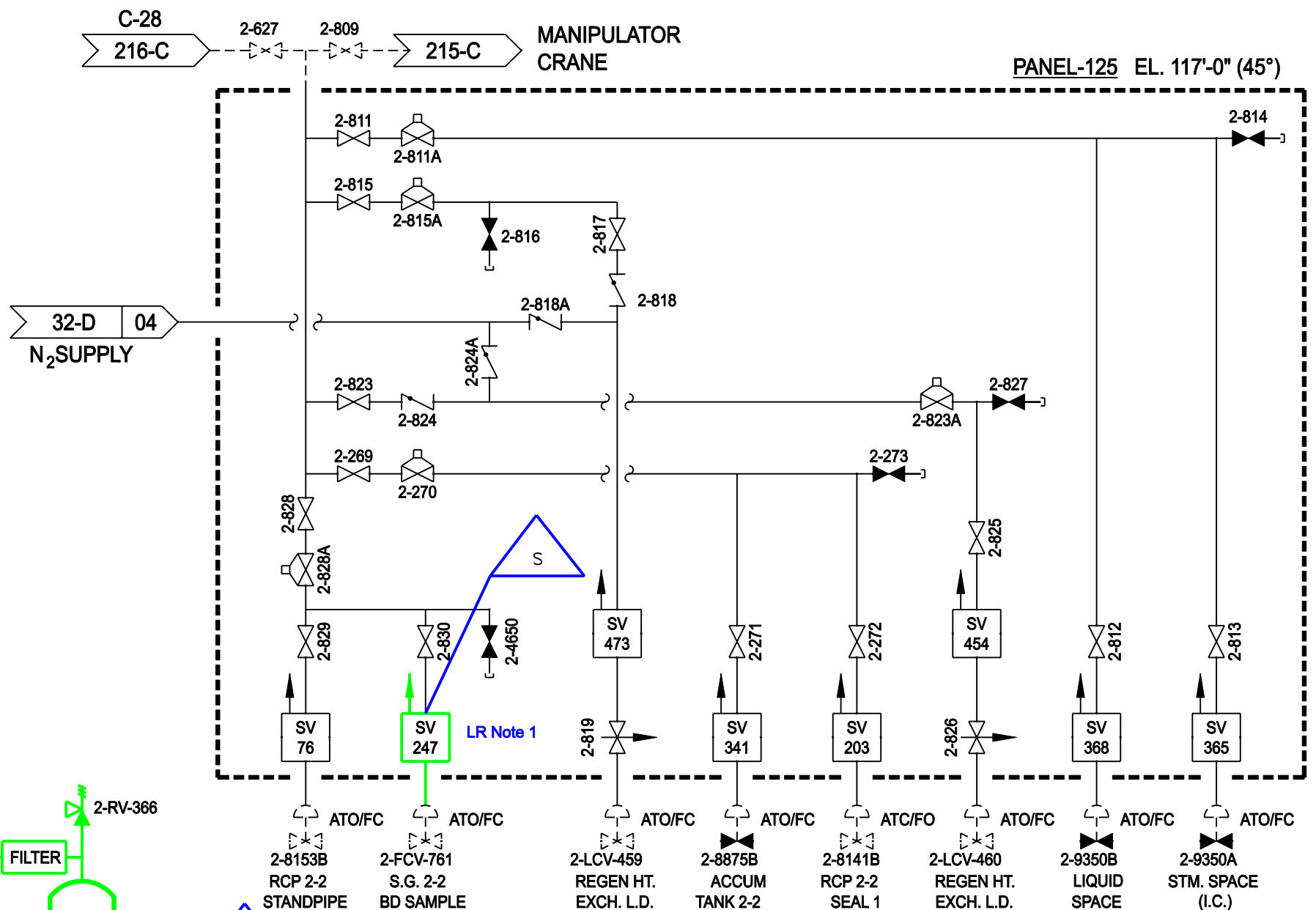
E

D

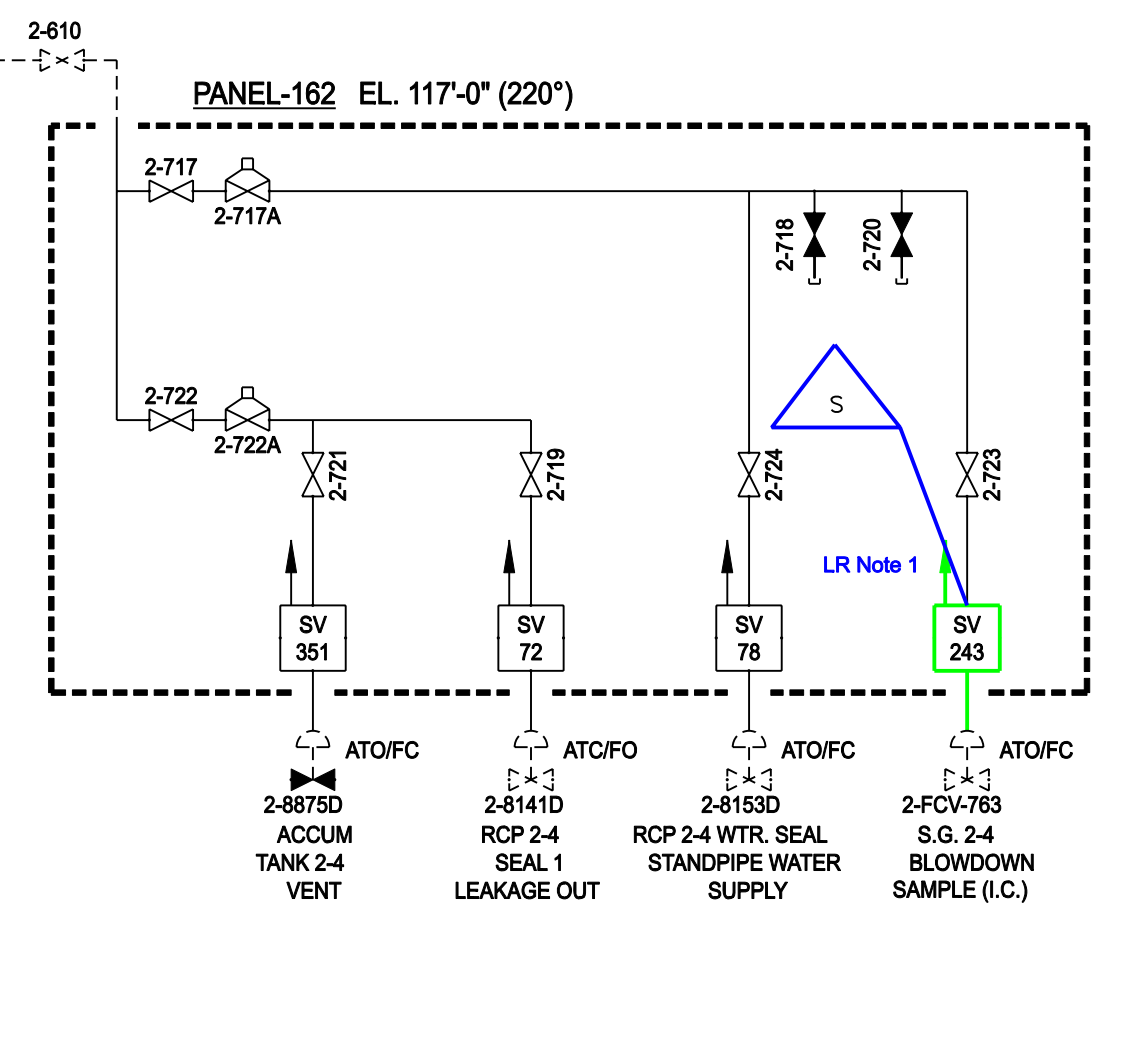
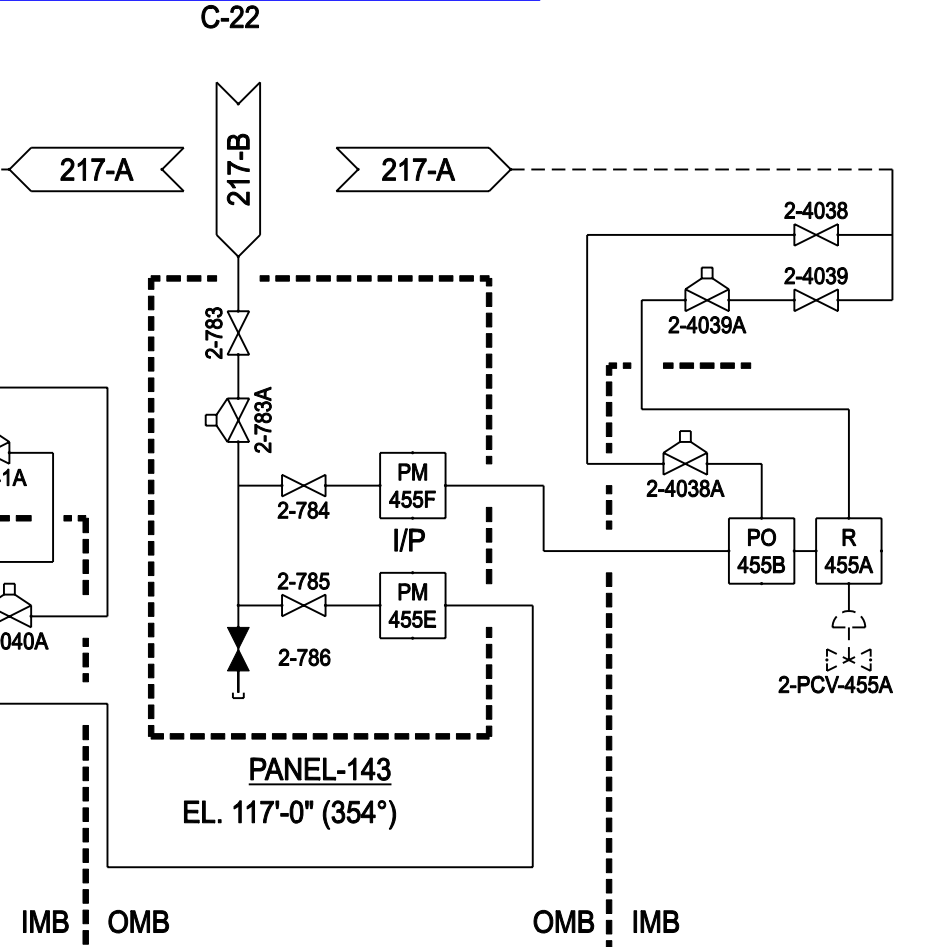
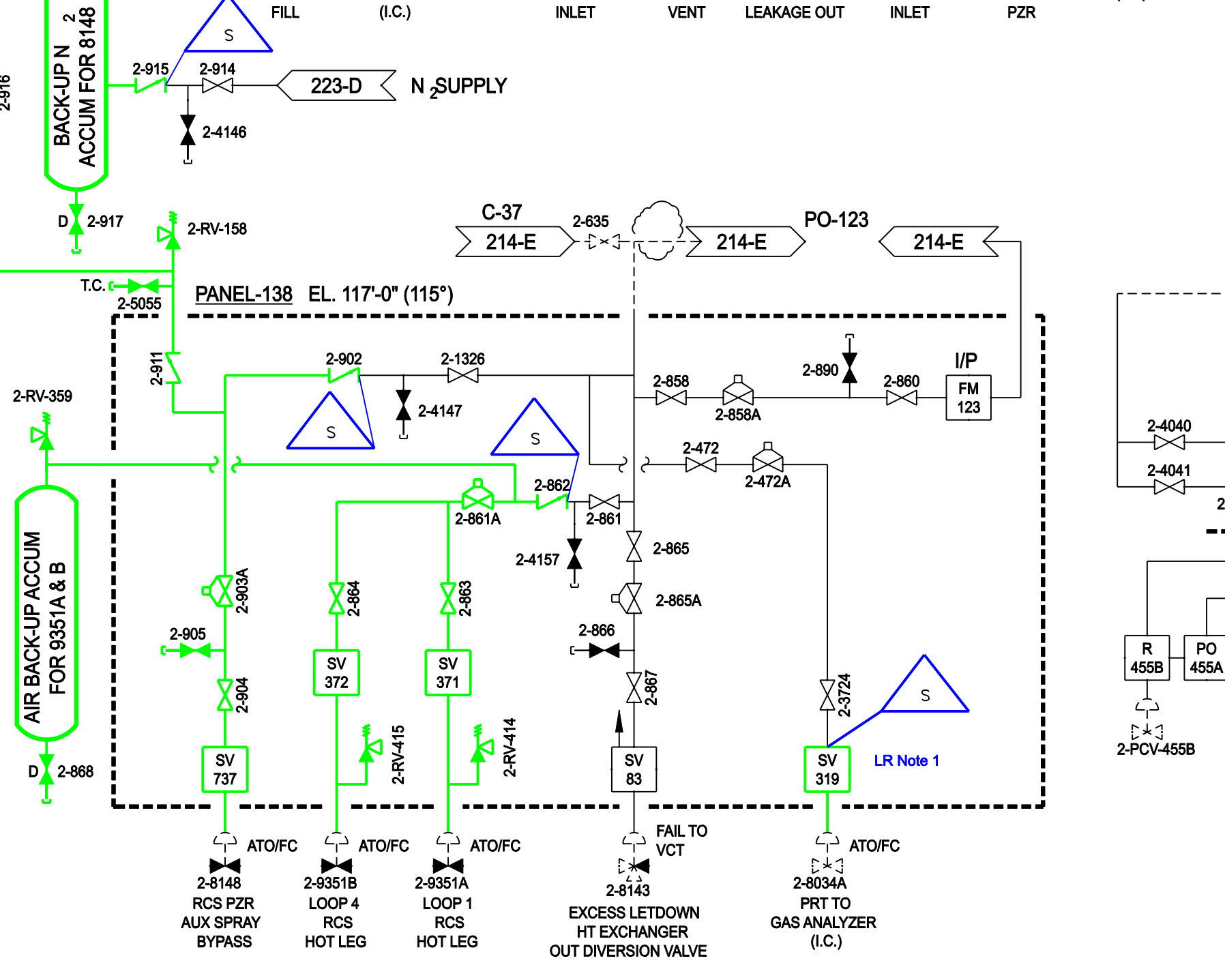
C

B

A

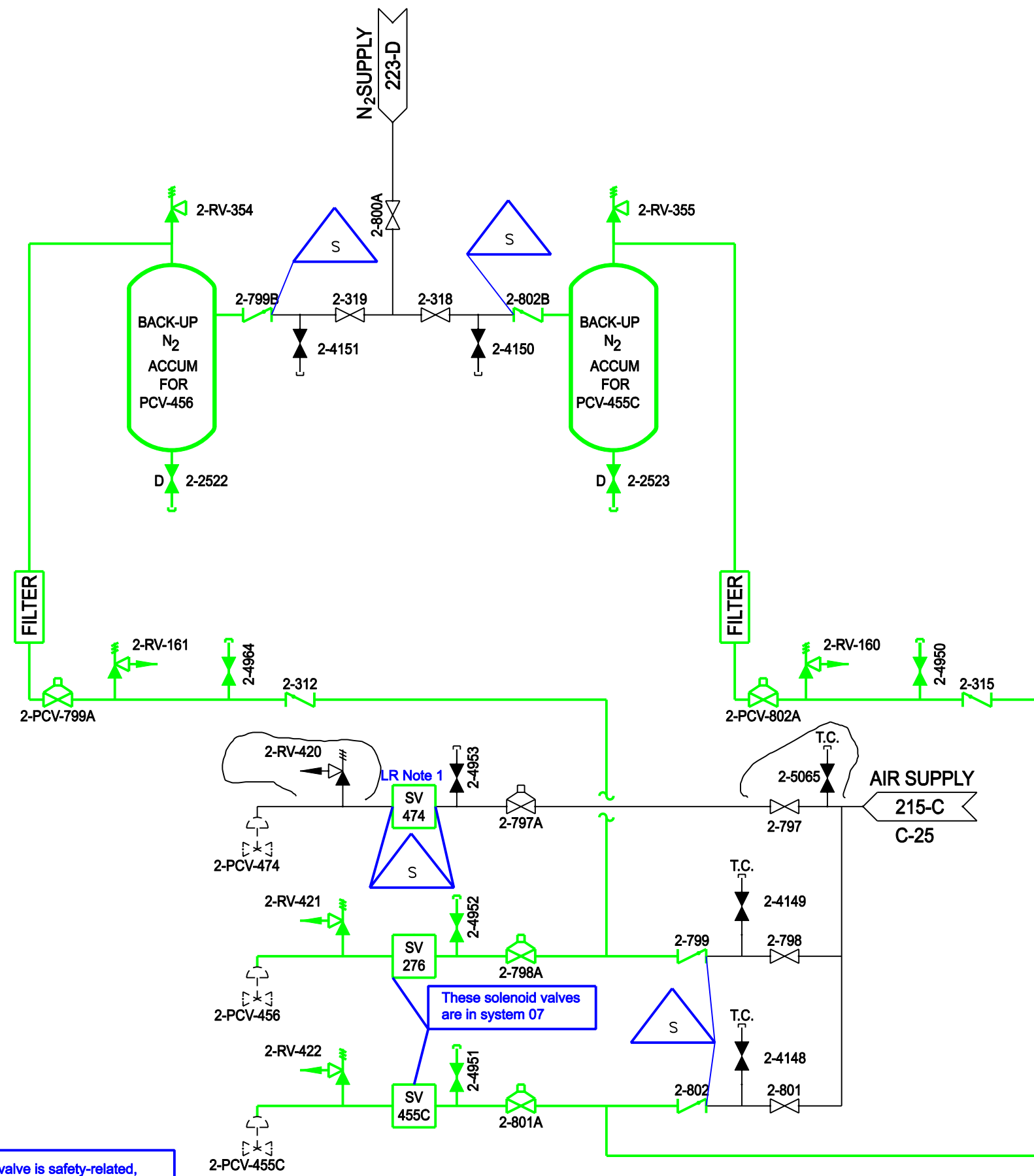


LR Note 1 These solenoid valves are safety-related, but screened out because they are active. They do not have a pressure-boundary function.



LR BOUNDARY DRAWING NO.	REV.
LR-DCPP-25-107725-24	0

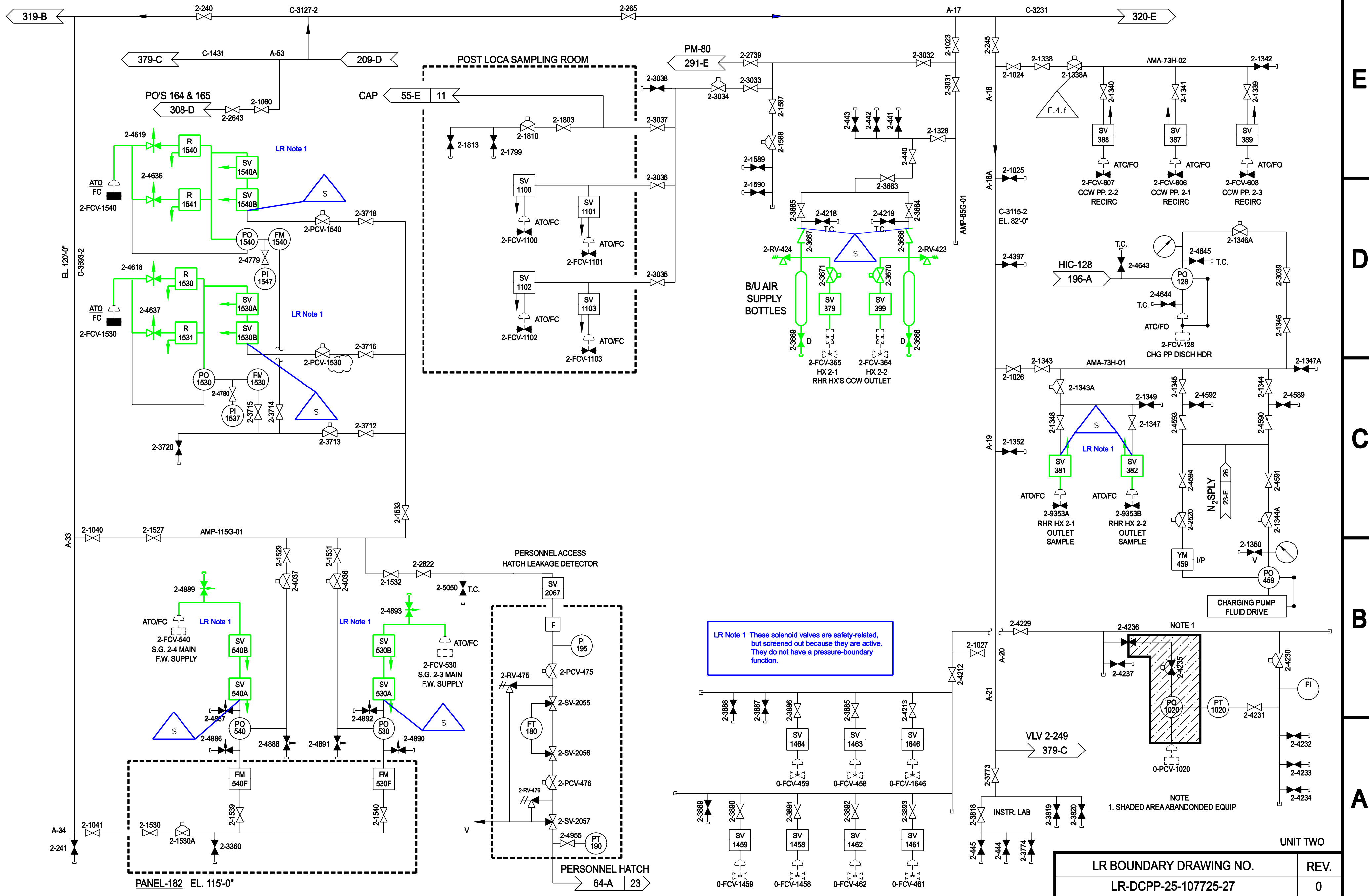
UNIT TWO



LR Note 1 This solenoid valve is safety-related, but screened out because it is active. It does not have a pressure-boundary function.

UNIT TWO

LR BOUNDARY DRAWING NO.	REV.
LR-DCPP-25-107725-26	0



LR BOUNDARY DRAWING NO.	REV.
LR-DCPP-25-107725-27	0

E
D
C
B
A

UNIT TWO

300

301

302

303

304

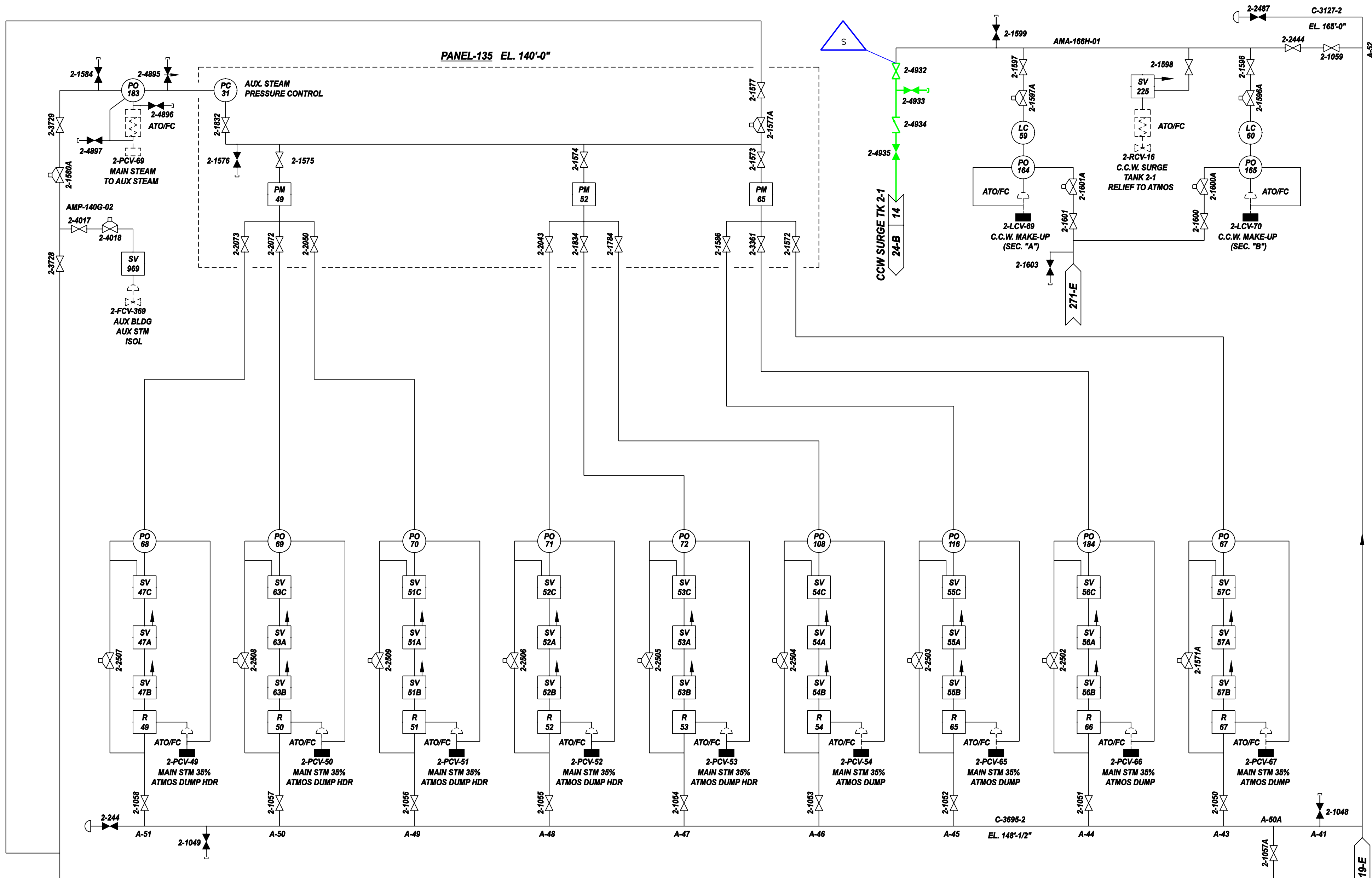
305

306

307

308

309



E

D

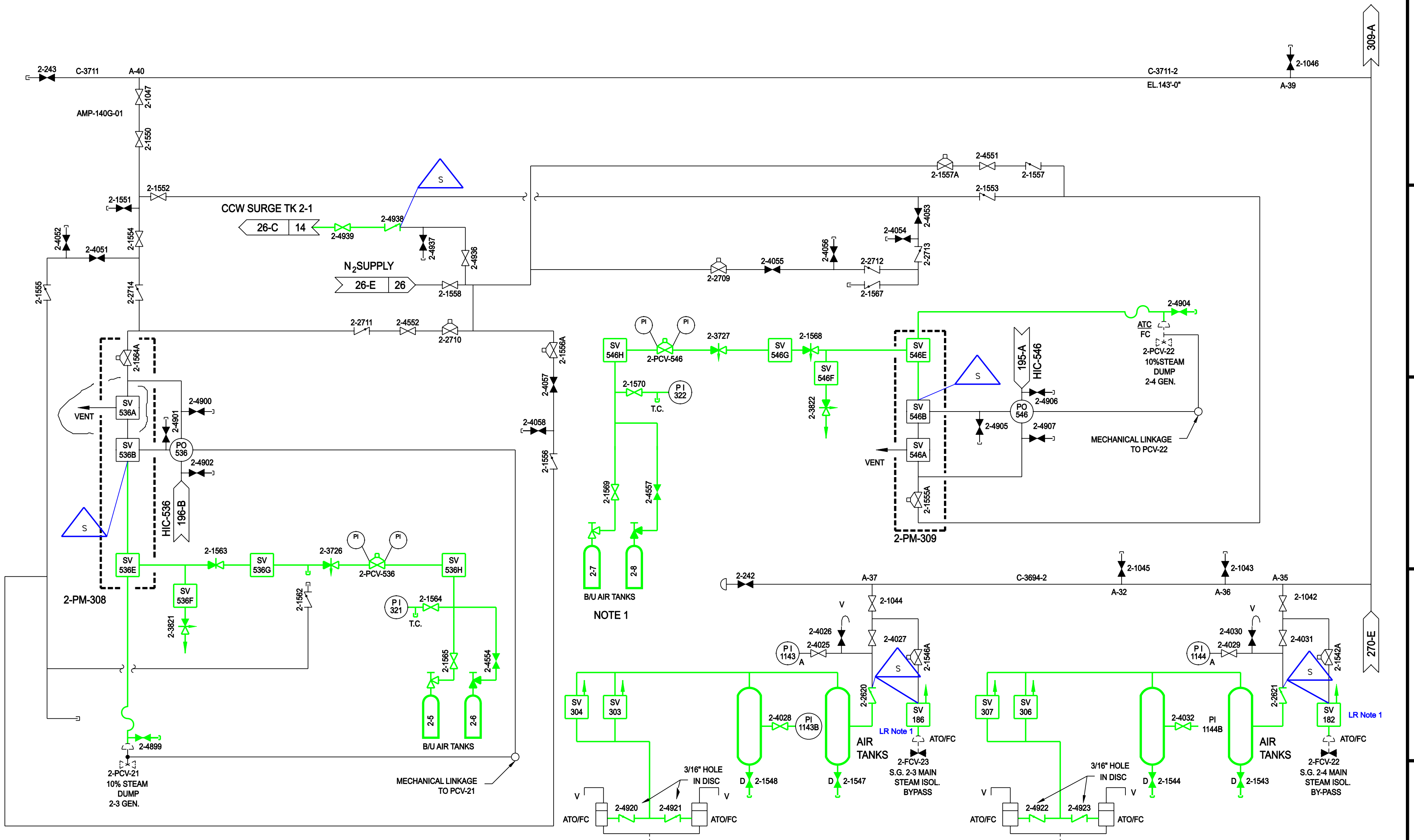
C

B

A

UNIT TWO

LR BOUNDARY DRAWING NO.	REV.
LR-DCPP-25-106725-30	0



NOTES:
 1. NORMAL OPERATION WITH ONLY ONE BOTTLE PER PCV VALVED IN, EITHER BOTTLE MAY BE VALVED IN AT ANY TIME.

LR Note 1 These solenoid valves are safety-related, but screened out because they are active. They do not have a pressure-boundary function.

NOTE 1

UNIT TWO

LR BOUNDARY DRAWING NO.	REV.
LR-DCPP-25-107725-31	0

330

331

332

333

334

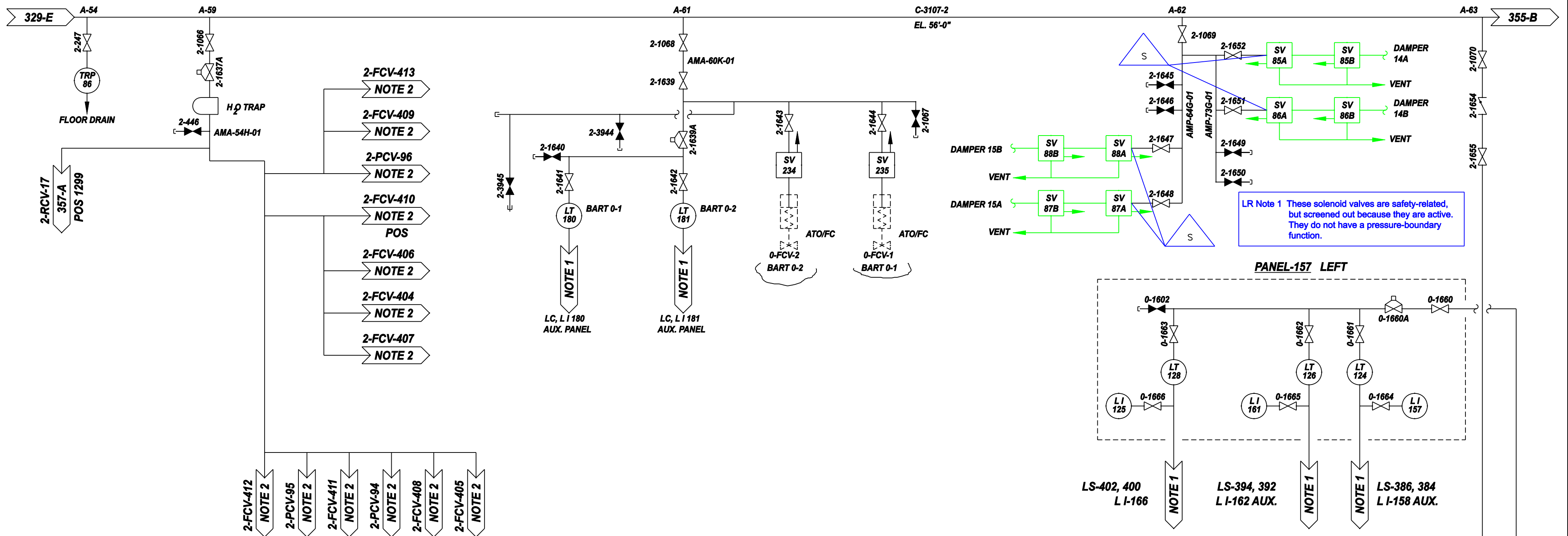
335

336

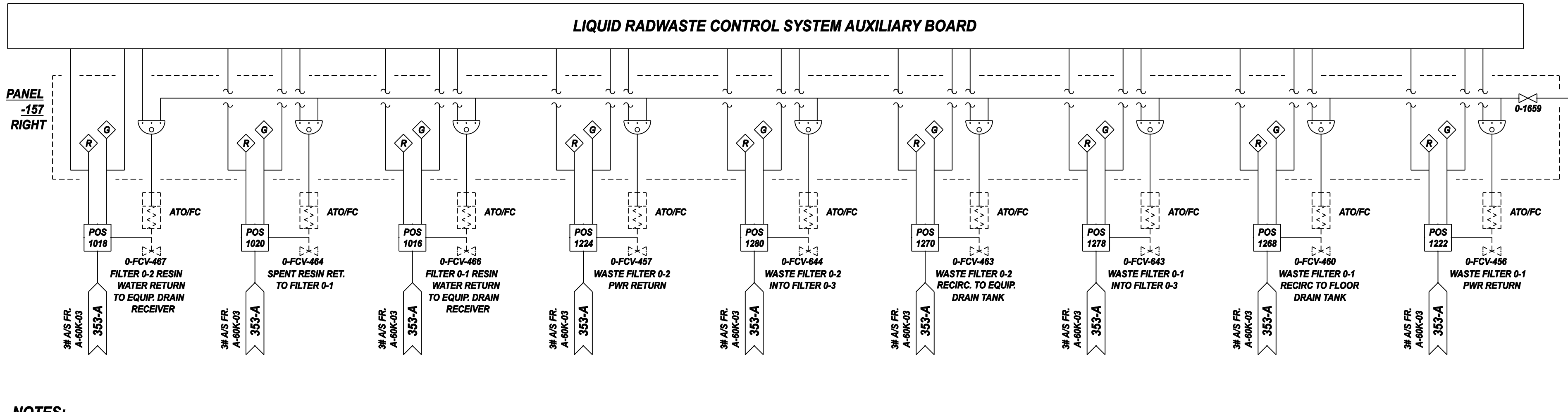
337

338

339



LIQUID RADWASTE CONTROL SYSTEM AUXILIARY BOARD

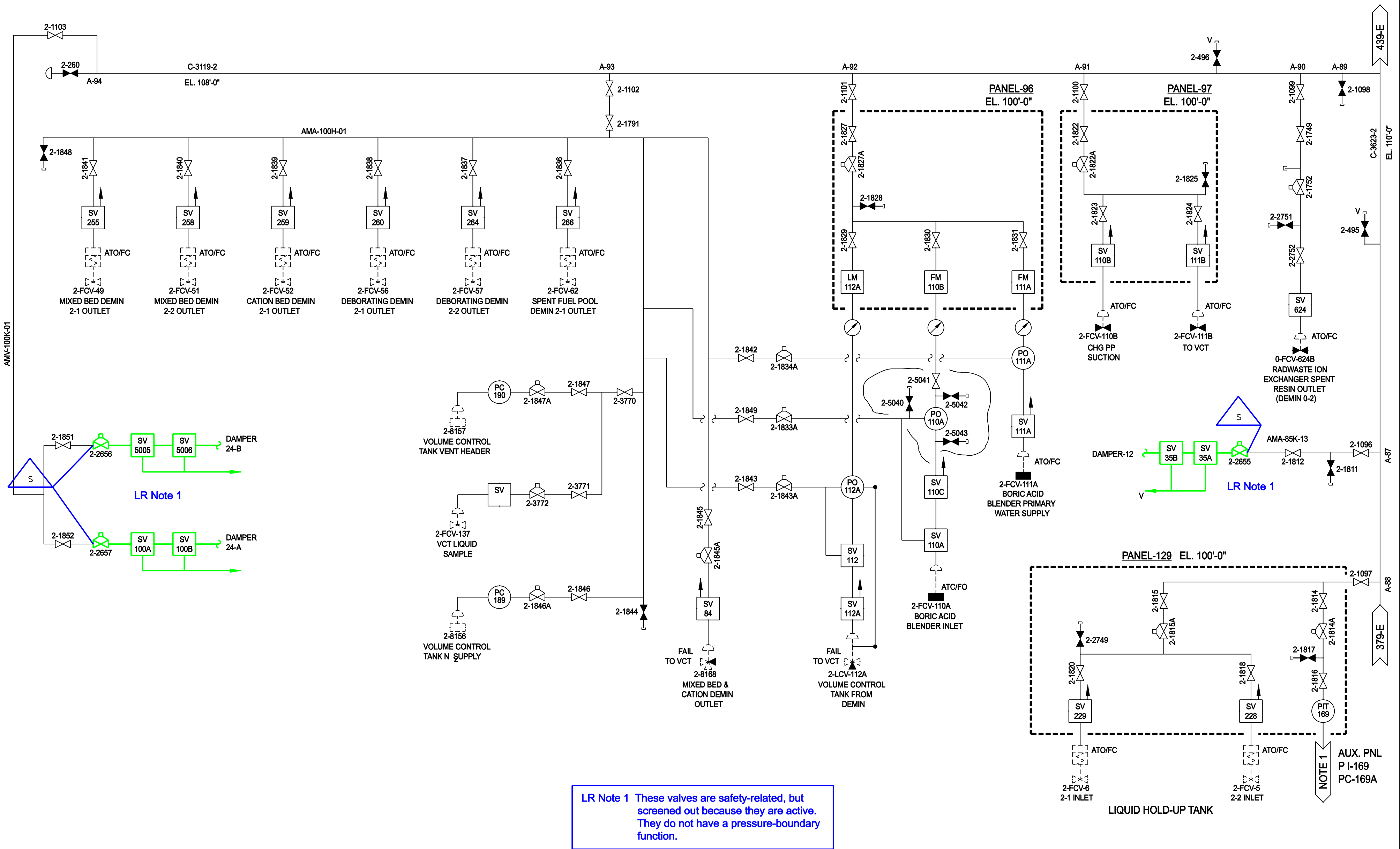


NOTES:

1. INSTRUMENTS LOCATED AT AUXILIARY CONTROL BOARD.
2. 3# A/S FOR POSITION SWITCHES (VALVES CONTROLLED FROM FLUIDIC LOGIC).

UNIT TWO

LR BOUNDARY DRAWING NO.	REV.
LR-DCPP-25-107725-33	0



LR Note 1 These valves are safety-related, but screened out because they are active. They do not have a pressure-boundary function.

NOTES:
1. INSTRUMENT LOCATED AT AUX. CONTROL BOARD

UNIT TWO	
LR BOUNDARY DRAWING NO.	REV.
LR-DCPP-25-107725-36	0

370

371

372

373

374

375

376

377

378

379

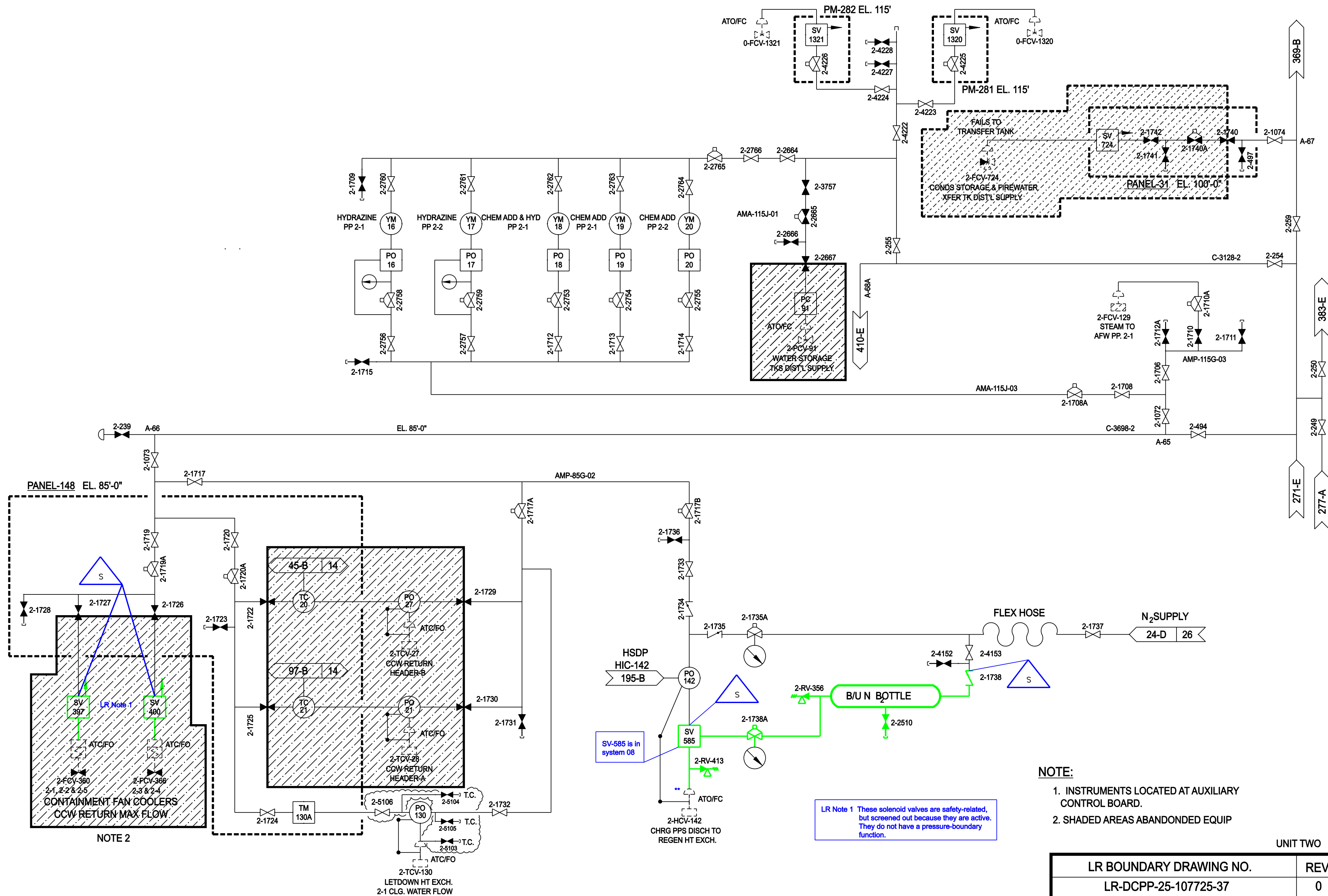
E

D

C

B

A



- NOTE:**
1. INSTRUMENTS LOCATED AT AUXILIARY CONTROL BOARD.
 2. SHADED AREAS ABANDONED EQUIP

LR Note 1 These solenoid valves are safety-related, but screened out because they are active. They do not have a pressure-boundary function.

UNIT TWO	
LR BOUNDARY DRAWING NO.	REV.
LR-DCPP-25-107725-37	0

390

391

392

393

394

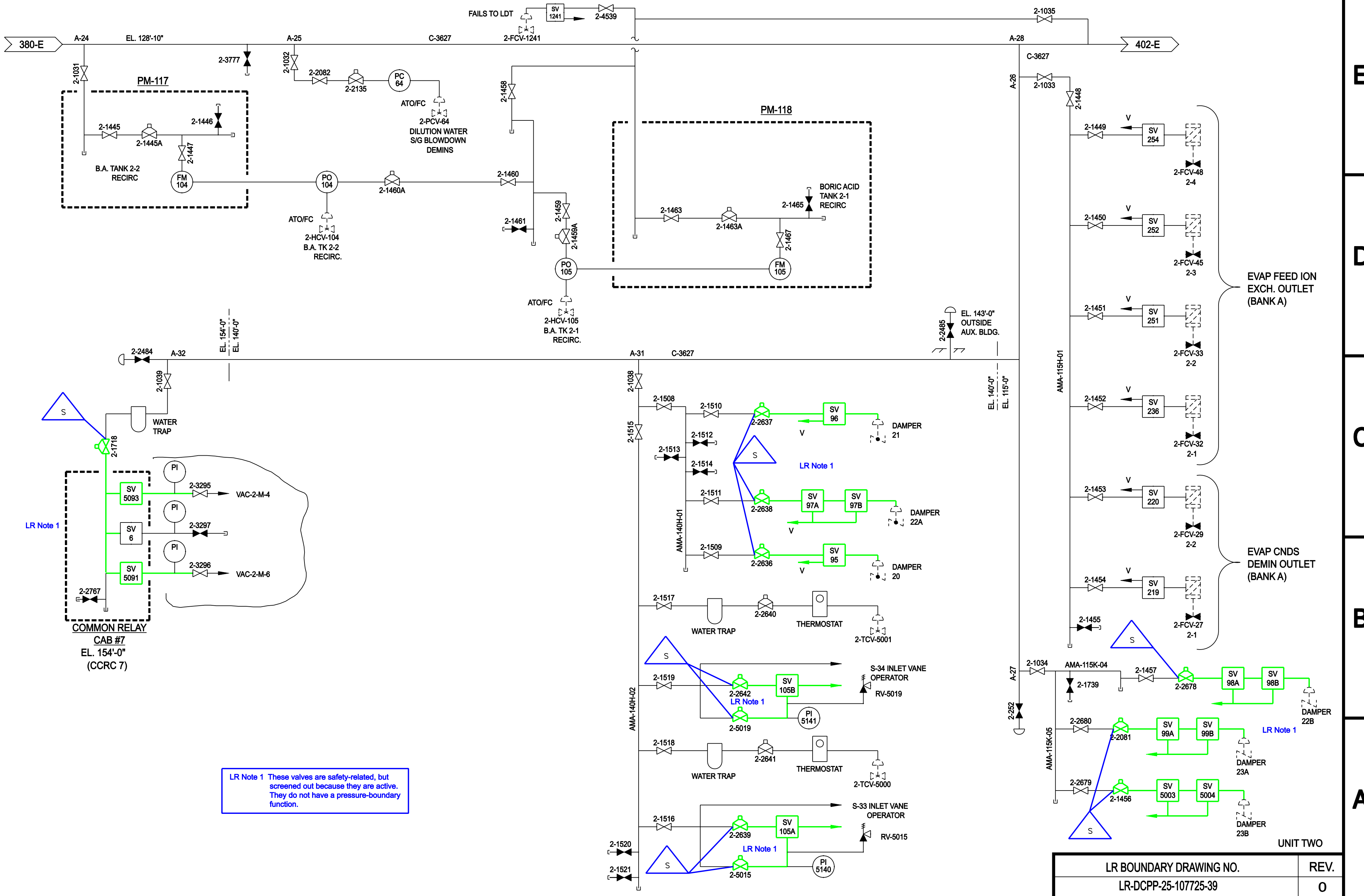
395

396

397

398

399

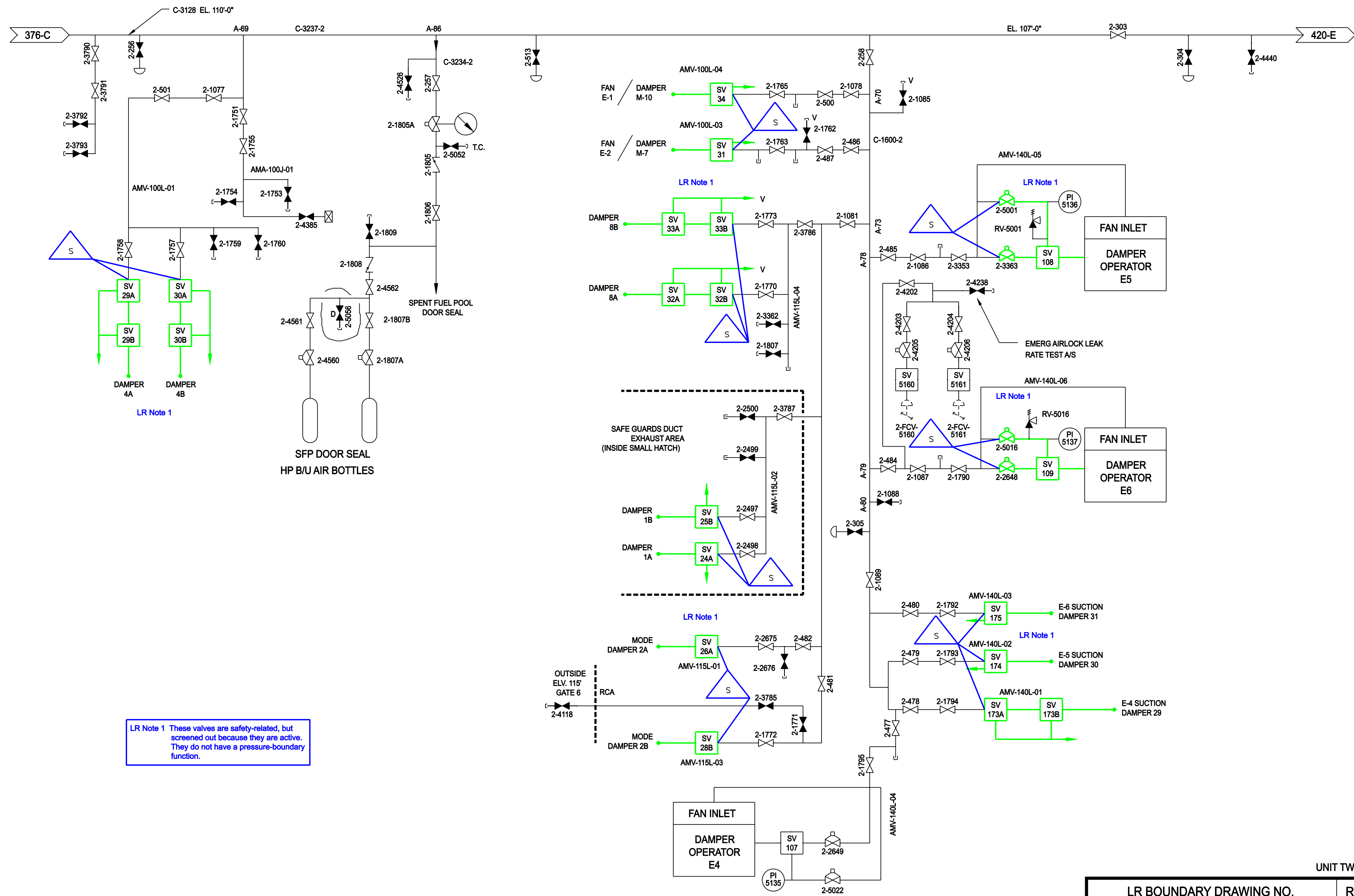


LR Note 1 These valves are safety-related, but screened out because they are active. They do not have a pressure-boundary function.

LR BOUNDARY DRAWING NO.	REV.
LR-DCPP-25-107725-39	0

E
D
C
B
A

UNIT TWO



LR Note 1 These valves are safety-related, but screened out because they are active. They do not have a pressure-boundary function.

UNIT TWO	
LR BOUNDARY DRAWING NO.	REV.
LR-DCPP-25-107725-41	0

420

421

422

423

424

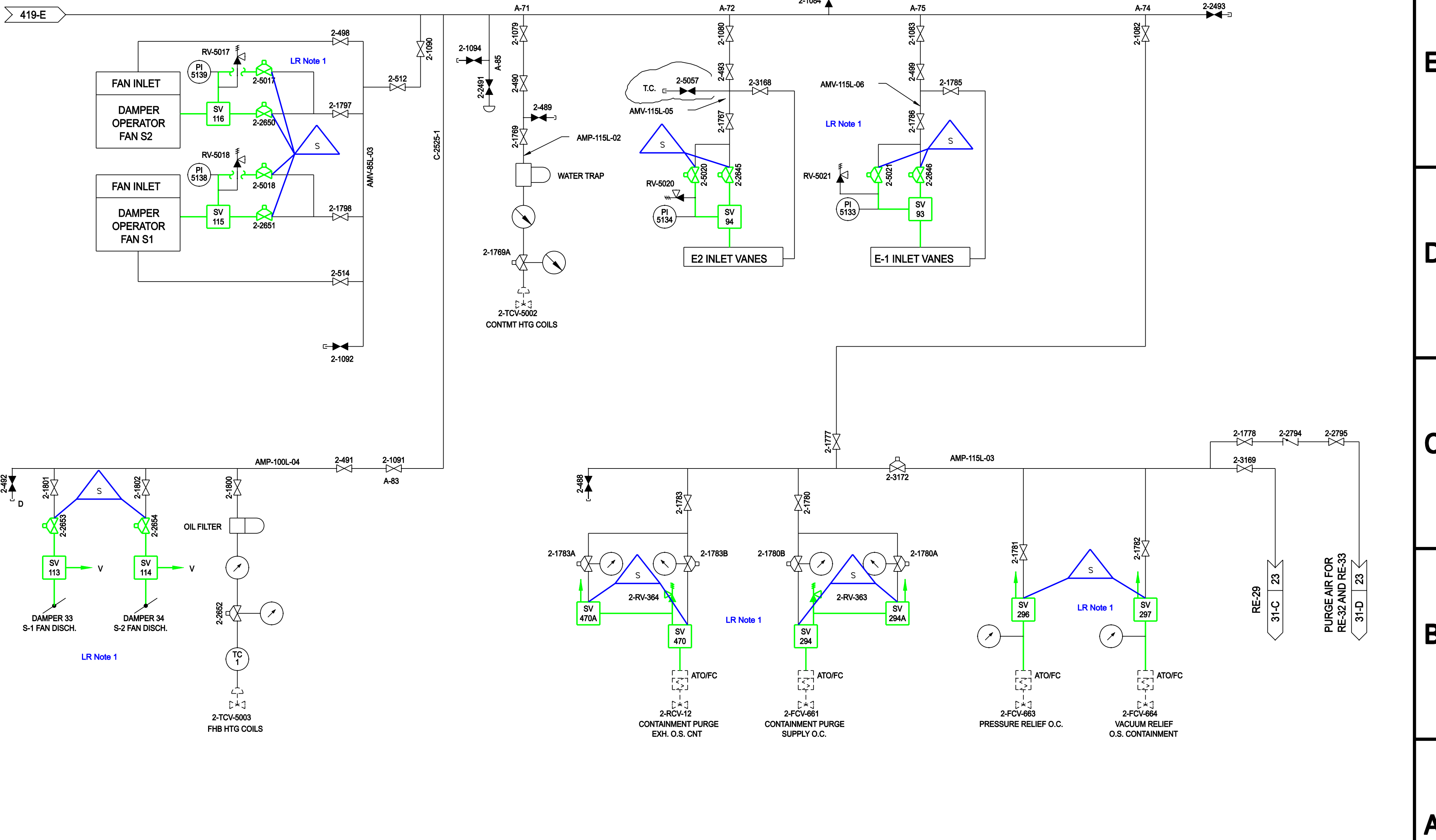
425

426

427

428

429



LR Note 1

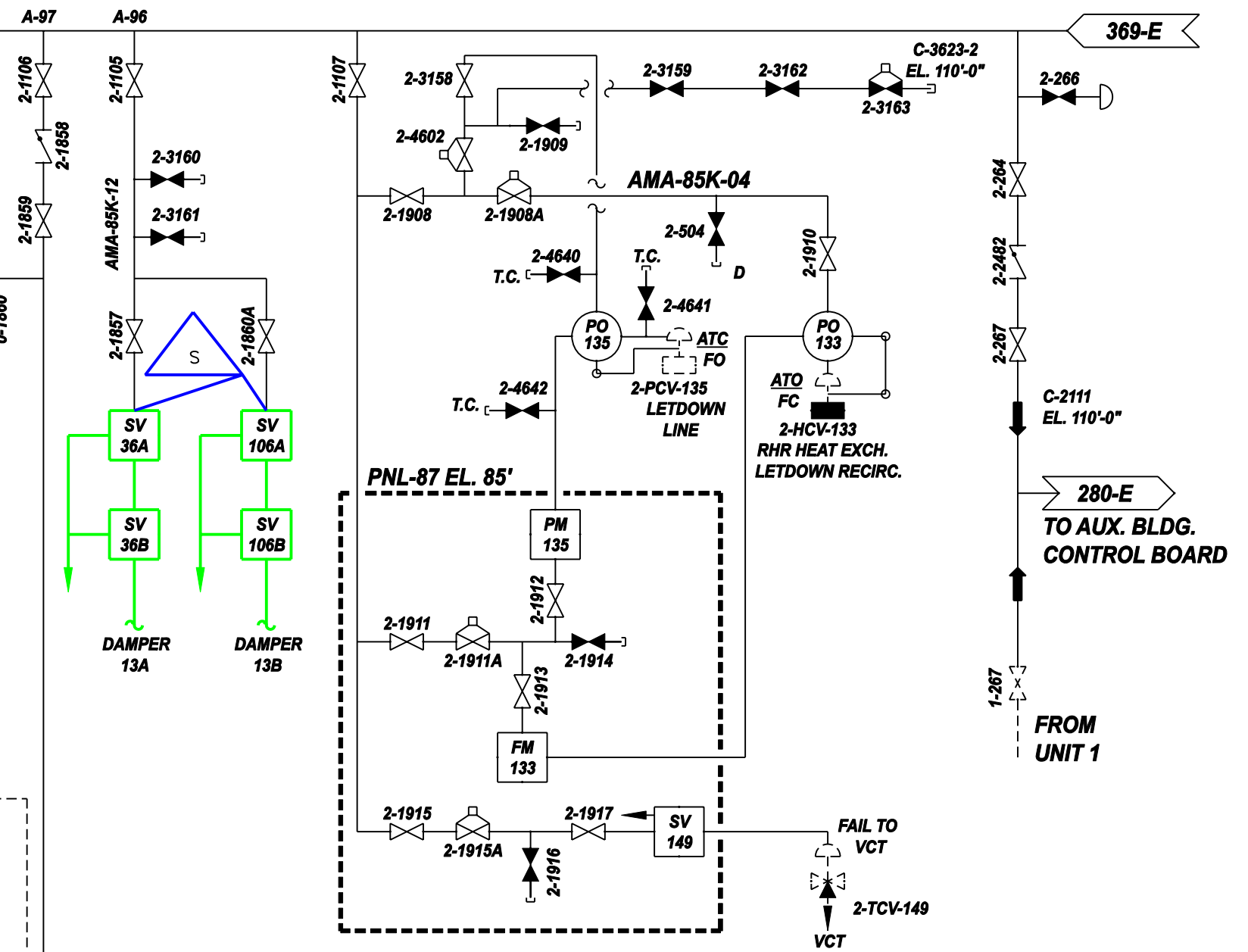
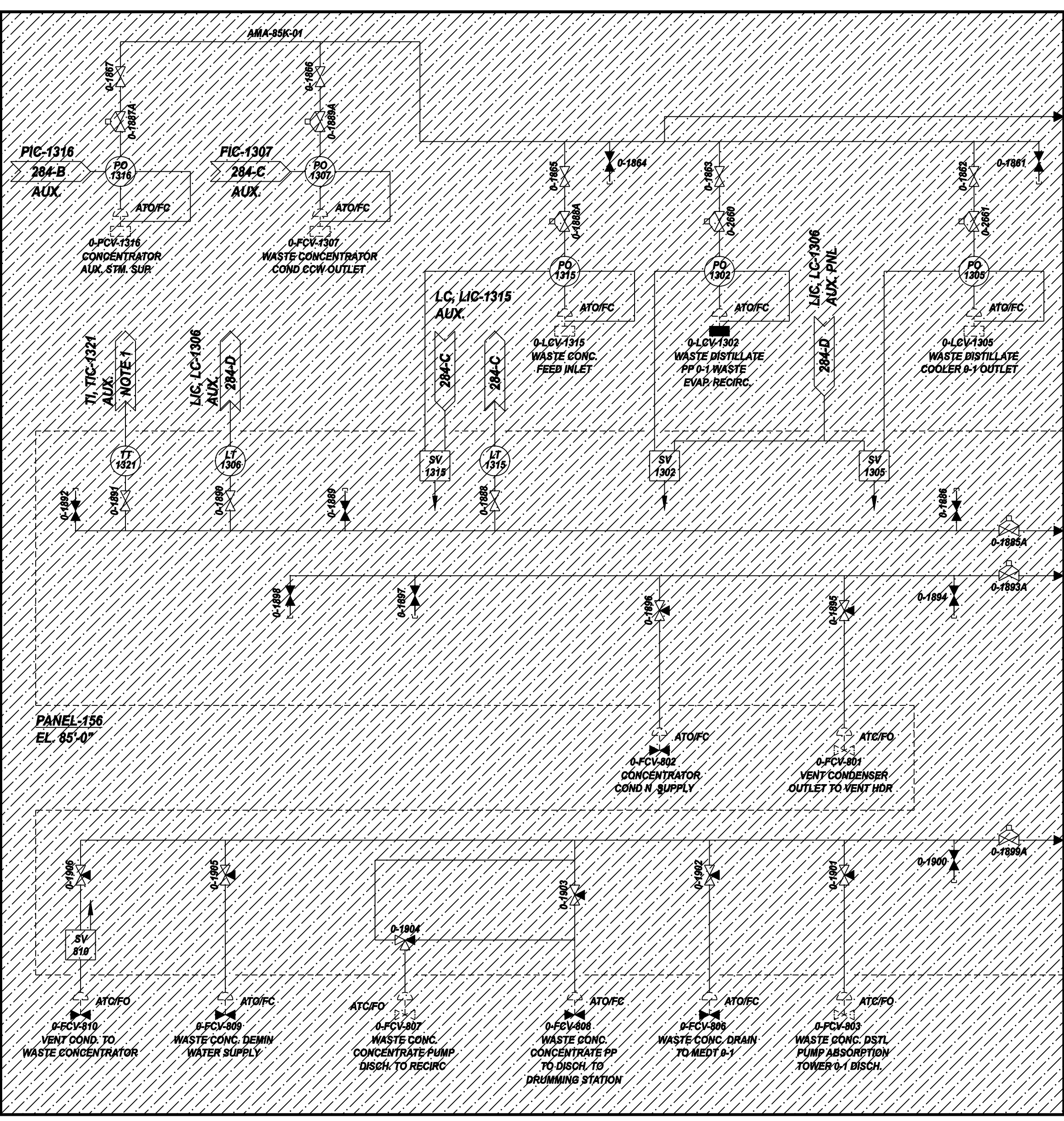
LR Note 1

LR Note 1

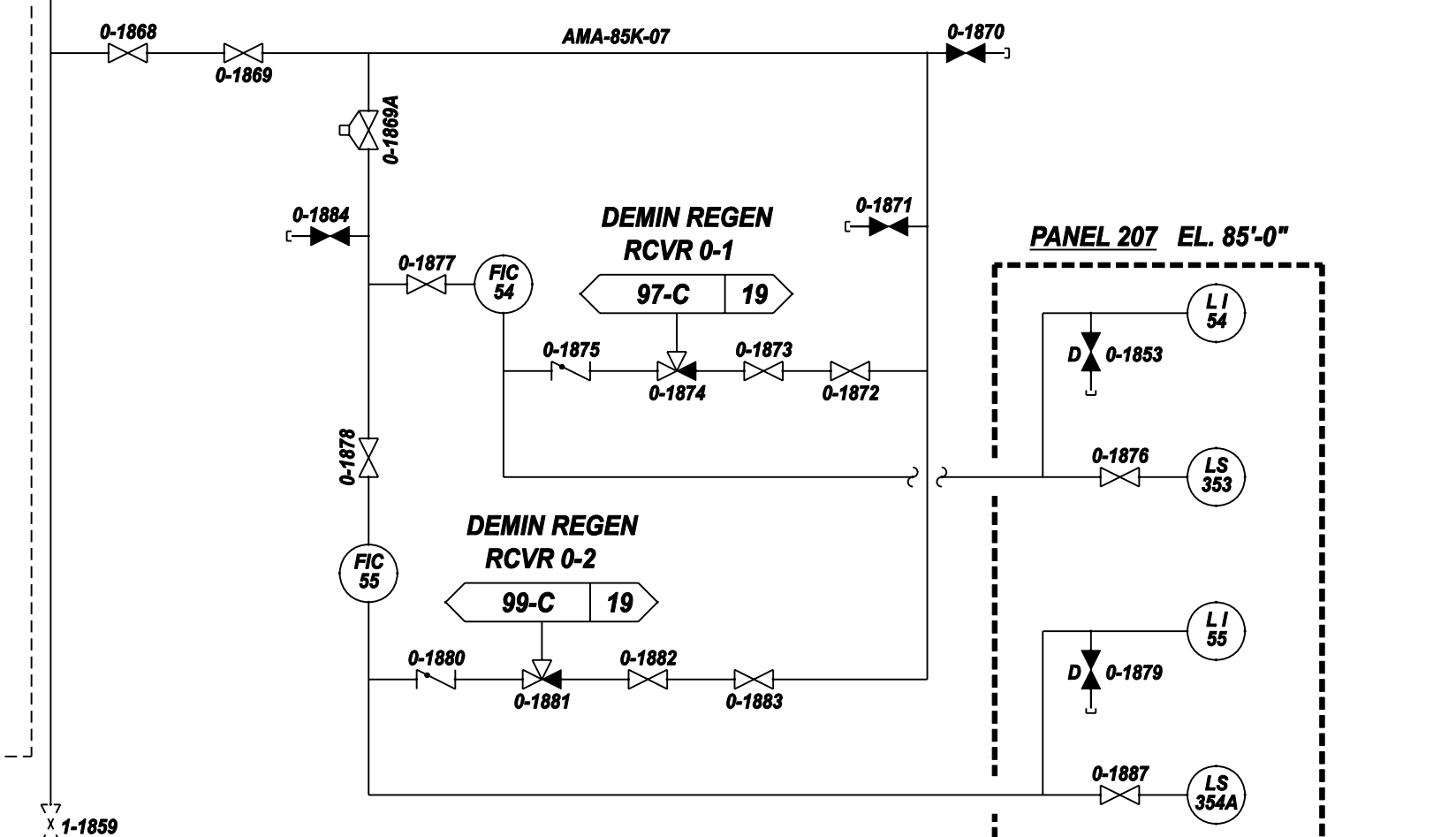
LR Note 1 These valves are safety-related, but screened out because they are active. They do not have a pressure-boundary function.

UNIT TWO	
LR BOUNDARY DRAWING NO.	REV.
LR-DCPP-25-107725-42	0

443-E ← C-3624-2 EL. 93'-0" A-97 A-96 369-E



LR Note 1 These solenoid valves are safety-related, but screened out because they are active. They have no pressure-boundary function.

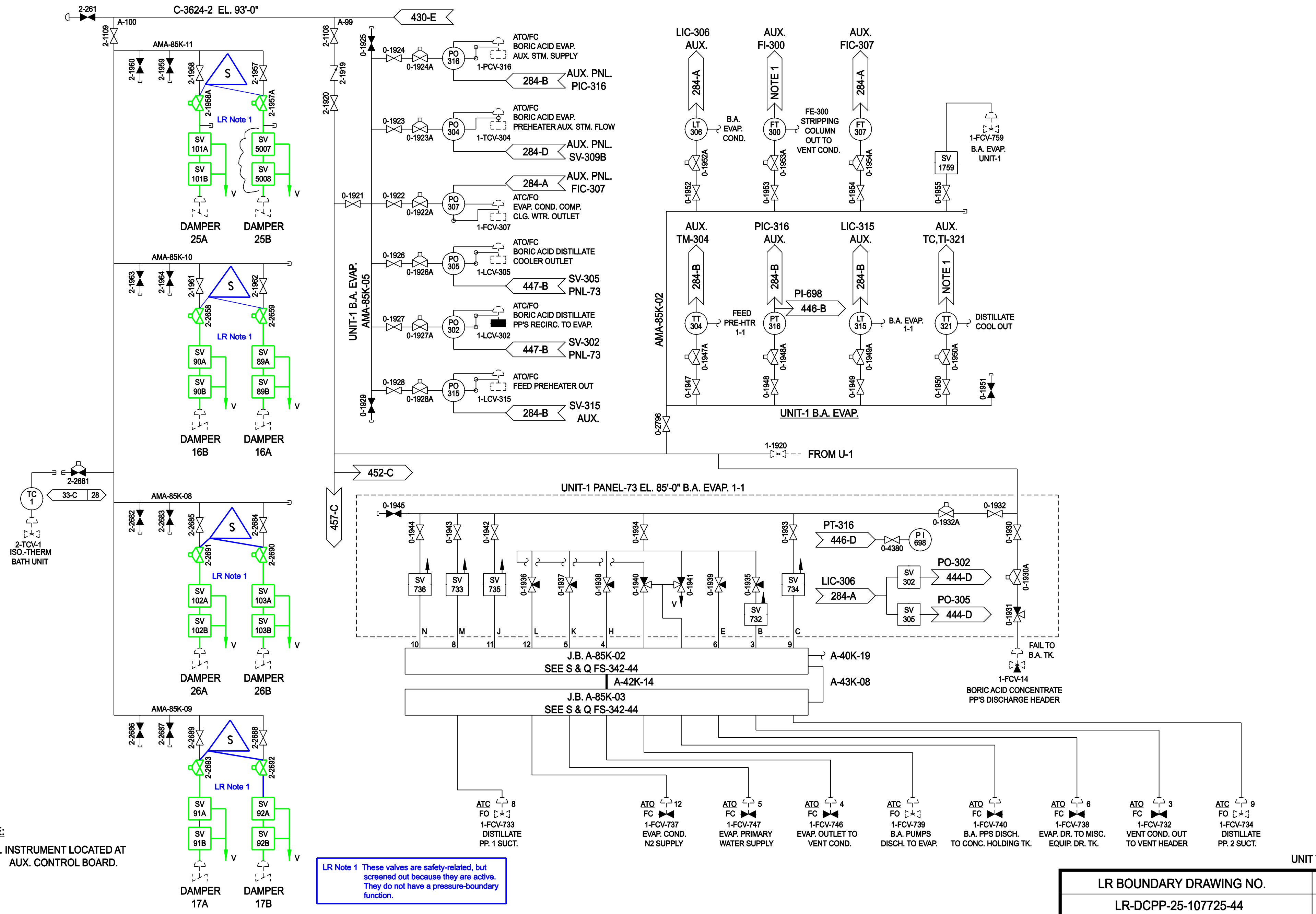


- NOTE:**
1. INSTRUMENTS LOCATED AT AUX. CONTROL BOARD.
 2. SHADED AREAS ABANDONED EQUIP.

LR BOUNDARY DRAWING NO.	REV.
LR-DCPP-25-107725-43	0

E
D
C
B
A

UNIT TWO



NOTE:
1. INSTRUMENT LOCATED AT AUX. CONTROL BOARD.

LR Note 1 These valves are safety-related, but screened out because they are active. They do not have a pressure-boundary function.

LR BOUNDARY DRAWING NO.	REV.
LR-DCPP-25-107725-44	0

UNIT TWO

500

501

502

503

504

505

506

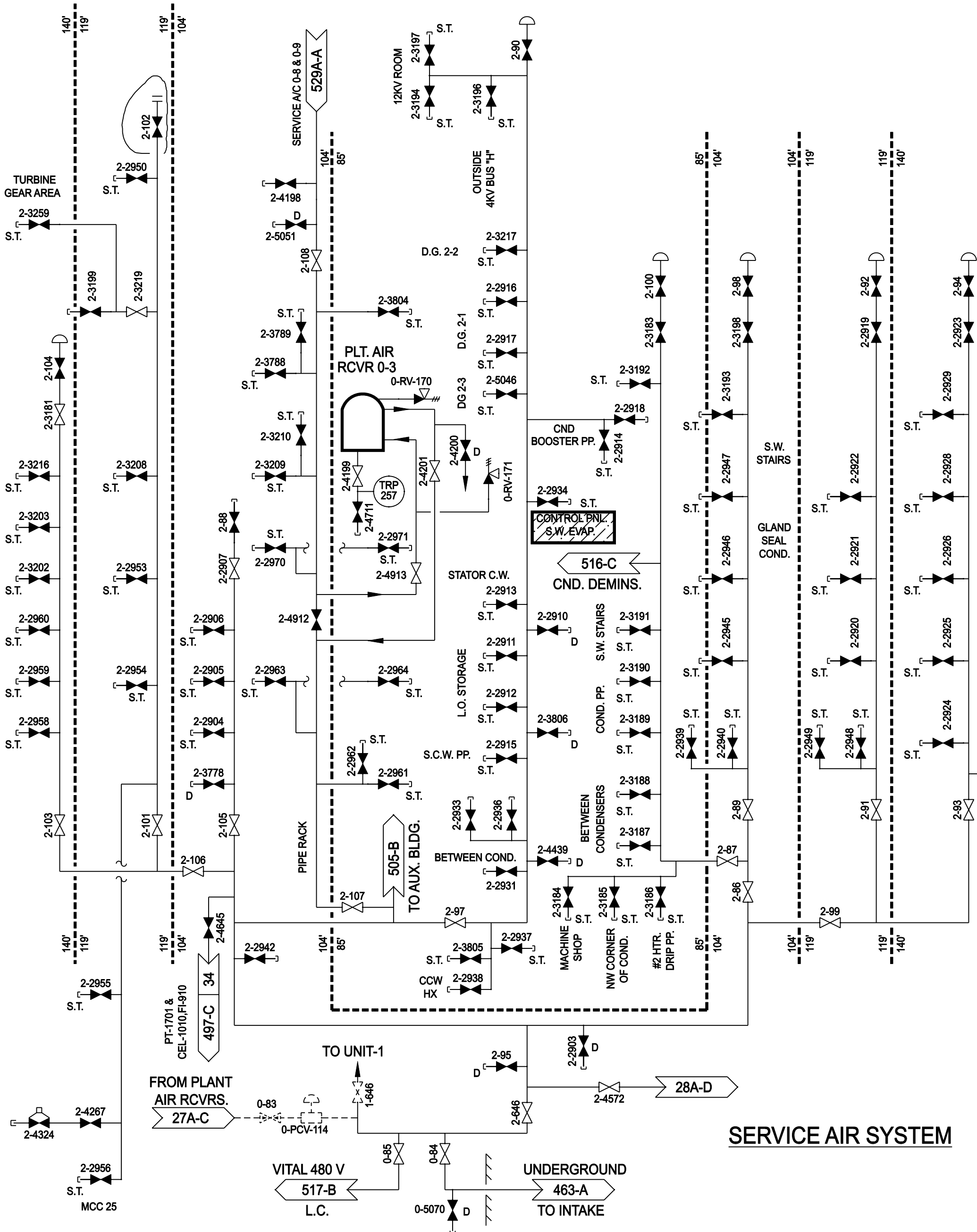
507

508

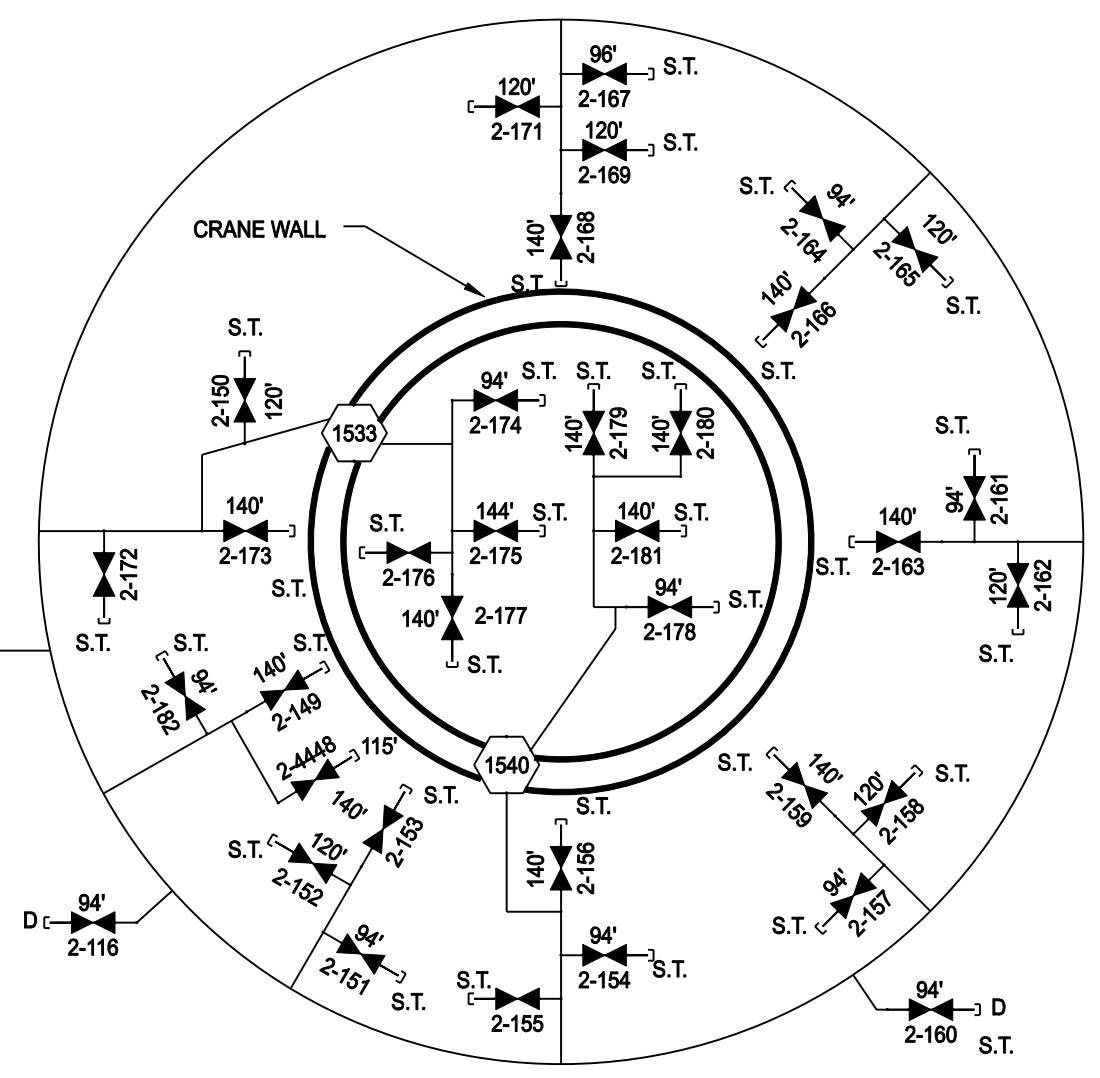
509

EAST TURBINE BUILDING

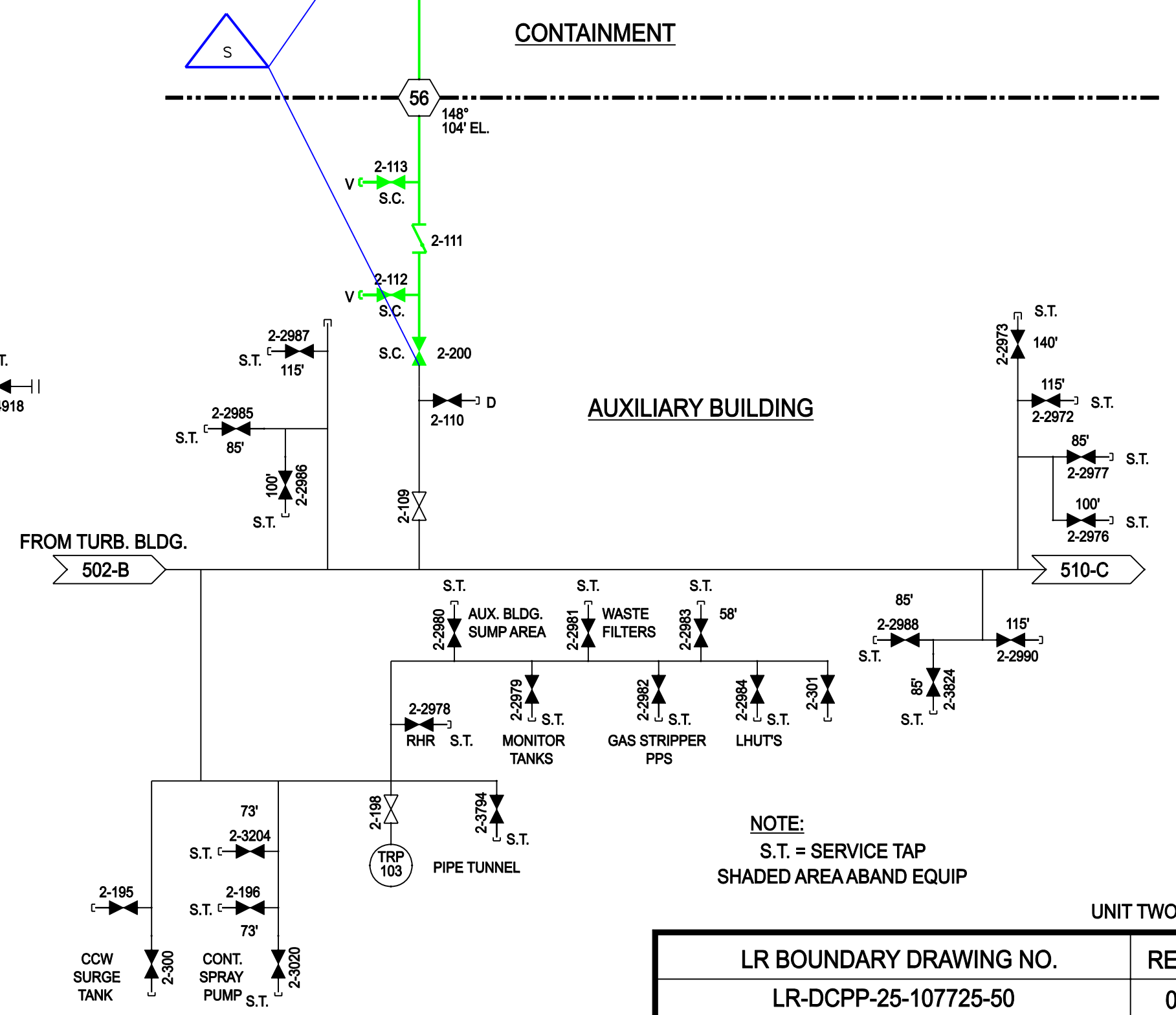
WEST TURBINE BUILDING



SERVICE AIR SYSTEM



CONTAINMENT

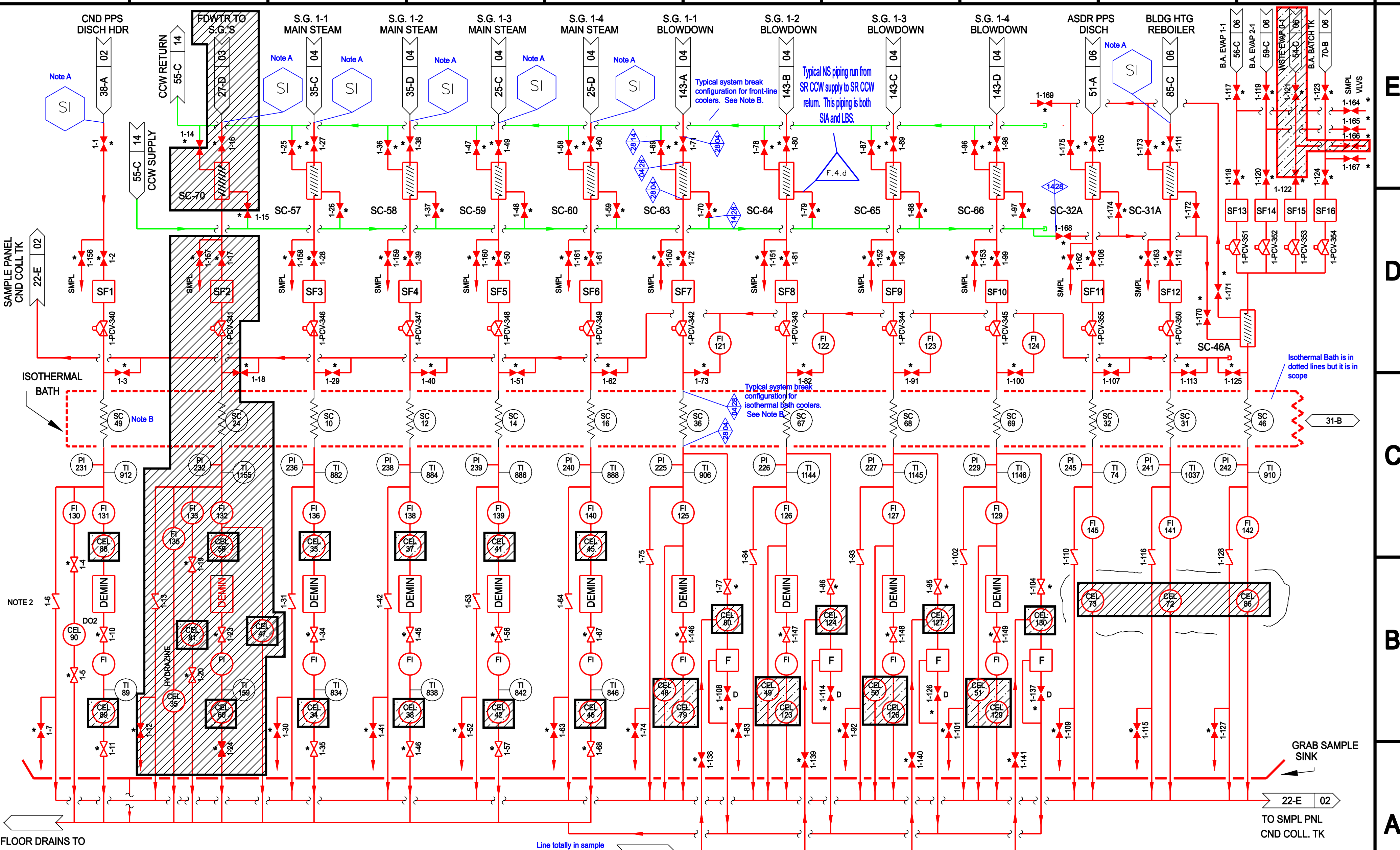


AUXILIARY BUILDING

NOTE:
S.T. = SERVICE TAP
SHADED AREA ABAND EQUIP

UNIT TWO	
LR BOUNDARY DRAWING NO.	REV.
LR-DCPP-25-107725-50	0

E
D
C
B
A



- NOTES:**
1. ALL FI'S HAVE BUILT IN FLOW CONTROL VALVES
 2. CHECK VALVES ARE SPRING LOADED AND OPEN AT 5 PSIG
 3. SHADED AREAS ABANDONED EQUIPMENT

Line totally in sample room but no longer used

SECONDARY SAMPLING SYSTEM - AUX. BLDG.

Note A Piping leaves Auxiliary Building (where it is in scope) to Turbine Building (where it is not in scope)

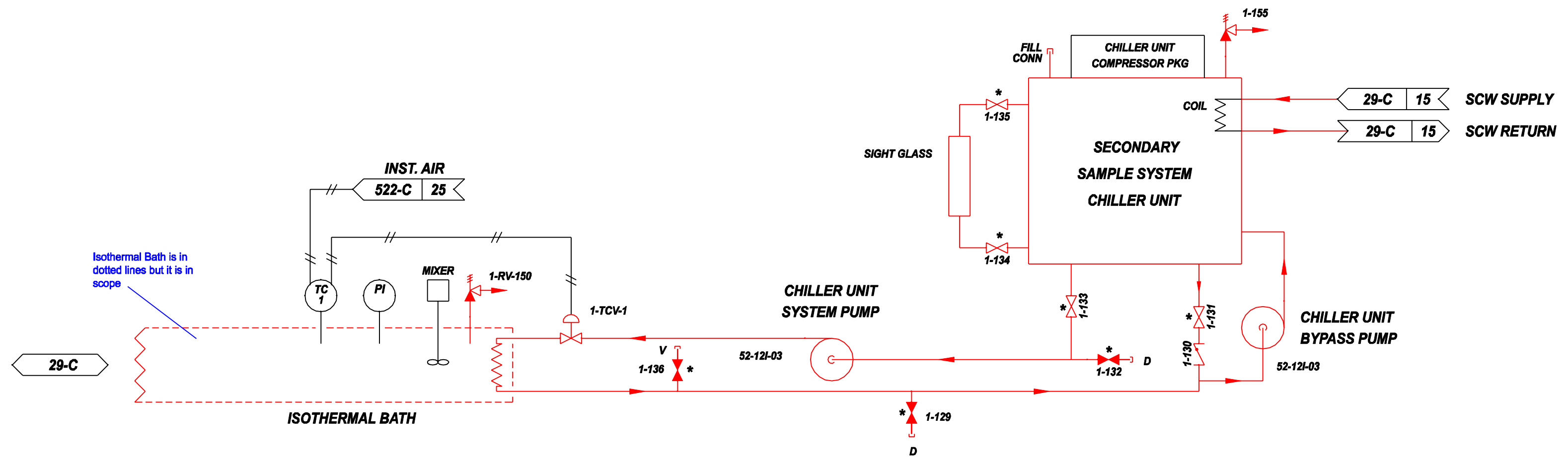
Note B Coolers are in those Systems whose sample lines are being cooled.

* - DENOTES CHEMISTRY VALVE	UNIT ONE
LR BOUNDARY DRAWING NO. LR-DCPP-28-106728-02	REV. 0

FLOOR DRAINS TO AUX BLDG SUMP
Continues to System 19
OVID 106719-06 coord
66-C

GRAB SAMPLE SINK
22-E 02
TO SMPL PNL
CND COLL. TK

F
D
C
B
A



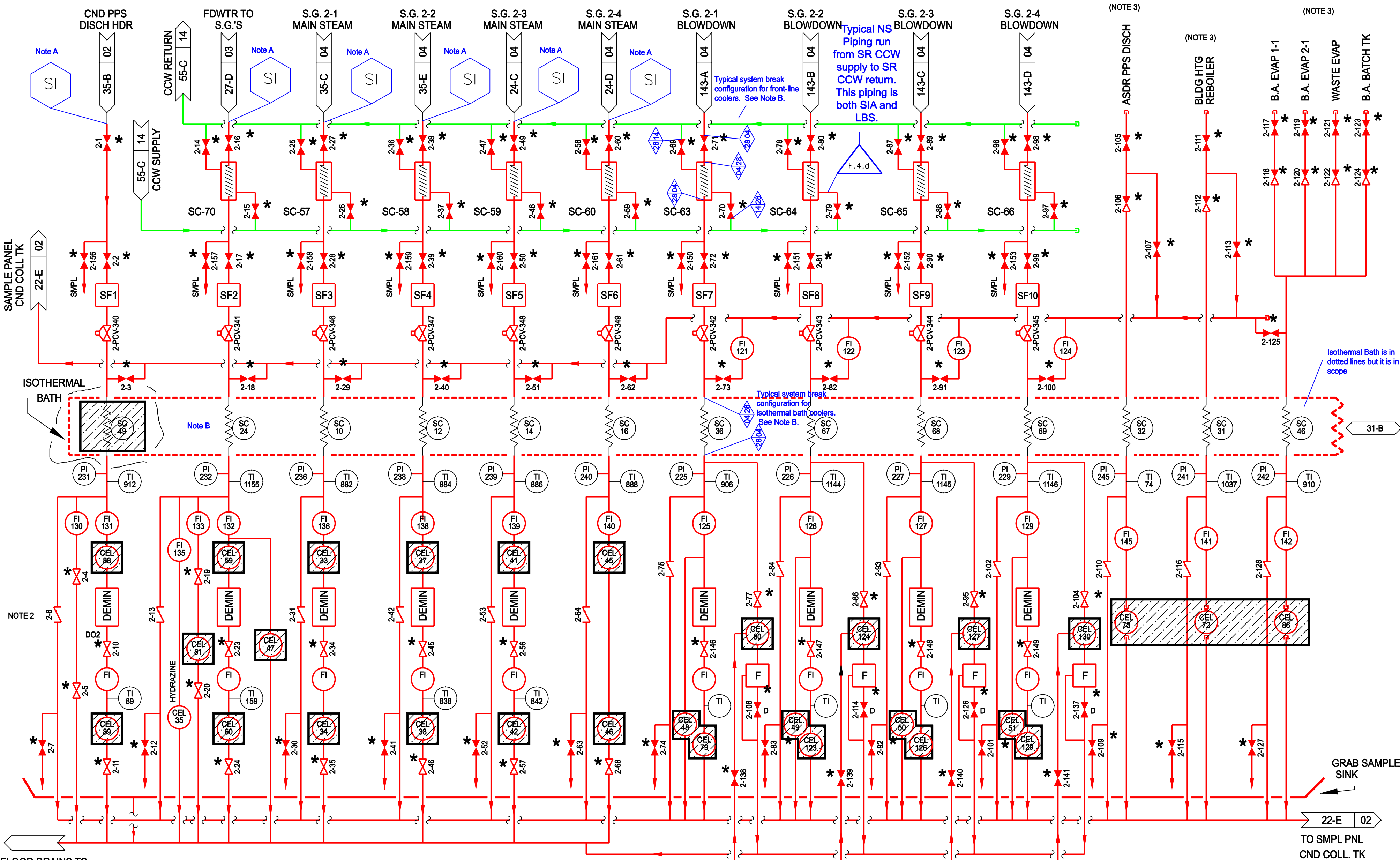
Isothermal Bath is in dotted lines but it is in scope

SECONDARY SAMPLING SYSTEM CHILLER UNIT - AUX. BLDG.

* - DENOTES CHEMISTRY VALVE

UNIT ONE

LR BOUNDARY DRAWING NO.	REV.
LR-DCPP-28-106728-03	0



NOTES:

1. ALL FI'S HAVE BUILT IN FLOW CONTROL VALVES
2. CHECK VALVES ARE SPRING LOADED AND OPEN AT 5 PSIG
3. THESE SAMPLE POINTS NOT CONNECTED AT THIS TIME (6 TOTAL)
4. SHADED AREAS ABANDONED EQUIP.

Other Notes:

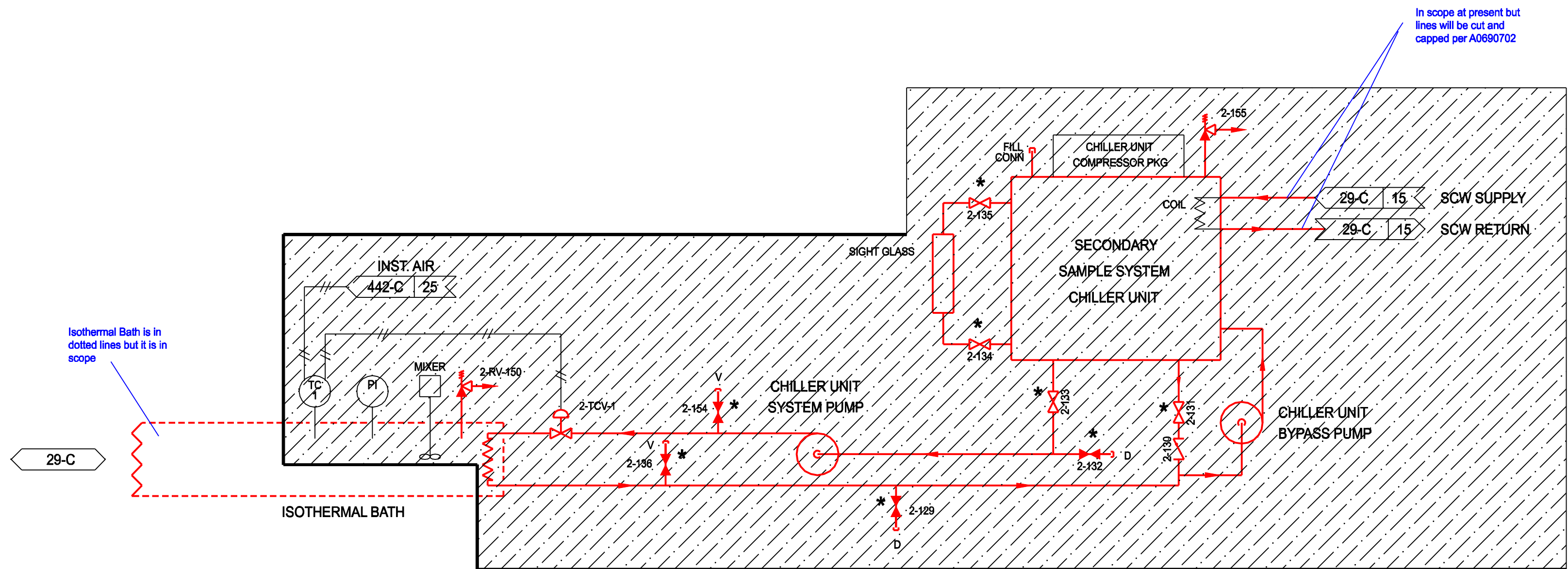
- Note A: Piping leaves Auxiliary Building (where it is in scope) to Turbine Building (where it is not in scope)
- Note B: Coolers are in those Systems whose sample lines are being cooled.
- * DENOTES SAMPLE VALVE

Legend:

- Line totally in sample room but no longer used
- ISOHERMAL BATH (shaded area)
- GRAB SAMPLE SINK
- TO SMPL PNL CND COLL. TK

SECONDARY SAMPLING SYSTEM - AUX. BLDG.

UNIT TWO	
LR BOUNDARY DRAWING NO.	REV.
LR-DCPP-28-107728-02	0

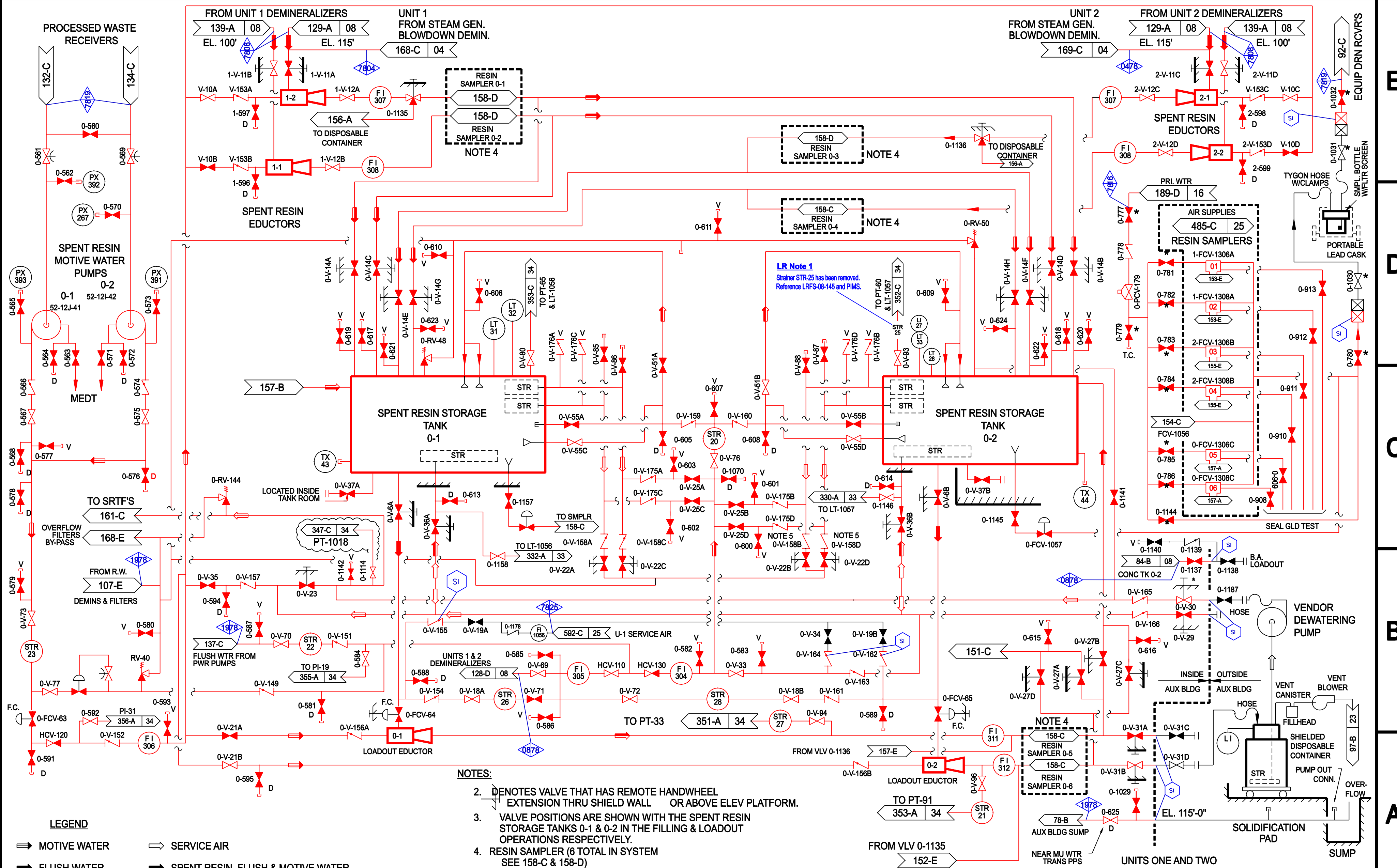


* DENOTES CHEMISTRY VALVE
 SHADED AREAS ABANDONED EQUIPMENT

SECONDARY SAMPLING SYSTEM CHILLER UNIT - AUX. BLDG.

UNIT TWO

LR BOUNDARY DRAWING NO.	REV.
LR-DCPP-28-107728-03	0



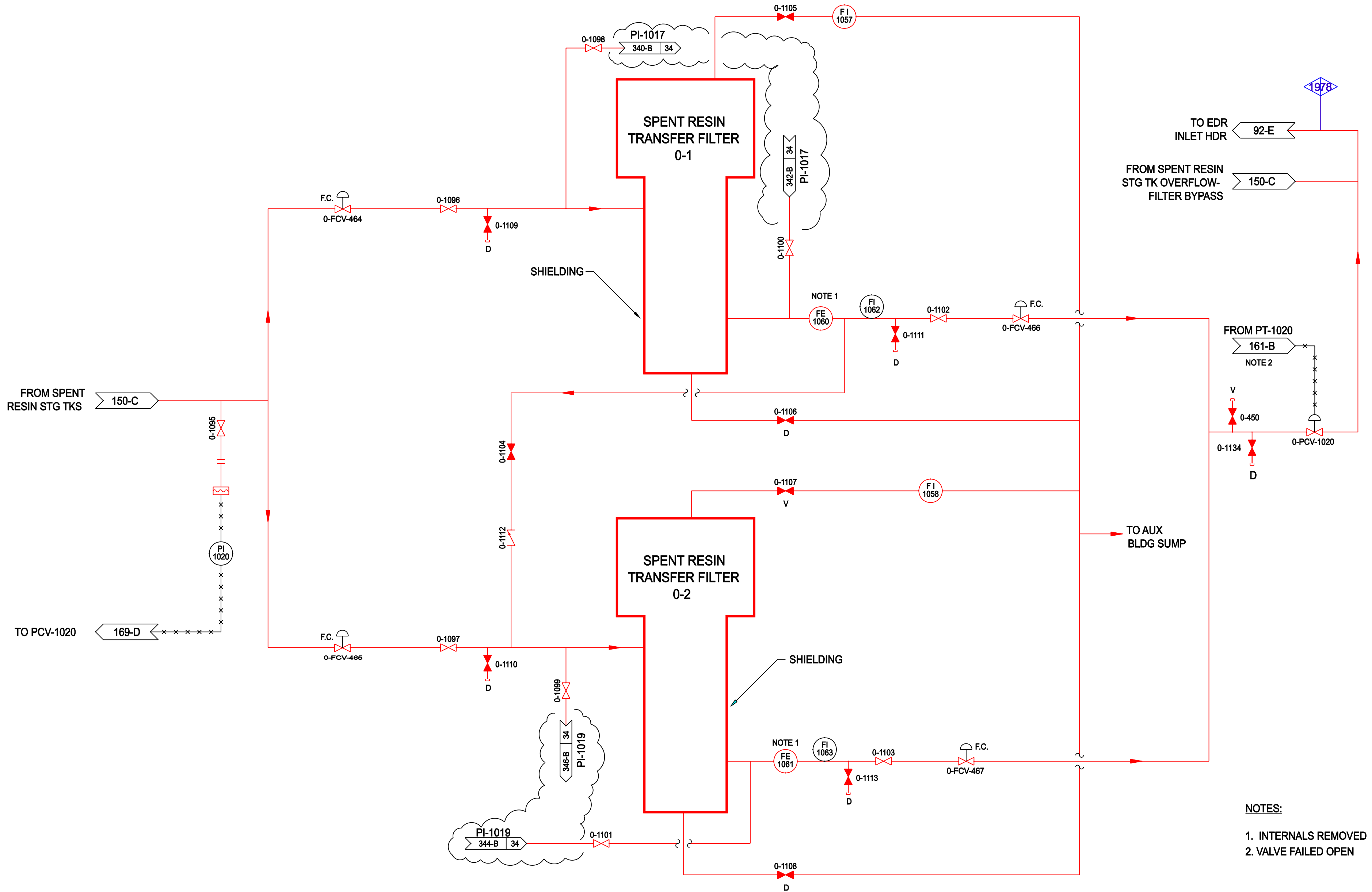
LEGEND

- ⇒ MOTIVE WATER
- ⇒ FLUSH WATER
- ⇒ OVERFLOW & DEWATERING
- ⇒ SERVICE AIR
- ⇒ SPENT RESIN, FLUSH & MOTIVE WATER
- ⇒ SPENT RESIN & FLUSH WATER

- NOTES:**
2. DENOTES VALVE THAT HAS REMOTE HANDWHEEL EXTENSION THRU SHIELD WALL OR ABOVE ELEV PLATFORM.
 3. VALVE POSITIONS ARE SHOWN WITH THE SPENT RESIN STORAGE TANKS 0-1 & 0-2 IN THE FILLING & LOADOUT OPERATIONS RESPECTIVELY.
 4. RESIN SAMPLER (6 TOTAL IN SYSTEM SEE 158-C & 158-D)
 5. CHECK VLV INTERNALS REMOVED

* DENOTES CHEMISTRY VALVE

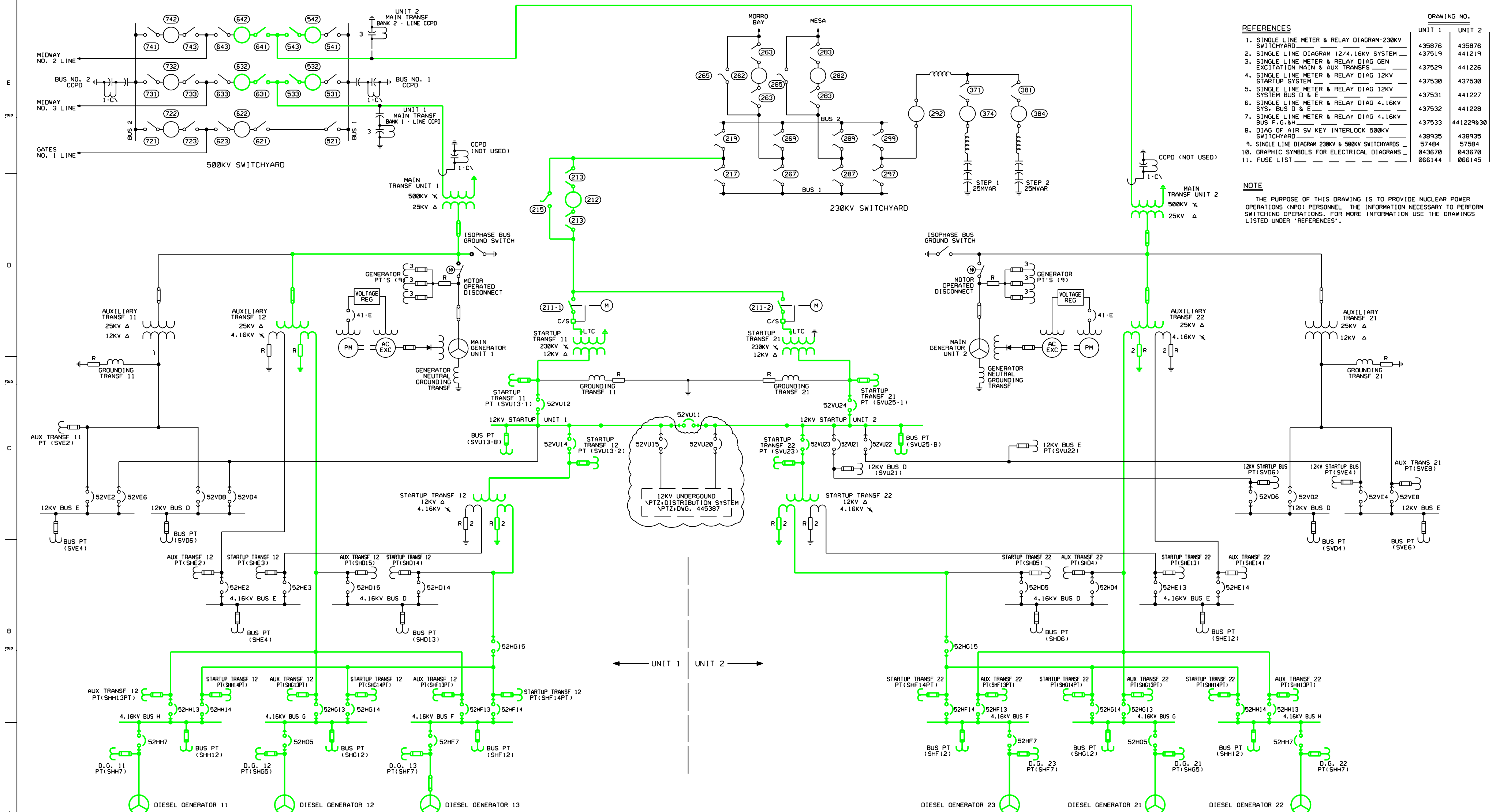
LR BOUNDARY DRAWING NO.	REV.
LR-DCPP-78-106719-15	0



SPENT RESIN TRANSFER FILTERS

NOTES:
1. INTERNALS REMOVED
2. VALVE FAILED OPEN

UNITS ONE AND TWO	
LR BOUNDARY DRAWING NO.	REV.
LR-DCPP-78-106719-16	0



REFERENCES

1. SINGLE LINE METER & RELAY DIAGRAM-230KV SWITCHYARD	UNIT 1	UNIT 2
2. SINGLE LINE DIAGRAM 12/4.16KV SYSTEM	435876	435876
3. SINGLE LINE METER & RELAY DIAG GEN EXCITATION MAIN & AUX TRANSFS	437519	441219
4. SINGLE LINE METER & RELAY DIAG 12KV STARTUP SYSTEM	437529	441226
5. SINGLE LINE METER & RELAY DIAG 12KV SYSTEM BUS D & E	437530	437530
6. SINGLE LINE METER & RELAY DIAG 4.16KV SYS. BUS D & E	437531	441227
7. SINGLE LINE METER & RELAY DIAG 4.16KV BUS F, G, & H	437532	441228
8. DIAG OF AIR SW KEY INTERLOCK 500KV SWITCHYARD	437533	441229&30
9. SINGLE LINE DIAGRAM 230KV & 500KV SWITCHYARDS	438935	438935
10. GRAPHIC SYMBOLS FOR ELECTRICAL DIAGRAMS	57484	57584
11. FUSE LIST	043670	043670
	066144	066145

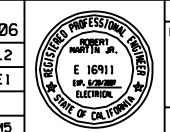
NOTE
 THE PURPOSE OF THIS DRAWING IS TO PROVIDE NUCLEAR POWER OPERATIONS (NPO) PERSONNEL THE INFORMATION NECESSARY TO PERFORM SWITCHING OPERATIONS. FOR MORE INFORMATION USE THE DRAWINGS LISTED UNDER 'REFERENCES'.

NUCLEAR SAFETY RELATED

KEY DWG-SECTION 1A UNIT 1 & 2

LR BOUNDARY DRAWING NO.	REV.
LR-DCPP-ELEC-502110	0

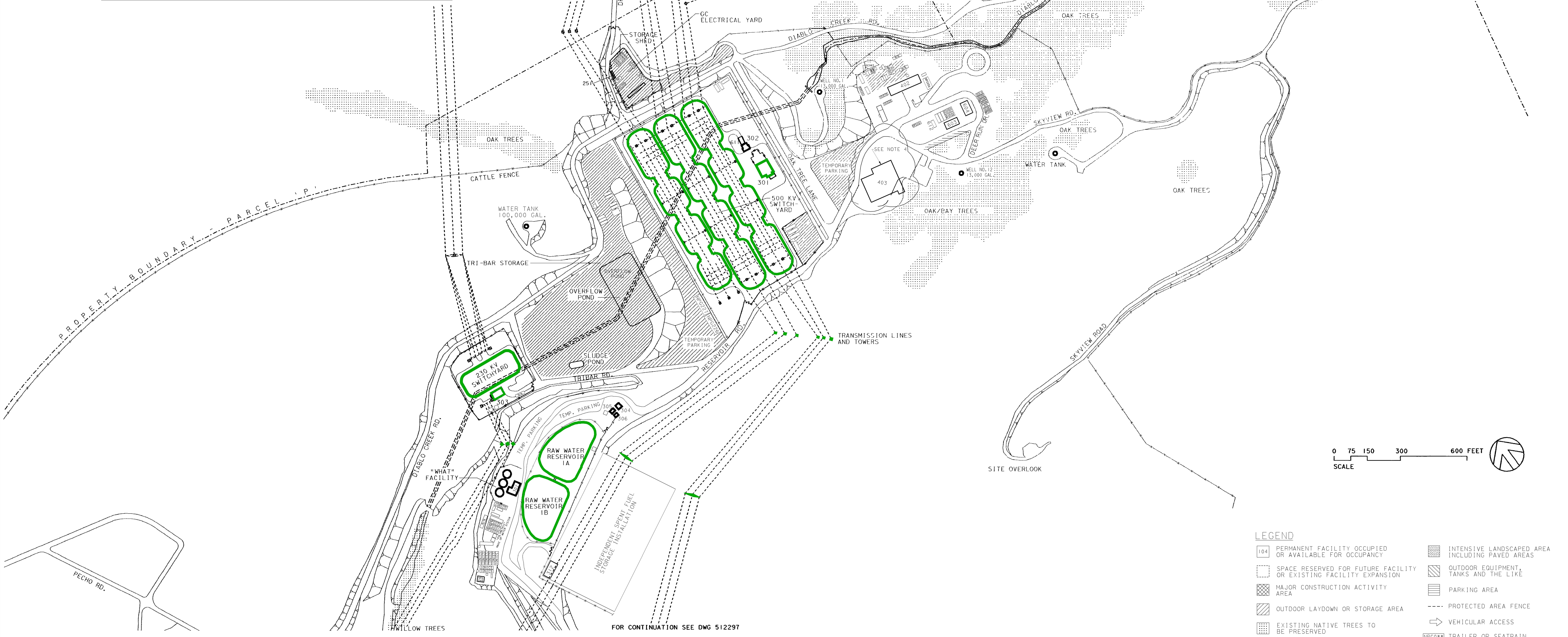
DATE	03-03-2006	REVISION DESCRIPTION	DWG SCALE
D.O.	AJL2	REVISED PER FCT-031135	BILL OF MATL
R.E.	UME1		SUPDS*
I.V.			SUPSD BY:
P.E.	RSMS		DRAWING SHEET PAGE REV
			502110 1 0 15



DIAULO CANYON POWER PLANT
 PACIFIC GAS AND ELECTRIC COMPANY
 SAN FRANCISCO, CALIFORNIA

OUTAGE REPAIR, MAINTENANCE FACILITIES & LONG TERM STORAGE		PERMANENT FACILITIES	
NO.	FUNCTION	NO.	FUNCTION
611	500 KV SWITCHYARD STORAGE	GC 014	LONG TERM STORAGE
612	TOILET TRAILER	GC 017	REMOVED (SEE NOTE 2)
		GC 018	REMOVED (SEE NOTE 2)
		GC 029	STORAGE
		GC 039	LONG TERM STORAGE
		GC 042	LONG TERM STORAGE
		GC 048	LONG TERM STORAGE
		GC 050	LONG TERM STORAGE
		GC 055	GC ELECTRIC YARD STORAGE
		GC 062	REMOVED (SEE NOTE 2)
		GC 063	STORAGE
		GC 066	REMOVED (SEE NOTE 2)
		GC 067	REMOVED (SEE NOTE 2)
		GC 068	STORAGE
		GC 070	REMOVED (SEE NOTE 2)
		GC 071	REMOVED (SEE NOTE 2)
		GC 072	REMOVED (SEE NOTE 2)
		GC 073	REMOVED (SEE NOTE 2)
		GC 074	REMOVED (SEE NOTE 2)
		GC 075	GC ELECTRIC YARD STORAGE
		GC 076	GC ELECTRIC YARD STORAGE
		GC 079	LONG TERM STORAGE
		GC 082	REMOVED (SEE NOTE 2)
		GC 083	LONG TERM STORAGE
NPG 015	STORAGE	301	500 KV SWITCHYARD CONTROL BUILDING
NPG 017	STORAGE	302	500 KV SWITCHYARD STORAGE BUILDING
NPG 032	MAKE-UP WATER	303	230 KV SWITCHYARD CONTROL BUILDING
NPG 049	MAKE-UP WATER OFFICE	304	CHLORINATION & DOMESTIC WATER BUILDING
NPG 050	MAKE-UP WATER	305	CLARIFIER & MAKE-UP PRE-TREATMENT BUILDING
NPG 051	MAKE-UP WATER	306	CHEMICAL STORAGE
NPG 056	VEHICLE MAINTENANCE OFFICE	307	WASTEWATER HOLDING & TREATMENT EQUIPMENT ENCLOSURE
NPG 057	LONG TERM STORAGE	312	ISFSI ACCESS FACILITY
NPG 060	LONG TERM STORAGE	401	BUILDING HAS BEEN REMOVED (SEE NOTE 2)
NPG 061	LONG TERM STORAGE	402	VEHICLE MAINTENANCE SHOP
NPG 069	LONG TERM STORAGE	403	OLD STEAM GENERATOR STORAGE FACILITY
NPG 091	FLEET SERVICES BREAK TRAILER	603	DOCUMENT STORAGE
NPG 094	REMOVED (SEE NOTE 2)	604	PROJECT FILES STORAGE
VS#14	REMOVED (SEE NOTE 2)		
VS#15	REMOVED (SEE NOTE 2)		

For a list of In Scope Structures, please see Drawing LR-DCPP-STRUC-512297-01



FOR CONTINUATION SEE DWG 512297

- NOTE:**
- CONTACT SITE ARCHITECT OR CIVIL ENGINEERING PRIOR TO ANY CHANGES TO THIS DRAWING.
 - BUILDING NUMBER IS NOT DELETED OR REUSED WHEN A BUILDING IS REMOVED OR DEMOLISHED BECAUSE THE NUMBER MAY BE REFERENCED IN OTHER DOCUMENTS.
 - THIS DOCUMENT MAY NOT REFLECT THE AS-BUILT CONFIGURATION OF THE SITE.
 - FOR INSTALLATION OF OSG STORAGE FACILITY PLUS ROAD AND UNDERGROUND UTILITIES RE-ROUTE AND GRADING CHANGES, SEE DWG.6021777 SHEET 3, 21, 22, & 26

LEGEND

[Symbol]	PERMANENT FACILITY OCCUPIED OR AVAILABLE FOR OCCUPANCY	[Symbol]	INTENSIVE LANDSCAPED AREA INCLUDING PAVED AREAS
[Symbol]	SPACE RESERVED FOR FUTURE FACILITY OR EXISTING FACILITY EXPANSION	[Symbol]	OUTDOOR EQUIPMENT, TANKS AND THE LIKE
[Symbol]	MAJOR CONSTRUCTION ACTIVITY AREA	[Symbol]	PARKING AREA
[Symbol]	OUTDOOR LAYDOWN OR STORAGE AREA	[Symbol]	PROTECTED AREA FENCE
[Symbol]	EXISTING NATIVE TREES TO BE PRESERVED	[Symbol]	VEHICULAR ACCESS
		[Symbol]	TRAILER OR SEATRIN

DATE 02-17-2009		REVISION DESCRIPTION REVISED PER DDN-2*055-00		LR BOUNDARY DRAWING NO. LR-DCPP-STRUC-512298-01		REV. 0	
D.D.	AJFJ	ARCHITECTURAL SITE DEVELOPMENT PLAN RESERVOIR, SWITCHYARD AND VEHICLE MAINTENANCE		DWG SCALE:		BILL OF MATL:	
R.E.	rfsf	PACIFIC GAS AND ELECTRIC COMPANY SAN FRANCISCO, CALIFORNIA		SUPDS:		DRAWING	
T.V.				SHEET		PAGE	
P.E.	SXM9			512298		1 0 10	