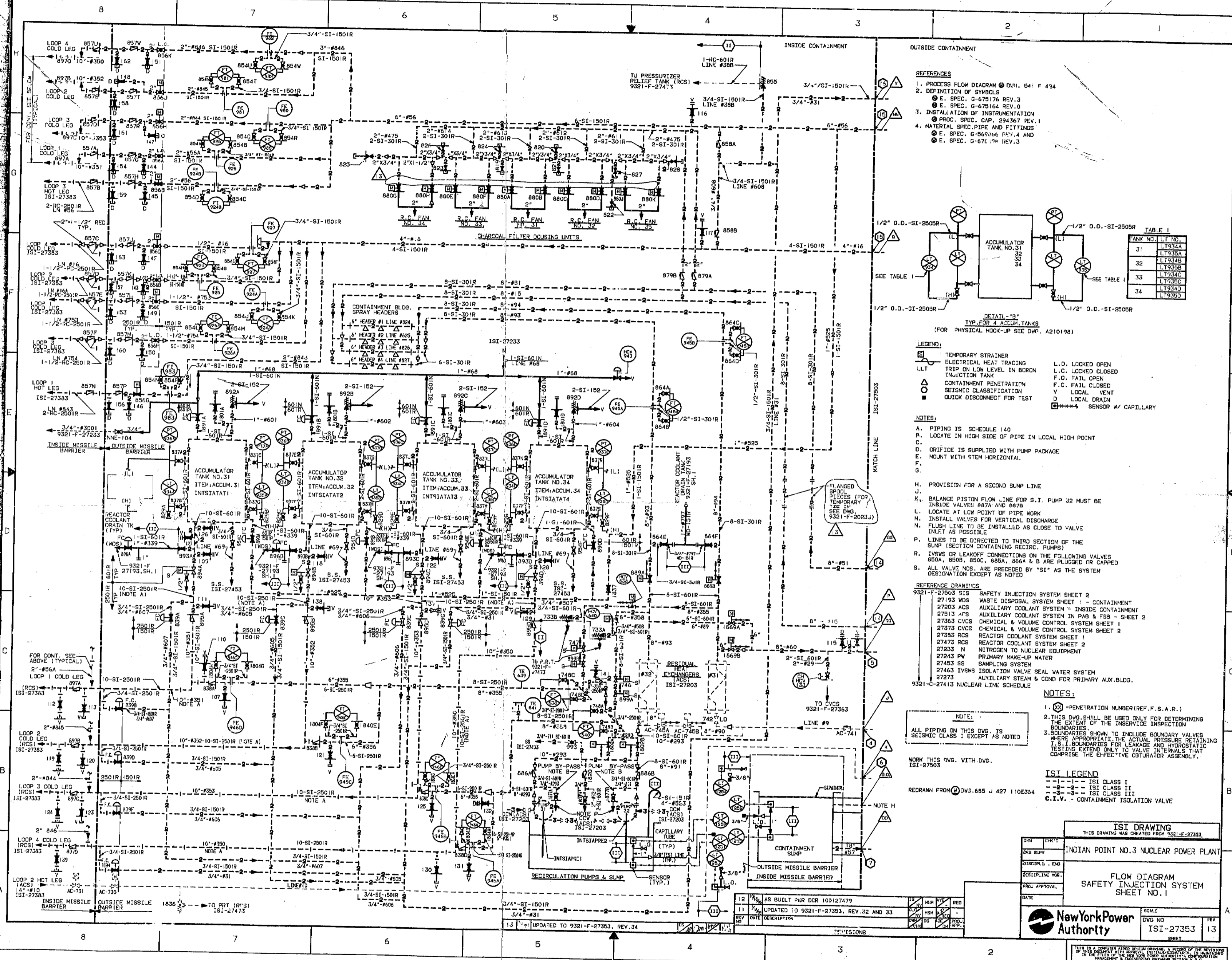
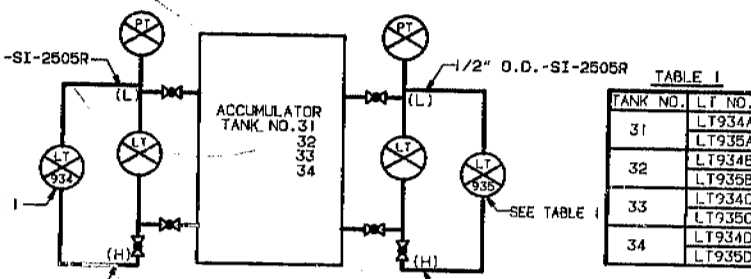


8/27/01
81-00112186
982-04



- REFERENCES**
- PROCESS FLOW DIAGRAM @ DWG. 841 F 434
 - DEFINITION OF SYMBOLS
 - E. SPEC. G-57516 REV.3
 - E. SPEC. G-675164 REV.0
 - INSTALLATION OF INSTRUMENTATION
 - ⊙ PROC. SPEC. CAP. 294367 REV.1
 - MATERIAL SPEC. PIPE AND FITTINGS
 - E. SPEC. G-565306 REV.4 AND
 - E. SPEC. G-67419 REV.3



TANK NO.	LT. NO.
31	L1934A
32	L1934B
33	L1934C
34	L1934D

- LEGEND:**
- TEMPORARY STRAINER
 - ELECTRICAL HEAT TRACING
 - TRIP ON LOW LEVEL IN BORON IN-ACTION TANK
 - CONTAINMENT PENETRATION
 - SEISMIC CLASSIFICATION
 - QUICK DISCONNECT FOR TEST
 - L.O. LOCKED OPEN
 - L.C. LOCKED CLOSED
 - F.O. FAIL OPEN
 - F.C. FAIL CLOSED
 - V. LOCAL VENT
 - D. LOCAL DRAIN
 - SENSOR W/ CAPILLARY

- NOTES:**
- PIPING IS SCHEDULE 140
 - LOCATE IN HIGH SIDE OF PIPE IN LOCAL HIGH POINT
 - ORIFICE IS SUPPLIED WITH PUMP PACKAGE
 - MOUNT WITH STEM HORIZONTAL
 - PROVISION FOR A SECOND GUMP LINE
 - BALANCE PISTON FLOW LINE FOR S.I. PUMP 32 MUST BE INSIDE VALVES 857A AND 857B
 - LOCATE AT LOW POINT OF PIPE WORK
 - INSTALL VALVES FOR VERTICAL DISCHARGE
 - FLUSH LINE TO BE INSTALLED AS CLOSE TO VALVE INLET AS POSSIBLE
 - LINE TO BE DIRECTED TO THIRD SECTION OF THE SUMP (SECTION CONTAINING RECIRC. PUMPS)
 - 3/8" OR LEAKOFF CONNECTIONS ON THE FOLLOWING VALVES 860A, 860B, 860C, 860A & B ARE PLUGGED OR CAPPED
 - ALL VALVE NOS. ARE PRECEDED BY 'SI' AS THE SYSTEM DESIGNATION EXCEPT AS NOTED

- REFERENCE DRAWINGS:**
- 9321-F-27503 SIS SAFETY INJECTION SYSTEM SHEET 2
 - 27193 WDS WASTE DISPOSAL SYSTEM SHEET 1 - CONTAINMENT
 - 27203 ACS AUXILIARY COOLANT SYSTEM - INSIDE CONTAINMENT
 - 27513 AFS AUXILIARY COOLANT SYSTEM IN PAB & FSB - SHEET 2
 - 27363 CVCS CHEMICAL & VOLUME CONTROL SYSTEM SHEET 1
 - 27373 CVCS CHEMICAL & VOLUME CONTROL SYSTEM SHEET 2
 - 27383 RCS REACTOR COOLANT SYSTEM SHEET 2
 - 27473 RCS REACTOR COOLANT SYSTEM SHEET 2
 - 27233 N NITROGEN TO NUCLEAR EQUIPMENT
 - 27243 PW PRIMARY MAKE-UP WATER
 - 27453 SS SAMPLING SYSTEM
 - 27463 ISVMS ISOLATION VALVE SEAL WATER SYSTEM
 - 27273 AUXILIARY STEAM & COND FOR PRIMARY AUX. BLDG.
 - 9321-C-27413 NUCLEAR LINE SCHEDULE

- NOTES:**
- ⊙ - PENETRATION NUMBER (REF. F.S.A.R.)
 - THIS DWG. SHALL BE USED ONLY FOR DETERMINING THE EXTENT OF THE INSERVICE INSPECTION BOUNDARIES
 - BOUNDARIES SHOWN TO INCLUDE BOUNDARY VALVES WHERE APPROPRIATE; THE ACTUAL PRESSURE RETAINING BOUNDARIES EXTEND ONLY TO VALVE INTERNALS THAT COMPRISE THE EFFECTIVE OBTURATOR ASSEMBLY.
- IST LEGEND**
- I --- IST CLASS I
 - II --- IST CLASS II
 - III --- IST CLASS III
 - C.I.V. - CONTAINMENT ISOLATION VALVE

NOTE:
ALL PIPING ON THIS DWG. IS SEISMIC CLASS I EXCEPT AS NOTED

WORK THIS DWG. WITH DWG. ISI-27503
REDRAWN FROM DWG. 695 J 427 110E334

THIS DRAWING WAS CREATED FROM 9321-F-27353	
DWG NO.	ISI-27353
DISC NO.	
DISCPL. NO.	
DISCPL. REV.	
DATE	
REV	DESCRIPTION
1	AS BUILT PER DCR 100127479
11	UPDATED TO 9321-F-27353, REV. 32 AND 33
13	UPDATED TO 9321-F-27353, REV. 34

REVISIONS

NO.	DATE	DESCRIPTION	BY	CHKD	APPD
1					
2					

IST DRAWING
INDIAN POINT NO.3 NUCLEAR POWER PLANT
FLOW DIAGRAM
SAFETY INJECTION SYSTEM
SHEET NO. 1

New York Power Authority
DWG NO: ISI-27353
REV: 13

36X
9812160Z65
981210021

APERTURE CARD