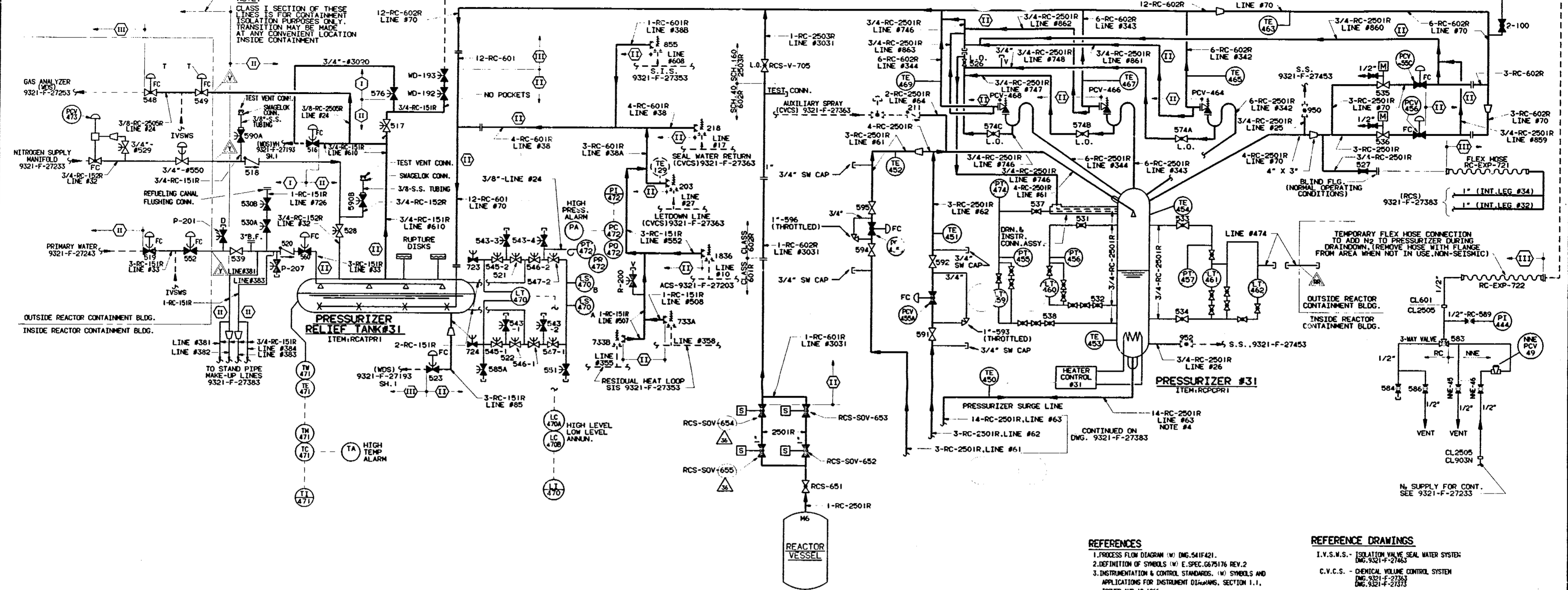


FOR WDS LINE CONT. SEE DWG. 9321-F-27193 SH.1

NOTE:
CLASS I SECTION OF THESE LINES IS FOR CONTAINMENT ISOLATION PURPOSES ONLY. TRANSITION MAY BE MADE AT ANY CONVENIENT LOCATION INSIDE CONTAINMENT



REFERENCES

- PROCESS FLOW DIAGRAM (W) DWG. 541F421.
- DEFINITION OF SYMBOLS (W) E. SPEC. 0575176 REV. 2
- INSTRUMENTATION & CONTROL STANDARDS (W) SYMBOLS AND APPLICATIONS FOR INSTRUMENT DIAGRAMS, SECTION 1.1, ISSUED AUG. 12, 1966.
- INSTRUMENT INSTALLATION SECTION 3.0 ISSUED NOV. 16, 1966.
- MATERIAL SPEC. & FITTINGS (W) E. SPEC. 0569866 REV. 2.
- E. SPEC. 0576398 REV. 0.
- (W) DWG. 2650028 REV. 4.

NOTES

- 1-2" INSIDE DIAMETER
- 2-3" INSIDE DIAMETER
- 3-27.5" INSIDE DIAMETER
- SCHEDULE 140 PIPE
- GLOBE VALVES NORMALLY INSTALLED WITH FLOW UNDER SEAT.
- LOCATED OUTSIDE SECONDARY SHIELD WALL. VALVE NO. 507 IS FROM INNER O-RING. VALVE NO. 502 IS FROM OUTER O-RING.
- SPRAY LINE SCOOP
- ELBOW FLOW METERS
- 9-FT. LG., 6" DIA. SCHEDULE 10S STAND PIPE, BOTH ENDS CAPPED.
- 10-PIPE SLOPED DOWNHILL TO DRAIN TANK.
- 11-ALL SCOOPS LOCATED IN THE SAME CROSS-SECTIONAL PLANE.
- 12-ROOT VALVE IS LOCATED ABOVE ELEVATION OF REACTOR VESSEL NOZZLES.
- 13-VESSEL VENT LINE AND GASKET MONITORING LINES FURNISHED WITH VESSEL.
- 14-VALVES 539, 540, 541 & 542 ARE LOCATED BELOW HOT LEG PIPING.
- 15-FOR SEAL LEAKOFF SEE DWG. 9321-F-26473 FOR VALVES 535, 536, 455A & B.
- 16-ALL VALVE NO'S. ARE PRECEDED BY "RC" UNLESS OTHERWISE NOTED.

REFERENCE DRAWINGS

- I.V.S.W.S. - ISOLATION VALVE SEAL WATER SYSTEM DWG. 9321-F-27453
- C.V.C.S. - CHEMICAL VOLUME CONTROL SYSTEM DWG. 9321-F-27353
- A.C.S. - AUXILIARY COOLANT SYSTEM DWG. 9321-F-27513 SH. 2
- S.I.S. - SAFETY INJECTION SYSTEM DWG. 9321-F-27353
- S.S. - SAMPLING SYSTEM DWG. 9321-F-27453
- W.D.S. - WASTE DISPOSAL SYSTEM DWG. 9321-F-27193 SH. 1
- R.C.S. - REACTOR COOLANT SYSTEM DWG. 9321-F-27383
- NUCLEAR LINE LIST DWG. 9321-C-27413
- REACTOR HEAD VENT SYSTEM DWG. 6604-171-F-1

LEGEND

- DT - DRAIN TANK (MOS)
- V - VENT TO ATMOSPHERE
- FO - FAIL OPEN
- FC - FAIL CLOSED
- Y - TRIP ON CONTAINMENT ISOLATION SIGN
- VH - VENT HEADER
- D - LOCAL DRAIN
- △ - CONTAINMENT PENETRATION
- - SEISMIC CLASSIFICATION

NOTE:
ALL PIPING ON THIS DWG. IS SEISMIC CLASS I EXCEPT AS NOTED.
REDRAWN FROM (W) DWG. 685J413

9802110121
INFORMATION ONLY

REV	NO	DATE	DESCRIPTION	BY	CHK	APP
36	17		AS BUILT PER DCR 100141703	IS	JM	REG
35	16		AS BUILT PER DCR 94-3-250, 96-3-204, 96-3-208 AND 97-3-133	IS	JM	REG
34	15		AS BUILT PER DCR 100134696	IS	JM	REG
33	14		AS BUILT PER DCR 100118306	IS	JM	REG
32	13		AS BUILT PER DCR 100122863	IS	JM	REG
31	12		AS BUILT PER DCR 100120308	IS	JM	REG

INDIAN POINT NO. 3 NUCLEAR POWER PLANT

FLOW DIAGRAM
REACTOR COOLANT SYSTEM
SHEET NO. 2

New York Power Authority

SCALE NONE
DWG NO 9321-F-27473 36
REV 36

TYPE A/ISI/FSAR

THIS IS A COMPUTER AIDED DESIGN DRAWING. A RECORD OF THE REVISIONS TO THIS DRAWING IS MAINTAINED IN THE FILE OF THE NEW YORK POWER AUTHORITY.