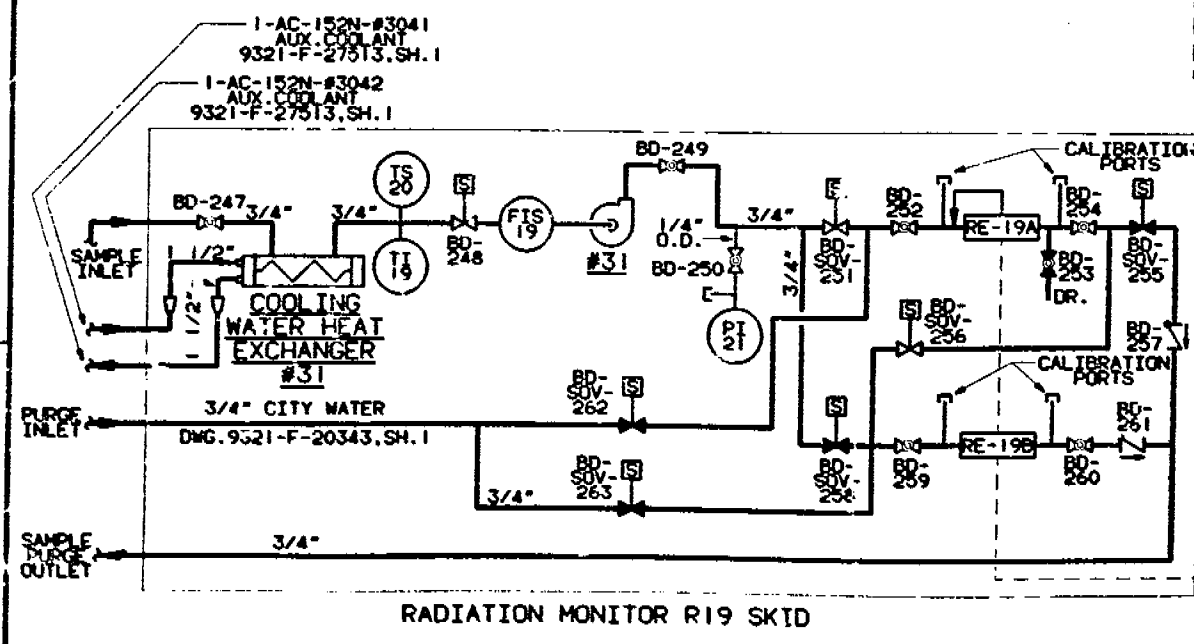


NOTES:
 1. VALVES TO CLOSE UPON HIGH RADIATION ALARM.
 2. ALL VALVE NO.'S ARE PRECEDED BY A "BD" SYSTEM DESIGNATION UNLESS OTHERWISE NOTED.

REFERENCE DRAWINGS:
 9321-F-27293, SH. 1-STEAM GENERATOR BLOWDOWN SYSTEM-FLOW DIAGRAM.
 9321-F-27453-SAMPLING SYSTEM-FLOW DIAGRAM.
 9321-F-27463-ISOLATION VALVE SEAL WATER SYSTEM-FLOW DIAGRAM.
 9321-F-27513, SH. 1-AUX COOLANT SYSTEM IN PAB & FSB-FLOW DIAGRAM.
 9321-F-27513, SH. 2-AUX COOLANT SYSTEM IN PAB & FSB-FLOW DIAGRAM.

LEGEND:
 IVSW ISOLATION VALVE SEAL WATER SYSTEM
 L.O. LOCKED OPEN VALVE
 L.C. LOCKED CLOSED VALVE
 T CONTAINMENT ISOLATION SIGNAL
 F.C. FAIL CLOSE (AIR OPERATED VALVE)
 ○ SEISMIC CLASSIFICATION
 ⊕ LOCAL CONTROL PANEL

TO SDW-1317 (NOTE 1)
 TO SDW-1316 (NOTE 1)
 TO SDW-1314 (NOTE 1)
 TO SDW-1315 (NOTE 1)
 TO SDW-1317A (NOTE 1)
 TO SDW-1316A (NOTE 1)
 TO SDW-1314A (NOTE 1)
 TO SDW-1315A (NOTE 1)



INFORMATION ONLY

REV NO	DATE	DESCRIPTION	REV	BY	CHK	APP
12		AS BUILT PER MOD 97-3-293	15	dm	REG	
11		AS BUILT PER DCR 100117757.	16	MSH	REG	
10		AS BUILT PER DCR 100116628.	17	MSH	REG	
9		AS BUILT PER DCR 100092901.	18	MSH	REG	

INDIAN POINT NO. 3 NUCLEAR POWER PLANT

**FLOW DIAGRAM
 STEAM GENERATOR
 BLOWDOWN
 SAMPLE PANEL**

SCALE: NONE
 DWG NO: 9321-F-27293
 SHEET 2 OF 12

New York Power Authority

TYPE A/ISI/FSAR

9802110110