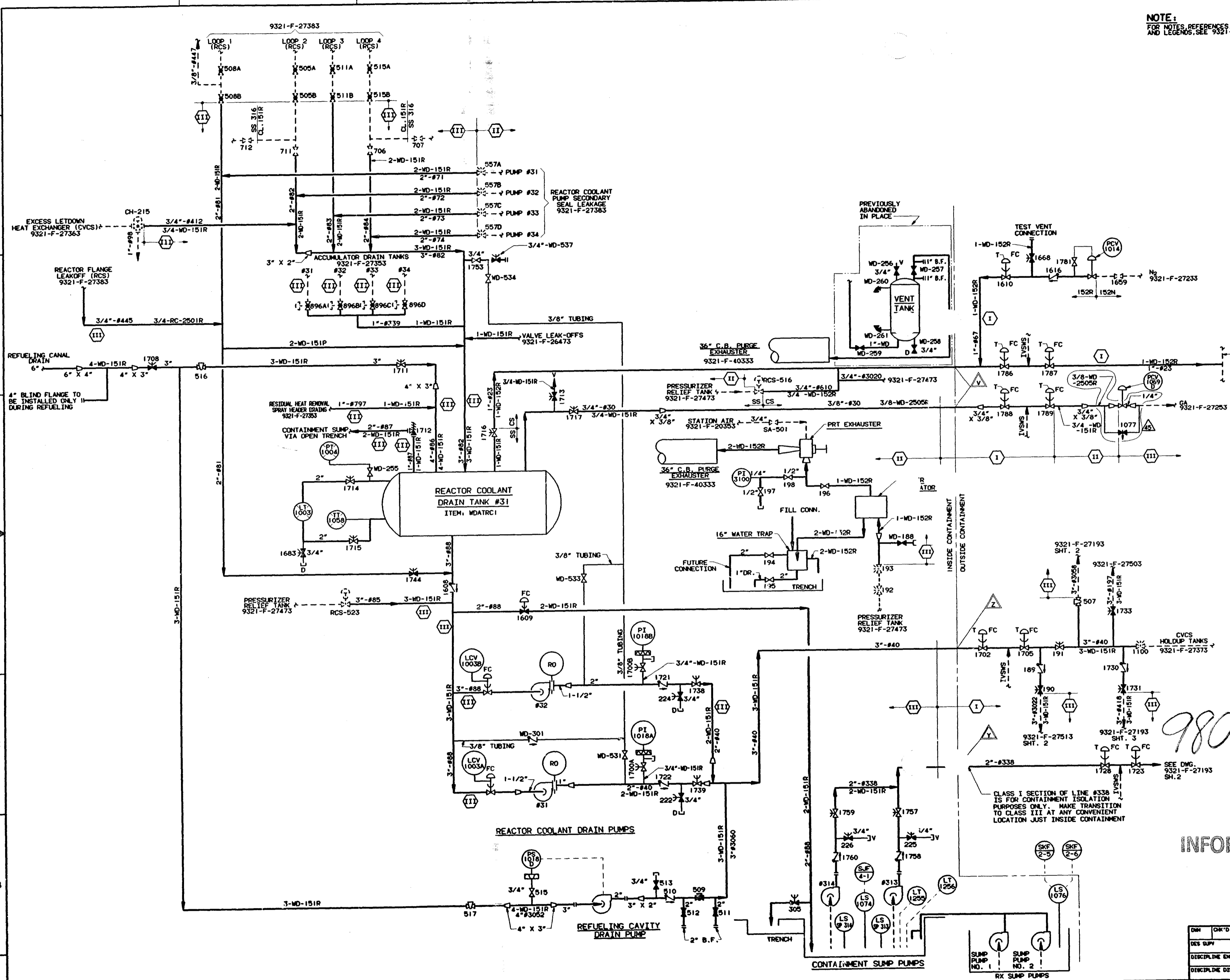


NOTE:
FOR NOTES, REFERENCES, REFERENCE DRAWINGS
AND LEGENDS, SEE 9321-F-27193, SH. 3.



9802110087

INFORMATION ONLY

THIS IS A COMPUTER AIDED DESIGN DRAWING. A RECORD OF THE REVISIONS OF THIS SYSTEM WITH CORRECTING ACTION TAKEN, IS MAINTAINED IN THE FILES OF THE NEW YORK POWER AUTHORITY. COOPERATION MANAGEMENT & ENGINEERING PROGRAMS SECTION, N.Y.P.A.

DWG NO	9321-F-27193
REV	45
DISCIPLINE	ENR
DISCIPLINE ENG	
DISCIPLINE DTR	
PROJ APPROVAL	
DATE	

INDIAN POINT NO. 3 NUCLEAR POWER PLANT

**FLOW DIAGRAM
WASTE DISPOSAL SYSTEM
SHEET NO. 1 - CONTAINMENT**

New York Power Authority

SCALE: NONE
DWG NO: 9321-F-27193
REV: 45
SHEET: 1

NO	DATE	DESCRIPTION	BY	CHK'D	REV
45		AS BUILT PER MWP 93-3-325 GND			
44		AS BUILT PER DCR 100139985			
43		AS BUILT PER DCR 100098276			
42		AS BUILT PER DCR'S 100124492			
41		AS BUILT PER DCR'S 100118181 & 100123787			
40		AS BUILT PER DCR'S 100121636, 100121638, & 100121639			

TYPE A/ISI/FSAR

9802110087