

DRAWING NUMBER

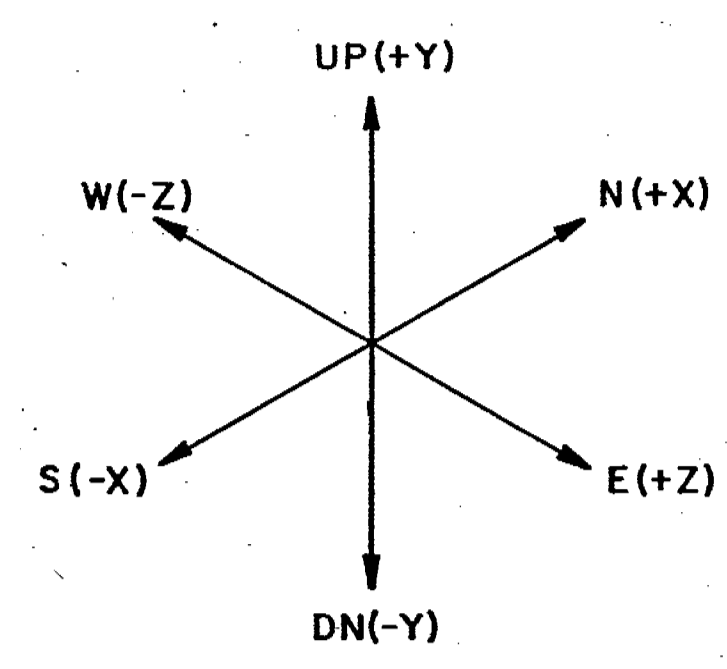
DRAWING NUMBER

DRAWING NUMBER

DRAWING NUMBER

DRAWING NUMBER  
U. E. & C.

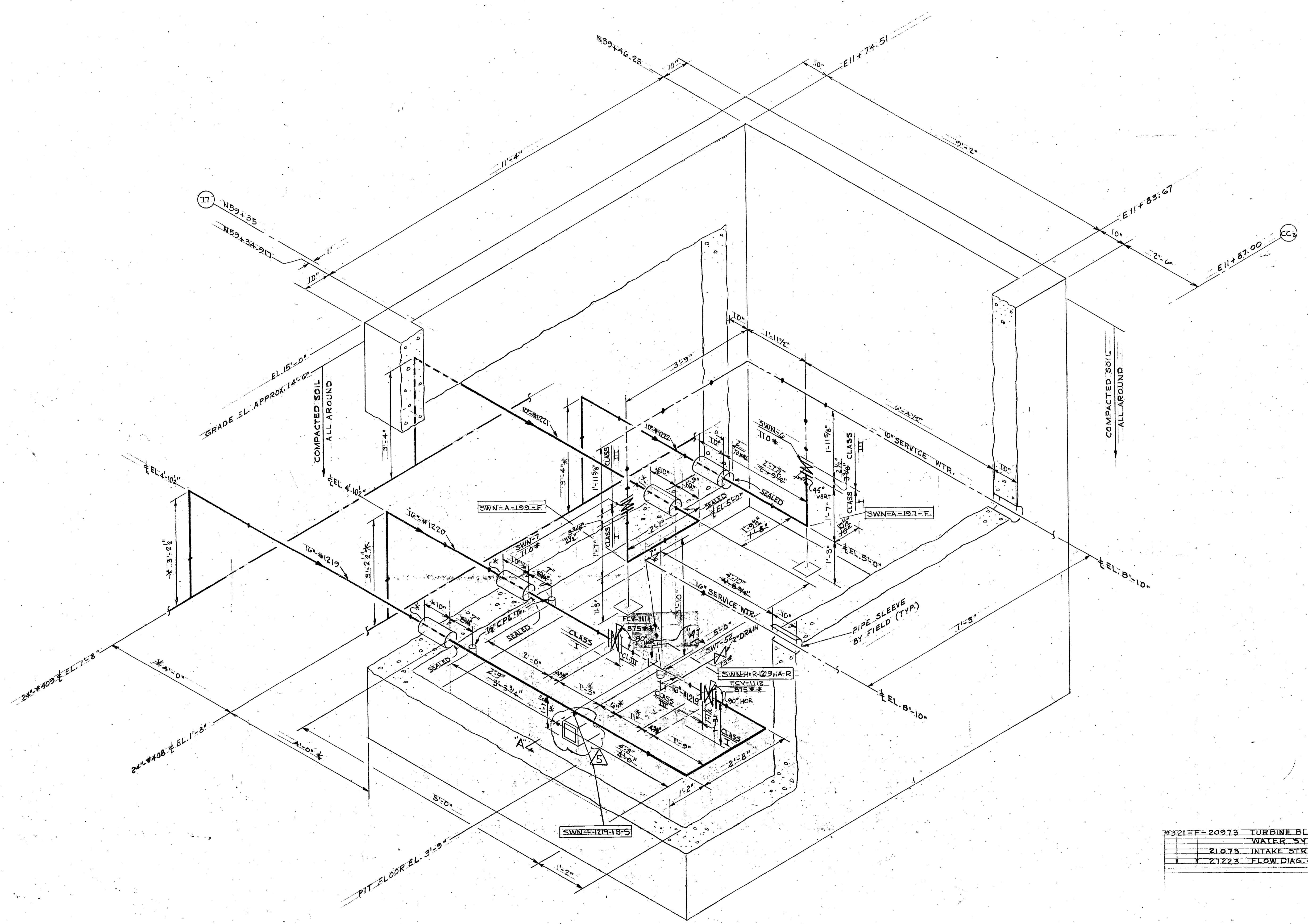
DRAWING NUMBER  
9321-F-23333



**PIPE RESTRAINT & SUPPORT LEGEND**

ALL RESTRAINTS & SUPPORTS WILL BE DESIGNATED AS FOLLOWS:

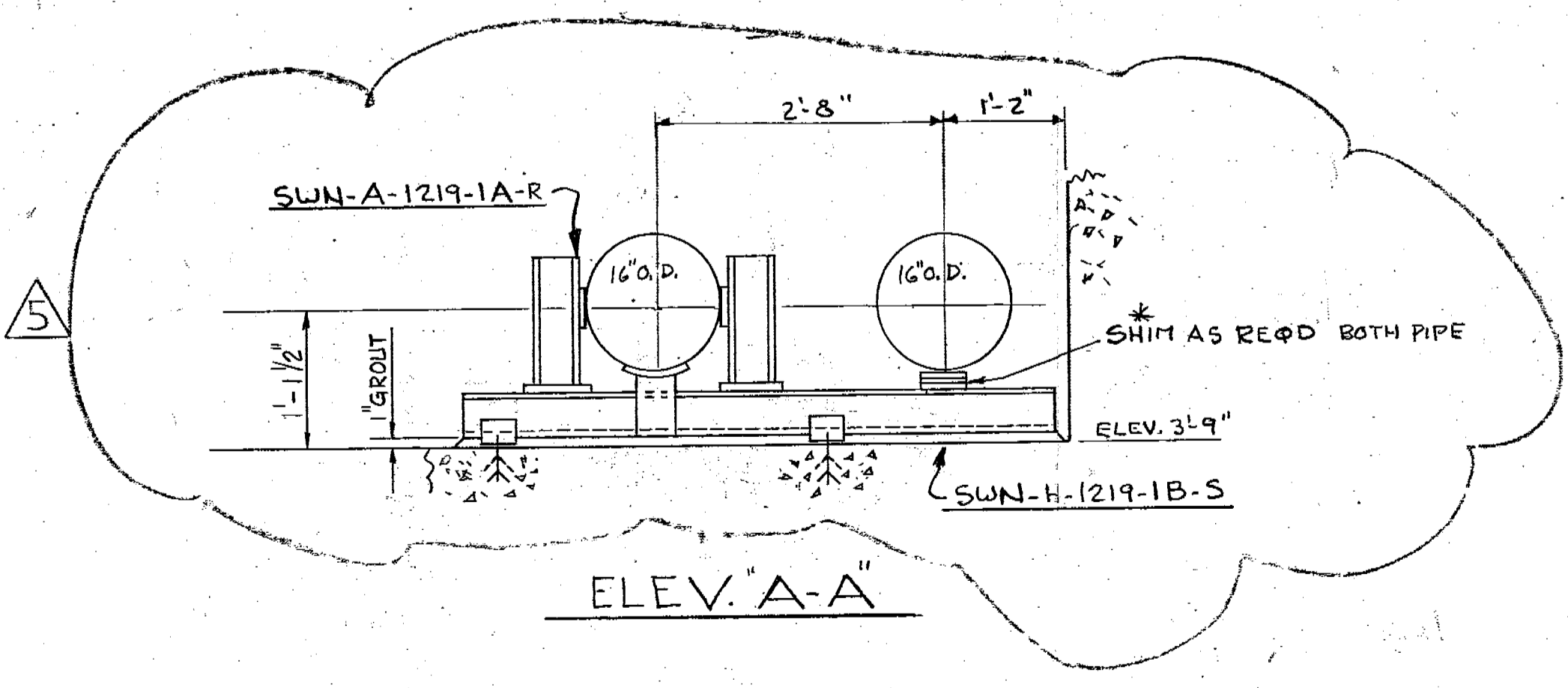
SYSTEM DESIGNATION	A B C - D - 1 2 3 - Z
FROM PIPING FAB. SPEC. NO. 9321-05-248-73	
BASIC FUNCTION	
HANGER OR SUPPORT	H
ANCHOR	A
SEISMIC RESTRAINT	R
THRUST BLOCK	T
SUPPORT NO.	
DETAILED DESCRIPTION OF FUNCTION	
SUPPORT UNRESTRICTED	S
"U" BOLTED TIGHT	U
"U" " " LOOSE - 1/16" CLEAR SIDES & 1/16" TOP	U
GUIDED - 1/16" CLEAR SIDES & TOP	G
HANGER - PLAIN RIGID ROD	R
" " WITH ROCKER WASHER	R
" " SPRING VARIABLE	V
" " SPRING CONSTANT	C
ANCHOR - FIXED	F
" " PARTIAL	P
SEISMIC RESTRAINT - RIGID	R
" " GUIDED - 1/16" CLEAR SIDES & 1/16" TOP	R
" " HYDRAULIC	H



10/10  
E.S./L.V.  
1/00/11/20/83  
9-PE-25 # 10000

**REFERENCE DRAWINGS**

9321-F-20913	TURBINE BLDG. & HEATER BAY - SERVICE COOLING WATER PIPING - RIVER WATER SYS. - SH. NO. 1
21073	INTAKE STRUCTURE - SERVICE WATER PIPING - RIVER WATER SYS. - SH. NO. 2
21223	FLOW DIAG. - SERVICE WATER SYS. - NUCLEAR STEAM SUPPLY PLANT



SI  
APERTURE  
CARD

LINE NO. 1220 NO SUPPORT UNCONTROLLED DRAWING

FINAL ISSUE  
"AS BUILT"

CAUTION - Extended use of this drawing copy may result in its inaccuracy due to subsequent design changes and drawing updates.

SITE ITEM # 86

IMPOSSIBLE TO VERIFY

5	INCORPORATED MODIFICATION PER MOD. 85-03-013 SWS	DL	10/10
4	AS PER LINE WALK	DL	10/10
3	FINAL ISSUE	DL	10/10
2	REVISED ELEV. & SUPPORT LINE	DL	10/10
1	DESIGNED SUPPORTS - SWN-A-1219-1A-R & SWN-H-1219-1B-S	DL	10/10
0	FIRST ISSUE FOR CONST.	DL	10/10
0	DATE	DL	10/10

WESTINGHOUSE ELECTRIC CORPORATION  
TURBINE BUILDING  
RESTRAINT & SUPPORT DESIGN  
LINES 1219, 1220, 1221 & 1222  
FOR  
CONSOLIDATED EDISON COMPANY  
INDIAN POINT GENERATING STATION  
UNIT NO. 3

ENGINEER: David J. ...  
STATE REG. NEW YORK NO. 42880  
UNITED ENGINEERS & CONSTRUCTORS INC.  
U. E. & C. D.W.G. NO. 9321-F-23333-5  
CON. ED. CO. D.W.G. NO. A202882

9302170369