

IA-H-1156-51-R

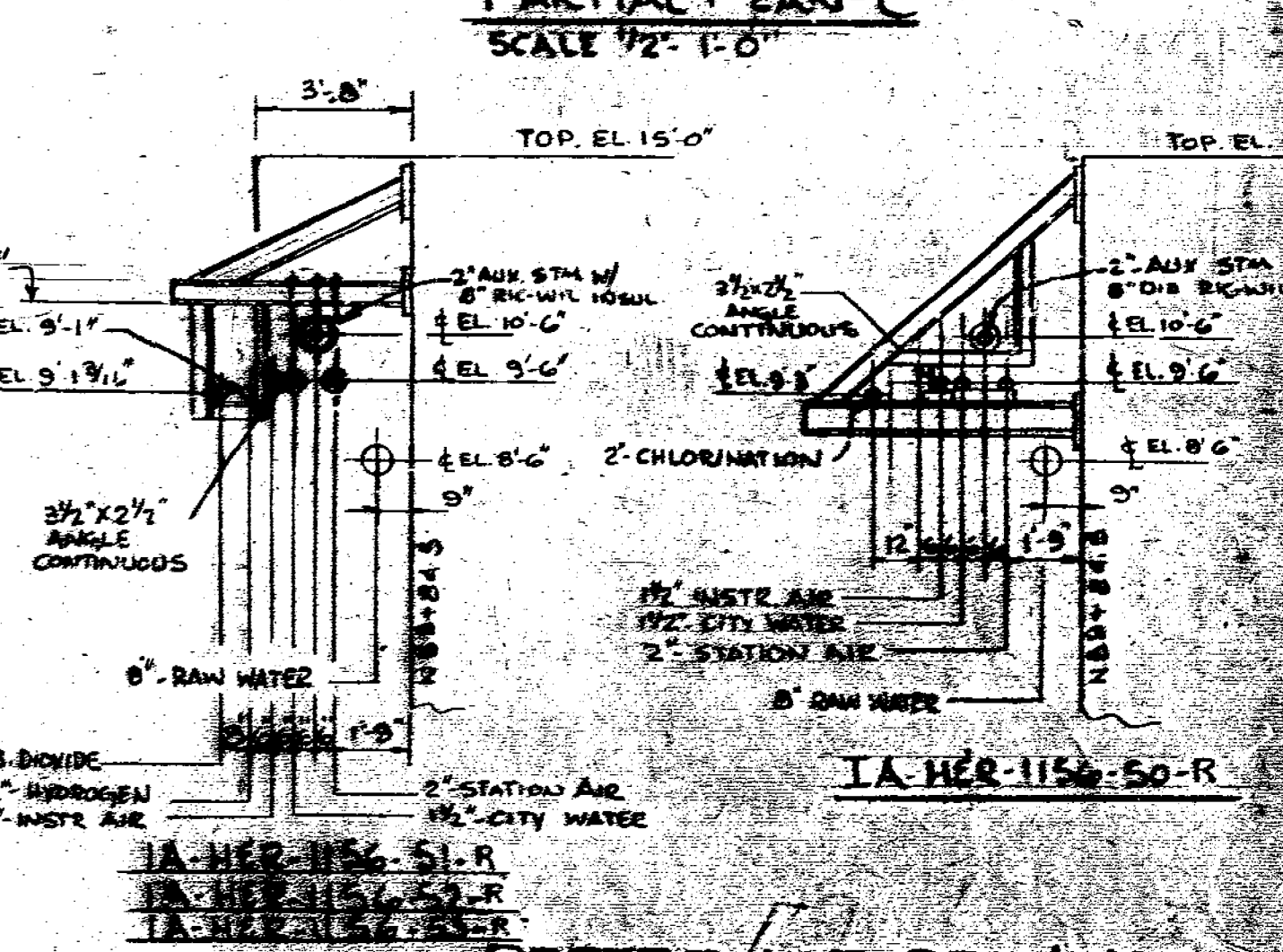
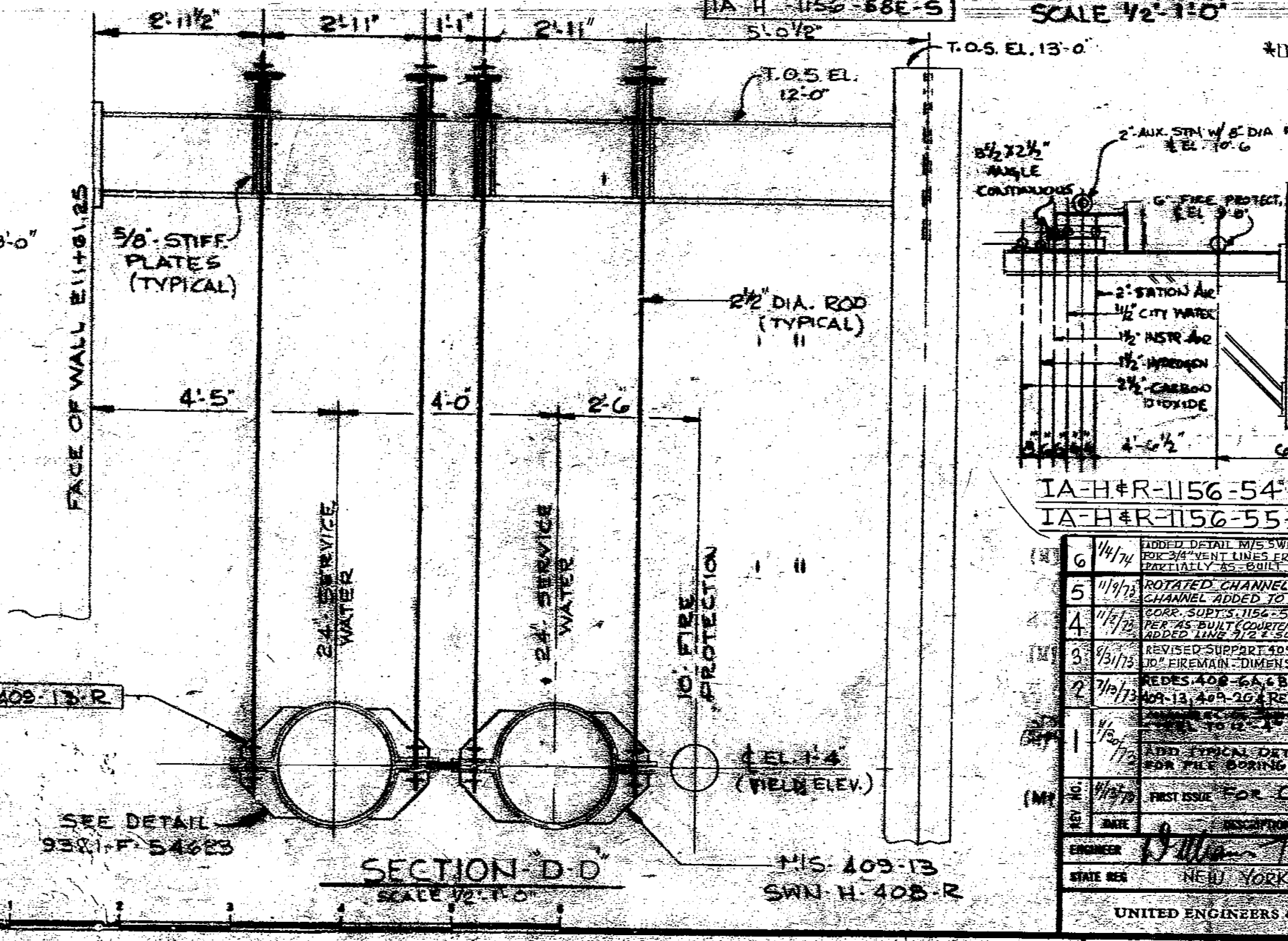
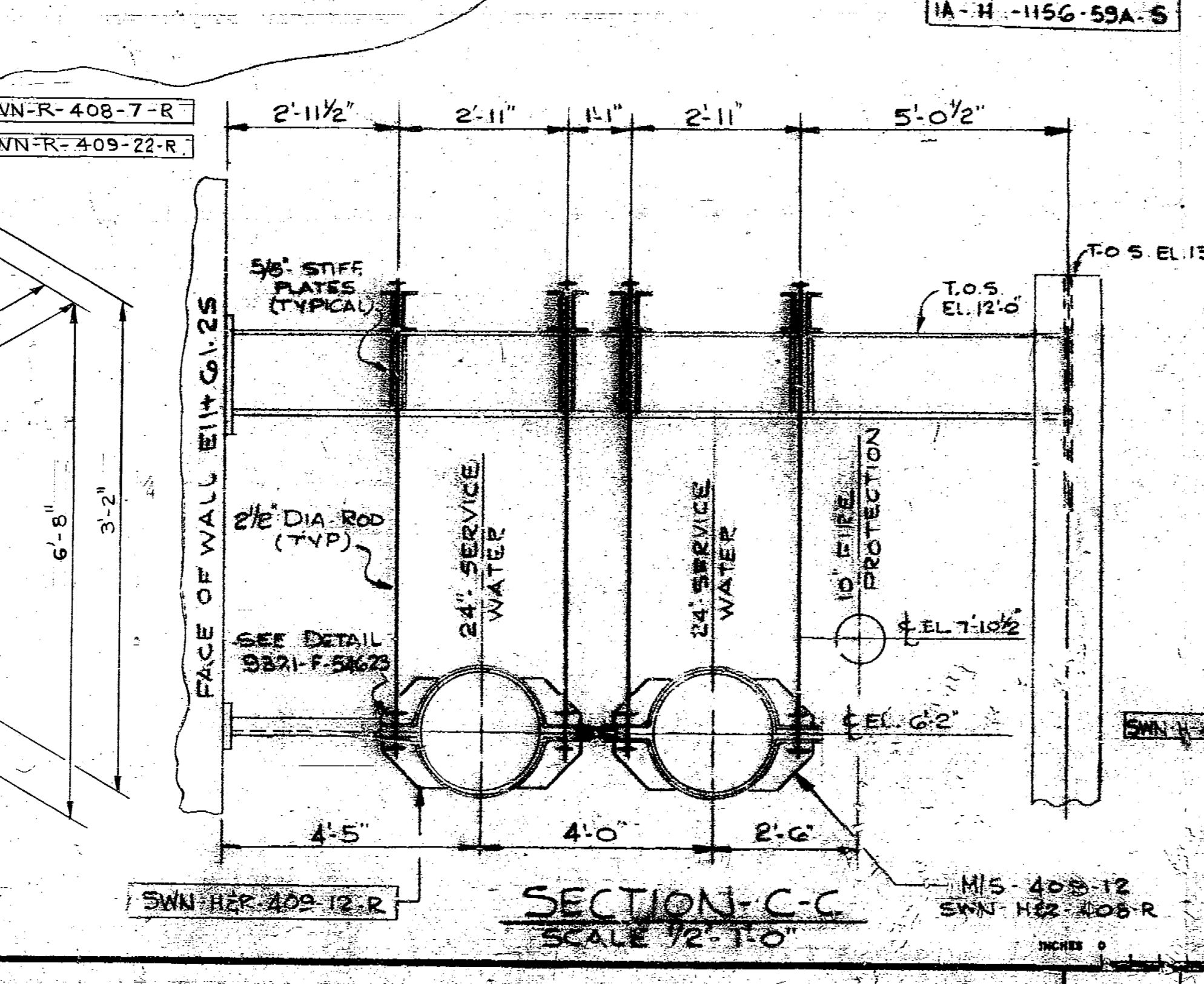
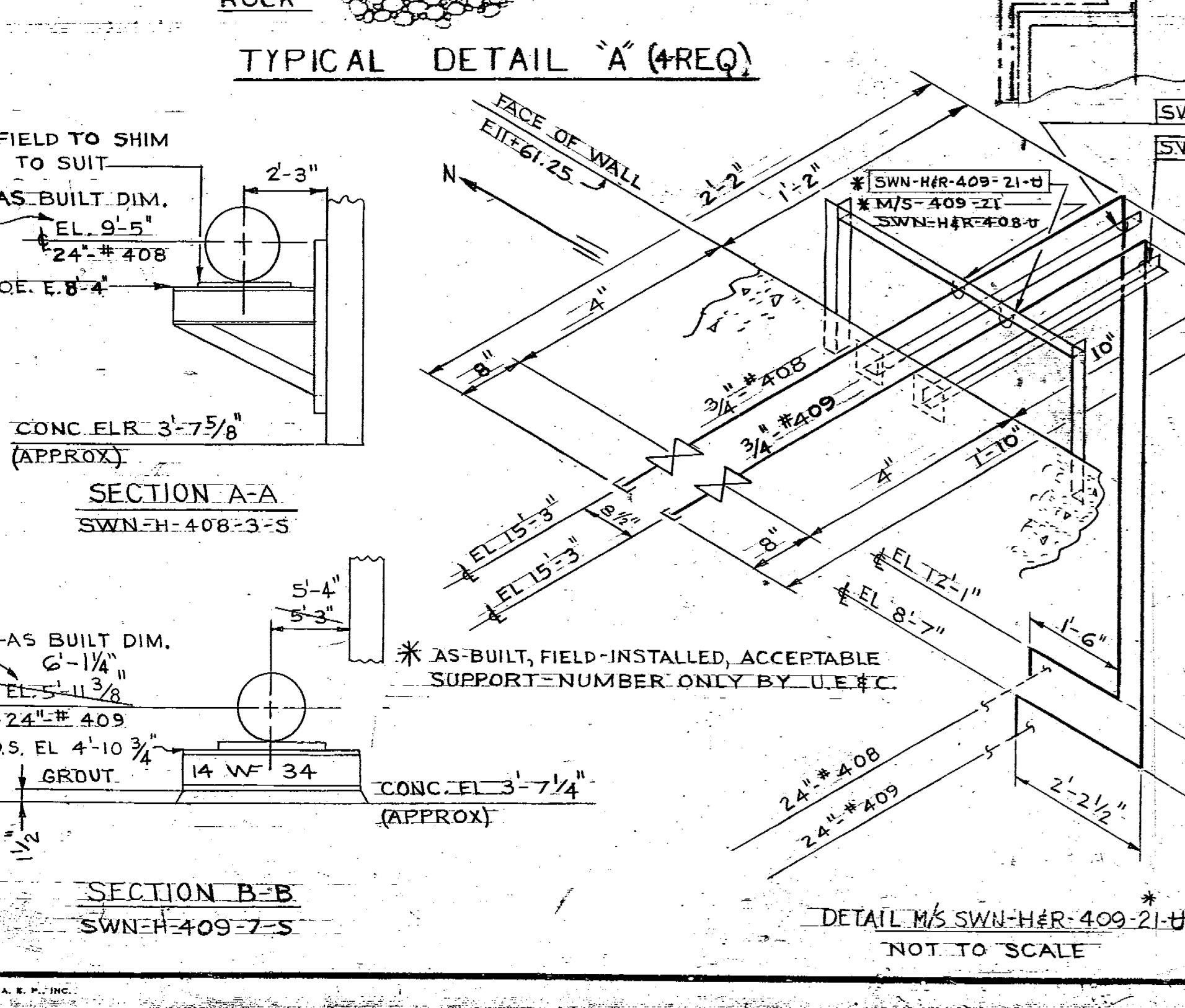
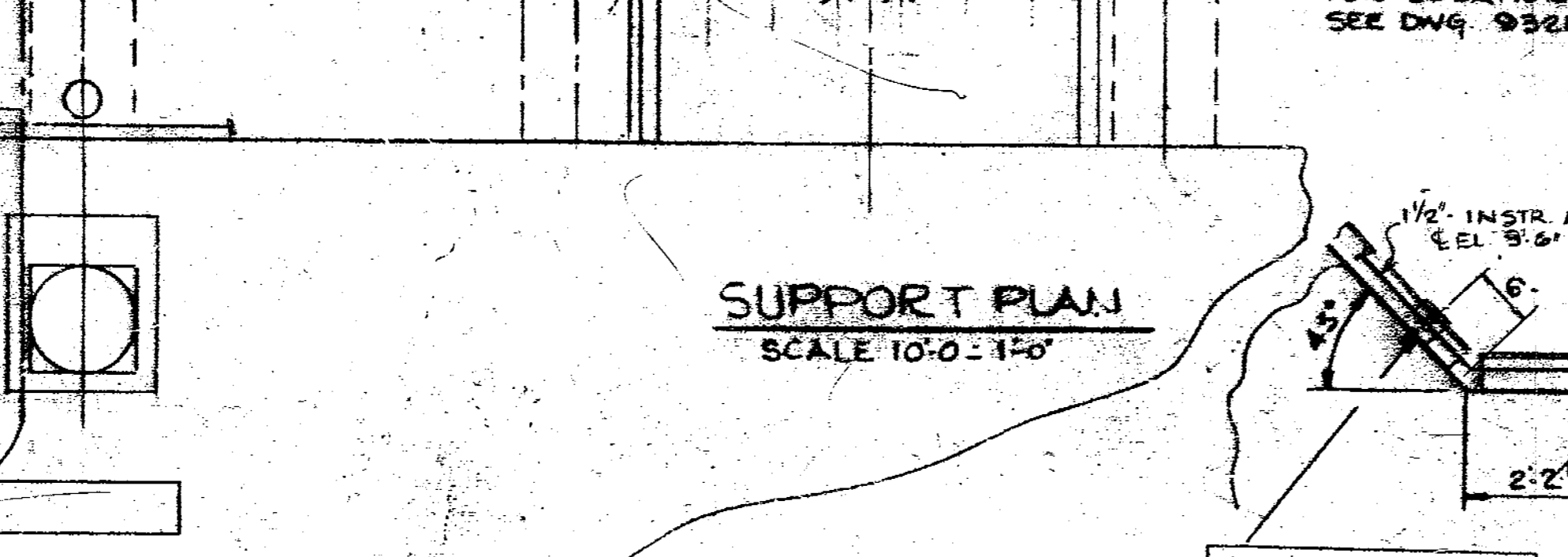
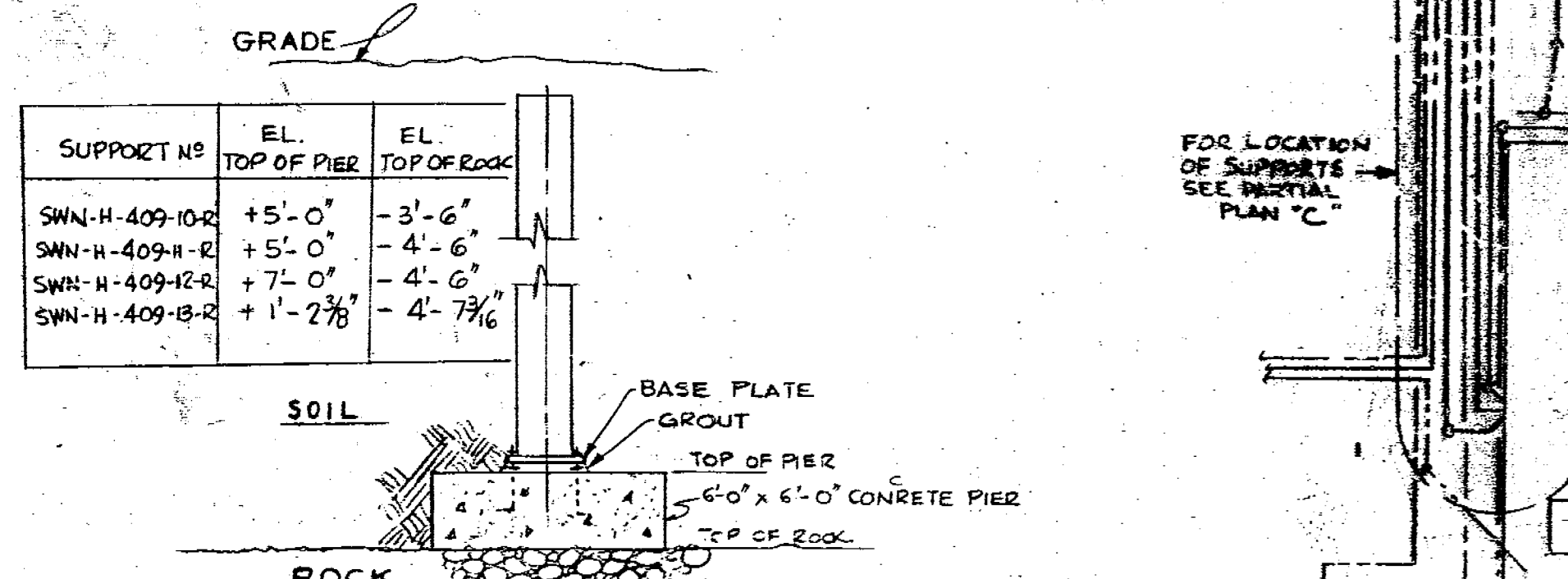
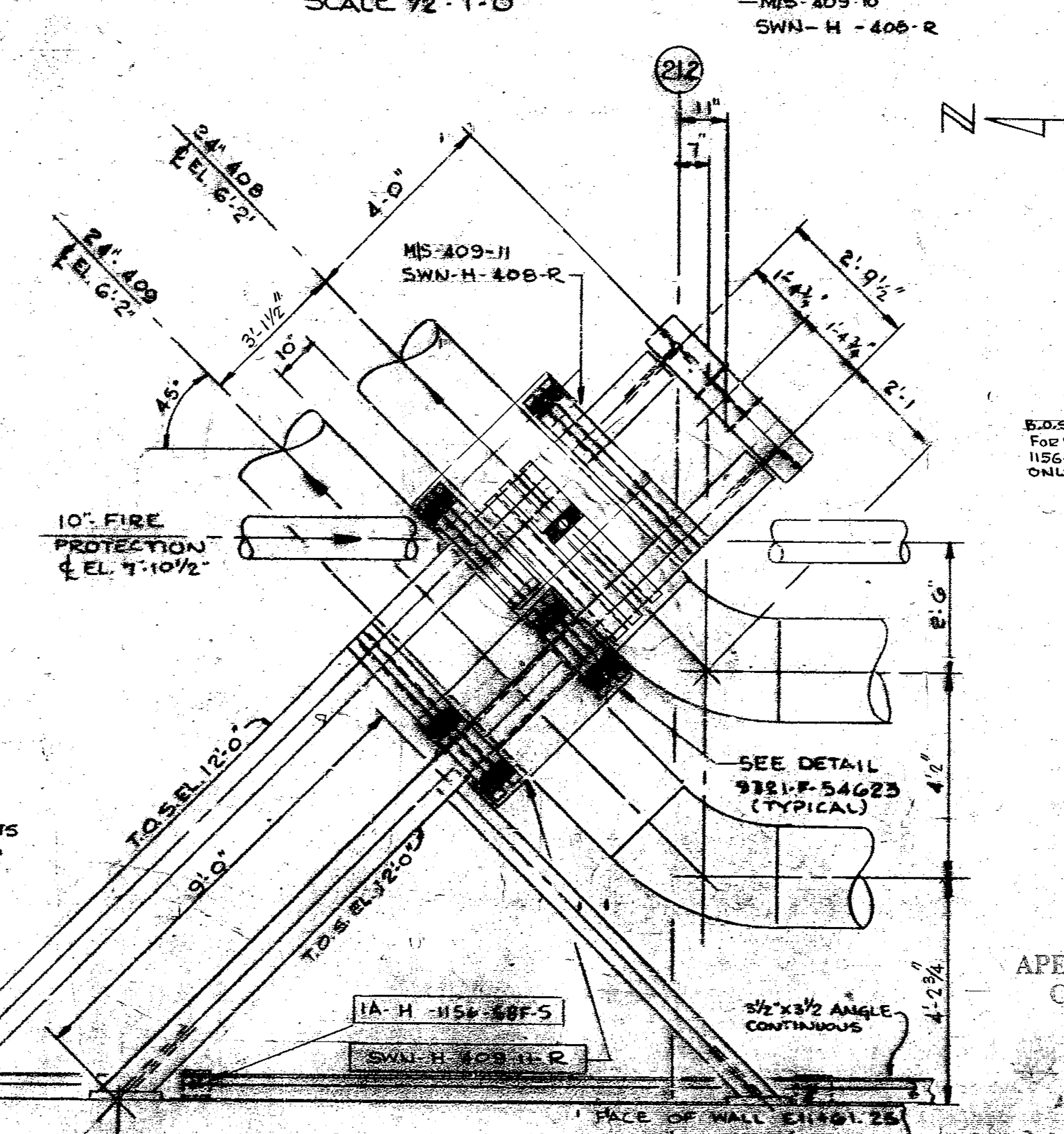
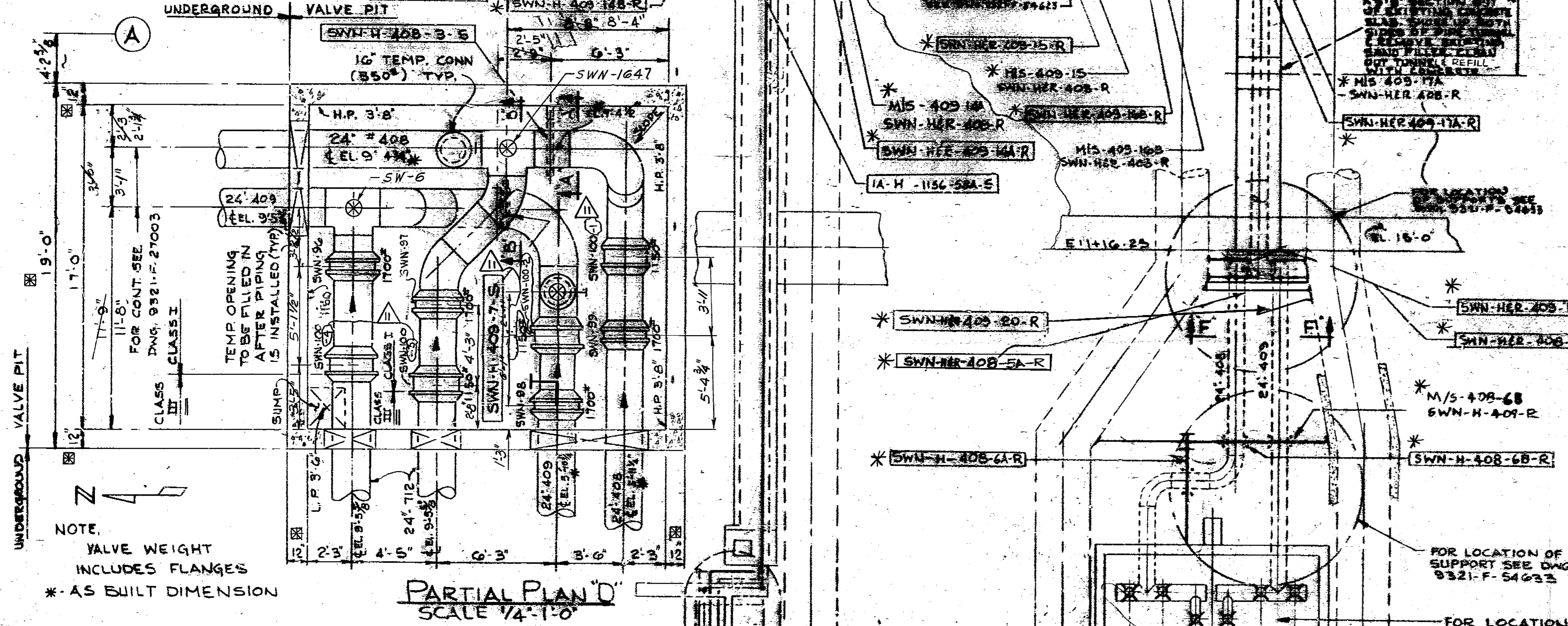
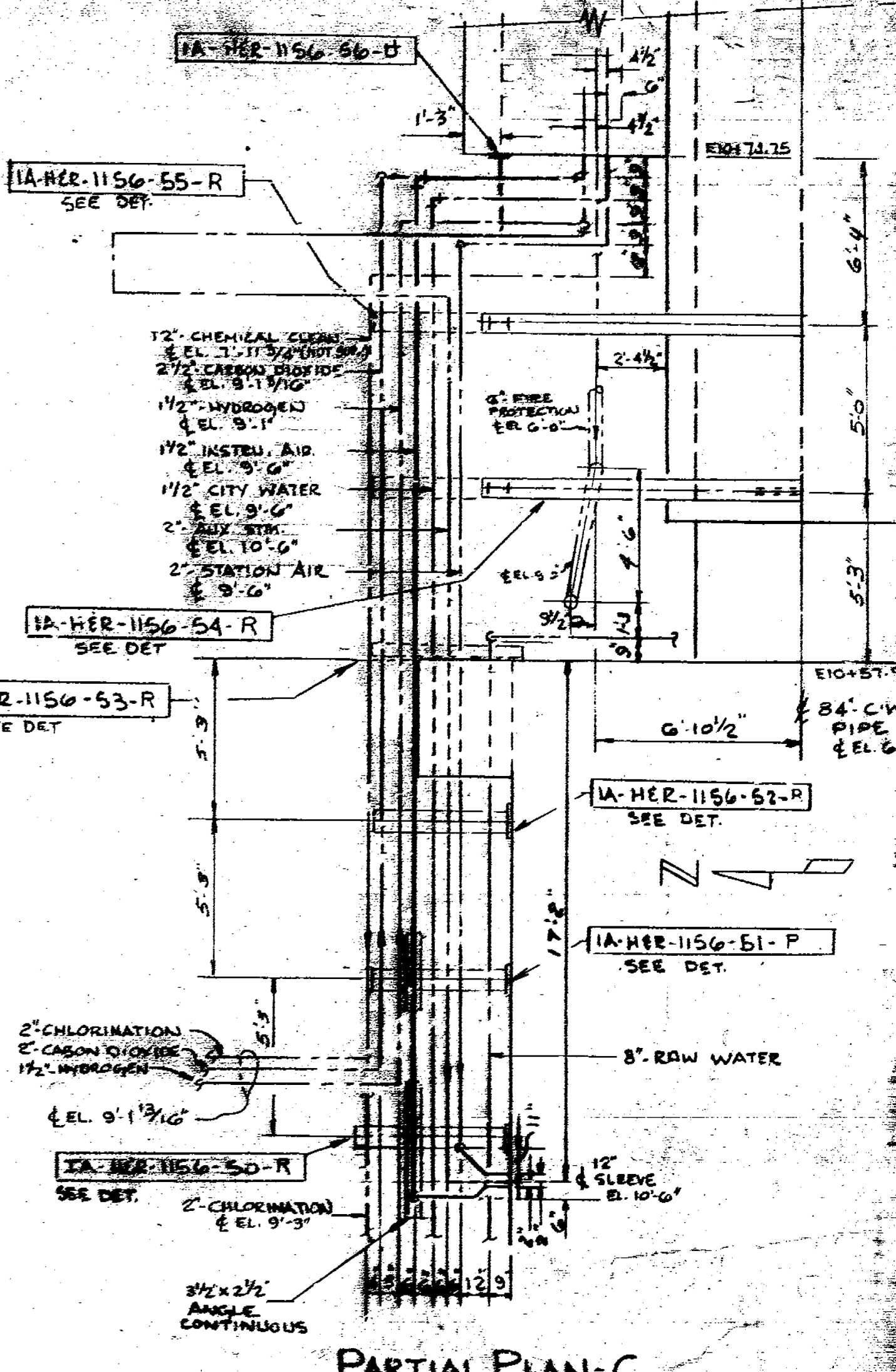
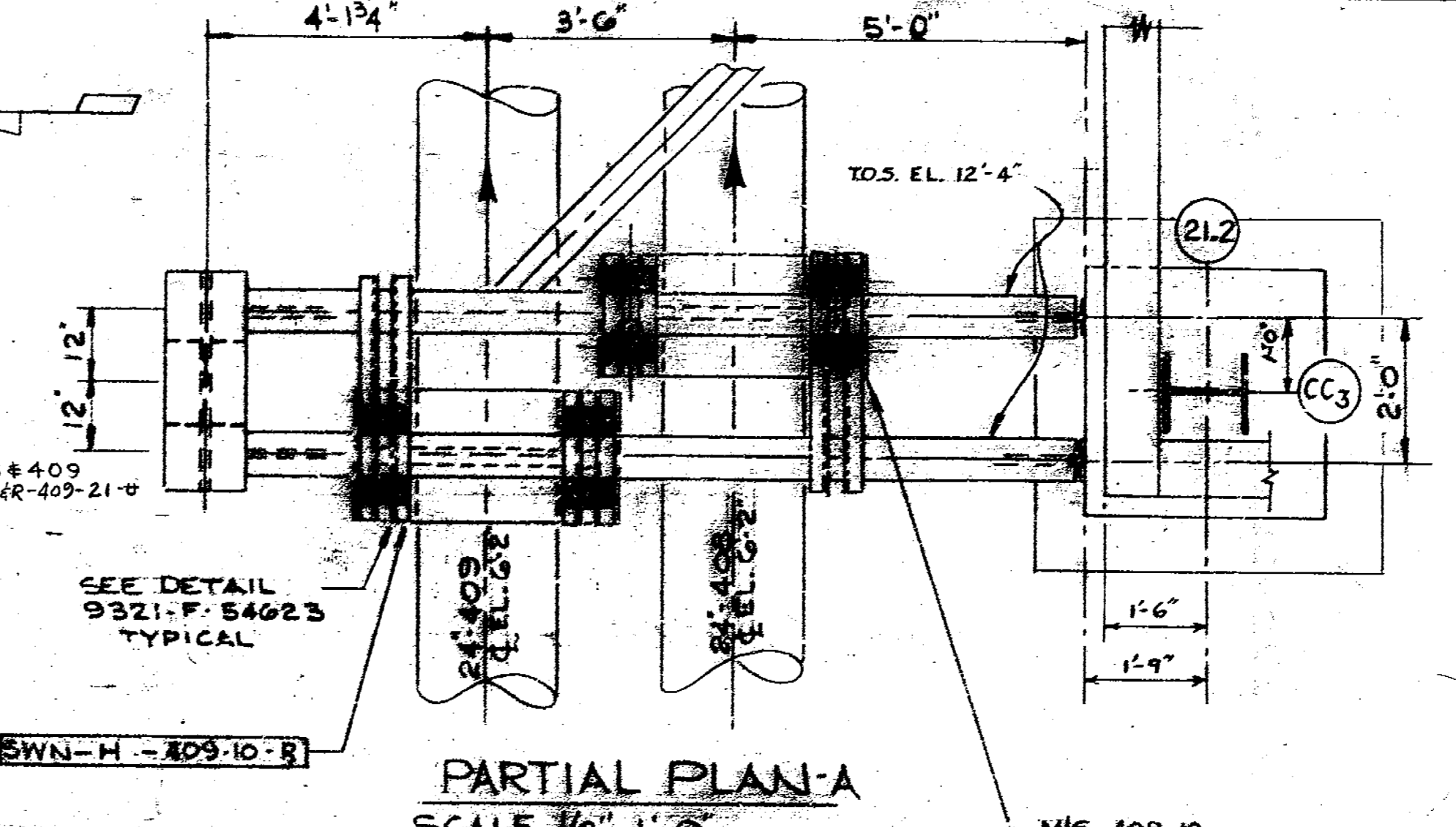
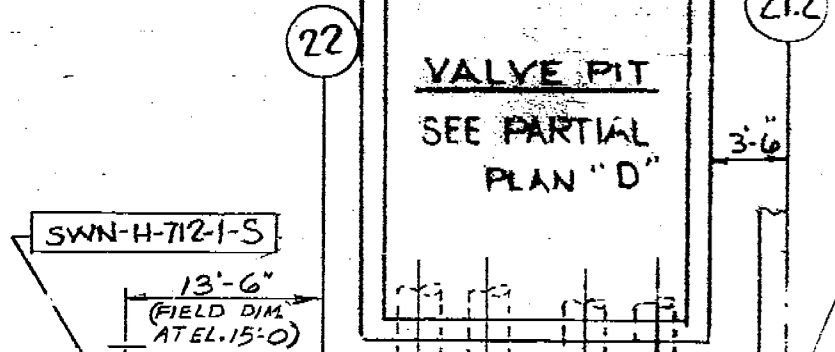
LINE NO.	DEAD WEIGHT	VERTICAL SETS	HORIZONTAL SETS
1/8" INSTR. AIR	410	320	485
1/4" CITY WATER	525	-	-
1/2" THROUGH	525	-	-

IA-H-1156-51-R

LINE NO.	DEAD WEIGHT	VERTICAL SETS	HORIZONTAL SETS
1/8" INSTR. AIR	410	320	485
1/4" CITY WATER	525	-	-
1/2" THROUGH	525	-	-
2" CHLORINATION	655	-	-
2" CHLORINATION	800	-	-
2" CHLORINATION	2340	-	-

IA-H-1156-51-R

LINE NO.	DEAD WEIGHT	VERTICAL SETS	HORIZONTAL SETS
1/8" INSTR. AIR	410	320	485
1/4" CITY WATER	525	-	-
1/2" THROUGH	525	-	-
2" CHLORINATION	535	-	-
2" CHLORINATION	2340	-	-



NOTES

- FIELD CHECKED ELEVATIONS ARE GIVEN WHERE KNOWN. ALL OTHERS DIMENSIONS ARE PER ORIGINAL DRAWINGS. SUPPORT POINT ELEVATIONS MUST BE ADJUSTED TO AGREE WITH NEW PIPE ELEVATIONS CAUSED BY SOIL SUBSIDENCE.
- ALL UNDERGROUND STRUCTURAL STEEL SHALL BE PAINTED WITH TWO COATS OF BITUMASTIC NR 505 AS MANUFACTURED BY KOPPER CO. SURFACE PREPARATION OF STEEL AND APPLICATION OF PAINT SHALL BE IN ACCORDANCE WITH MANUFACTURER'S PRINTED INSTRUCTIONS.
- CLEAN WIRE BRUSH PIPES TO BARE METAL AT CLAMP LOCATIONS BEFORE INSTALLATION.

WESTINGHOUSE ELECTRIC CORPORATION
 UNCONTROLLED YARD AREA
 DRAWING RESTRAINT & SUPPORT DESIGN
 Copy Date: 12/23/83
 Extended use of this drawing copy may result in subsequent design changes.
 INDIAN POINT GENERATING STATION
 UNIT NO. 3
 9321-F-54643-11 A 205364

9302170365