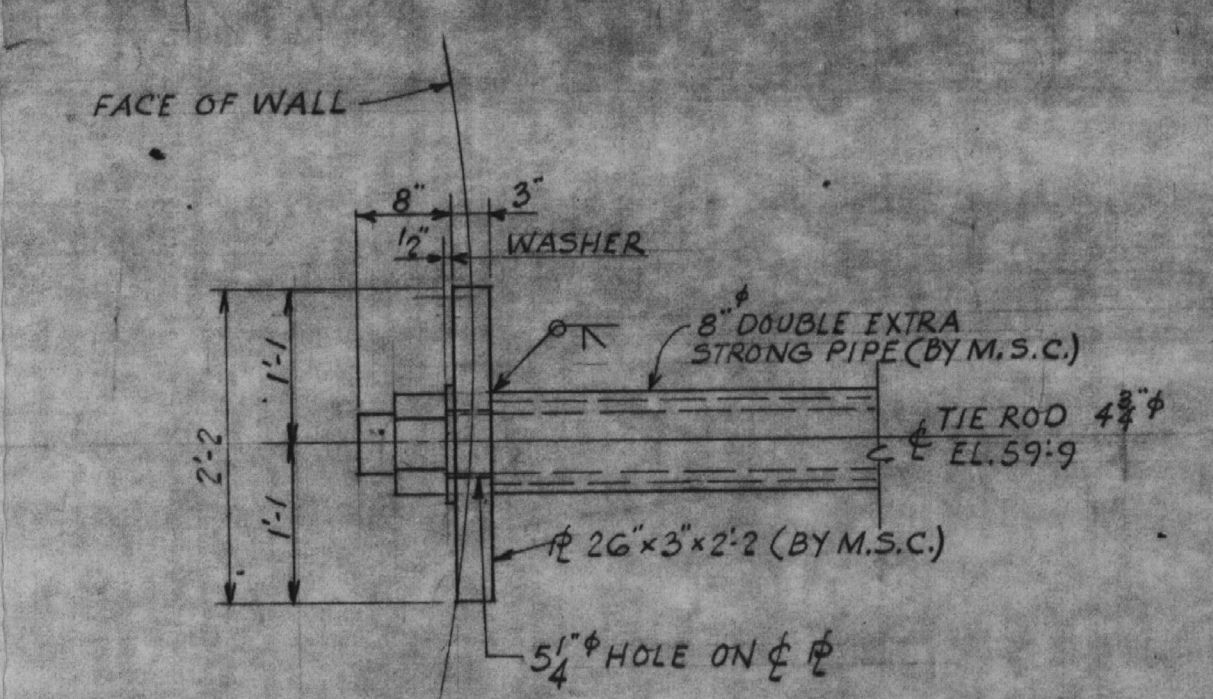
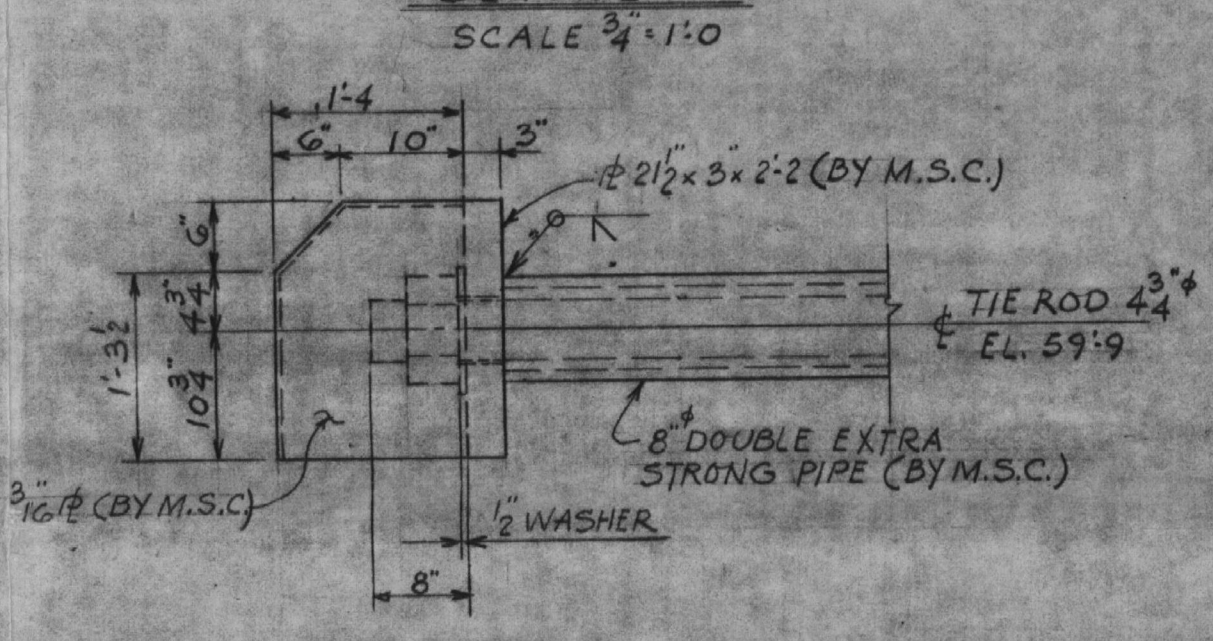


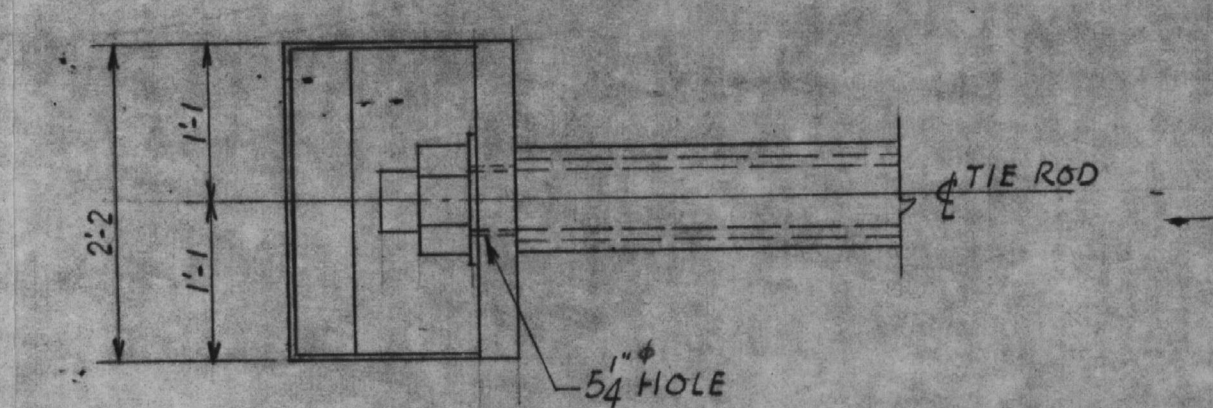
PLAN @ EL. 62.0
 SCALE 3/8" = 1'-0"



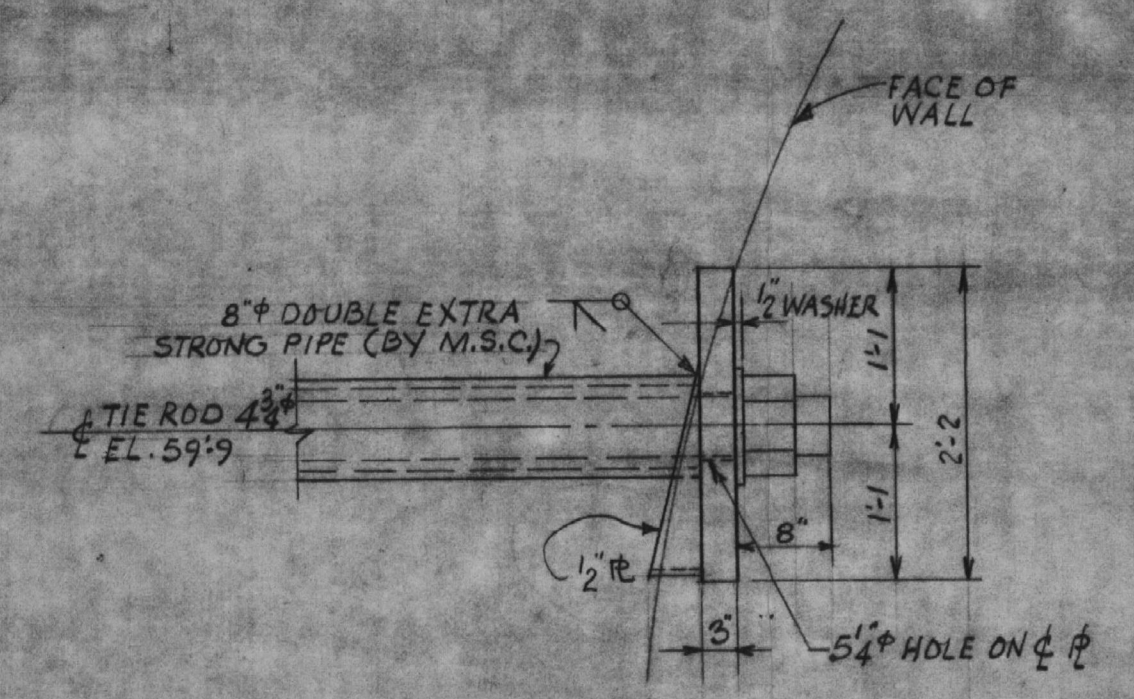
PLAN
 DETAIL 'K'
 SCALE 3/4" = 1'-0"



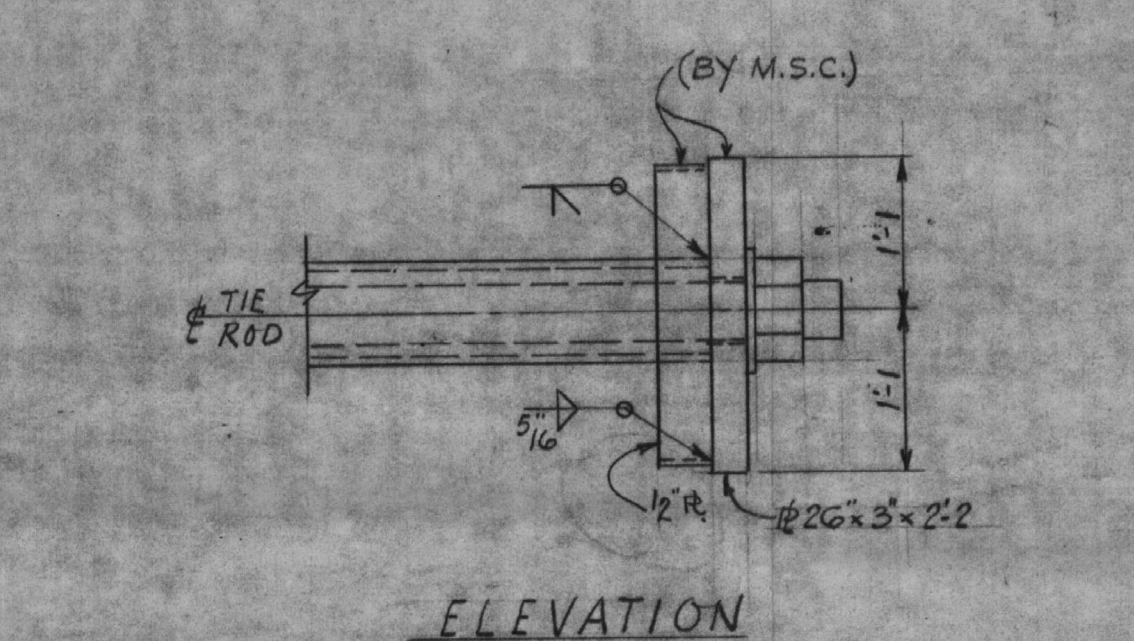
ELEVATION
 DETAIL 'F'
 SCALE 3/4" = 1'-0"



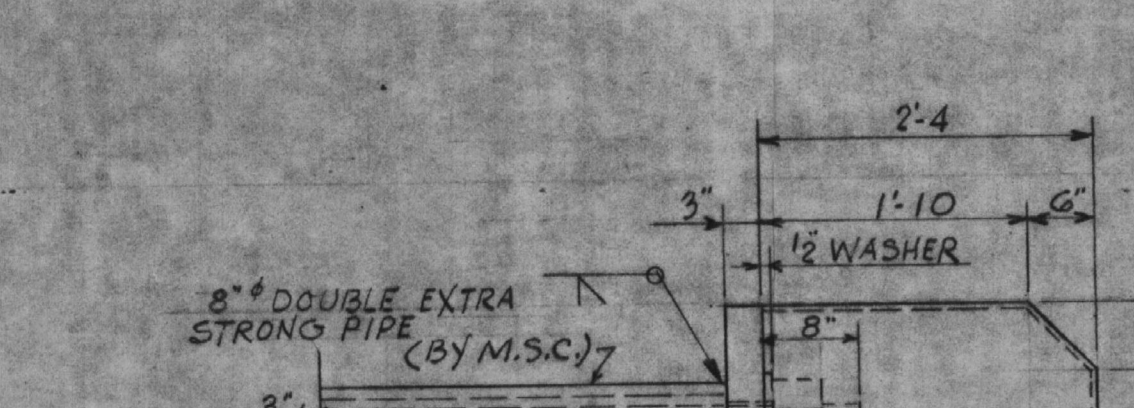
ELEVATION
 DETAIL 'G'
 SCALE 3/4" = 1'-0"



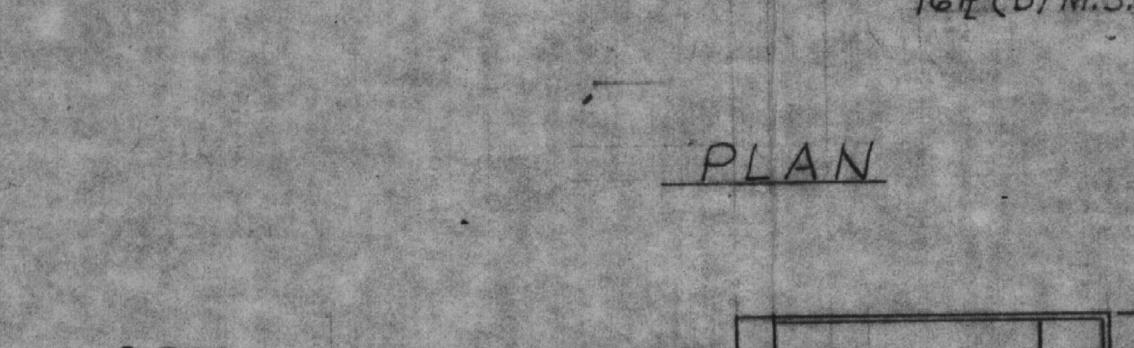
ELEVATION
 DETAIL 'H'
 SCALE 3/4" = 1'-0"



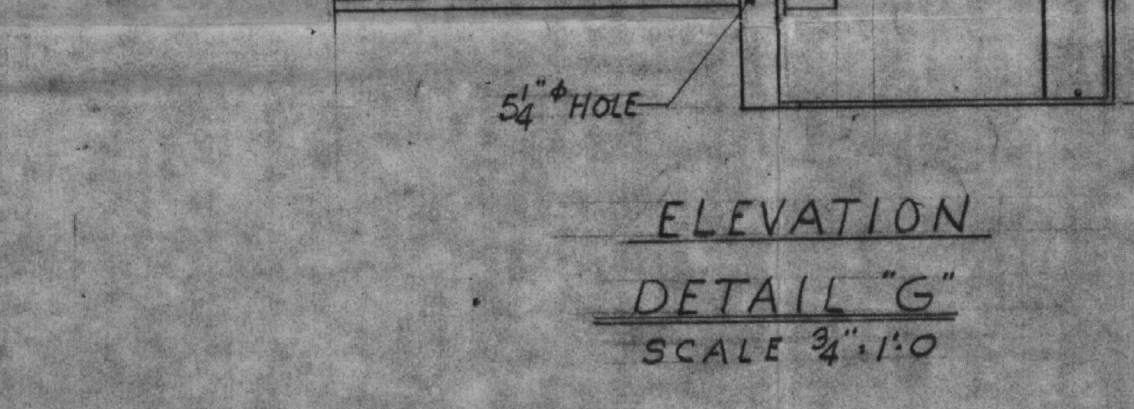
PLAN
 DETAIL 'H'
 SCALE 3/4" = 1'-0"



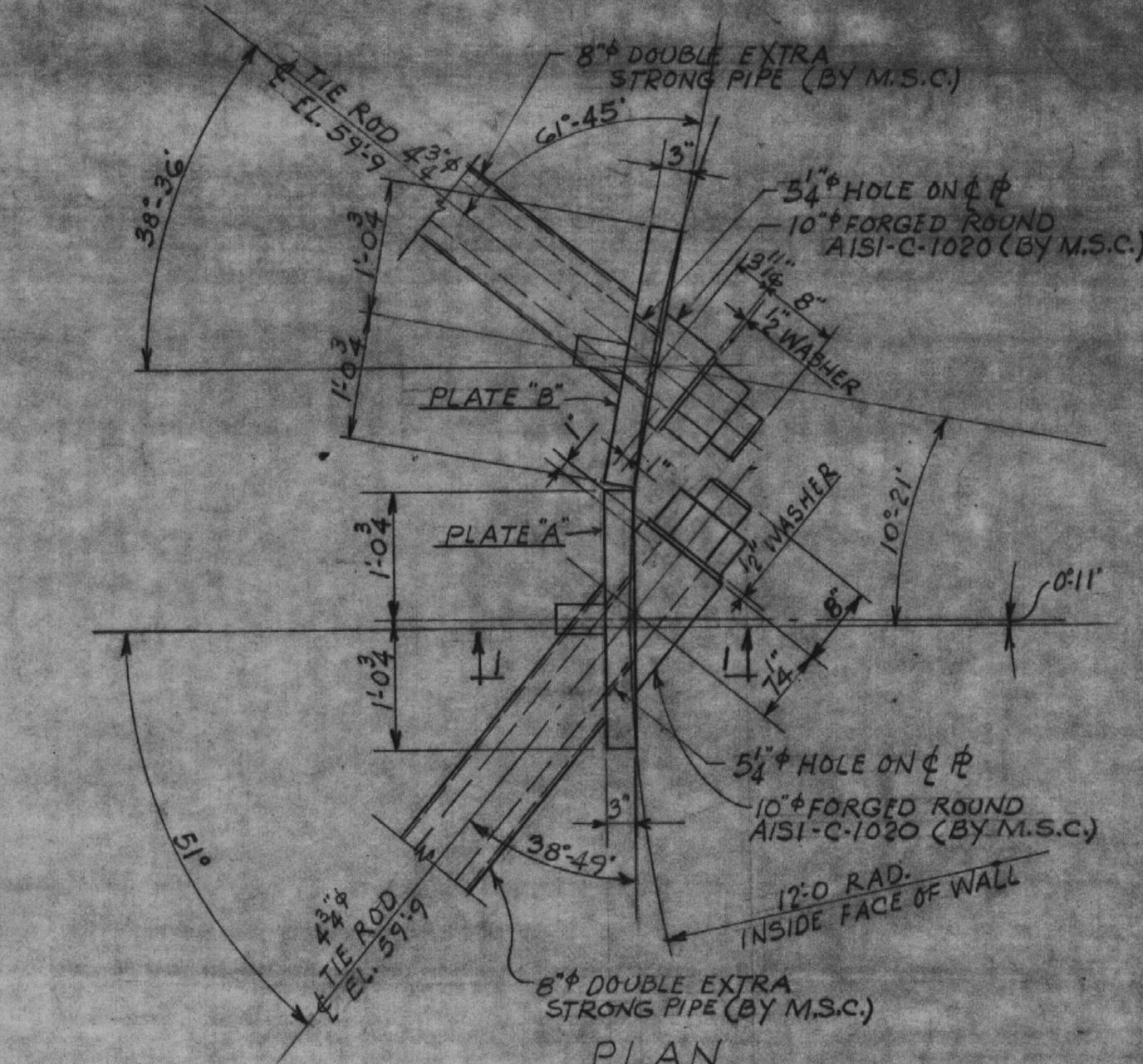
ELEVATION
 DETAIL 'G'
 SCALE 3/4" = 1'-0"



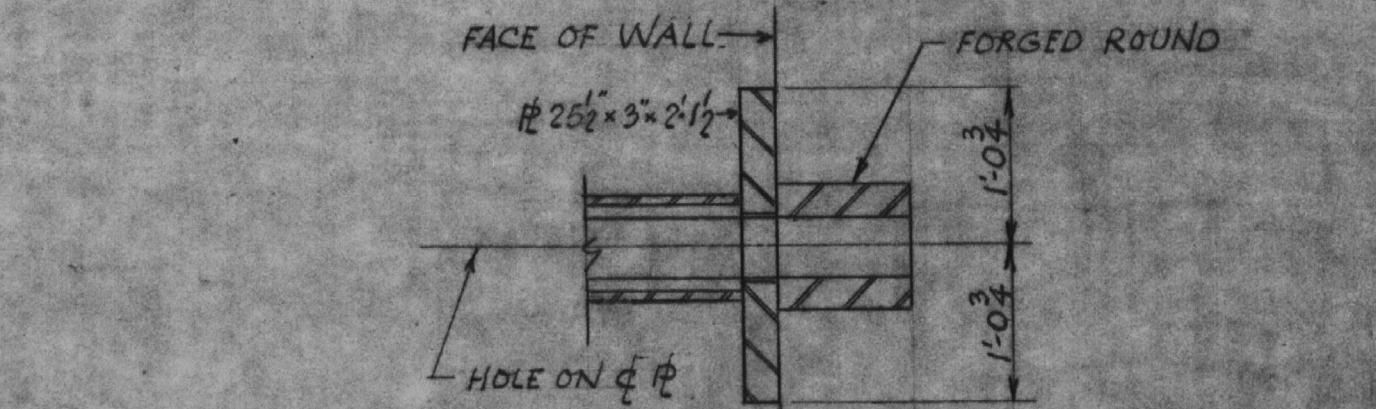
PLAN
 DETAIL 'G'
 SCALE 3/4" = 1'-0"



ELEVATION
 DETAIL 'G'
 SCALE 3/4" = 1'-0"



PLAN
 DETAIL 'J'
 SCALE 3/4" = 1'-0"



SECTION 1-1
 SCALE 3/4" = 1'-0"

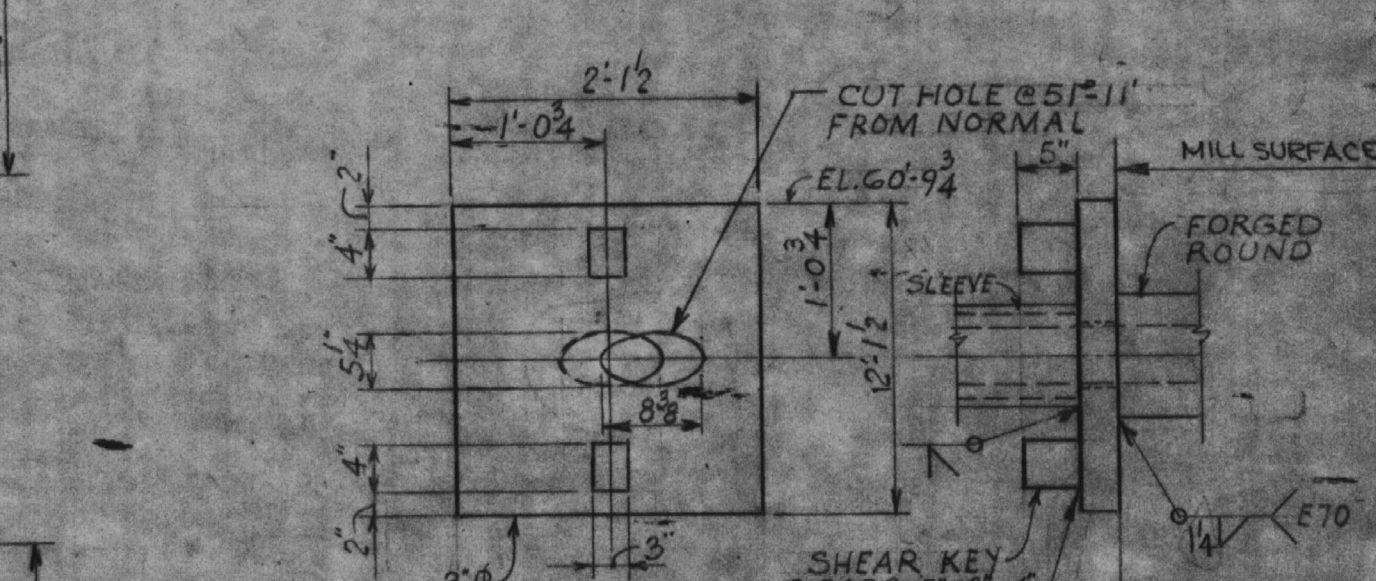


PLATE 'A'
 SCALE 3/4" = 1'-0"

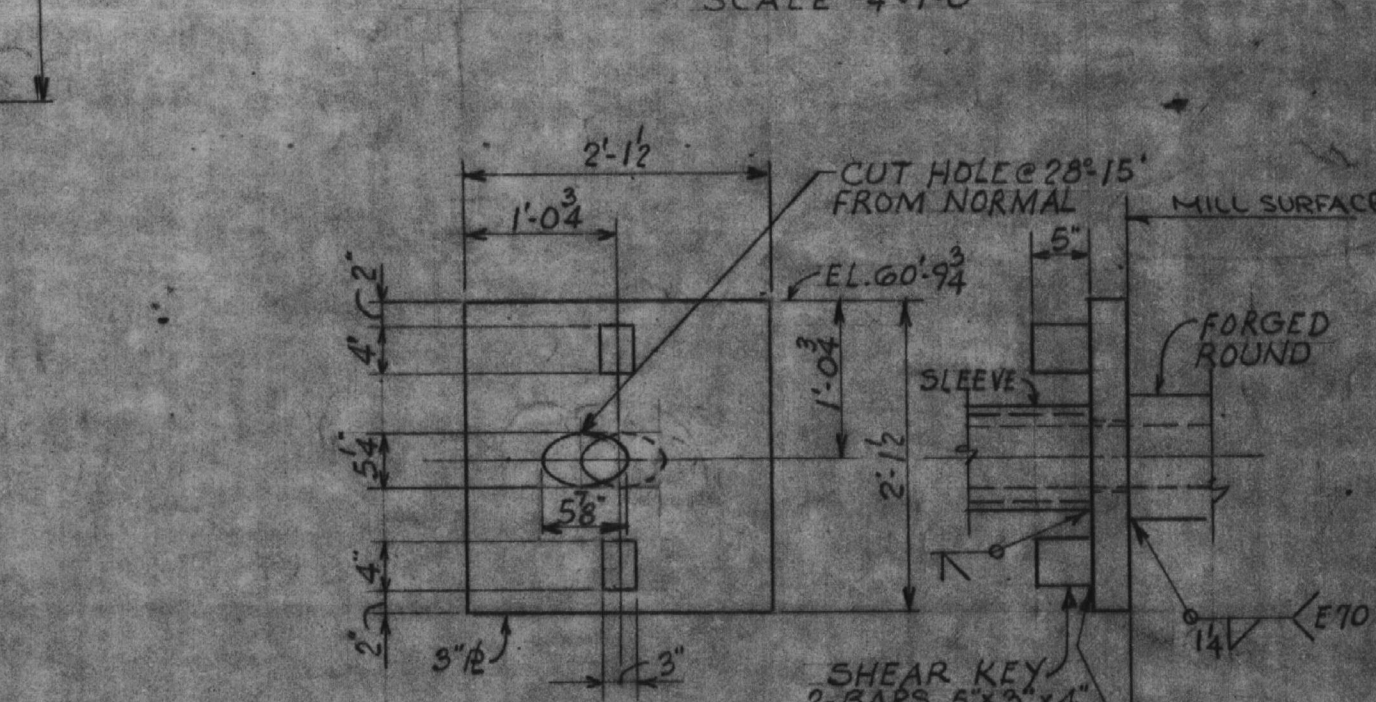


PLATE 'B'
 SCALE 3/4" = 1'-0"

REFERENCE DRAWINGS
 9321-F-112G CONTAINMENT-INTERIOR CONCRETE PLANS AT EL. 60.0 & 62.0
 9321-F-128B CONTAINMENT BUILDING-REACTOR COOLANT PUMP SUPPORTS, SHEET NO. 1

PRC APERTURE CARD
 TERA APERTURE CARD
POOR ORIGINAL

DATE	2/1/50	DESCRIPTION	Final Issue	ENGR	DBB
DATE	1/1/50	DESCRIPTION	ASSEMBLY DRAWING FOR TIE ROD SLEEVES & ANCHORS	ENGR	DBB
DATE	1/1/50	DESCRIPTION	FIRST ISSUE FOR CONSTRUCTION	ENGR	DBB
ENGR	J. E. McLaughlin				
STATE REG.	INDIAN POINT				
UNITED ENGINEERS & CONSTRUCTORS INC.					

WESTINGHOUSE ELECTRIC CORPORATION
 CONTAINMENT
 REACTOR COOLANT PUMP
 TIE ROD SLEEVES & ANCHORS
 FOR
 CONSOLIDATED EDISON COMPANY
 INDIAN POINT GENERATING STATION
 UNIT NO. 2
 U.E.C. DWG. NO. 9321-F-1089-2
 CON. ED. CO. DWG. NO. A 200 298

8110220610