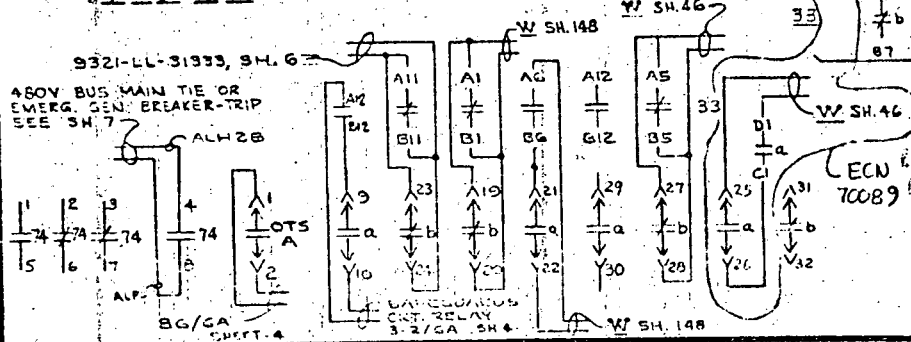


- NOTES**
- \*1 - WIRE DESIGNATIONS ARE TO BE PREFIXED WITH 15B-
  - \*2 - NUMBERS IN SQUARES REFER TO EQUIPMENT LOCATION. FOR LEGENDS SEE SH. 1
  - \*3 - FOR DEVICE 1-1/EG2 DEVELOPMENT SEE DEVICE 1/\*, SH. 3, 9321-LL-31173
  - \*4 - FOR DEVICES 52b/3AT6A & 52H/3AT6A SEE SH. 12
  - \*5 - FOR DEVICES 32H/6A & 52b/6A SEE SH. 15
  - \*6 - FOR DEVICES 27-6A/X3 & 8G/6A SEE SH. 4
  - \*7 - FOR DEVICES 1-2/EG2 (BCS-EG2), 5S-EG2, 8G/EG2, 27X1/EG2 (CVX2), K1/EG2, & RSTR/EG2 SEE U.E. & C. F.P. 9321-05-3445
  - \*8 - LETTER (A) ETC. REFERS TO CABLE SCHEMATIC, SH. 17A
  - \*9 - CONTACT (RSTR/EG2) RELAY NOT USED
- W SH. INDICATES WESTINGHOUSE DWG. 500B971. (U.E. & C. F.P. 9321-05-3307) SH. NUMBER.



BREAKER 52/EG2 EMERGENCY GENERATOR 32			
WESTINGHOUSE ELECTRIC CORPORATION FOR CONSOLIDATED EDISON COMPANY INDIAN POINT GENERATING STATION - UNIT NO. 3			
SCHEMATIC DIAGRAM 480V. SWITCHGEAR 32			
SHEET NO. 17			
U.E. & C. DWG. NO.		CON. ED. CO. DWG. NO.	
9321-LL-31183		D202470	
6	25	REVISIONS	DATE
5	15	PREVIOUS REVISIONS RETAINED VIA	
4	10	CH. 11A IN FILE NUMBER 70089	
3	5	FIRST ISSUE FOR CONSTRUCTION	
2	1	DATE	DESCRIPTION
1		ENGR	SUP ENGR
ENGINEER <i>P. Kolman</i>			
STATE REG. NEW YORK NO. 42153			
UNITED ENGINEERS & CONSTRUCTORS INC.			

81110 30085

