

DEV. 43 MAINTAINED EXF POSITION

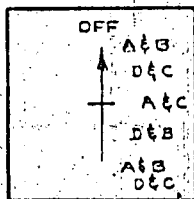
CONTACT	POSITION						REF. DWG.
	O	A	D	A	O	A	
	R	G	C	C	B	B	
A11-B11						X	# 4
A12-B12	X						SH.10
A1-B1		X					# 5
A2-B2			X				SH.10
A3-B3				X			# 4
A4-B4					X		SH.10
A5-B5						X	# 4
A6-B6	X						SH.13
A7-B7		X					# 5
A8-B8			X				SH.13
A9-B9				X			# 5
A10-B10					X		SH.13
C11-D11						X	SH.13
C12-D12	X						SH.10
C1-D1		X					SH.13
C2-D2			X				SH.10
C3-D3				X			SH.13
C4-D4					X		# 5
C5-D5						X	SH.10
C6-D6	X						SH.13
C7-D7		X					# 5
C8-D8			X				SH.10
C9-D9				X			SH.13
C10-D10					X		SH.10
E11-F11						X	SH.13
E12-F12	X						
E1-F1		X					
E5-F5						X	
E6-F6	X						
E7-F7		X					

A - EXHAUST FAN 31  
 B - P.A. BLD'G. SUPPLY FAN  
 C - C.B. PURGE FAN  
 D - EXHAUST FAN 32

DEV. 43 TYP. FOR AFI SH. 11 AND AF3 SH. 16

CONTACT	POSITION	
	R	L
A11-B11		X
A12-B12	X	
A1-B1		X
A2-B2	X	
A3-B3		X
A4-B4	X	
A5-B5		X
A6-B6	X	
A7-B7		X
A8-B8	X	
A9-B9		X
A10-B10	X	
C11-D11		X
C12-D12	X	
C1-D1		X
C5-D5	X	
C6-D6		X
C7-D7	X	

TRANSFER SWITCH REMOTE LOCAL



DEV. 1-2/ABFP2

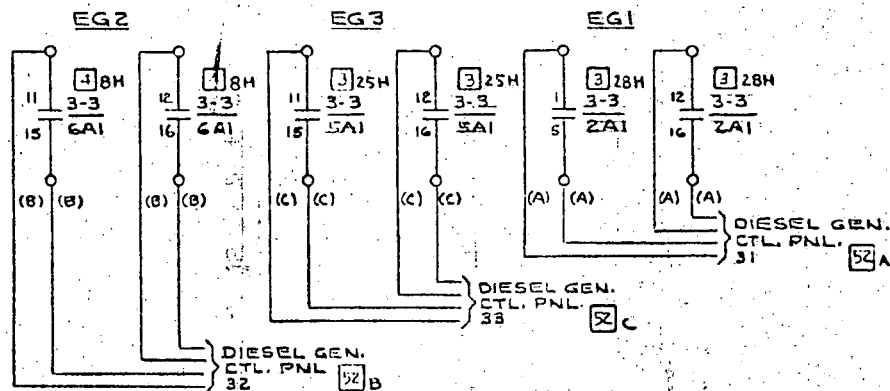
CONTACT BLOCK	CIRCUIT POSITION	
	L	R
1st. BLOCK (FRONT) TYPE OT2M		
2nd. BLOCK TYPE OT2N		
3rd. BLOCK TYPE OT2M		

AUTO TRIP ON OPERATOR OT2S6M 3 POSITION MAINTAINED

DEV. 1-1/ABFP2

CONTACT BLOCK	CIRCUIT POSITION	
	L	R
1st. BLOCK (FRONT) TYPE OT2M		
2nd. BLOCK TYPE OT2N		

AUTO TRIP ON OPERATOR OT256M 3 POSITION MAINTAINED



NOTES

- \*1 - NUMBERS IN SQUARES REFER TO EQUIPMENT LOCATIONS. FOR LEGENDS SEE SH. 1
- \*2 - FOR EMERGENCY DIESEL GENERATORS AUTO-START SCHEMATIC SEE U.E. & C. P. 9321-05-3445
- \*3 - FOR DEVICE 3-3/6A SEE SH. 4. FOR DEVICE 3-3/5A SEE 9321-LL-31173, SH. 5. FOR DEVICE 3-3/2A SEE 9321-LL-31173, SH. 6
- \*4 - 9321-LL-31273, SH. 6
- \*5 - 9321-LL-31273, SH. 7
- \*6 - LETTER (A) ETC. REFERS TO CABLE SCHEMATIC, SH. 6A.

EGI, EG2, & EG3 AUTO-START CIRCUITS

NO.	DATE	DESCRIPTION	ENGR	SUP ENGR
4	3-4-71	REV'D DEV. 1-1/ABFP2 (REV'D DEV. 1-2/ABFP2)		
3	5-5-71	REV. DEV. 1-1/ABFP2		
2	8-3-71	ADDED CABLE LETTERS & NOTATIONS		
1	11-16-70	ADDED EG VIB LOCATION		
1	11-4-70	FIRST ISSUE FOR CONSTRUCTION		

ENGINEER *W. H. ...* *P. Robinson*

STATE REG. NEW YORK NO. 32453

UNITED ENGINEERS & CONSTRUCTORS INC.

WESTINGHOUSE ELECTRIC CORPORATION  
 FOR CONSOLIDATED EDISON COMPANY  
 INDIAN POINT GENERATING STATION - UNIT NO. 3

SCHEMATIC DIAGRAM  
 480V. SWITCHGEAR 32

SHEET NO. 6

U.E. & C. DWG. NO. 9321-LL-31183  
 CON. ED. CO. DWG. NO. D202470

6246

811030079

