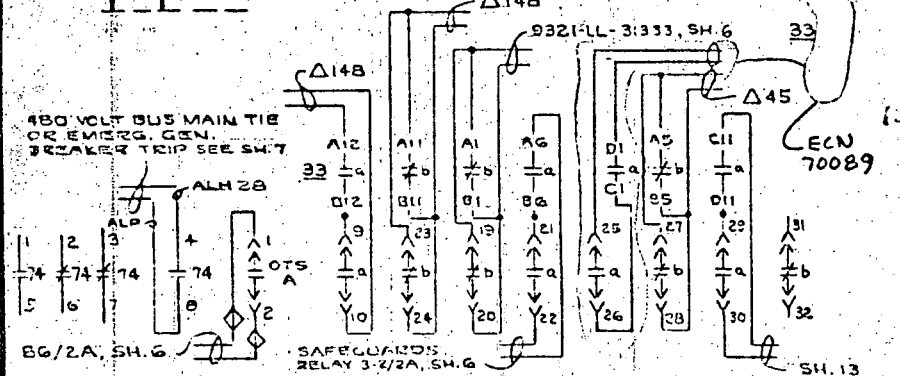
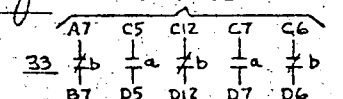


- NOTES**
- \*1- WIRE DESIGNATIONS ARE TO BE PREFIXED WITH 298-
  - \*2- NUMBERS IN SQUARES REFER TO EQUIPMENT LOCATION. FOR LEGENDS SEE SH. 1
  - \*3- FOR DEVICE 1-1/EGI DEVELOPMENT SEE DEVICE 1/\*, SH. 3
  - \*4- FOR DEVICES 52b/2ATSA & 52H/2A SEE SH. 1
  - \*5- FOR DEVICES 52b/2A & 52H/2A SEE SH. 1B
  - \*6- FOR DEVICES 55/EGI 1-2/EGI (BCS-EGI), EG/EGI 27X1/EGI (CVX2), RSTR/EGI & K1/EGI SEE U.E. & C. F.P. 9321-C5-3445.
  - \*7- FOR DEVICES 27-2A/12 & 8G/2A SEE SH. 6
  - \*8- LETTER(A) ETC. REFERS TO CABLE SCHEMATIC SH. 14A
  - Δ- INDICATES W DWG. 500971, (U.E. & C. F.P. 9321-C5-3307) SHEET NUMBER.
  - \*9- CONTACT (RSTR/EGI RELAY, NOT USED)



1	27	REVERSED CONTACT LOG. DEVICE 1-1/EGI & 50/EGI ALSO REVISED AS PER ECN 70089		
6	25			
7	25			
5	24	REVISED FUSE RATINGS & DWG. NO. W.P. ADDED CABLE LETTERS		
4	3	REVISIONS & CABLE LETTERS		
3	2	DEV. 1-1/EGI WAS 1-1/EG1 AT CONTACT 51-1-1		
2	3	ADD O CABLE LETTERS & NOTICE		
1	1716-70	REVISION DWG. NO. 2; ADD WIRE SYMBOLS & CELL NOS		
1	15-70	FIRST ISSUE FOR CONSTRUCTION		
DATE		DESCRIPTION	ENGR	SUP ENGR
ENGINEER	<i>William P. Robinson</i>			
STATE REG. NEW YORK	NO. 42453			
UNITED ENGINEERS & CONSTRUCTORS INC.				

BREAKER 52/EGI EMERGENCY GENERATOR 31	
WESTINGHOUSE ELECTRIC CORPORATION FOR CONSOLIDATED EDISON COMPANY INDIAN POINT GENERATING STATION - UNIT NO. 3	
SCHEMATIC DIAGRAM 480V. SWITCHGEAR 31	
SHEET NO. 14	
U.E. & C. DWG. NO.	CON. ED. CO. DWG. NO.
9321-LL-31173	D 202469.

6246

8111030069

