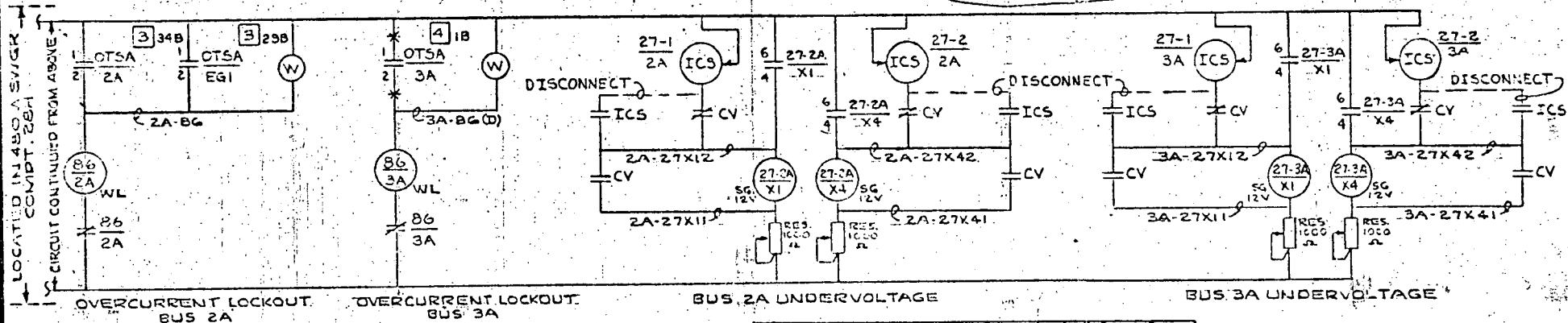


PER ITEM 2 OF EUP 367



- NOTES**
- NUMBERS IN SQUARES REFER TO EQUIPMENT LOCATION; FOR LEGENDS SEE SH. 1
 - FOR DEVICES 74/2A, 3-1/2A, 3-1/3A, SI/2A, 3-2/2A, 3-2/3A, 27-2A/X2, 27-2A/X3, 27-3A/X2, 27-3A/X3, 3-2/2A, 3-2/3A, 86/2A, 86/3A, 27-2A/X1, 27-3A/X1, 27-2A/X4, 27-3A/X4, & 3-5/2A SEE SH. 4
 - FOR DEVICES 27-1/2A, 27-2/2A, 27-1/3A & 27-2/3A POT. CONNECTION SEE SH. 2
 - FOR DEVICES SI/TRAIN 1 & SI/TRAIN 2 SEE W. DWG. 113E303, SH. 4 (U.E. & C. F.P. 9321-05-3642)
 - FOR DEVICES OTSA/2A SEE SH. 1B
FOR DEVICES OTSA/3A SEE 9321-LL-31103, SH. 7
 - FOR DEVICES 1-2/EG1, 1-1/EG1, 52H/EG1, 52A/EG1, & OTSA/EG1, SEE SH. 14
 - LETTER (A) ETC. REFERS TO CABLE SCHEMATIC, SH. 6A

NO.	DATE	DESCRIPTION	ENGR	SUP ENGR
6	11-74	REVISED PER ITEM 2 OF EUP 367		
5	11-73	ECN 700 BB TRAIN 1 & TRAIN 2 WERE INTERCHANGED		
4	7-71	REV. KEYS CONTACT NOS. WIRING NOS. TRAIN NOS. ADDED CABLE LTRS.		
3	3-71	REV. CABLE POS. & LTRS. BE SIGNED & 2111-831 WAS ER. (NOTE: 2111-831 WAS REV. 22-11-70)		
2	3-71	ADDED CABLE LTRS. & NOTES TO 22-11-70		
1	11-70	REVISED NOTE 4; ADDED WIRING NOS. & CABLE NOS. & WIRING LOC. NOS.		
0	11-70	FIRST ISSUE FOR CONSTRUCTION		

ENGINEER: *William P. Hartman*
STATE REG. NEW YORK NO. 42453
UNITED ENGINEERS & CONSTRUCTORS INC.

BUS 2A & 3A INTERLOCKING RELAYS

WESTINGHOUSE ELECTRIC CORPORATION
FOR
CONSOLIDATED EDISON COMPANY
INDIAN POINT GENERATING STATION - UNIT NO. 3

SCHEMATIC DIAGRAM
480V. SWITCHGEAR 31

SHEET NO. 6

U.E. & C. DWG. NO. 9321-LL-31173
CON. ED. CO. DWG. NO. D202469

6246
2

8111030064

