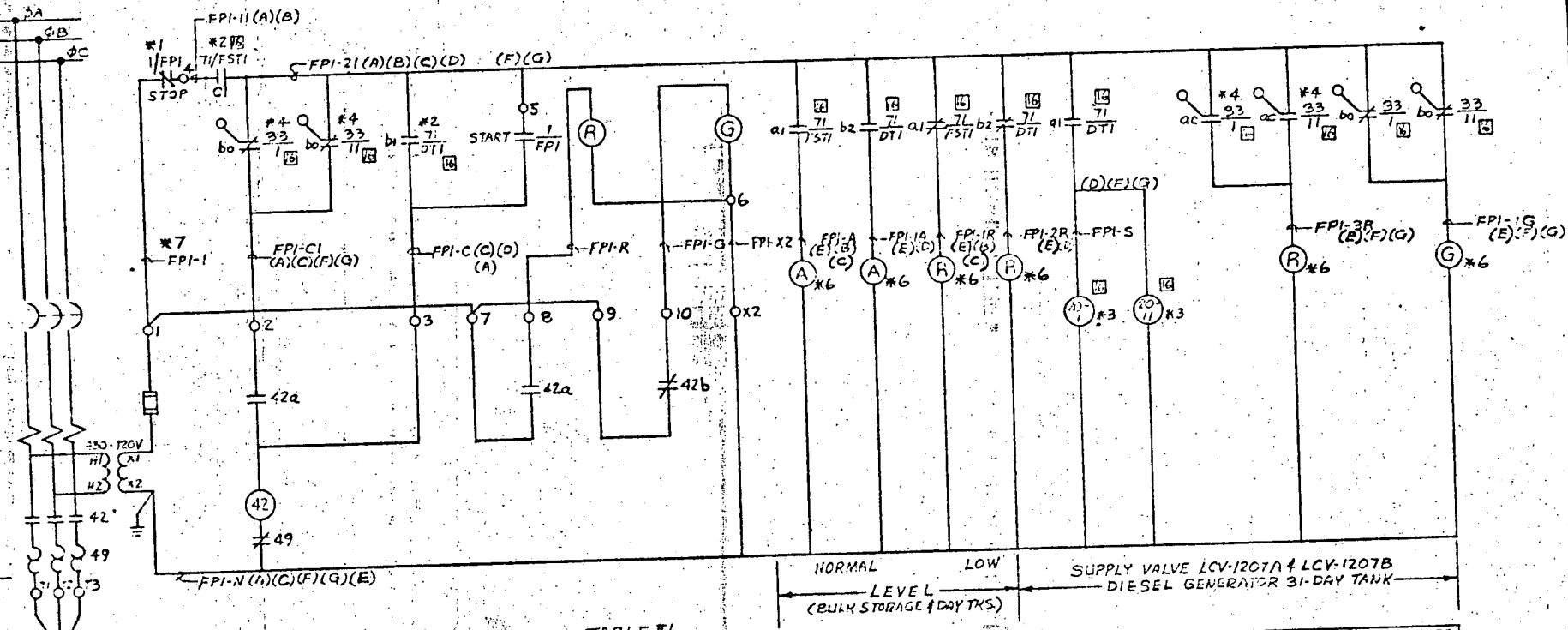


CONTROL FROM  
 20-2 (P33)  
 20-3 (P33)

IN LOCAL STARTER UNLESS OTHERWISE NOTED



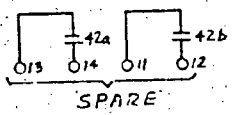
SHOWN FOR FUEL OIL PUMP 31  
 FOR ADDITIONAL PUMPS SEE TABLE #1

TABLE #1

| MCC | PUMP | CTL. SW. | SOL. OPER VALVES            | LIMIT SWITCHES             | LEVEL SWITCHES   | PREFIX WIRE NOS. WITH |
|-----|------|----------|-----------------------------|----------------------------|------------------|-----------------------|
| 36C | 31   | 1/FPI    | 20-11-20-11 (LCV 1207A & B) | 23/1, 33/11, 23/1A, 33/1-B | 71/DT1 & 71/FST1 | FPI-                  |
| 36B | 32   | 1/FP2    | 20-21-20-12 (LCV 1207A & B) | 33/2, 33/12, 23/2A, 23/2B  | 71/DT2 & 71/FST2 | FP2-                  |
| 36A | 33   | 1/FP3    | 20-3-20-13 (LCV 1207A & B)  | 33/3, 33/13, 23/3A, 23/3B  | 71/DT3 & 71/FST3 | FP3-                  |

NOTES:

- \*1 - FOR DEVICE 1/FPI, 2, 3 SEE SHT. 1 ARRGT. 1
- \*2 - FOR DEVICE 71/FST1, 2, 3 & 71/DT1, 2, 3 SEE SHT. 6
- \*3 - DEVICE 20 ENERGIZE TO CLOSE.
- \*4 - FOR DEVICE 33 DEVELOPMENT (VALVE LIM. SW.) SEE SHT. 6.
- \*5 - LETTER (A) ETC. REFERS TO CABLE SCHEMATIC SHT. 15A.
- \*6 - LOCATED IN DAY TANK CONTROL PANEL.
- \*7 - WIRE NOS. FOR D.G. # 32 TO BE PREFIXED WITH FP2 - WIRE NOS. FOR D.G. # 33 TO BE PREFIXED WITH FP3 -



NORMAL LEVEL (BULK STORAGE & DAY TKS)      LOW SUPPLY VALVE LCV-1207A & LCV-1207B DIESEL GENERATOR 31-DAY TANK

FUEL OIL PUMPS 31, 32 & 33

WESTINGHOUSE ELECTRIC CORPORATION  
 FOR CONSOLIDATED EDISON COMPANY  
 INDIAN POINT GENERATING STATION - UNIT NO. 3

SCHEMATIC DIAGRAM  
 DIESEL GENERATOR AUXILIARIES

SHEET NO. 15

|                                      |      |  |                     |
|--------------------------------------|------|--|---------------------|
| 1                                    | 31   | CONTACT 71/FST1 WAS CLOSED.                  |                     |
| 2                                    | 21   | FIRST ISSUE FOR CONSTRUCTION PER 20-21-20-12 |                     |
| 3                                    | DATE | DESCRIPTION                                  | ENGR. SUP. ENG. (W) |
| ENGINEER                             |      | [Signature]                                  |                     |
| STATE REG. NEW YORK                  |      | NO. 42453                                    |                     |
| UNITED ENGINEERS & CONSTRUCTORS INC. |      |  |                     |

U.E. & C. DWG. NO. 9321-LL-31333      CON. ED. CO. DWG. NO. D202471

8111030056

6245

