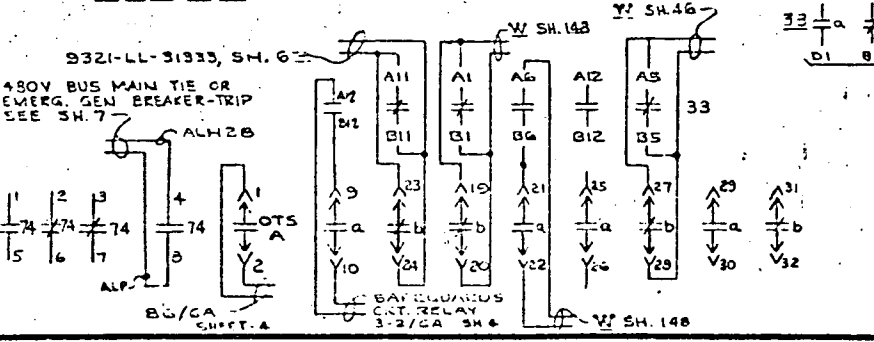


- NOTES**
- *1 - WIRE DESIGNATIONS ARE TO BE PREFIXED WITH 15B -
 - *2 - NUMBERS IN SQUARES REFER TO EQUIPMENT LOCATION. FOR LEGENDS SEE SH. 1
 - *3 - FOR DEVICE 1-1/EG2 - DEVELOPMENT SEE DEVICE 1/8, SH. 3, 9521-LL-31173
 - *4 - FOR DEVICES 52B/3AT6A & 52H/3AT6A SEE SH. 12
 - *5 - FOR DEVICES 52H/6A & 52B/6A SEE SH. 18
 - *6 - FOR DEVICES 27-6A/X3 & 8G/6A SEE SH. 4
 - *7 - FOR DEVICES 1-2/EG2 (BCS-EG2), 55-EG2, 8G/EG2, 27X1/EG2 (CVX2), K1/EG2, & RSTR/EG2 SEE U.E. & C.F.P. 9321-05-3445
 - *8 - LETTER (A) ETC. REFERS TO CABLE SCHEMATIC, SH. 17A
 - *9 - CONTACT (RSTR/EG2) RELAY NOT USED



C1	A7	C5	C2	C7	C6	C11
33	a	a	b	a	b	b
D1	87	D5	D2	D7	D4	D11
SPARES						
5	10	15	20	25	30	35
PREVIOUS REVISIONS RETAINED VIA ALPHA IN FILE NUMBER 3						
FIRST ISSUE FOR CONSTRUCTION						
DATE	DESCRIPTION	ENGR	SUP	ENG	(W)	
ENGINEER: <i>William P. Robinson</i>						
STATE REG. NEW YORK NO. 42453						
UNITED ENY						

**BREAKER 52/EG2
 EMERGENCY GENERATOR 32**

WESTINGHOUSE ELECTRIC CORPORATION
 FOR
 CONSOLIDATED EDISON COMPANY
 INDIAN POINT GENERATING STATION - UNIT NO. 3

SCHEMATIC DIAGRAM
480V. SWITCHGEAR 32

SHEET NO. 17

U.E. & C. DWG. NO. **9321-LL-31183** CON. ED. CO. DWG. NO. **D202470**

8110230264